

Adjustable voltage reference

Datasheet - production data



Features

- Adjustable output voltage: V_{REF} to 36 V
- Sink current capability: 1 to 100 mA
- Typical output impedance: 0.22 Ω
- 0.4% and 0.25% voltage precision
- Automotive temp. range - 40 °C to +125 °C

Description

The TL1431 is an adjustable shunt voltage reference with guaranteed temperature stability over the entire operating temperature range.

The output voltage may be set to any value between 2.5 V and 36 V with two external resistors.

The TL1431 operates with a wide current range from 1 to 100 mA with a typical dynamic impedance of 0.2 Ω .

Contents

| | | |
|----------|--|-----------|
| 1 | Schematic diagrams | 3 |
| 2 | Absolute maximum ratings and operating conditions | 4 |
| 3 | Electrical characteristics | 6 |
| 4 | Parameter definitions | 12 |
| 4.1 | Reference input voltage deviation overtemperature range | 12 |
| 4.2 | Temperature coefficient of reference input voltage | 12 |
| 4.3 | Dynamic impedance | 12 |
| 5 | Package information | 13 |
| 5.1 | SO-8 package information | 14 |
| 5.2 | TO-92 Ammopack package information | 15 |
| 5.3 | TO-92 (bulk) package information | 17 |
| 5.4 | SOT23-3L package information | 18 |
| 5.5 | SOT23-5L package information | 19 |
| 5.6 | SOT323-6L package information | 20 |
| 5.7 | SO-8 packing information | 21 |
| 5.8 | SOT23-3L packing information | 22 |
| 5.9 | SOT23-5L packing information | 23 |
| 5.10 | SOT323-6L packing information | 24 |
| 6 | Ordering information | 25 |
| 7 | Revision history | 26 |

1 Schematic diagrams

Figure 1. TO-92 pin connections (top view)



Figure 2. SO-8 batwing pin connections (top view)



Figure 3. SOT23-5L and SOT23-3L pin connections (top view)

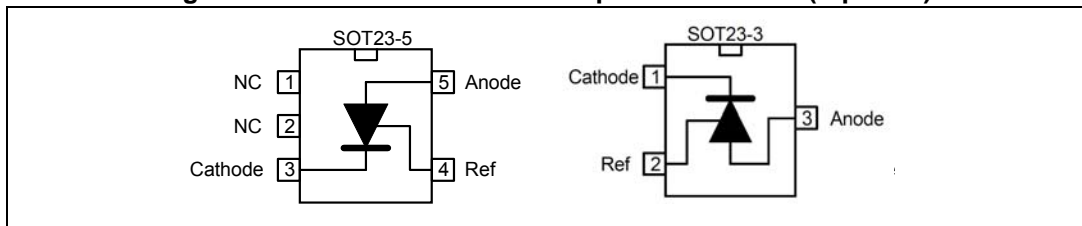
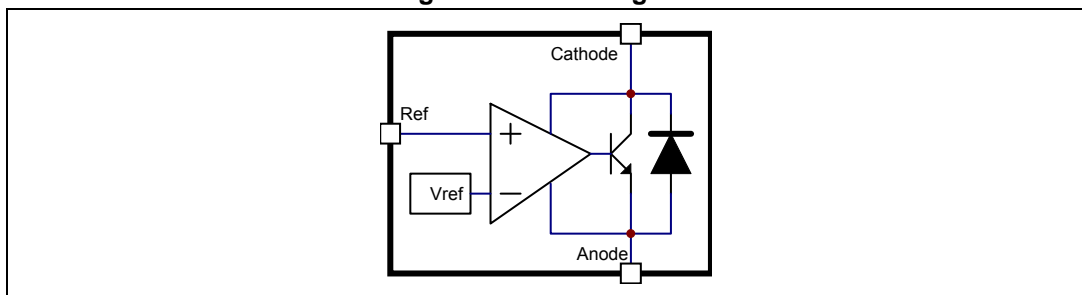


Figure 4. SOT323-6L pin connections (top view)



Figure 5. Block diagram



2 Absolute maximum ratings and operating conditions

Table 1. Absolute maximum ratings

| Symbol | Parameter | Value | Unit |
|-----------|--|--------------|------|
| V_{KA} | Cathode-to-anode voltage | 37 | V |
| I_k | Continuous cathode current range | -100 to +150 | mA |
| I_{ref} | Reference input current range | -0.05 to +10 | mA |
| T_j | Junction temperature | +150 | °C |
| P_d | Power dissipation ⁽¹⁾ | | mW |
| | TO92 | 625 | |
| | SO-8 batwing | 960 | |
| | SOT23-3L | 500 | |
| | SOT23-5L | 790 | |
| | SOT323-6L | 565 | |
| T_{stg} | Storage temperature range | -65 to +150 | °C |
| ESD | HBM: human body model ⁽²⁾ | 2000 | V |
| | MM: machine model ⁽³⁾ | 200 | |
| | CDM: charged device model ⁽⁴⁾ | 1500 | |

1. Calculated with $T_j = +150$ °C and $T_{amb} = +25$ °C with relative R_{thja} depending on the package.
2. Human body model: A 100 pF capacitor is charged to the specified voltage, then discharged through a 1.5 kΩ resistor between two pins of the device. This happens for all couples of connected pin combinations while the other pins are left floating.
3. Machine model: A 200 pF capacitor is charged to the specified voltage, then discharged directly between two pins of the device with no external series resistor (internal resistor < 5 Ω). This happens for all couples of connected pin combinations while the other pins are left floating.
4. Charged device model: all pins and the package are charged together to the specified voltage and then discharged directly to the ground through only one pin. This happens for all pins

Table 2. Operating conditions

| Symbol | Parameter | Value | Unit |
|------------|--------------------------------------|-----------------|------|
| V_{KA} | Cathode-to-anode voltage | V_{ref} to 36 | V |
| I_k | Cathode current | 1 to 100 | mA |
| T_{oper} | Operating free-air temperature range | | °C |
| | TL1431C/AC | -20 to +70 | |
| | TL1431I/AI | -40 to +105 | |
| | TL1431IY/AIY | -40 to +125 | |

Table 3. Thermal data

| Symbol | Parameter | TO-92 | SO-8 batwing | SOT23-3L | SOT23-5L | SOT323-6L | Unit |
|------------|---|-------|-----------------|----------|----------|-----------|------|
| R_{thJC} | Thermal resistance junction-case | 57 | 30 | 136 | 67 | 110 | °C/W |
| R_{thJA} | Thermal resistance junction-ambient | 200 | 85 | 248 | 157 | 221 | |

3 Electrical characteristics

$T_{amb} = 25\text{ °C}$ (unless otherwise specified).

Table 4. Electrical characteristics for TL1431C, TL1431AC

| Symbol | Parameter | TL1431C | | | TL1431AC | | | Unit |
|--|---|---------|----------|----------|----------|----------|----------|---------------|
| | | Min. | Typ. | Max. | Min. | Typ. | Max. | |
| V_{ref} | Reference input voltage - see Figure 6 $V_{KA} = V_{ref}$, $I_k = 10\text{ mA}$ | 2.490 | 2.500 | 2.510 | 2.493 | 2.500 | 2.507 | V |
| ΔV_{ref} | Reference input voltage deviation over temperature range ⁽¹⁾ - see Figure 6 $V_{KA} = V_{ref}$, $I_k = 10\text{ mA}$, $T_{min} \leq T_{amb} \leq T_{max}$ | | 3 | 20 | | 3 | 20 | mV |
| $\frac{\Delta V_{ref}}{\Delta T}$ | Temperature coefficient of reference input voltage ⁽²⁾ $V_{KA} = V_{ref}$, $I_k = 10\text{ mA}$, $T_{min} \leq T_{amb} \leq T_{max}$ | | ± 13 | ± 90 | | ± 13 | ± 90 | ppm/°C |
| $\frac{\Delta V_{ref}}{\Delta V_{ka}}$ | Ratio of change in reference input voltage to change in cathode to anode voltage (see Figure 7) $I_k = 10\text{ mA}$ - $\Delta V_{KA} = 36\text{ V}$ to 3 V | -2 | -1.1 | | -2 | -1.1 | | mV/V |
| I_{ref} | Reference input current $I_k = 10\text{ mA}$, $R1 = 10\text{ k}\Omega$, $R2 = \infty$ $T_{min} \leq T_{amb} \leq T_{max}$ | | 1.5 | 2.5 3 | | 1.5 | 2.5 3 | μA |
| ΔI_{ref} | Reference input current deviation over temperature range $I_k = 10\text{ mA}$, $R1 = 10\text{ k}\Omega$, $R2 = \infty$, $T_{min} \leq T_{amb} \leq T_{max}$ | | 0.2 | 1.2 | | 0.2 | 1.2 | μA |
| I_{min} | Minimum cathode current for regulation Figure 6 $V_{KA} = V_{ref}$ | | 0.5 | 1 | | 0.5 | 0.6 | mA |
| I_{off} | Off-state cathode current (see Figure 8) | | 180 | 500 | | 180 | 500 | nA |
| $ Z_{KA} $ | Dynamic impedance ⁽³⁾ $V_{KA} = V_{ref}$, $\Delta I_k = 1\text{ to }100\text{ mA}$, $f \leq 1\text{ kHz}$ | | 0.2 | 0.5 | | 0.2 | 0.5 | Ω |

1. See [Reference input voltage deviation overtemperature range](#) in [Section 4: Parameter definitions on page 12](#).

2. See [Temperature coefficient of reference input voltage](#) in [Section 4: Parameter definitions on page 12](#).

3. See [Dynamic impedance](#) in [Section 4: Parameter definitions on page 12](#).

$T_{amb} = 25\text{ °C}$ (unless otherwise specified).

Table 5. Electrical characteristics for TL1431I, TL1431AI

| Symbol | Parameter | TL1431I | | | TL1431AI | | | Unit |
|--|---|---------|-------|----------|----------|-------|----------|--------|
| | | Min. | Typ. | Max. | Min. | Typ. | Max. | |
| V_{ref} | Reference input voltage - see Figure 6 $V_{KA} = V_{ref}$, $I_k = 10\text{ mA}$ | 2.490 | 2.500 | 2.510 | 2.493 | 2.500 | 2.507 | V |
| ΔV_{ref} | Reference input voltage deviation over temperature range ⁽¹⁾ - see Figure 6 $V_{KA} = V_{ref}$, $I_k = 10\text{ mA}$, $T_{min} \leq T_{amb} \leq T_{max}$ | | 7 | 30 | | 7 | 30 | mV |
| $\frac{\Delta V_{ref}}{\Delta T}$ | Temperature coefficient of reference input voltage ⁽²⁾ $V_{KA} = V_{ref}$, $I_k = 10\text{ mA}$, $T_{min} \leq T_{amb} \leq T_{max}$ | | ±22 | ±100 | | ±22 | ±100 | ppm/°C |
| $\frac{\Delta V_{ref}}{\Delta V_{ka}}$ | Ratio of change in reference input voltage to change in cathode to anode voltage - see Figure 7 $I_k = 10\text{ mA}$ - $\Delta V_{KA} = 36\text{ V}$ to 3 V | -2 | -1.1 | | -2 | -1.1 | | mV/V |
| I_{ref} | Reference input current $I_k = 10\text{ mA}$, $R1 = 10\text{ k}\Omega$, $R2 = \infty$ $T_{min} \leq T_{amb} \leq T_{max}$ | | 1.5 | 2.5 3 | | 1.5 | 2.5 3 | μA |
| ΔI_{ref} | Reference input current deviation over temperature range $I_k = 10\text{ mA}$, $R1 = 10\text{ k}\Omega$, $R2 = \infty$, $T_{min} \leq T_{amb} \leq T_{max}$ | | 0.5 | 1 | | 0.8 | 1.2 | μA |
| I_{min} | Minimum cathode current for regulation - see Figure 6 $V_{KA} = V_{ref}$ | | 0.5 | 1 | | 0.5 | 0.7 | mA |
| I_{off} | Off-state cathode current - see Figure 8 | | 180 | 500 | | 180 | 500 | nA |
| $ Z_{KA} $ | Dynamic impedance ⁽³⁾ $V_{KA} = V_{ref}$, $\Delta I_k = 1\text{ to }100\text{ mA}$, $f \leq 1\text{ kHz}$ | | 0.2 | 0.5 | | 0.2 | 0.5 | Ω |

1. See [Reference input voltage deviation over temperature range](#) in [Section 4: Parameter definitions on page 12](#).
2. See [Temperature coefficient of reference input voltage](#) in [Section 4: Parameter definitions on page 12](#).
3. See [Dynamic impedance](#) in [Section 4: Parameter definitions on page 12](#).

$T_{amb} = 25\text{ °C}$ (unless otherwise specified).

Table 6. Electrical characteristics for TL1431IY, TL1431AIY

| Symbol | Parameter | TL1431IY | | | TL1431AIY | | | Unit |
|--|---|----------|-------|----------|-----------|-------|----------|--------|
| | | Min. | Typ. | Max. | Min. | Typ. | Max. | |
| V_{ref} | Reference input voltage - see Figure 6 $V_{KA} = V_{ref}$, $I_k = 10\text{ mA}$ | 2.490 | 2.500 | 2.510 | 2.493 | 2.500 | 2.507 | V |
| ΔV_{ref} | Reference input voltage deviation over temperature range ⁽¹⁾ - see Figure 6 $V_{KA} = V_{ref}$, $I_k = 10\text{ mA}$, $T_{min} \leq T_{amb} \leq T_{max}$ | | 7 | 30 | | 7 | 30 | mV |
| $\frac{\Delta V_{ref}}{\Delta T}$ | Temperature coefficient of reference input voltage ⁽²⁾ $V_{KA} = V_{ref}$, $I_k = 10\text{ mA}$, $T_{min} \leq T_{amb} \leq T_{max}$ | | ±22 | ±100 | | ±22 | ±100 | ppm/°C |
| $\frac{\Delta V_{ref}}{\Delta V_{KA}}$ | Ratio of change in reference input voltage to change in cathode to anode voltage - see Figure 7 $I_k = 10\text{ mA}$ - $\Delta V_{KA} = 36\text{ V}$ to 3 V | -2 | -1.1 | | -2 | -1.1 | | mV/V |
| I_{ref} | Reference input current $I_k = 10\text{ mA}$, $R1 = 10\text{ k}\Omega$, $R2 = \infty$ $T_{min} \leq T_{amb} \leq T_{max}$ | | 1.5 | 2.5 3 | | 1.5 | 2.5 3 | μA |
| ΔI_{ref} | Reference input current deviation over temperature range $I_k = 10\text{ mA}$, $R1 = 10\text{ k}\Omega$, $R2 = \infty$, $T_{min} \leq T_{amb} \leq T_{max}$ | | 0.5 | 1 | | 0.8 | 1.2 | μA |
| I_{min} | Minimum cathode current for regulation - see Figure 6 $V_{KA} = V_{ref}$ | | 0.5 | 1 | | 0.5 | 0.7 | mA |
| I_{off} | Off-state cathode current - see Figure 8 | | 180 | 500 | | 180 | 500 | nA |
| $ Z_{KA} $ | Dynamic impedance ⁽³⁾ $V_{KA} = V_{ref}$, $\Delta I_k = 1\text{ to }100\text{ mA}$, $f \leq 1\text{ kHz}$ | | 0.2 | 0.5 | | 0.2 | 0.5 | Ω |

1. See [Reference input voltage deviation over temperature range](#) in [Section 4: Parameter definitions on page 12](#).
2. See [Temperature coefficient of reference input voltage](#) in [Section 4: Parameter definitions on page 12](#).
3. See [Dynamic impedance](#) in [Section 4: Parameter definitions on page 12](#).

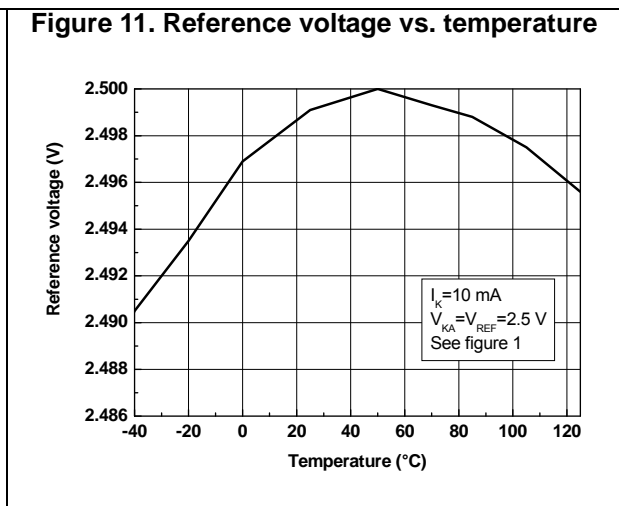
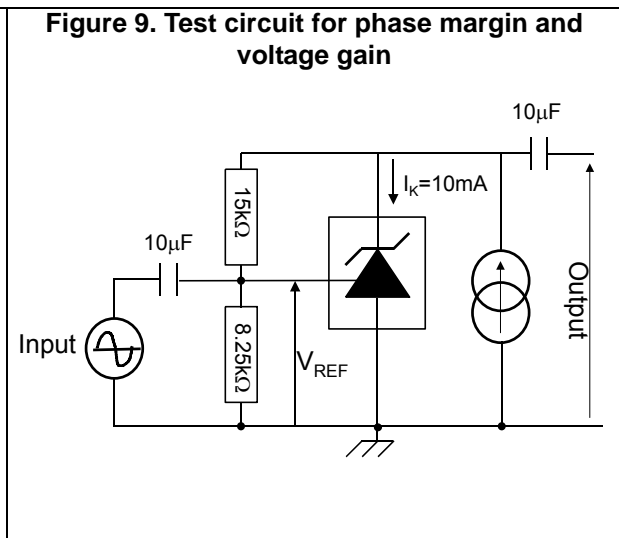
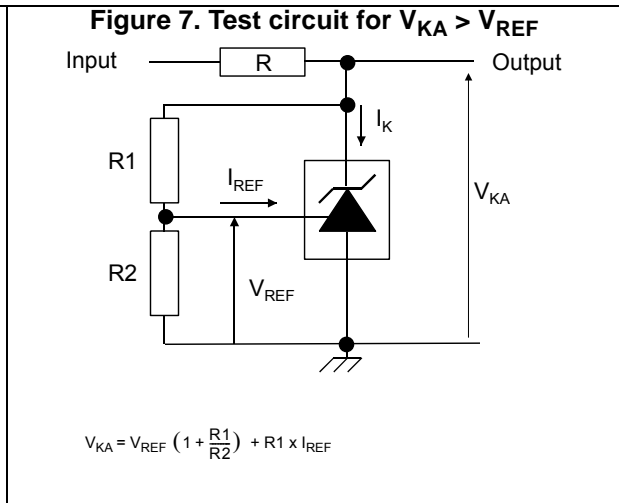


Figure 12. Reference voltage vs. cathode current

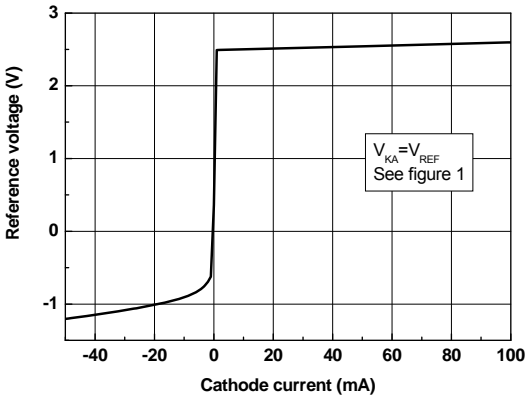


Figure 13. Reference voltage vs. cathode current ($I_K = 0$ to 1 mA)

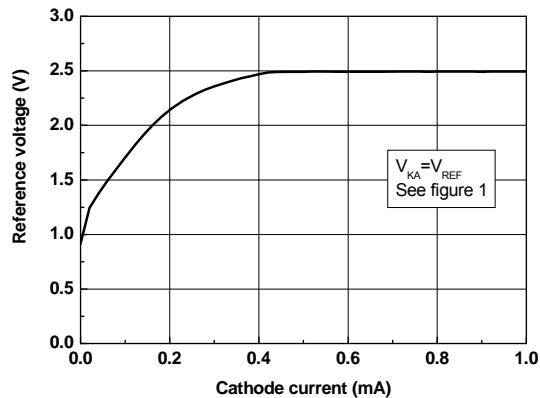


Figure 14. Reference current vs. temperature



Figure 15. Off-state cathode current vs. temperature



Figure 16. Ratio of change in V_{REF} to change in V_{KA} vs. temperature



Figure 17. Drift of R_{KA} vs. temperature



Figure 18. Maximum operating current vs. temperature



Figure 19. Gain and phase vs. frequency



Figure 20. Stability behavior with capacitive loads



Figure 21. Maximum power dissipation



Figure 22. Pulse response for $I_K = 1$ mA



4 Parameter definitions

4.1 Reference input voltage deviation overtemperature range

ΔV_{ref} is defined as the difference between the maximum and minimum values obtained over the full temperature range.

$$\Delta V_{ref} = V_{ref\ max.} - V_{ref\ min.}$$

Figure 23. Reference input voltage deviation overtemperature range



4.2 Temperature coefficient of reference input voltage

The temperature coefficient is defined as the slopes (positive and negative) of the voltage versus temperature limits within which the reference is guaranteed.

Figure 24. Temperature coefficient of reference input voltage



4.3 Dynamic impedance

The dynamic impedance is defined as $|Z_{KA}| = \frac{\Delta V_{KA}}{\Delta I_K}$

5 Package information

In order to meet environmental requirements, ST offers these devices in different grades of ECOPACK[®] packages, depending on their level of environmental compliance. ECOPACK[®] specifications, grade definitions and product status are available at: www.st.com. ECOPACK[®] is an ST trademark.

5.1 SO-8 package information

Figure 25. SO-8 package outline

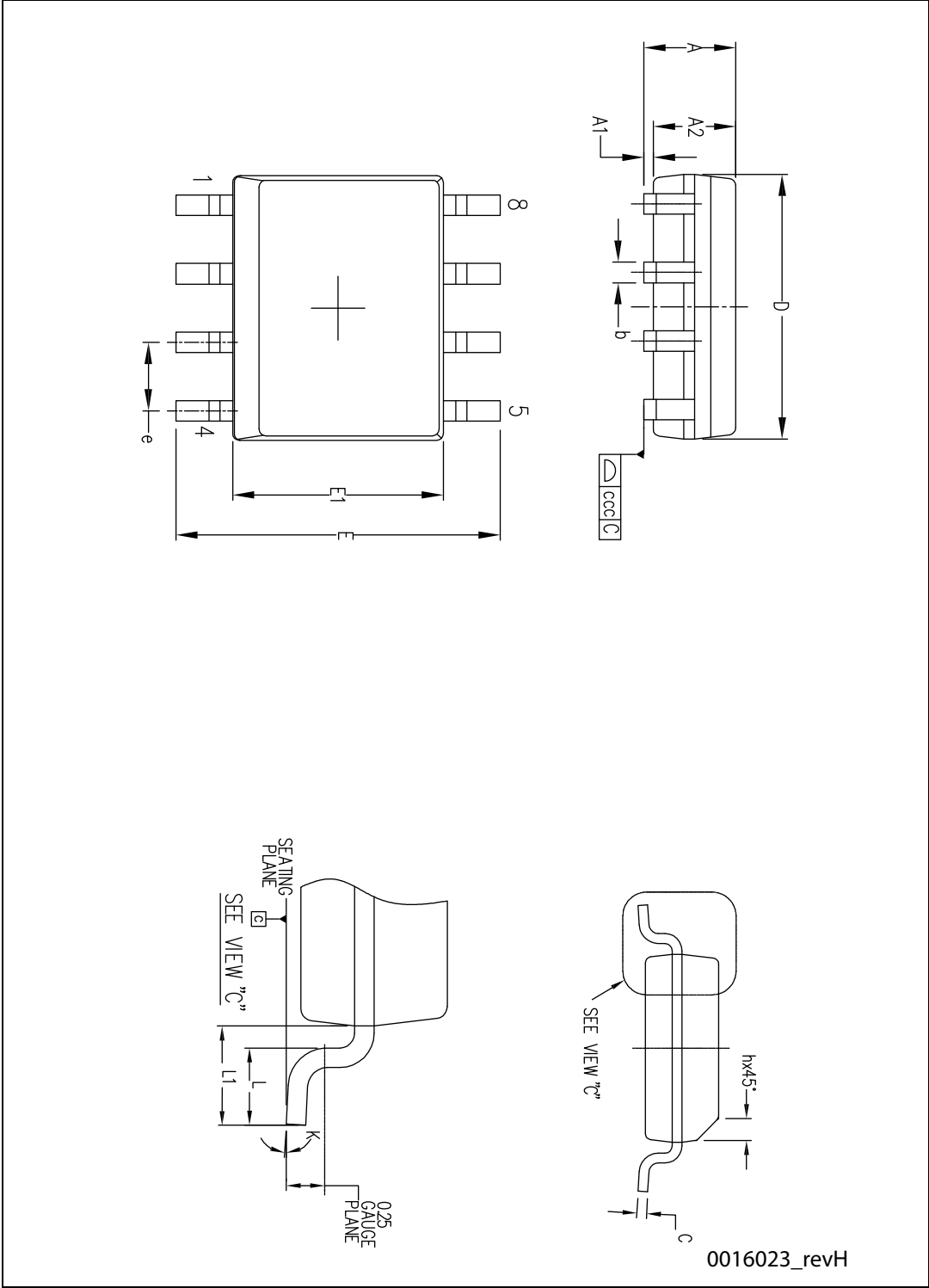


Table 7. SO-8 package mechanical data

| Dim. | mm | | |
|------|------|------|------|
| | Min. | Typ. | Max. |
| A | | | 1.75 |
| A1 | 0.10 | | 0.25 |
| A2 | 1.25 | | |
| b | 0.28 | | 0.48 |
| c | 0.17 | | 0.23 |
| D | 4.80 | 4.90 | 5.00 |
| E | 5.80 | 6.00 | 6.20 |
| E1 | 3.80 | 3.90 | 4.00 |
| e | | 1.27 | |
| h | 0.25 | | 0.50 |
| L | 0.40 | | 1.27 |
| L1 | | 1.04 | |
| k | 0 | | 8 |
| ccc | | | 0.10 |

5.2 TO-92 Ammopack package information

Figure 26. TO-92 Ammopack package outline



Table 8. TO-92 Ammopack package mechanical data

| Dim. | Millimeters | | | Inches | | |
|------------|-------------|------|------|--------|-------|-------|
| | Min. | Typ. | Max. | Min. | Typ. | Max. |
| A1 | | | 5.0 | | | 0.197 |
| A | | | 5.0 | | | 0.197 |
| T | | | 4.0 | | | 0.157 |
| d | | 0.45 | | | 0.018 | |
| l1 | 2.5 | | | 0.098 | | |
| P | 11.7 | 12.7 | 13.7 | 0.461 | 0.500 | 0.539 |
| PO | 12.4 | 12.7 | 13 | 0.488 | 0.500 | 0.512 |
| P2 | 5.95 | 6.35 | 6.75 | 0.234 | 0.250 | 0.266 |
| F1/F2 | 2.4 | 2.5 | 2.8 | 0.094 | 0.098 | 0.110 |
| Δh | -1 | 0 | 1 | -0.039 | 0 | 0.039 |
| ΔP | -1 | 0 | 1 | -0.039 | 0 | 0.039 |
| W | 17.5 | 18.0 | 19.0 | 0.689 | 0.709 | 0.748 |
| W0 | 5.7 | 6 | 6.3 | 0.224 | 0.236 | 0.248 |
| W1 | 8.5 | 9 | 9.75 | 0.335 | 0.354 | 0.384 |
| W2 | | | 0.5 | | | 0.020 |
| H | | | 20 | | | 0.787 |
| H0 | 15.5 | 16 | 16.5 | 0.610 | 0.630 | 0.650 |
| H1 | | | 25 | | | 0.984 |
| DO | 3.8 | 4.0 | 4.2 | 0.150 | 0.157 | 0.165 |
| L1 | | | 11 | | | 0.433 |

5.3 TO-92 (bulk) package information

Figure 27. TO-92 bulk package outline



Table 9. TO-92 bulk package mechanical data

| Dim. | Millimeters | | | Inches | | |
|------|-------------|------|------|--------|-------|-------|
| | Min. | Typ. | Max. | Min. | Typ. | Max. |
| A | | 1.35 | | | 0.053 | |
| B | | | 4.70 | | | 0.185 |
| C | | 2.54 | | | 0.100 | |
| D | 4.40 | | | 0.173 | | |
| E | 12.70 | | | 0.500 | | |
| F | | | 3.70 | | | 0.146 |
| a | | | 0.5 | | | 0.019 |

5.4 SOT23-3L package information

Figure 28. SOT23-3L package outline



Table 10. SOT23-3L package mechanical data

| Dimensions | | | | | | |
|------------|-------------|------|------|--------|-------|-------|
| Ref. | Millimeters | | | Inches | | |
| | Min. | Typ. | Max. | Min. | Typ. | Max. |
| A | 0.89 | | 1.12 | 0.035 | | 0.044 |
| A1 | 0.01 | | 0.10 | 0.0004 | | 0.004 |
| A2 | 0.88 | 0.95 | 1.02 | 0.035 | 0.037 | 0.040 |
| b | 0.30 | | 0.50 | 0.012 | | 0.020 |
| c | 0.08 | | 0.20 | 0.003 | | 0.008 |
| D | 2.80 | 2.90 | 3.04 | 0.110 | 0.114 | 0.120 |
| E | 2.10 | | 2.64 | 0.083 | | 0.104 |
| E1 | 1.20 | 1.30 | 1.40 | 0.047 | 0.051 | 0.055 |
| e | | 0.95 | | | 0.037 | |
| e1 | | 1.90 | | | 0.075 | |
| L | 0.40 | 0.50 | 0.60 | 0.016 | 0.020 | 0.024 |
| L1 | | 0.54 | | | 0.021 | |
| k | 0d | | 8d | | | |

5.5 SOT23-5L package information

Figure 29. SOT23-5L package outline



Table 11. SOT23-5L package mechanical data

| Ref. | Dimensions | | | | | |
|------|-------------|------|------------|--------|-------|-------|
| | Millimeters | | | Inches | | |
| | Min. | Typ. | Max. | Min. | Typ. | Max. |
| A | 0.90 | | 1.45 | 0.035 | | 0.057 |
| A1 | | | 0.15 | | | 0.006 |
| A2 | 0.90 | | 1.30 | 0.035 | | 0.051 |
| b | 0.35 | | 0.50 | 0.014 | | 0.020 |
| c | 0.09 | | 0.20 | 0.004 | | 0.008 |
| D | 2.80 | | 3.05 | 0.110 | | 0.120 |
| E | 1.50 | | 1.75 | 0.059 | | 0.069 |
| e | | 0.95 | | | 0.037 | |
| H | 2.60 | | 3.00 | 0.102 | | 0.118 |
| L | 0.10 | | 0.60 | 0.004 | | 0.024 |
| θ | 0 degrees | | 10 degrees | | | |

5.6 SOT323-6L package information

Figure 30. SOT323-6L package outline



7095021_E

Table 12. SOT323-6L package mechanical data

| Ref. | Dimensions | | | | | |
|------|-------------|------|------|--------|-------|-------|
| | Millimeters | | | Inches | | |
| | Min. | Typ. | Max. | Min. | Typ. | Max. |
| A | 0.80 | | 1.10 | 0.031 | | 0.043 |
| A1 | 0 | | 0.10 | | | 0.004 |
| A2 | 0.80 | | 1.00 | 0.031 | | 0.039 |
| b | 0.15 | | 0.30 | 0.006 | | 0.012 |
| c | 0.10 | | 0.18 | 0.004 | | 0.007 |
| D | 1.80 | | 2.20 | 0.071 | | 0.087 |
| E | 1.15 | | 1.35 | 0.045 | | 0.053 |
| e | | 0.65 | | | 0.026 | |
| HE | 1.80 | | 2.40 | 0.071 | | 0.094 |
| L | 0.10 | | 0.40 | 0.004 | | 0.016 |
| Q1 | 0.10 | | 0.40 | 0.004 | | 0.016 |

5.7 SO-8 packing information

Figure 31. SO-8 tape and reel outline

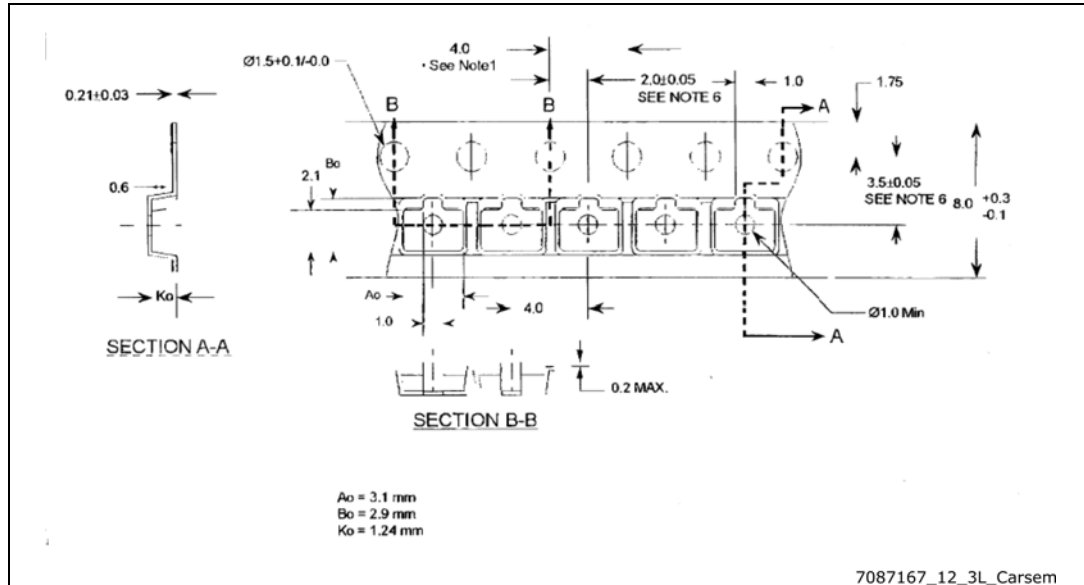


Table 13. SO-8 tape and reel mechanical data

| Dim. | mm | | |
|------|------|------|------|
| | Min. | Typ. | Max. |
| A | | - | 330 |
| C | 12.8 | - | 13.2 |
| D | 20.2 | - | |
| N | 60 | - | |
| T | | - | 22.4 |
| Ao | 8.1 | - | 8.5 |
| Bo | 5.5 | - | 5.9 |
| Ko | 2.1 | - | 2.3 |
| Po | 3.9 | - | 4.1 |
| P | 7.9 | - | 8.1 |

5.8 SOT23-3L packing information

Figure 32. SOT23-3L tape outline (Carsem)



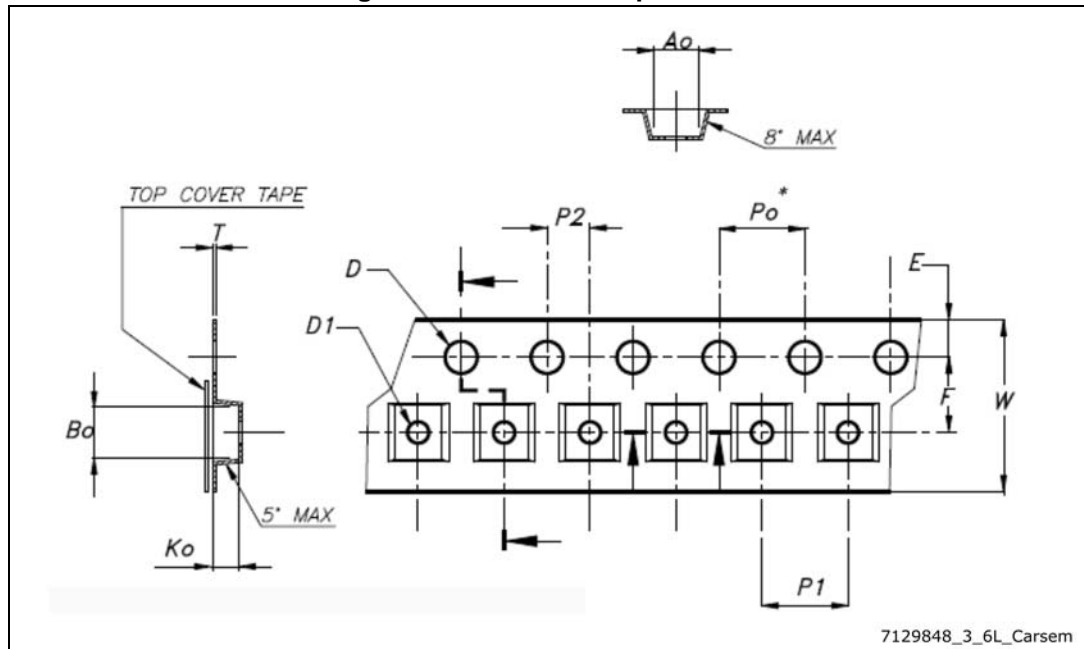
5.9 SOT23-5L packing information

Figure 33. SOT23-5L tape outline (Carsem)



5.10 SOT323-6L packing information

Figure 34. SOT323-6L tape outline



7129848_3_6L_Carsem

Table 14. SOT323-6L tape mechanical data

| Dim. | Value |
|-------|----------------------|
| A_0 | 2.25 ± 0.1 |
| B_0 | 2.4 ± 0.1 |
| K_0 | 1.22 ± 0.1 |
| F | 3.5 ± 0.05 |
| E | 1.75 ± 0.1 |
| W | $8 + 0.3 / - 0.1$ |
| P_2 | 2 ± 0.05 |
| P_0 | 4 ± 0.1 |
| P_1 | 4 ± 0.1 |
| T | 0.30 ± 0.05 |
| D | $\phi 1.5 + 0.1 / 0$ |
| D_1 | $\phi 1 + 0.25 / 0$ |

6 Ordering information

Table 15. Order code

| Order code | Accuracy (%) | Temperature range | Package | Packing | Marking |
|---|--------------|-------------------|-----------|--------------------------------|----------------------------|
| TL1431CD TL1431CDT | 0.4 | - 20 °C, +70 °C | SO-8 | Tube or tape and reel | 1431C |
| TL1431ACD TL1431ACDT | 0.25 | | | | 1431AC |
| TL1431CZ TL1431CZT TL1431CZ-AP | 0.4 | | TO-92 | Bulk or tape or Ammopack | TL1431C |
| TL1431ACZ TL1431ACZT TL1431ACZ-AP | 0.25 | | | | TL1431AC |
| TL1431CL3T | 0.4 | | SOT23-3L | Tape and reel | 1C |
| TL1431ACL3T | 0.25 | | | | 1AC |
| TL1431CL5T | 0.4 | | SOT23-5L | | 1C |
| TL1431ACL5T | 0.25 | | | | 1AC |
| TL1431CCT | 0.4 | | SOT323-6L | | 14C |
| TL1431ACCT | 0.25 | | | | |
| TL1431ID TL1431IDT | 0.4 | -40 °C, + 105 °C | SO-8 | Tube or tape and reel | 1431I |
| TL1431AID TL1431AIDT | 0.25 | | | | 1431AI |
| TL1431IZ TL1431IZT TL1431IZ-AP | 0.4 | | TO-92 | Bulk or tape or Ammopack | TL1431I |
| TL1431AIZ TL1431AIZT TL1431AIZ-AP | 0.25 | | | | TL1431AI |
| TL1431IYDT ⁽¹⁾ | 0.4 | | | | SO-8 (automotive grade) |
| TL1431AIYDT ⁽¹⁾ | 0.25 | | 1431AIY | | |

1. Qualification and characterization according to AEC Q100 and Q003 or equivalent, advanced screening according to AEC Q001 and Q 002 or equivalent.

7 Revision history

Table 16. Document revision history

| Date | Revision | Changes |
|-------------|----------|---|
| 01-Mar-2002 | 1 | Initial release. |
| 01-Nov-2005 | 2 | PPAP references inserted in the datasheet see Table 13: Order code on page 25. |
| 25-Apr-2007 | 3 | Minimum value for temperature range updated in Table 2: Operating conditions. Minimum values added and maximum values deleted for $\frac{\Delta V_{ref}}{\Delta V_{ka}}$ parameter in Table 4 in Section 3: Electrical characteristics. Package information for TO92 tape and reel updated, see Section 5: Package information. Format update. |
| 11-Mar-2008 | 4 | Corrected SO-8 package mechanical data. Corrected footnote for automotive grade order codes in order code table. Corrected packing information for TO92 devices in order code table. |
| 11-Sep-2012 | 5 | Added: feature Automotive temp. range - 40 °C to +125 °C on page 1. Updated: Table 14 on page 25. |
| 01-Oct-2014 | 6 | Updated Section 5: Package information. Minor text changes. |
| 20-Nov-2015 | 7 | Added SOT23-3L, SOT23-5L and SOT323-6L packages. Updated <i>Section 1: Schematic diagrams</i> , <i>Section 2: Absolute maximum ratings and operating conditions</i> , <i>Section 5: Package information</i> and <i>Section 6: Ordering information</i> . Minor text changes. |
| 30-Aug-2017 | 8 | Added Table 3: Thermal data. Minor text changes. |
| 06-Dec-2017 | 9 | Updated title on the cover page. |

IMPORTANT NOTICE – PLEASE READ CAREFULLY

STMicroelectronics NV and its subsidiaries ("ST") reserve the right to make changes, corrections, enhancements, modifications, and improvements to ST products and/or to this document at any time without notice. Purchasers should obtain the latest relevant information on ST products before placing orders. ST products are sold pursuant to ST's terms and conditions of sale in place at the time of order acknowledgement.

Purchasers are solely responsible for the choice, selection, and use of ST products and ST assumes no liability for application assistance or the design of Purchasers' products.

No license, express or implied, to any intellectual property right is granted by ST herein.

Resale of ST products with provisions different from the information set forth herein shall void any warranty granted by ST for such product.

ST and the ST logo are trademarks of ST. All other product or service names are the property of their respective owners.

Information in this document supersedes and replaces information previously supplied in any prior versions of this document.

© 2017 STMicroelectronics – All rights reserved

Данный компонент на территории Российской Федерации

Вы можете приобрести в компании MosChip.

Для оперативного оформления запроса Вам необходимо перейти по данной ссылке:

<http://moschip.ru/get-element>

Вы можете разместить у нас заказ для любого Вашего проекта, будь то серийное производство или разработка единичного прибора.

В нашем ассортименте представлены ведущие мировые производители активных и пассивных электронных компонентов.

Нашей специализацией является поставка электронной компонентной базы двойного назначения, продукции таких производителей как XILINX, Intel (ex.ALTERA), Vicor, Microchip, Texas Instruments, Analog Devices, Mini-Circuits, Amphenol, Glenair.

Сотрудничество с глобальными дистрибьюторами электронных компонентов, предоставляет возможность заказывать и получать с международных складов практически любой перечень компонентов в оптимальные для Вас сроки.

На всех этапах разработки и производства наши партнеры могут получить квалифицированную поддержку опытных инженеров.

Система менеджмента качества компании отвечает требованиям в соответствии с ГОСТ Р ИСО 9001, ГОСТ РВ 0015-002 и ЭС РД 009

Офис по работе с юридическими лицами:

105318, г.Москва, ул.Щербаковская д.3, офис 1107, 1118, ДЦ «Щербаковский»

Телефон: +7 495 668-12-70 (многоканальный)

Факс: +7 495 668-12-70 (доб.304)

E-mail: info@moschip.ru

Skype отдела продаж:

moschip.ru

moschip.ru_4

moschip.ru_6

moschip.ru_9