

## Ultralow Noise 0.37GHz to 6.39GHz Fractional-N Synthesizer with Integrated VCO

### FEATURES

- Low Noise Fractional-N PLL with Integrated VCO
- No  $\Delta$ - $\Sigma$  Modulator Spurs
- 18-Bit Fractional Denominator
- -226 dBc/Hz Normalized In-Band Phase Noise Floor
- -274 dBc/Hz Normalized In-Band 1/f Noise
- -157 dBc/Hz Wideband Output Phase Noise Floor
- Excellent Integer Boundary Spurious Performance
- Output Divider (1 to 6, 50% Duty Cycle)
- Output Buffer Muting
- Reference Input Frequency Up to 425MHz
- Fast Frequency Switching
- FracNWizard™ Software Design Tool Support

### APPLICATIONS

- Wireless Basestations (LTE, WiMAX, W-CDMA, PCS)
- Microwave Data Links
- Military and Secure Radio
- Test and Measurement

LT, LT, LTC, LTM, Linear Technology and the Linear logo are registered trademarks and FracNWizard is a trademark of Analog Devices, Inc. All other trademarks are the property of their respective owners.

### DESCRIPTION

The LTC6948 is a high performance, low noise, 6.39GHz phase-locked loop (PLL) with a fully integrated VCO, including a reference divider, phase-frequency detector (PFD), ultralow noise charge pump, fractional feedback divider, and VCO output divider.

The fractional divider uses an advanced, 4th order  $\Delta$  $\Sigma$  modulator which provides exceptionally low spurious levels. This allows wide loop bandwidths, producing extremely low integrated phase noise values.

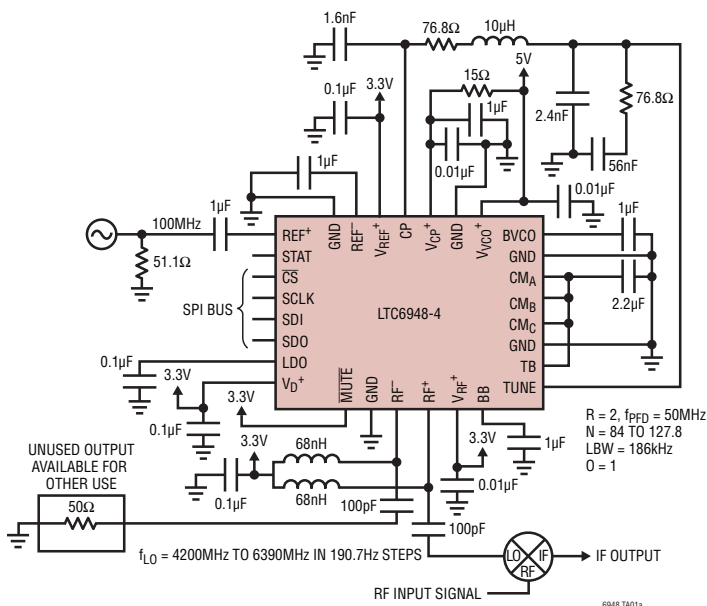
The programmable VCO output divider, with a range of 1 through 6, extends the output frequency range.

#### Output Frequency Options

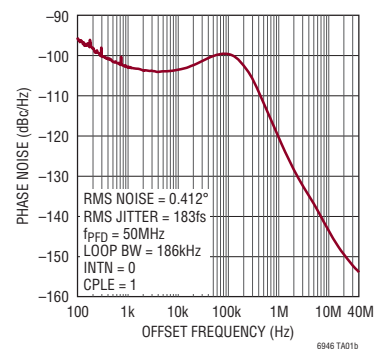
	LTC6948-1	LTC6948-2	LTC6948-3	LTC6948-4
O_DIV = 1	2.240 to 3.740	3.080 to 4.910	3.840 to 5.790	4.200 to 6.390
O_DIV = 2	1.120 to 1.870	1.540 to 2.455	1.920 to 2.895	2.100 to 3.195
O_DIV = 3	0.747 to 1.247	1.027 to 1.637	1.280 to 1.930	1.400 to 2.130
O_DIV = 4	0.560 to 0.935	0.770 to 1.228	0.960 to 1.448	1.050 to 1.598
O_DIV = 5	0.448 to 0.748	0.616 to 0.982	0.768 to 1.158	0.840 to 1.278
O_DIV = 6	0.373 to 0.623	0.513 to 0.818	0.640 to 0.965	0.700 to 1.065

### TYPICAL APPLICATION

#### 6.3GHz Wideband Receiver



LTC6948-4 Phase Noise,  $f_{RF} = 6236\text{MHz}$



# LTC6948

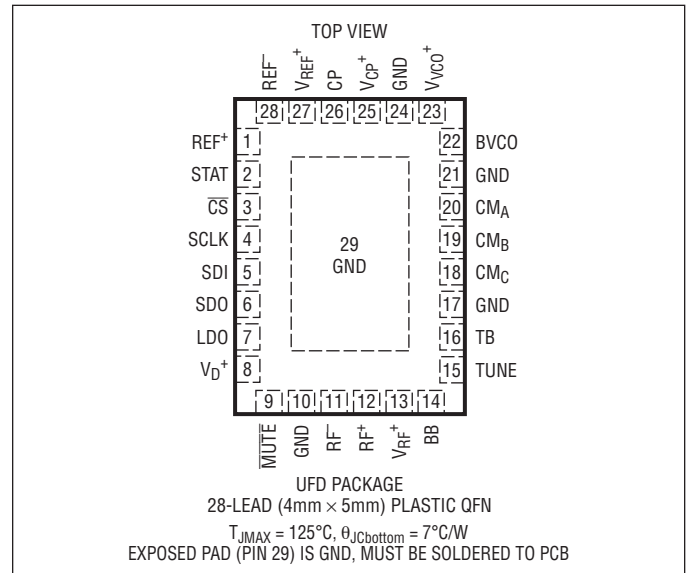
## ABSOLUTE MAXIMUM RATINGS

(Note 1)

### Supply Voltages

$V^+$ ( $V_{REF}^+$ , $V_{RF}^+$ , $V_D^+$ ) to GND.....	3.6V
$V_{CP}^+$ , $V_{VCO}^+$ to GND.....	5.5V
Voltage on CP Pin.....	GND – 0.3V to $V_{CP}^+$ + 0.3V
Voltage on all other Pins.....	GND – 0.3V to $V^+$ + 0.3V
Operating Junction Temperature Range, $T_J$ (Note 2)	
LTC6948I.....	–40°C to 105°C
Junction Temperature, $T_{JMAX}$ .....	125°C
Storage Temperature Range.....	–65°C to 150°C

## PIN CONFIGURATION



## ORDER INFORMATION

<http://www.linear.com/product/LTC6948#orderinfo>

LEAD FREE FINISH	TAPE AND REEL	PART MARKING	PACKAGE DESCRIPTION	JUNCTION TEMPERATURE RANGE
LTC6948IUFD-1#PBF	LTC6948IUFD-1#TRPBF	69481	28-Lead (4mm × 5mm) Plastic QFN	–40°C to 105°C
LTC6948IUFD-2#PBF	LTC6948IUFD-2#TRPBF	69482	28-Lead (4mm × 5mm) Plastic QFN	–40°C to 105°C
LTC6948IUFD-3#PBF	LTC6948IUFD-3#TRPBF	69483	28-Lead (4mm × 5mm) Plastic QFN	–40°C to 105°C
LTC6948IUFD-4#PBF	LTC6948IUFD-4#TRPBF	69484	28-Lead (4mm × 5mm) Plastic QFN	–40°C to 105°C

Consult LTC Marketing for parts specified with wider operating temperature ranges.

Consult LTC Marketing for information on nonstandard lead based finish parts.

For more information on lead free part marking, go to: <http://www.linear.com/leadfree/>

For more information on tape and reel specifications, go to: <http://www.linear.com/tapeandreeel/>

## AVAILABLE OPTIONS

VCO FREQUENCY RANGE (GHz)	PACKAGE STYLE QFN-28 (UFD28)	OUTPUT FREQUENCY RANGE vs OUTPUT DIVIDER SETTING (GHz)					
		0 DIV = 6	0 DIV = 5	0 DIV = 4	0 DIV = 3	0 DIV = 2	0 DIV = 1
2.240 to 3.740	LTC6948IUFD-1	0.373 to 0.623	0.448 to 0.748	0.560 to 0.935	0.747 to 1.247	1.120 to 1.870	2.240 to 3.740
3.080 to 4.910	LTC6948IUFD-2	0.513 to 0.818	0.616 to 0.982	0.770 to 1.228	1.027 to 1.637	1.540 to 2.455	3.080 to 4.910
3.840 to 5.790	LTC6948IUFD-3	0.640 to 0.965	0.768 to 1.158	0.960 to 1.448	1.280 to 1.930	1.920 to 2.895	3.840 to 5.790
4.200 to 6.390	LTC6948IUFD-4	0.700 to 1.065	0.840 to 1.278	1.050 to 1.598	1.400 to 2.130	2.100 to 3.195	4.200 to 6.390
<b>Overlapping Frequency Bands</b>							

**ELECTRICAL CHARACTERISTICS** The ● denotes the specifications which apply over the full operating junction temperature range, otherwise specifications are at  $T_A = 25^\circ\text{C}$ .  $V_{\text{REF}^+} = V_{\text{D}^+} = V_{\text{RF}^+} = 3.3\text{V}$ ,  $V_{\text{CP}^+} = V_{\text{VCO}^+} = 5\text{V}$  unless otherwise specified (Note 2). All voltages are with respect to GND.

SYMBOL	PARAMETER	CONDITIONS	MIN	TYP	MAX	UNITS	
<b>Reference Inputs (REF<sup>+</sup>, REF<sup>-</sup>)</b>							
$f_{\text{REF}}$	Input Frequency		●	10	425	MHz	
$V_{\text{REF}}$	Input Signal Level	Single-Ended, 1 $\mu\text{F}$ AC-Coupling Capacitors	●	0.5	2	2.7	$V_{\text{p-p}}$
	Input Slew Rate		●	20		$\text{V}/\mu\text{s}$	
	Input Duty Cycle			50		%	
	Self-Bias Voltage		●	1.65	1.85	2.25	V
	Input Resistance	Differential	●	5.8	8.4	11.6	k $\Omega$
	Input Capacitance	Differential		14		pF	
<b>VCO</b>							
$f_{\text{VCO}}$	Frequency Range	LTC6948-1 (Note 3)	●	2.24	3.74	GHz	
		LTC6948-2 (Note 3)	●	3.08	4.91	GHz	
		LTC6948-3 (Note 3)	●	3.84	5.79	GHz	
		LTC6948-4 (Note 3)	●	4.20	6.39	GHz	
$K_{\text{VCO}}$	Tuning Sensitivity	LTC6948-1 (Notes 3, 4)	●	4.7 to 7.2		%Hz/V	
		LTC6948-2 (Notes 3, 4)	●	4.7 to 7.0		%Hz/V	
		LTC6948-3 (Notes 3, 4)	●	4.0 to 6.0		%Hz/V	
		LTC6948-4 (Notes 3, 4)	●	4.5 to 6.5		%Hz/V	
<b>RF Output (RF<sup>+</sup>, RF<sup>-</sup>)</b>							
$f_{\text{RF}}$	Output Frequency		●	0.373	6.39	GHz	
O	Output Divider Range	All Integers Included	●	1	6		
	Output Duty Cycle			50		%	
	Output Resistance	Single-Ended, Each Output to $V_{\text{RF}^+}$	●	100	136	175	$\Omega$
$P_{\text{RF-SE}}$	Output Power, Single-Ended, $f_{\text{RF}} = 900\text{MHz}$	RFO[1:0] = 0, $R_Z = 50\Omega$ , LC Match	●	-9	-7.3	-5.5	dBm
		RFO[1:0] = 1, $R_Z = 50\Omega$ , LC Match	●	-6.1	-4.5	-2.8	dBm
		RFO[1:0] = 2, $R_Z = 50\Omega$ , LC Match	●	-2.9	-1.4	0.2	dBm
		RFO[1:0] = 3, $R_Z = 50\Omega$ , LC Match	●	0.1	1.5	3	dBm
	Output Power, Muted, $f_{\text{RF}} = 900\text{MHz}$	$R_Z = 50\Omega$ , Single-Ended, O = 2 to 6	●			-80	dBm
	Mute Enable Time		●		110	ns	
	Mute Disable Time		●		170	ns	
<b>Phase/Frequency Detector</b>							
$f_{\text{PFD}}$	Input Frequency	Integer mode	●		100	MHz	
		Fractional mode					
		LDOEN = 0	●		76.1	MHz	
		LDOV = 3, LDOEN = 1	●		66.3	MHz	
		LDOV = 2, LDOEN = 1	●		56.1	MHz	
		LDOV = 1, LDOEN = 1	●		45.9	MHz	
		LDOV = 0, LDOEN = 1	●		34.3	MHz	
<b>Charge Pump</b>							
$I_{\text{CP}}$	Output Current Range	8 Settings (See Table 6)		1	11.2	mA	
	Output Current Source/Sink Accuracy	All Settings, $V(\text{CP}) = V_{\text{CP}^+}/2$			$\pm 6$	%	
	Output Current Source/Sink Matching	$I_{\text{CP}} = 1.0\text{mA}$ to $2.8\text{mA}$ , $V(\text{CP}) = V_{\text{CP}^+}/2$			$\pm 3.5$	%	
		$I_{\text{CP}} = 4.0\text{mA}$ to $11.2\text{mA}$ , $V(\text{CP}) = V_{\text{CP}^+}/2$			$\pm 2$	%	
	Output Current vs Output Voltage Sensitivity	(Note 5)	●	0.2	1	%/V	
	Output Current vs Temperature	$V(\text{CP}) = V_{\text{CP}^+}/2$	●	170		ppm/ $^\circ\text{C}$	
	Output Hi-Z Leakage Current	$I_{\text{CP}} = 11.2\text{mA}$ , $\text{CPCLO} = \text{CPCHI} = 0$ (Note 5)		0.03		nA	

**ELECTRICAL CHARACTERISTICS** The ● denotes the specifications which apply over the full operating junction temperature range, otherwise specifications are at  $T_A = 25^\circ\text{C}$ .  $V_{\text{REF}}^+ = V_D^+ = V_{\text{RF}}^+ = 3.3\text{V}$ ,  $V_{\text{CP}}^+ = V_{\text{VCO}}^+ = 5\text{V}$  unless otherwise specified (Note 2). All voltages are with respect to GND.

SYMBOL	PARAMETER	CONDITIONS		MIN	TYP	MAX	UNITS
$V_{\text{CLMP-LO}}$	Low Clamp Voltage	CPCLO = 1			0.84		V
$V_{\text{CLMP-HI}}$	High Clamp Voltage	CPCHI = 1, Referred to $V_{\text{CP}}^+$			-0.96		V
$V_{\text{MID}}$	Mid-Supply Output Bias Ratio	Referred to $(V_{\text{CP}}^+ - \text{GND})$			0.48		V/V
<b>Reference (R) Divider</b>							
R	Divide Range	All Integers Included	●	1		31	Counts
<b>VCO (N) Divider</b>							
N	Divide Range	All Integers Included, Integer Mode	●	32		1023	Counts
		All Integers Included, Fractional Mode	●	35		1019	Counts
<b>Fractional <math>\Delta\Sigma</math> Modulator</b>							
	Numerator Range	All Integers Included	●	1		262143	Counts
<b>Modulator LDO</b>							
	Output Voltage	LDO Enabled, Four Values LDO Disabled			1.7 to 2.6 $V_D^+$		V V
	External Pin Capacitance	Required for LDO Stability	●	0.047	0.1	1	$\mu\text{F}$
<b>Digital Pin Specifications</b>							
$V_{\text{IH}}$	High Level Input Voltage	$\overline{\text{MUTE}}$ , $\overline{\text{CS}}$ , SDI, SCLK	●	1.55			V
$V_{\text{IL}}$	Low Level Input Voltage	$\overline{\text{MUTE}}$ , $\overline{\text{CS}}$ , SDI, SCLK	●			0.8	V
$V_{\text{IHYS}}$	Input Voltage Hysteresis	$\overline{\text{MUTE}}$ , $\overline{\text{CS}}$ , SDI, SCLK			250		mV
	Input Current	$\overline{\text{MUTE}}$ , $\overline{\text{CS}}$ , SDI, SCLK	●			$\pm 1$	$\mu\text{A}$
$I_{\text{OH}}$	High Level Output Current	SDO and STAT, $V_{\text{OH}} = V_D^+ - 400\text{mV}$	●		-3.3	-1.9	mA
$I_{\text{OL}}$	Low Level Output Current	SDO and STAT, $V_{\text{OL}} = 400\text{mV}$	●	2.0	3.4		mA
	SDO Hi-Z Current		●			$\pm 1$	$\mu\text{A}$
<b>Digital Timing Specifications (See Figure 6 and Figure 7)</b>							
$t_{\text{CKH}}$	SCLK High Time		●	25			ns
$t_{\text{CKL}}$	SCLK Low Time		●	25			ns
$t_{\text{CSS}}$	$\overline{\text{CS}}$ Setup Time		●	10			ns
$t_{\text{CSH}}$	$\overline{\text{CS}}$ High Time		●	10			ns
$t_{\text{CS}}$	SDI to SCLK Setup Time		●	6			ns
$t_{\text{CH}}$	SDI to SCLK Hold Time		●	6			ns
$t_{\text{DO}}$	SCLK to SDO Time	To $V_{\text{IH}}/V_{\text{IL}}/\text{Hi-Z}$ with 30pF Load	●			16	ns
<b>Power Supply Voltages</b>							
	$V_{\text{REF}}^+$ Supply Range		●	3.15	3.3	3.45	V
	$V_D^+$ Supply Range		●	3.15	3.3	3.45	V
	$V_{\text{RF}}^+$ Supply Range		●	3.15	3.3	3.45	V
	$V_{\text{VCO}}^+$ Supply Range		●	4.75	5.0	5.25	V
	$V_{\text{CP}}^+$ Supply Range		●	4.0		5.25	V
<b>Power Supply Currents</b>							
$I_{\text{DD}}$	$V_D^+$ Supply Current	Digital Inputs at Supply Levels, Integer Mode	●			1500	$\mu\text{A}$
		Digital Inputs at Supply Levels, Fractional Mode, $f_{\text{PFD}} = 66.3\text{MHz}$ , $\text{LDOV}[1:0] = 3$	●		18.2	22	mA
$I_{\text{CC}(5\text{V})}$	Sum $V_{\text{CP}}^+$ , $V_{\text{VCO}}^+$ Supply Currents	$I_{\text{CP}} = 11.2\text{mA}$	●		48	60	mA
		$I_{\text{CP}} = 1.0\text{mA}$	●		26	35	mA
		PDALL = 1	●		450	1000	$\mu\text{A}$

**ELECTRICAL CHARACTERISTICS** The ● denotes the specifications which apply over the full operating junction temperature range, otherwise specifications are at  $T_A = 25^\circ\text{C}$ .  $V_{\text{REF}^+} = V_{\text{D}^+} = V_{\text{RF}^+} = 3.3\text{V}$ ,  $V_{\text{CP}^+} = V_{\text{VCO}^+} = 5\text{V}$  unless otherwise specified (Note 2). All voltages are with respect to GND.

SYMBOL	PARAMETER	CONDITIONS	MIN	TYP	MAX	UNITS
$I_{\text{CC}}(3.3\text{V})$	Sum $V_{\text{REF}^+}$ , $V_{\text{RF}^+}$ Supply Currents	RF Muted, OD[2:0] = 1	●	70.4	80	mA
		RF Enabled, RFO[1:0] = 0, OD[2:0] = 1	●	81.1	95	mA
		RF Enabled, RFO[1:0] = 3, OD[2:0] = 1	●	91.3	105	mA
		RF Enabled, RFO[1:0] = 3, OD[2:0] = 2	●	109.2	125	mA
		RF Enabled, RFO[1:0] = 3, OD[2:0] = 3	●	114.8	135	mA
		RF Enabled, RFO[1:0] = 3, OD[2:0] = 4 to 6 PDALL = 1	●	119.6	140	mA
				53	250	$\mu\text{A}$

#### Phase Noise and Spurious

$L_{\text{VCO}}$	VCO Phase Noise (LTC6948-1, $f_{\text{VCO}} = 3.0\text{GHz}$ , $f_{\text{RF}} = 3.0\text{GHz}$ , OD[2:0] = 1 (Note 6))	10kHz Offset		-80		dBc/Hz
		1MHz Offset		-130		dBc/Hz
		40MHz Offset		-157		dBc/Hz
	VCO Phase Noise (LTC6948-2, $f_{\text{VCO}} = 4.0\text{GHz}$ , $f_{\text{RF}} = 4.0\text{GHz}$ , OD[2:0] = 1 (Note 6))	10kHz Offset		-77		dBc/Hz
		1MHz Offset		-127		dBc/Hz
		40MHz Offset		-156		dBc/Hz
	VCO Phase Noise (LTC6948-3, $f_{\text{VCO}} = 5.0\text{GHz}$ , $f_{\text{RF}} = 5.0\text{GHz}$ , OD[2:0] = 1 (Note 6))	10kHz Offset		-75		dBc/Hz
		1MHz Offset		-126		dBc/Hz
		40MHz Offset		-155		dBc/Hz
	VCO Phase Noise (LTC6948-4, $f_{\text{VCO}} = 6.0\text{GHz}$ , $f_{\text{RF}} = 6.0\text{GHz}$ , OD[2:0] = 1 (Note 6))	10kHz Offset		-73		dBc/Hz
		1MHz Offset		-123		dBc/Hz
		40MHz Offset		-154		dBc/Hz
	VCO Phase Noise (LTC6948-3, $f_{\text{VCO}} = 5.0\text{GHz}$ , $f_{\text{RF}} = 2.50\text{GHz}$ , OD[2:0] = 2 (Note 6))	10kHz Offset		-81		dBc/Hz
		1MHz Offset		-132		dBc/Hz
		40MHz Offset		-155		dBc/Hz
	VCO Phase Noise (LTC6948-3, $f_{\text{VCO}} = 5.0\text{GHz}$ , $f_{\text{RF}} = 1.667\text{GHz}$ , OD[2:0] = 3 (Note 6))	10kHz Offset		-84		dBc/Hz
		1MHz Offset		-135		dBc/Hz
		40MHz Offset		-156		dBc/Hz
	VCO Phase Noise (LTC6948-3, $f_{\text{VCO}} = 5.0\text{GHz}$ , $f_{\text{RF}} = 1.25\text{GHz}$ , OD[2:0] = 4 (Note 6))	10kHz Offset		-87		dBc/Hz
		1MHz Offset		-138		dBc/Hz
		40MHz Offset		-156		dBc/Hz
	VCO Phase Noise (LTC6948-3, $f_{\text{VCO}} = 5.0\text{GHz}$ , $f_{\text{RF}} = 1.00\text{GHz}$ , OD[2:0] = 5 (Note 6))	10kHz Offset		-89		dBc/Hz
		1MHz Offset		-140		dBc/Hz
		40MHz Offset		-157		dBc/Hz
	VCO Phase Noise (LTC6948-3, $f_{\text{VCO}} = 5.0\text{GHz}$ , $f_{\text{RF}} = 0.833\text{GHz}$ , OD[2:0] = 6 (Note 6))	10kHz Offset		-90		dBc/Hz
		1MHz Offset		-141		dBc/Hz
		40MHz Offset		-158		dBc/Hz
$L_{\text{NORM}}(\text{INT})$	Integer Normalized In-Band Phase Noise Floor	INTN = 1, $I_{\text{CP}} = 5.6\text{mA}$ (Notes 7, 8, 10)		-226		dBc/Hz
$L_{\text{NORM}}(\text{FRAC})$	Fractional Normalized In-Band Phase Noise Floor	INTN = 0, CPLE = 1, $I_{\text{CP}} = 5.6\text{mA}$ (Notes 7, 8, 10)		-225		dBc/Hz
$L_{1/f}$	Normalized In-Band 1/f Phase Noise	$I_{\text{CP}} = 11.2\text{mA}$ (Notes 7, 11)		-274		dBc/Hz
	In-Band Phase Noise Floor	Fractional Mode, CPLE = 1 (Notes 7, 9, 10, 12)		-113		dBc/Hz
	Integrated Phase Noise from 100Hz to 40MHz	Fractional Mode, CPLE = 1 (Notes 9, 12)		0.14		$^\circ\text{RMS}$
	Spurious	Fractional Mode, $f_{\text{OFFSET}} = f_{\text{PFD}}$ , PLL locked (Notes 8, 13, 14)		-98		dBc

**Note 1:** Stresses beyond those listed under Absolute Maximum Ratings may cause permanent damage to the device. Exposure to any Absolute Maximum Rating condition for extended periods may affect device reliability and lifetime.

**Note 2:** The LTC6948I is guaranteed to meet specified performance limits over the full operating junction temperature range of  $-40^\circ\text{C}$  to  $105^\circ\text{C}$ .

## ELECTRICAL CHARACTERISTICS

**Note 3:** Valid for  $1.60V \leq V(\text{TUNE}) \leq 2.85V$  with part calibrated after a power cycle or software power-on reset (POR).

**Note 4:** Based on characterization.

**Note 5:** For  $0.9V < V(\text{CP}) < (V_{\text{CP}^+} - 0.9V)$ .

**Note 6:** Measured outside the loop bandwidth, using a narrowband loop,  $\text{RFO}[1:0] = 3$ .

**Note 7:** Measured inside the loop bandwidth with the loop locked.

**Note 8:** Reference frequency supplied by Wenzel 501-04516,  $f_{\text{REF}} = 100\text{MHz}$ ,  $P_{\text{REF}} = 10\text{dBm}$ .

**Note 9:** Reference frequency supplied by Wenzel 500-23571,  $f_{\text{REF}} = 61.44\text{MHz}$ ,  $P_{\text{REF}} = 10\text{dBm}$ .

**Note 10:** Output phase noise floor is calculated from normalized phase noise floor by  $L_{\text{OUT}} = L_{\text{NORM}} + 10\log_{10}(f_{\text{PFD}}) + 20\log_{10}(f_{\text{RF}}/f_{\text{PFD}})$ .

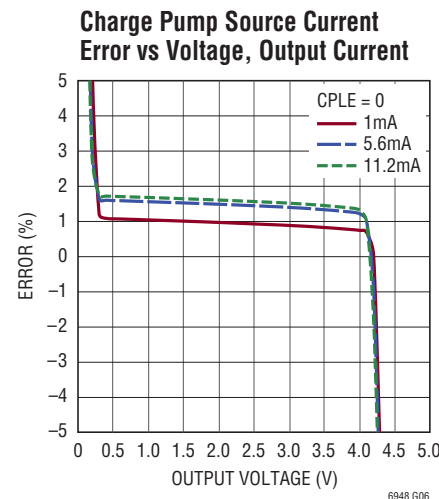
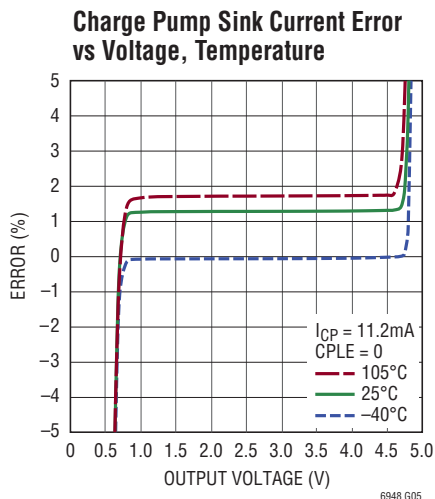
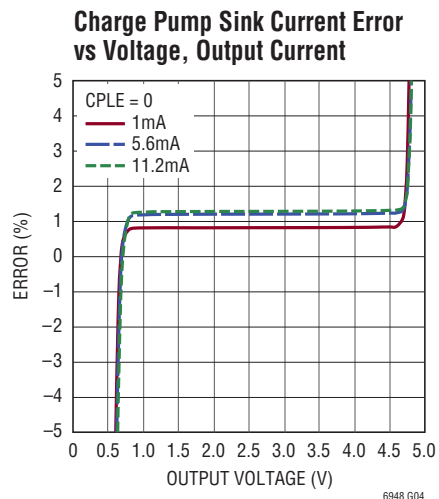
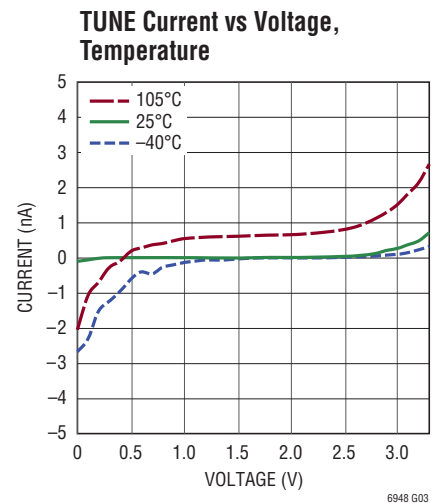
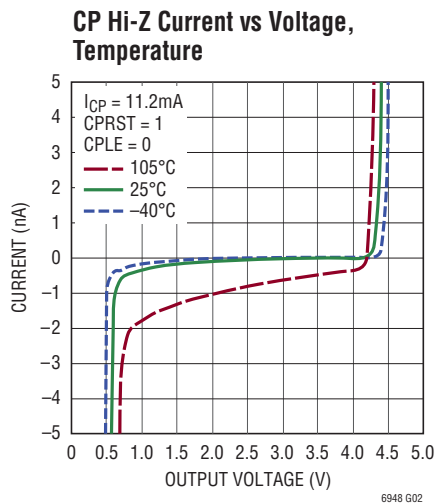
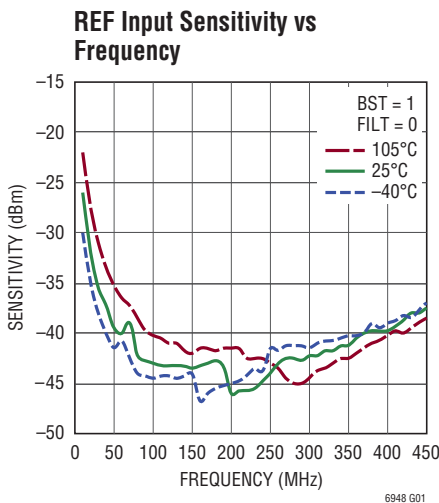
**Note 11:** Output 1/f noise is calculated from normalized 1/f phase noise by  $L_{\text{OUT}(1/f)} = L_{1/f} + 20\log_{10}(f_{\text{RF}}) - 10\log_{10}(f_{\text{OFFSET}})$ .

**Note 12:**  $I_{\text{CP}} = 5.6\text{mA}$ ,  $f_{\text{PFD}} = 61.44\text{MHz}$ ,  $\text{FILT}[1:0] = 0$ , Loop BW = 180kHz;  $f_{\text{RF}} = 2377.7\text{MHz}$ ,  $f_{\text{VCO}} = 4755.4\text{MHz}$  (LTC6948-3)

**Note 13:**  $I_{\text{CP}} = 5.6\text{mA}$ ,  $f_{\text{PFD}} = 25\text{MHz}$ ,  $\text{FILT}[1:0] = 0$ , Loop BW = 73kHz;  $f_{\text{RF}} = 891.85\text{MHz}$ ,  $f_{\text{VCO}} = 2675\text{Hz}$  (LTC6948-1),  $f_{\text{VCO}} = 4459\text{MHz}$  (LTC6948-2),  $f_{\text{VCO}} = 5351\text{MHz}$  (LTC6948-3, LTC6948-4).

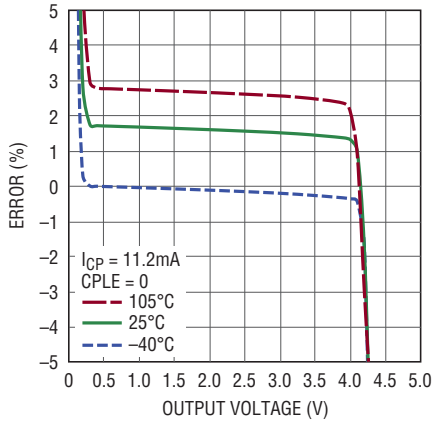
**Note 14:** Measured using DC1959.

## TYPICAL PERFORMANCE CHARACTERISTICS $T_A = 25^\circ\text{C}$ . $V_{\text{REF}^+} = V_{\text{D}^+} = V_{\text{RF}^+} = 3.3\text{V}$ , $V_{\text{CP}^+} = V_{\text{VCO}^+} = 5\text{V}$ , $\text{INTN} = 0$ , $\text{DITHEN} = 1$ , $\text{CPLE} = 1$ , $\text{RFO}[1:0] = 3$ , unless otherwise noted.



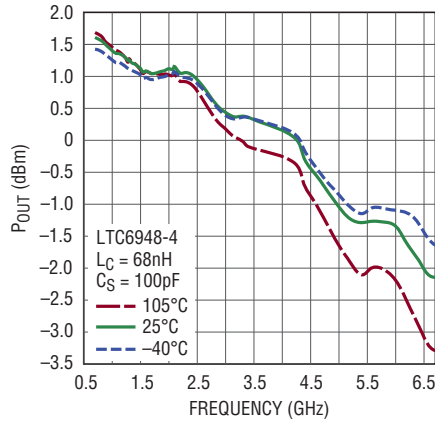
**TYPICAL PERFORMANCE CHARACTERISTICS**  $T_A = 25^\circ\text{C}$ .  $V_{\text{REF}^+} = V_{\text{D}^+} = V_{\text{RF}^+} = 3.3\text{V}$ ,  $V_{\text{CP}^+} = V_{\text{VCO}^+} = 5\text{V}$ ,  $\text{INTN} = 0$ ,  $\text{DITHEN} = 1$ ,  $\text{CPLE} = 1$ ,  $\text{RFO}[1:0] = 3$ , unless otherwise noted.

**Charge Pump Source Current Error vs Voltage, Temperature**



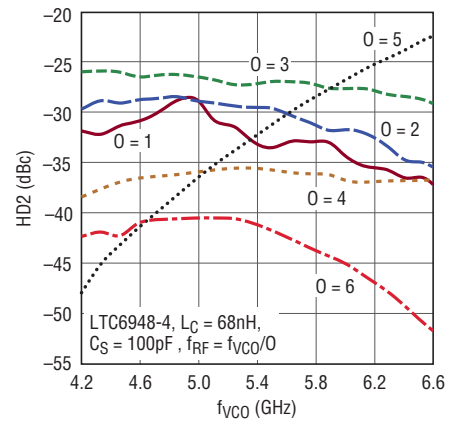
6948 G07

**RF Output Power vs Frequency (Single-Ended on RF<sup>+</sup>)**



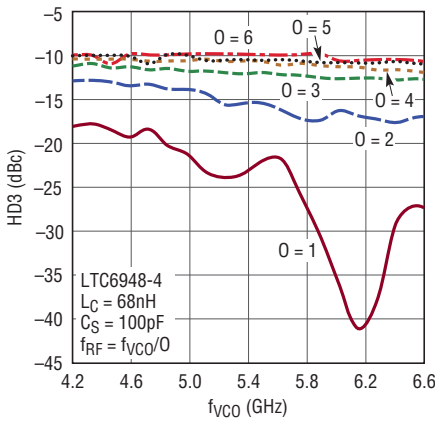
6948 G08

**RF Output HD2 vs Output Divide (Single-Ended on RF<sup>+</sup>)**



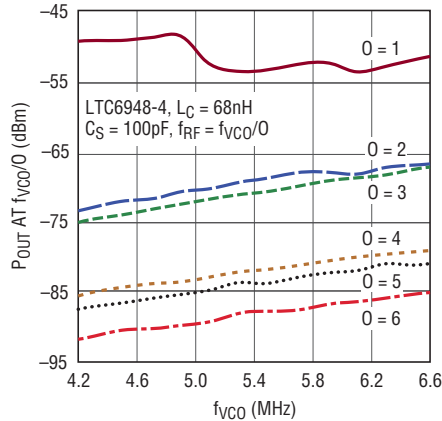
6948 G09

**RF Output HD3 vs Output Divide (Single-Ended on RF<sup>+</sup>)**



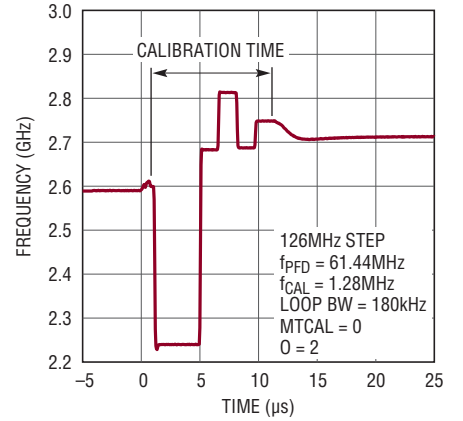
6948 G10

**MUTE Output Power vs fVCO and Output Divide (Single-Ended on RF<sup>+</sup>)**



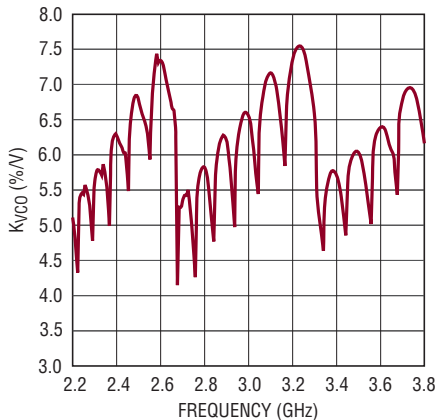
6948 G11

**LTC6948-3 Frequency Step Transient**



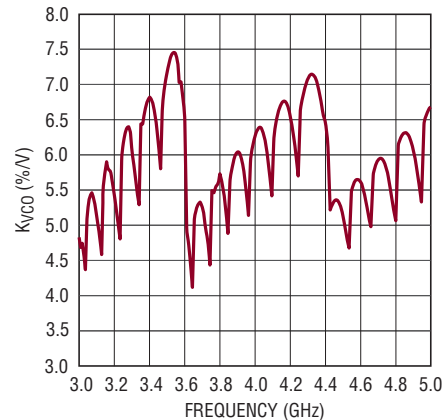
6948 G12

**LTC6948-1 VCO Tuning Sensitivity**



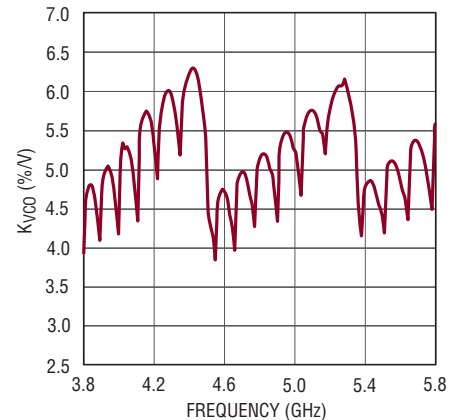
6948 G13

**LTC6948-2 VCO Tuning Sensitivity**



6948 G14

**LTC6948-3 VCO Tuning Sensitivity**



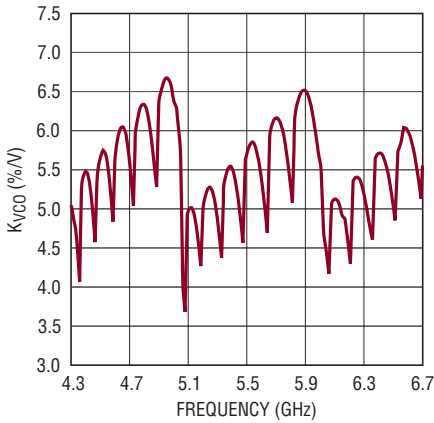
6948 G15



# LTC6948

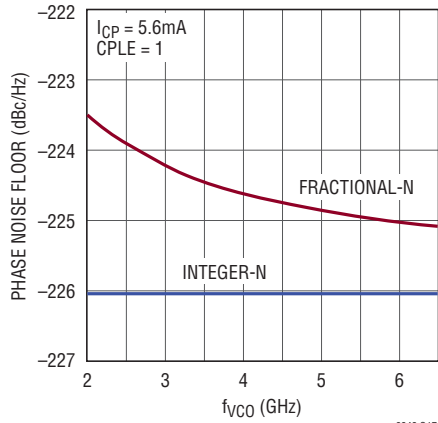
## TYPICAL PERFORMANCE CHARACTERISTICS $T_A = 25^\circ\text{C}$ . $V_{\text{REF}^+} = V_{\text{D}^+} = V_{\text{RF}^+} = 3.3\text{V}$ , $V_{\text{CP}^+} = V_{\text{VCO}^+} = 5\text{V}$ , $\text{INTN} = 0$ , $\text{DITHEN} = 1$ , $\text{CPLE} = 1$ , $\text{RFO}[1:0] = 3$ , unless otherwise noted.

LTC6948-4 VCO Tuning Sensitivity



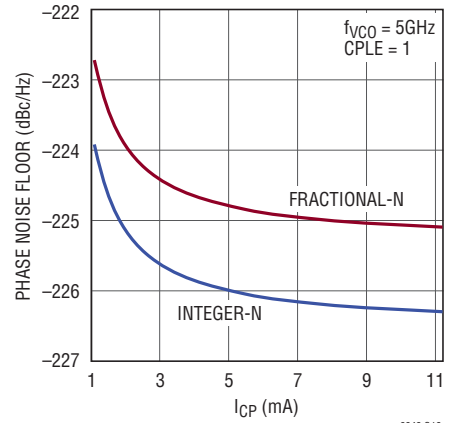
6948 G16

Normalized In-Band Phase Noise Floor vs  $f_{\text{VCO}}$



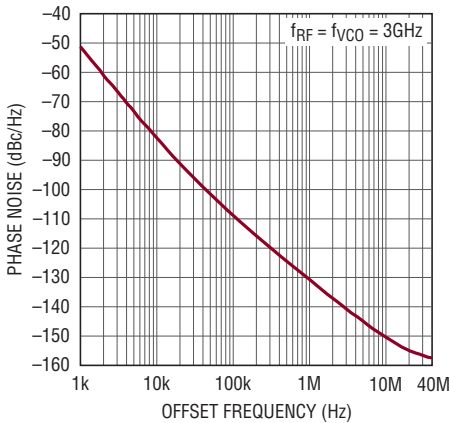
6948 G17

Normalized In-Band Phase Noise Floor vs CP Current



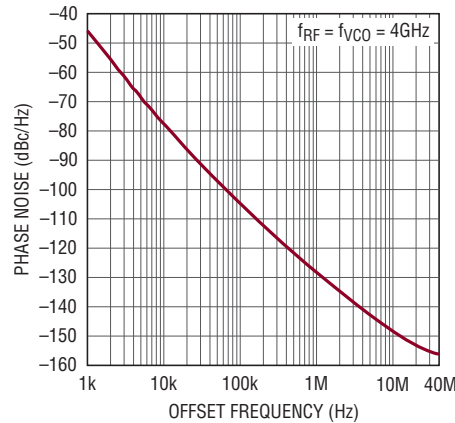
6948 G18

LTC6948-1 VCO Phase Noise



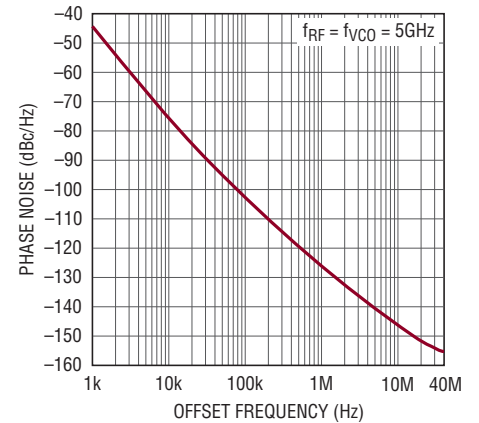
6948 G19

LTC6948-2 VCO Phase Noise



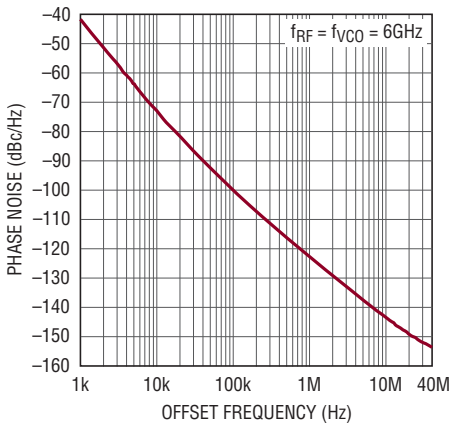
6948 G20

LTC6948-3 VCO Phase Noise



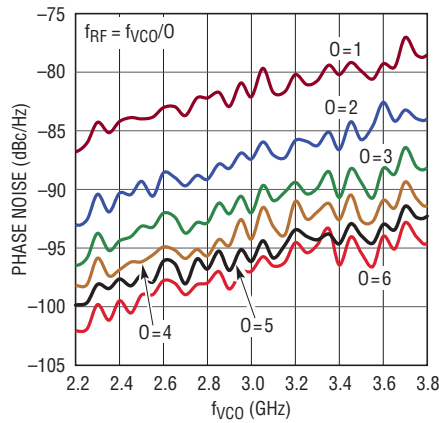
6948 G21

LTC6948-4 VCO Phase Noise



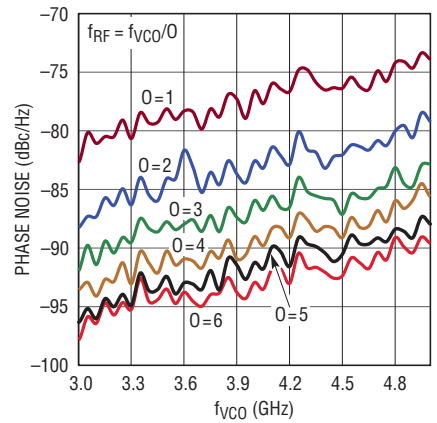
6948 G22

LTC6948-1 VCO Phase Noise vs  $f_{\text{VCO}}$ , Output Divide ( $f_{\text{OFFSET}} = 10\text{kHz}$ )



6948 G23

LTC6948-2 VCO Phase Noise vs  $f_{\text{VCO}}$ , Output Divide ( $f_{\text{OFFSET}} = 10\text{kHz}$ )

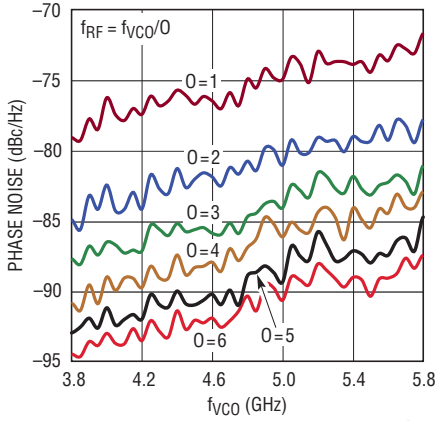


6948 G24



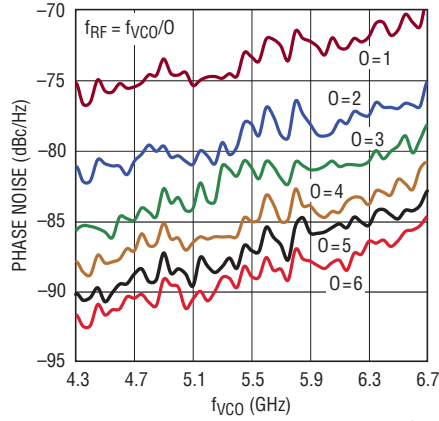
**TYPICAL PERFORMANCE CHARACTERISTICS**  $T_A = 25^\circ\text{C}$ .  $V_{REF}^+ = V_D^+ = V_{RF}^+ = 3.3\text{V}$ ,  $V_{CP}^+ = V_{VCO}^+ = 5\text{V}$ ,  $\text{INTN} = 0$ ,  $\text{DITHEN} = 1$ ,  $\text{CPLE} = 1$ ,  $\text{RFO}[1:0] = 3$ , unless otherwise noted.

**LTC6948-3 VCO Phase Noise vs  $f_{VCO}$ , Output Divide ( $f_{\text{OFFSET}} = 10\text{kHz}$ )**



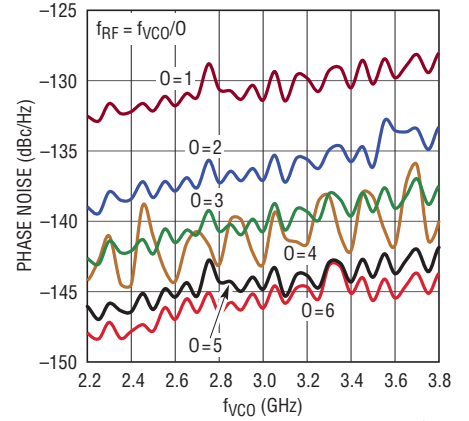
6948 G25

**LTC6948-4 VCO Phase Noise vs  $f_{VCO}$ , Output Divide ( $f_{\text{OFFSET}} = 10\text{kHz}$ )**



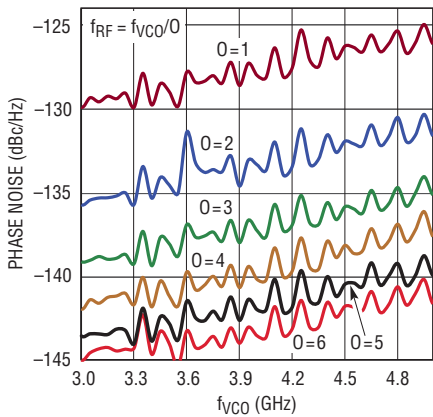
6948 G26

**LTC6948-1 VCO Phase Noise vs  $f_{VCO}$ , Output Divide ( $f_{\text{OFFSET}} = 1\text{MHz}$ )**



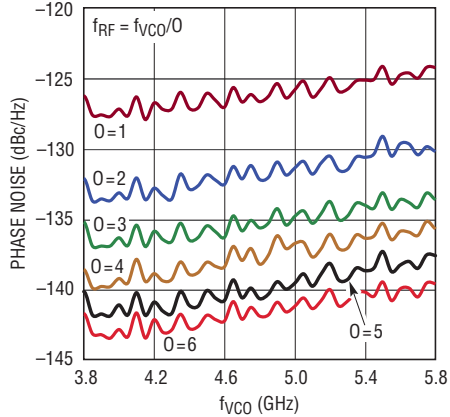
6948 G27

**LTC6948-2 VCO Phase Noise vs  $f_{VCO}$ , Output Divide ( $f_{\text{OFFSET}} = 1\text{MHz}$ )**



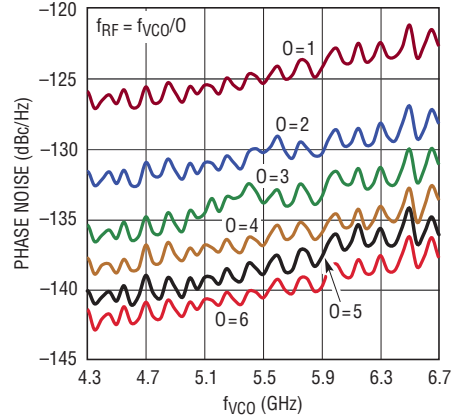
6948 G28

**LTC6948-3 VCO Phase Noise vs  $f_{VCO}$ , Output Divide ( $f_{\text{OFFSET}} = 1\text{MHz}$ )**



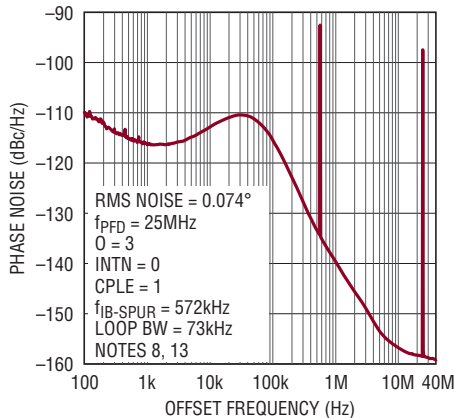
6948 G29

**LTC6948-4 VCO Phase Noise vs  $f_{VCO}$ , Output Divide ( $f_{\text{OFFSET}} = 1\text{MHz}$ )**



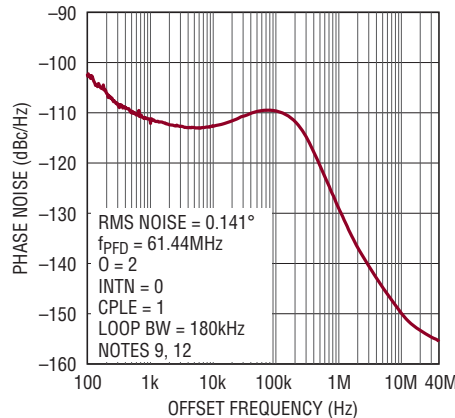
6948 G30

**Closed-Loop Phase Noise, LTC6948-1  $f_{RF} = 891.857\text{MHz}$**



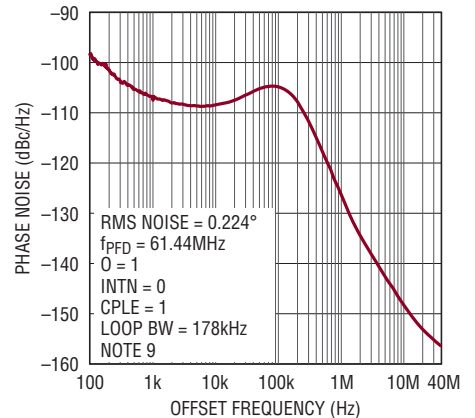
6948 G31

**Closed-Loop Phase Noise, LTC6948-3  $f_{RF} = 2377.728\text{MHz}$**



6948 G32

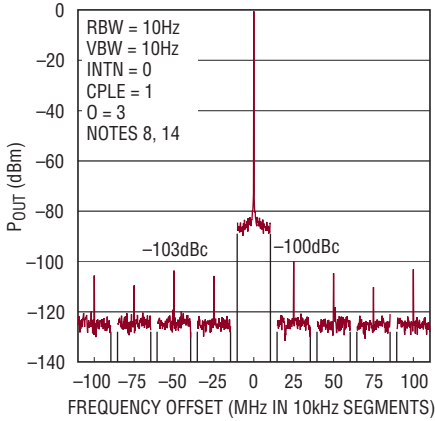
**Closed-Loop Phase Noise, LTC6948-2  $f_{RF} = 3646.464\text{MHz}$**



6948 G33

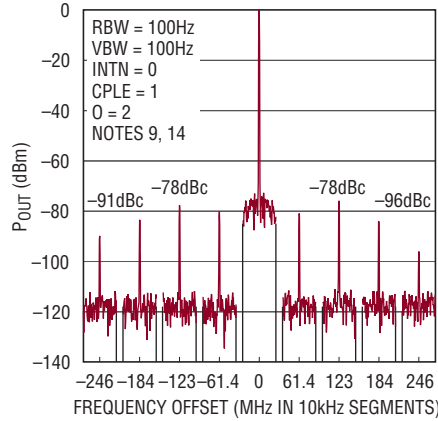
## TYPICAL PERFORMANCE CHARACTERISTICS $T_A = 25^\circ\text{C}$ . $V_{REF}^+ = V_D^+ = V_{RF}^+ = 3.3\text{V}$ , $V_{CP}^+ = V_{VCO}^+ = 5\text{V}$ , $\text{INTN} = 0$ , $\text{DITHEN} = 1$ , $\text{CPLE} = 1$ , $\text{RFO}[1:0] = 3$ , unless otherwise noted.

**LTC6948-1 Spurious Response**  
 $f_{RF} = 891.85\text{MHz}$ ,  $f_{REF} = 100\text{MHz}$ ,  
 $f_{PFD} = 25\text{MHz}$ , Loop BW = 74kHz



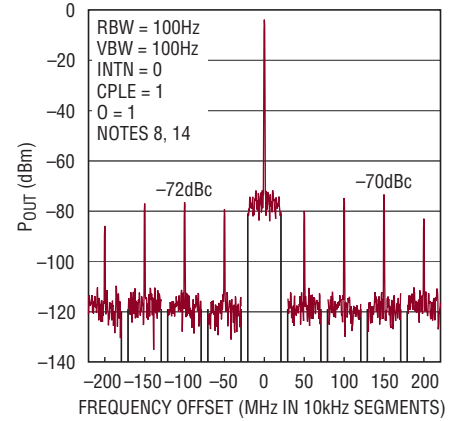
6948 G34

**LTC6948-3 Spurious Response**  
 $f_{RF} = 2377.73\text{MHz}$ ,  $f_{REF} = 61.44\text{MHz}$ ,  
 $f_{PFD} = 61.44\text{MHz}$ , Loop BW = 180k



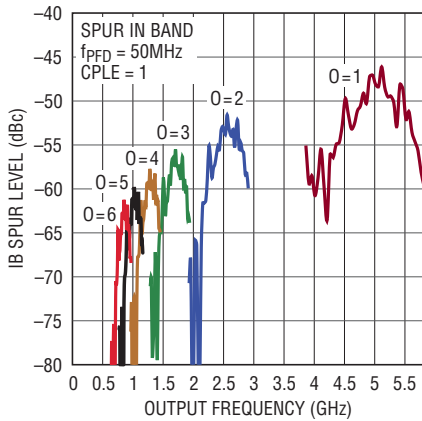
6948 G35

**LTC6948-4 Spurious Response**  
 $f_{RF} = 6236\text{MHz}$ ,  $f_{REF} = 100\text{MHz}$ ,  
 $f_{PFD} = 50\text{MHz}$ , Loop BW = 152kHz



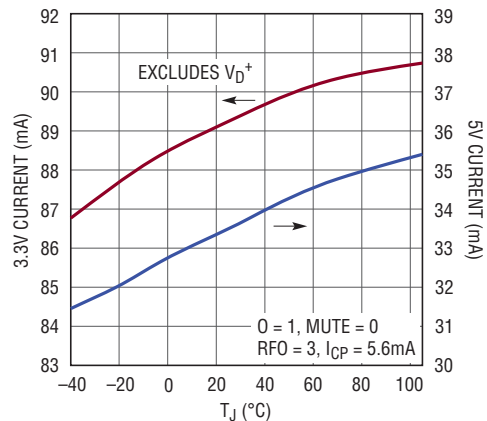
6948 G36

**Integer Boundary Spur Power vs Output Frequency, LTC6948-3**



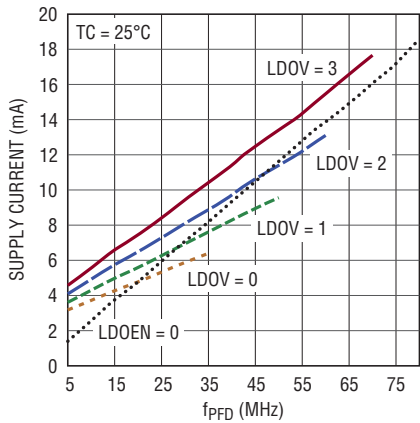
6948 G37

**LTC6948-4 Supply Current**



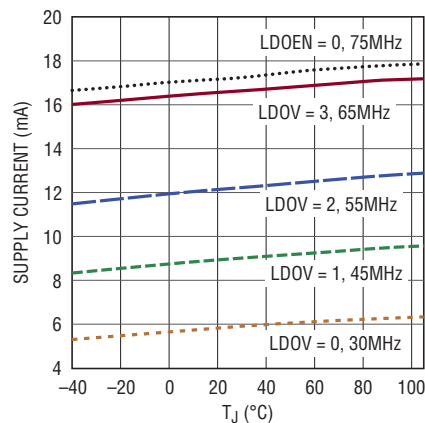
6948 G38

**$V_D^+$  Supply Current vs LDOV,  $f_{PFD}$  (INTN = 0, PDFN = 0)**



6948 G39

**$V_D^+$  Supply Current vs LDOV, Temperature (INTN = 0, PDFN = 0,  $f_{PFD}$  Noted)**



6948 G40

## PIN FUNCTIONS

**REF<sup>+</sup>, REF<sup>-</sup> (Pins 1, 28):** Reference Input Signals. This differential input is buffered with a low noise amplifier, which feeds the reference divider. They are self-biased and must be AC-coupled with 1 $\mu$ F capacitors. If used single-ended with  $V_{REF^+} \leq 2.7V_{P-P}$ , bypass REF<sup>-</sup> to GND with a 1 $\mu$ F capacitor. If used single-ended with  $V_{REF^+} > 2.7V_{P-P}$ , bypass REF<sup>-</sup> to GND with a 47pF capacitor.

**STAT (Pin 2):** Status Output. This signal is a configurable logical OR combination of the UNLOK, LOK, ALCHI, ALCLO, THI, and TLO status bits, programmable via the STATUS register. See the Operation section for more details.

**CS (Pin 3):** Serial Port Chip Select. This CMOS input initiates a serial port communication burst when driven low, ending the burst when driven back high. See the Operation section for more details.

**SCLK (Pin 4):** Serial Port Clock. This CMOS input clocks serial port input data on its rising edge. See the Operation section for more details.

**SDI (Pin 5):** Serial Port Data Input. The serial port uses this CMOS input for data. See the Operation section for more details.

**SDO (Pin 6):** Serial Port Data Output. This CMOS three-state output presents data from the serial port during a read communication burst. Optionally attach a resistor of >200k to GND to prevent a floating output. See the Applications Information section for more details.

**LDO (Pin 7):**  $\Delta\Sigma$  Modulator LDO Bypass Pin. This pin should be bypassed directly to the ground plane using a low ESR (<0.8 $\Omega$ ) 0.1 $\mu$ F ceramic capacitor as close to the pin as possible.

**V<sub>D</sub><sup>+</sup> (Pin 8):** 3.15V to 3.45V Positive Supply Pin for Serial Port and  $\Delta\Sigma$  Modulator Circuitry. This pin should be bypassed directly to the ground plane using a 0.1 $\mu$ F ceramic capacitor as close to the pin as possible.

**MUTE (Pin 9):** RF Mute. The CMOS active-low input mutes the RF $\pm$  differential outputs while maintaining internal bias levels for quick response to deassertion.

**GND (Pins 10, 17, 21, Exposed Pad Pin 29):** Negative Power Supply (Ground). These pins should be tied directly to the ground plane with multiple vias for each pin. The package exposed pad must be soldered directly to the PCB land. The PCB land pattern should have multiple thermal vias to the ground plane for both low ground inductance and also low thermal resistance.

**RF<sup>-</sup>, RF<sup>+</sup> (Pins 11, 12):** RF Output Signals. The VCO output divider is buffered and presented differentially on these pins. The outputs are open-collector, with 136 $\Omega$  (typical) pull-up resistors tied to V<sub>RF<sup>+</sup></sub> to aid impedance matching. If used single-ended, the unused output should be terminated to 50 $\Omega$ . See the Applications Information section for more details on impedance matching.

**V<sub>RF<sup>+</sup></sub> (Pin 13):** 3.15V to 3.45V Positive Supply Pin for RF circuitry. This pin should be bypassed directly to the ground plane using a 0.01 $\mu$ F ceramic capacitor as close to the pin as possible.

**BB (Pin 14):** RF Reference Bypass. This output has a 2.5k resistance and must be bypassed with a 1 $\mu$ F ceramic capacitor to GND. Do not couple this pin to any other signal.

**TUNE (Pin 15):** VCO Tuning Input. This frequency control pin is normally connected to the external loop filter. See the Applications Information section for more details.

## PIN FUNCTIONS

**TB (Pin 16):** VCO Bypass. This output has a 2k resistance and must be bypassed with a 2.2 $\mu$ F ceramic capacitor to GND. It is normally connected to CM<sub>A</sub>, CM<sub>B</sub>, and CM<sub>C</sub> with a short trace. Do not couple this pin to any other signal.

**CM<sub>A</sub>, CM<sub>B</sub>, CM<sub>C</sub> (Pins 18, 19, 20):** VCO Bias Inputs. These inputs are normally connected to TB with a short trace and bypassed with a 2.2 $\mu$ F ceramic capacitor to GND. Do not couple these pins to any other signal. *For best phase noise performance, DO NOT place a trace between these pads underneath the package.*

**BVCO (Pin 22):** VCO Bypass Pin. This output must be bypassed with a 1 $\mu$ F ceramic capacitor to GND. Do not couple this pin to any other signal.

**V<sub>VCO</sub><sup>+</sup> (Pin 23):** 4.75V to 5.25V Positive Supply Pin for VCO Circuitry. This pin should be bypassed directly to the ground plane using a 0.01 $\mu$ F ceramic capacitor as close to the pin as possible.

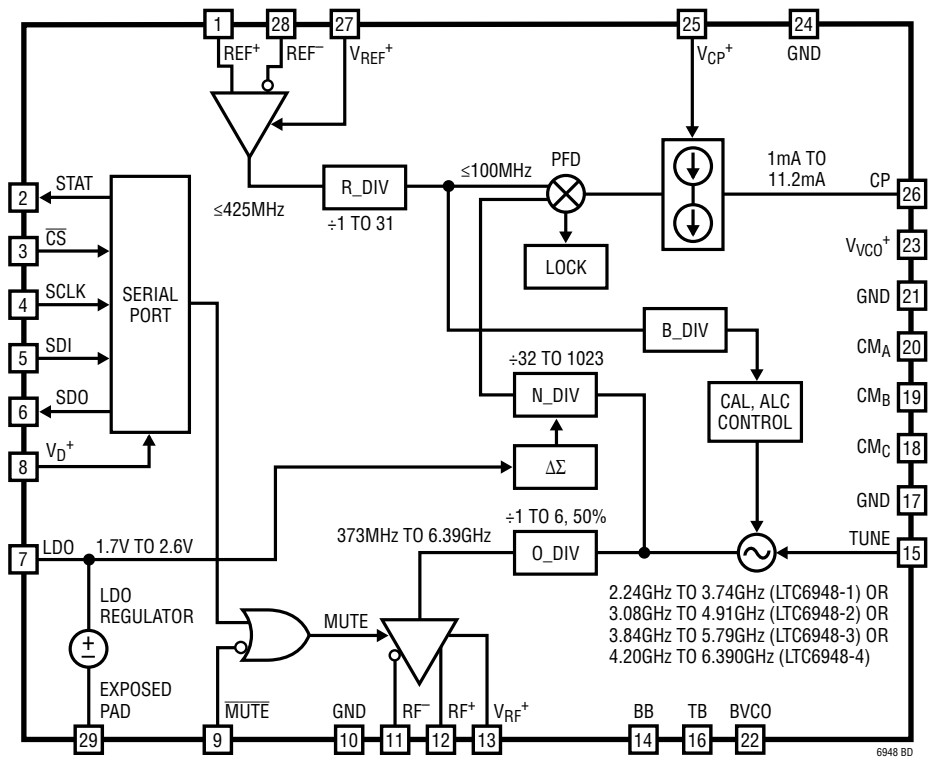
**GND (24):** Negative Power Supply (Ground). This pin is attached directly to the die attach paddle (DAP) and should be tied directly to the ground plane.

**V<sub>CP</sub><sup>+</sup> (Pin 25):** 4V to 5.25V Positive Supply Pin for Charge Pump Circuitry. This pin should be bypassed directly to the ground plane using a 0.1 $\mu$ F ceramic capacitor as close to the pin as possible.

**CP (Pin 26):** Charge Pump Output. This bidirectional current output is normally connected to the external loop filter. See the Applications Information section for more details.

**V<sub>REF</sub><sup>+</sup> (Pin 27):** 3.15V to 3.45V Positive Supply Pin for Reference Input Circuitry. This pin should be bypassed directly to the ground plane using a 0.1 $\mu$ F ceramic capacitor as close to the pin as possible.

**BLOCK DIAGRAM**



## OPERATION

The LTC6948 is a high-performance fractional-N PLL complete with a low noise VCO available in four different frequency range options. The output frequency range may be further extended by utilizing the output divider (see Available Options table for more details). The device is able to achieve superior integrated phase noise by the combination of its extremely low in-band phase noise performance and excellent VCO noise characteristics.

The fractional-N feedback divider uses an advanced  $\Delta\Sigma$  modulator, resulting in virtually no discrete modulator spurious tones. The modulator may be disabled if integer-N feedback is required.

### REFERENCE INPUT BUFFER

The PLL's reference frequency is applied differentially on pins REF<sup>+</sup> and REF<sup>-</sup>. These high impedance inputs are self-biased and must be AC-coupled with 1 $\mu$ F capacitors (see Figure 1 for a simplified schematic). Alternatively, the inputs may be used single-ended by applying the reference frequency at REF<sup>+</sup> and bypassing REF<sup>-</sup> to GND with a 1 $\mu$ F capacitor. If the single-ended signal is greater than 2.7V<sub>P-P</sub>, then use a 47pF capacitor for the GND bypass.

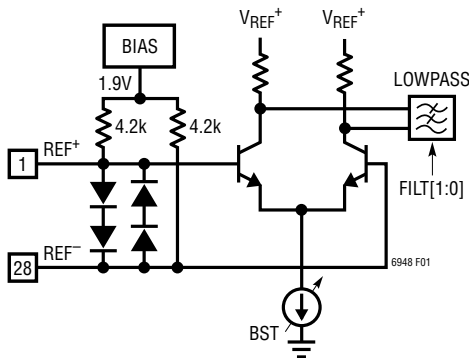


Figure 1. Simplified REF Interface Schematic

A high quality signal must be applied to the REF<sup>±</sup> inputs as they provide the frequency reference to the entire PLL. To achieve the part's in-band phase noise performance, apply a CW signal of at least 6dBm into 50 $\Omega$ , or a square wave of at least 0.5V<sub>P-P</sub> with slew rate of at least 40V/ $\mu$ s.

Additional options are available through serial port register h0B to further refine the application. Bits FILT[1:0] control the reference input buffer's lowpass filter, and should be set based upon f<sub>REF</sub> to limit the reference's wideband noise. The FILT[1:0] bits must be set correctly to reach the L<sub>NORM</sub> normalized in-band phase noise floor. See Table 1 for recommended settings.

Table 1. FILT[1:0] Programming

FILT[1:0]	f <sub>REF</sub>
3	<20MHz
2	NA
1	20MHz to 50MHz
0	>50MHz

The BST bit should be set based upon the input signal level to prevent the reference input buffer from saturating. See Table 2 for recommended settings and the Applications Information section for programming examples.

Table 2. BST Programming

BST	V <sub>REF</sub>
1	<2V <sub>P-P</sub>
0	≥2V <sub>P-P</sub>

### REFERENCE (R) DIVIDER

A 5-bit divider, R\_DIV, is used to reduce the frequency seen at the PFD. Its divide ratio R may be set to any integer from 1 to 31, inclusive. Use the RD[4:0] bits found in registers h06 to directly program the R divide ratio. See the Applications Information section for the relationship between R and the f<sub>REF</sub>, f<sub>PFD</sub>, f<sub>VCO</sub>, and f<sub>RF</sub> frequencies.

### PHASE/FREQUENCY DETECTOR (PFD)

The phase/frequency detector (PFD), in conjunction with the charge pump, produces source and sink current pulses proportional to the phase difference between the outputs of the R and N dividers. This action provides the necessary feedback to phase-lock the loop, forcing a phase align-

## OPERATION

ment at the PFD's inputs. The PFD may be disabled with the CPRST bit which prevents UP and DOWN pulses from being produced. See Figure 2 for a simplified schematic of the PFD.

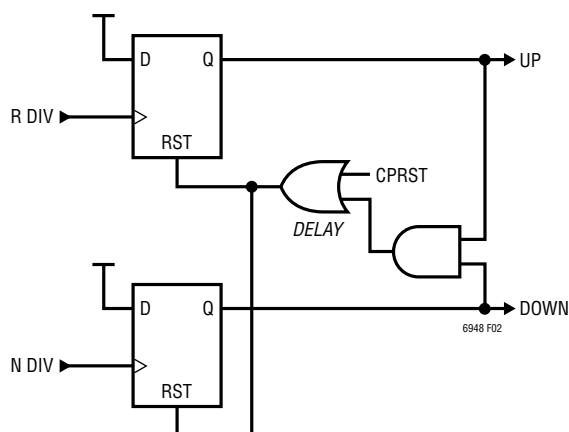


Figure 2. Simplified PFD Schematic

## LOCK INDICATOR

The lock indicator uses internal signals from the PFD to measure phase coincidence between the R and N divider output signals. It is enabled by programming LKCT[1:0] in the serial port register h0C (see Table 5), and produces both LOCK and UNLOCK status flags, available through both the STAT output and serial port register h00.

The user sets the phase difference lock window time  $t_{LWW}$  for a valid LOCK condition with the LKWIN[2:0] bits. When using the device as a fractional-N synthesizer (fractional mode), the  $\Delta\Sigma$  modulator changes the instantaneous phase seen at the PFD on every R\_DIV and N\_DIV cycle. The maximum allowable time difference in this case depends upon both the VCO frequency  $f_{VCO}$  and also the charge pump linearization enable bit CPLE (see the Charge Pump Linearizer section for an explanation of this function). Table 3 contains recommended settings for LKWIN[2:0] when using the device in fractional mode. See the Applications Information section for examples.

Table 3. LKWIN[2:0] Fractional Mode Programming

LKWIN[2:0]	$t_{LWW}$	$f_{VCO}$ (CPLE = 1)	$f_{VCO}$ (CPLE = 0)
0	5.0ns	$\geq 2.97\text{GHz}$	$\geq 1.35\text{GHz}$
1	7.35ns	$\geq 2.00\text{GHz}$	$\geq 919\text{MHz}$
2	10.7ns	$\geq 1.39\text{GHz}$	$\geq 632\text{MHz}$
3	15.8ns	$\geq 941\text{MHz}$	$\geq 428\text{MHz}$
4	23.0ns	$\geq 646\text{MHz}$	$\geq 294\text{MHz}$
5	34.5ns	$\geq 431\text{MHz}$	$\geq 196\text{MHz}$
6	50.5ns	$\geq 294\text{MHz}$	$\geq 134\text{MHz}$
7	76.0ns	$\geq 196\text{MHz}$	$\geq 89\text{MHz}$

When using the device as an integer-N synthesizer (integer mode), the phase difference seen at the PFD is minimized by the feedback of the PLL and no longer depends upon  $f_{VCO}$ . Table 4 contains recommended settings for different  $f_{PFD}$  frequencies. See the Applications Information section for examples.

Table 4. LKWIN[2:0] Integer Mode Programming

LKWIN[2:0]	$t_{LWW}$	$f_{PFD}$
0	5.0ns	$> 6.8\text{MHz}$
1	7.35ns	$\leq 6.8\text{MHz}$
2	10.7ns	$\leq 4.7\text{MHz}$
3	15.8ns	$\leq 3.2\text{MHz}$
4	23.0ns	$\leq 2.2\text{MHz}$
5	34.5ns	$\leq 1.5\text{MHz}$
6	50.5ns	$\leq 1.0\text{MHz}$
7	76.0ns	$\leq 660\text{kHz}$

The PFD phase difference must be less than  $t_{LWW}$  for the COUNTS number of successive counts before the lock indicator asserts the LOCK flag. The LKCT[1:0] bits found in register h0C are used to set COUNTS depending upon the application. Set LKCT to 0 to disable the lock indicator. See Table 5 for LKCT[1:0] programming and the Applications Information section for examples.



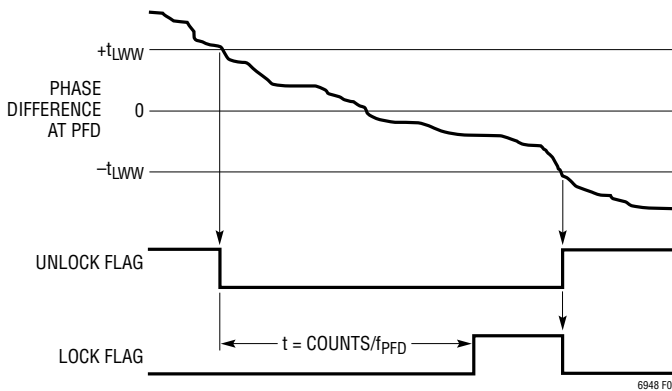
## OPERATION

**Table 5. LKCT[1:0] Programming**

LKCT[1:0]	COUNTS
0	Lock Indicator Disabled
1	32
2	256
3	2048

When the PFD phase difference is greater than  $t_{LWW}$ , the lock indicator immediately asserts the UNLOCK status flag and clears the LOCK flag, indicating an out-of-lock condition. The UNLOCK flag is immediately de-asserted when the phase difference is less than  $t_{LWW}$ . See Figure 3 for more details.

*Note that  $f_{REF}$  must be present for the LOCK and UNLOCK flags to properly assert and clear.*

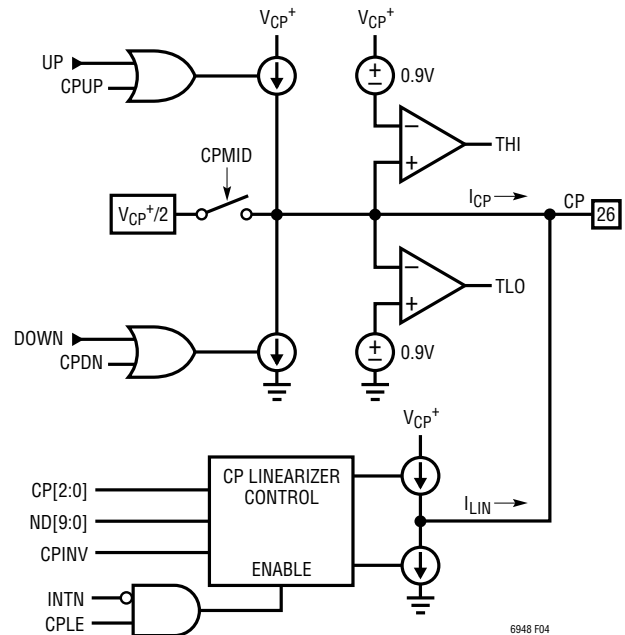


**Figure 3. UNLOCK and LOCK Timing**

### CHARGE PUMP

The charge pump, controlled by the PFD, forces sink (DOWN) or source (UP) current pulses onto the CP pin, which should be connected to an appropriate loop filter. See Figure 4 for a simplified schematic of the charge pump.

The output current magnitude  $I_{CP}$  may be set from 1mA to 11.2mA using the CP[2:0] bits found in serial port register h0C. A larger  $I_{CP}$  can result in lower in-band noise due



**Figure 4. Simplified Charge Pump Schematic**

to the lower impedance of the loop filter components, although currents larger than 5.6mA typically cause worse spurious performance. See Table 6 for programming specifics and the Applications Information section for loop filter examples.

**Table 6. CP[2:0] Programming**

CP[2:0]	$I_{CP}$
0	1.0mA
1	1.4mA
2	2.0mA
3	2.8mA
4	4.0mA
5	5.6mA
6	8.0mA
7	11.2mA

The CPINV bit found in register h0D should be set for applications requiring signal inversion from the PFD, such as for complex external loops using an inverting op amp. A passive loop filter as shown in Figure 13 requires CPINV = 0.

## OPERATION

### Charge Pump Functions

The charge pump contains additional features to aid in system startup. See Table 7 below for a summary.

**Table 7. Charge Pump Function Bit Descriptions**

BIT	DESCRIPTION
CPCHI	Enable High Voltage Output Clamp
CPCLO	Enable Low Voltage Output Clamp
CPDN	Force Sink Current
CPINV	Invert PFD Phase
CPLE	Linearizer Enable
CPMID	Enable Mid-Voltage Bias
CPRST	Reset PFD
CPUP	Force Source Current
CPWIDE	Extend Current Pulse Width
THI	High Voltage Clamp Flag
TLO	Low Voltage Clamp Flag

The CPCHI and CPCLO bits found in register h0D enable the high and low voltage clamps, respectively. When CPCHI is enabled and the CP pin voltage exceeds approximately  $V_{CP^+} - 0.9V$ , the THI status flag is set, and the charge pump sourcing current is disabled. Alternately, when CPCLO is enabled and the CP pin voltage is less than approximately 0.9V, the TLO status flag is set, and the charge pump sinking current is disabled. See Figure 4 for a simplified schematic.

The CPMID bit also found in register h0D enables a resistive  $V_{CP^+}/2$  output bias which may be used to pre-bias troublesome loop filters into a valid voltage range. When using CPMID, it is recommended to also assert the CPRST bit, forcing a PFD reset. Both CPMID and CPRST must be set to 0 for normal operation.

The CPUP and CPDN bits force a constant  $I_{CP}$  source or sink current, respectively, on the CP pin. The CPRST bit may also be used in conjunction with the CPUP and CPDN bits, allowing a precharge of the loop to a known state, if required. CPUP, CPDN, and CPRST must be set to 0 to allow the loop to lock.

The CPWIDE bit extends the charge pump output current pulse width by increasing the PFD reset path's delay value (see Figure 2). CPWIDE is normally set to 0.

### Charge Pump Linearizer

When the LTC6948 is operated in fractional mode, the charge pump's current output versus its phase stimulus (its gain linearity) must be extremely accurate. The CP gain linearizer automatically adds a correction current  $I_{LIN}$  to minimize the charge pump's impact on in-band phase noise and spurious products during fractional operation.

The CP gain linearizer is enabled by setting  $CPLE = 1$ . It is automatically disabled when in integer mode. CPLE should be set to 0 if CPRST or CPMID are asserted to prevent the linearizer from producing unintended currents.

### VCO

The integrated VCO is available in one of four frequency ranges. The output frequency range may be further extended by utilizing the output divider (see Available Options table, for more details). The wide frequency range of the VCO, coupled with the output divider capability, allows the LTC6948 to cover an extremely wide range of continuously selectable frequencies.

The BB and TB pins are used to bias internal VCO circuitry. The BB pin has a 2k output resistance and should be bypassed with a 1 $\mu$ F ceramic capacitor to GND, giving a time constant of 2ms. The TB pin has a 2.5k output resistance and should be bypassed with a 2.2 $\mu$ F ceramic capacitor to GND, resulting in a time constant of 5.5ms. Stable bias voltages are achieved after approximately 3 time constants following power-up.

### VCO Calibration

*The VCO must be calibrated each time its frequency is changed* by changing any of  $f_{REF}$ , the R divider value, the N divider value, or  $\Delta\Sigma$  modulator fractional value, but not the O divider (see the Applications Information section

## OPERATION

for the relationship between R, N, NUM, O, and the  $f_{REF}$ ,  $f_{PFD}$ ,  $f_{VCO}$ , and  $f_{RF}$  frequencies). *The output frequency is then stable over the LTC6948's entire temperature range, regardless of the temperature at which it was calibrated, until the part is reset due to a power cycle or software power-on reset (POR).*

The output of the B divider is used to clock digital calibration circuitry as shown in the Block Diagram. The B value, programmed with bits BD[3:0], and  $f_{PFD}$  determine the calibration frequency  $f_{CAL}$ . Calculate the B value using Equation 1.

$$B \geq \frac{f_{PFD}}{f_{CAL-MAX}} \quad (1)$$

The maximum calibration frequency  $f_{CAL-MAX}$  for each part option is shown in Table 8.

**Table 8. Maximum Calibration Frequency**

PART	$f_{CAL-MAX}$ (MHz)
LTC6948-1	1.0
LTC6948-2	1.33
LTC6948-3	1.7
LTC6948-4	1.8

The relationship between bits BD(3:0) and the B value is shown in Table 9.

**Table 9. BD[3:0] Programming**

BD[3:0]	B DIVIDE VALUE
0	8
1	12
2	16
3	24
4	32
5	48
6	64
7	96
8	128
9	192
10	256
11	384
12 to 15	Invalid

Once the RD[4:0], ND[9:0], NUM[17:0], and BD[3:0] bits are written and the reference frequency  $f_{REF}$  is present and stable at the REF $\pm$  inputs, the VCO must be calibrated by setting CAL = 1 (the bit is self-clearing). The calibration cycle takes between 12 and 14 clocks of the B divider output. The MTCAL bit may be set to mute the RF output during the calibration.

*Note that the  $f_{REF}$  frequency and TB and BB voltages must be stable for proper calibration. Stable bias voltages are achieved after approximately 3 time constants following power-up.*

Setting AUTOCAL = 1 causes the CAL bit to be set automatically whenever any of serial port registers h06 through h0A is written. When AUTOCAL is enabled, there is no need for a separate register write to set the CAL bit. See Table 10 for a summary of the VCO bits.

**Table 10. VCO Bit Descriptions**

BIT	DESCRIPTION
AUTOCAL	Calibrate VCO Whenever Registers h06 to h0A Are Written
CAL	Start VCO Calibration (Auto Clears)
MTCAL	Mute RF Output During Calibration

### VCO Automatic Level Control (ALC)

The VCO uses an internal automatic level control (ALC) algorithm to maintain an optimal amplitude on the VCO resonator, and thus optimal phase noise performance. The user has several ALC configuration and status reporting options as seen in Table 11.

**Table 11. ALC Bit Descriptions**

BIT	DESCRIPTION
ALCCAL	Auto Enable ALC during CAL operation
ALCEN	Always Enable ALC (Overrides ALCCAL, ALCMON, and ALCULOK)
ALCHI	ALC too High Flag (Resonator Amplitude too High)
ALCLO	ALC too Low Flag (Resonator Amplitude too Low)
ALCMON	Enable ALC Monitoring for Status Flags Only; Does Not Enable Amplitude Control
ALCULOK	Auto Enable ALC when PLL Unlocked

## OPERATION

Changes in the internal ALC output can cause extremely small jumps in the VCO frequency. These jumps may be acceptable in some applications but not in others. Use the above table to choose when the ALC is active. The ALCHI and ALCLO flags, valid only when the ALC is active or the ALCMON bit is set, may be used to monitor the resonator amplitude.

*The ALC must be allowed to operate during or after a calibration cycle. At least one of the ALCCAL, ALCEN, or ALCULOK bits must be set.*

### VCO (N) DIVIDER

The 10-bit N divider provides the feedback from the VCO to the PFD. Its divide ratio N is restricted to any integer from 35 to 1019, inclusive, when in fractional mode. The divide ratio may be programmed from 32 to 1023, inclusive, when in integer mode. Use the ND[9:0] bits found in registers h06 and h07 to directly program the N divide ratio. See the Applications Information section for the relationship between N and the  $f_{REF}$ ,  $f_{PFD}$ ,  $f_{VCO}$ , and  $f_{RF}$  frequencies.

### $\Delta\Sigma$ MODULATOR

The  $\Delta\Sigma$  modulator changes the N divider's ratio each PFD cycle to achieve an average fractional divide ratio. The fractional numerator NUM[17:0] is programmable from 1 to 262143, or  $2^{18} - 1$ . The fractional denominator is fixed at 262144 (or  $2^{18}$ ), with the resulting fractional ratio F given by Equation 4. See the Applications Information section for the relationship between NUM, F, and the  $f_{REF}$ ,  $f_{PFD}$ ,  $f_{VCO}$ , and  $f_{RF}$  frequencies.

The  $\Delta\Sigma$  modulator uses digital signal processing (DSP) techniques to achieve an average fractional divide ratio. The modulator is clocked at the  $f_{PFD}$  rate. This process produces output modulation noise known as quantization noise with a highpass frequency response. The external lowpass loop filter is used to filter this quantization noise to a level beneath the phase noise of the VCO. This prevents

the noise from contributing to the overall phase noise of the system. The loop filter must be designed to adequately filter the quantization noise.

The oversampling ratio OSR is defined as the ratio of the  $\Delta\Sigma$  modulator clock frequency  $f_{PFD}$  to the loop bandwidth BW of the PLL (see Equation 11). See the Applications Information section for guidelines concerning the OSR and the loop filter.

When the desired output frequency is such that the needed NUM value is 0, the LTC6948 should be operated in integer mode (INTN = 1). In integer mode, the modulator is placed in standby, with all blocks still powered up, thus allowing it to resume fractional operation immediately.

Enable numerator dither mode (DITHEN = 1) to further reduce spurious produced by the modulator. Dither has no measurable impact on in-band phase noise, and is enabled by default. See Table 12 for a complete list of modulator bit descriptions.

### Modulator Reset

To achieve consistent spurious performance, the modulator DSP circuitry should be re-initialized by setting RSTFN = 1 whenever NUM[17:0] is changed. Setting AUTORST = 1 causes the RSTFN bit to be set automatically whenever any of serial port registers h05 through h0A are written. When AUTORST is enabled, there is no need for a separate register write to set the RSTFN bit. See Table 12 for a summary of the modulator bits.

**Table 12. Fractional Modulator Bit Descriptions**

BIT	DESCRIPTION
AUTORST	Automatically Reset Modulator when Registers h05 to h0A Are Written
DITHEN	Enable Fractional Numerator Dither
INTN	Integer Mode; Fractional Modulator Placed in Standby
RSTFN	Reset Modulator (Auto Clears)
SEED	Seed Value for Pseudorandom Dither Algorithm

## OPERATION

### LDO REGULATOR

The adjustable low dropout (LDO) regulator supplies power to the  $\Delta\Sigma$  modulator. The regulator requires a low ESR ceramic capacitor ( $ESR < 0.8\Omega$ ) connected to the LDO pin (pin 7) for stability. The capacitor value may range from  $0.047\mu\text{F}$  to  $1\mu\text{F}$ .

The LDO voltage is set using the LDOV[1:0] bits, and should be chosen based upon the  $f_{\text{PFD}}$  frequency to minimize power and spurious. The regulator is disabled by setting the LDOEN bit to 0. When disabled by using either the LDOEN or PDFN bits, the LDO pin is connected directly to  $V_{\text{D}}^+$  using a low impedance switch, and the regulator is powered down. See Table 13 for programming details.

**Table 13. LDOV[1:0] and LDOEN Programming**

LDOV[1:0]	LDOEN	$V_{\text{LDO}}$	$f_{\text{PFD}}$
0	1	1.7V	$\leq 34.3\text{MHz}$
1	1	2.0V	$\leq 45.9\text{MHz}$
2	1	2.3V	$\leq 56.1\text{MHz}$
3	1	2.6V	$\leq 66.3\text{MHz}$
X	0	$V_{\text{D}}^+$	$\leq 76.1\text{MHz}$

### OUTPUT (O) DIVIDER

The 3-bit O divider can reduce the frequency from the VCO to extend the output frequency range. Its divide ratio O may be set to any integer from 1 to 6, inclusive, outputting a 50% duty cycle even with odd divide values. Use the OD[2:0] bits found in register h0B to directly program the O divide ratio. See the Applications Information section for the relationship between O and the  $f_{\text{REF}}$ ,  $f_{\text{PFD}}$ ,  $f_{\text{VCO}}$ , and  $f_{\text{RF}}$  frequencies.

### RF OUTPUT BUFFER

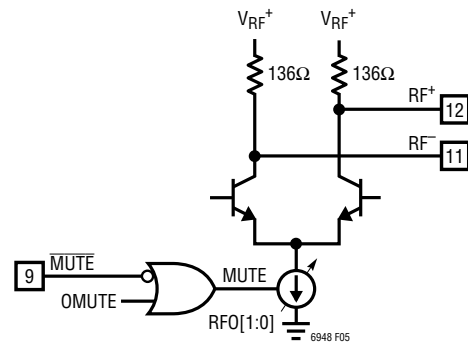
The low noise, differential output buffer produces a differential output power of  $-4.3\text{dBm}$  to  $+4.5\text{dBm}$ , settable with bits RFO[1:0] according to Table 14. The outputs may

be combined externally, or used individually. Terminate any unused output with a  $50\Omega$  resistor to  $V_{\text{RF}}^+$ .

**Table 14. RFO[1:0] Programming**

RFO[1:0]	$P_{\text{RF}}$ (DIFFERENTIAL)	$P_{\text{RF}}$ (SINGLE-ENDED)
0	$-4.3\text{dBm}$	$-7.3\text{dBm}$
1	$-1.5\text{dBm}$	$-4.5\text{dBm}$
2	$1.6\text{dBm}$	$-1.4\text{dBm}$
3	$4.5\text{dBm}$	$1.5\text{dBm}$

Each output is open-collector with  $136\Omega$  pull-up resistors to  $V_{\text{RF}}^+$ , easing impedance matching at high frequencies. See Figure 5 for circuit details and the Applications Information section for matching guidelines. The buffer may be muted with either the OMUTE bit, found in register h02, or by forcing the MUTE input low.



**Figure 5. Simplified RF Interface Schematic**

### SERIAL PORT

The SPI-compatible serial port provides control and monitoring functionality. A configurable status output STAT gives additional instant monitoring.

### Communication Sequence

The serial bus is comprised of  $\overline{\text{CS}}$ , SCLK, SDI, and SDO. Data transfers to the part are accomplished by the serial bus master device first taking  $\overline{\text{CS}}$  low to enable the LTC6948's port. Input data applied on SDI is clocked on

## OPERATION

the rising edge of SCLK, with all transfers *MSB first*. The communication burst is terminated by the serial bus master returning  $\overline{CS}$  high. See Figure 6 for details.

Data is read from the part during a communication burst using SDO. Readback may be multidrop (more than one LTC6948 connected in parallel on the serial bus), as SDO is three-stated (Hi-Z) when  $\overline{CS} = 1$ , or when data is not being read from the part. *If the LTC6948 is not used in a multidrop configuration, or if the serial port master is not capable of setting the SDO line level between read sequences, it is recommended to attach a high value resistor of greater than 200k between SDO and GND to ensure the line returns to a known level during Hi-Z states.* See Figure 7 for details.

### Single Byte Transfers

The serial port is arranged as a simple memory map, with status and control available in 15 byte-wide registers. All data bursts are comprised of at least two bytes. The seven most significant bits of the first byte are the register address, with an LSB of 1 indicating a read from the part, and LSB of 0 indicating a write to the part. The subsequent byte, or bytes, is data from/to the specified register address. See Figure 8 for an example of a detailed write sequence, and Figure 9 for a read sequence.

Figure 10 shows an example of two write communication bursts. The first byte of the first burst sent from the serial bus master on SDI contains the destination register address

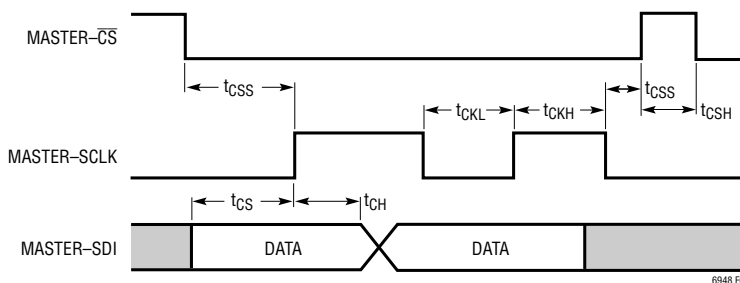


Figure 6. Serial Port Write Timing Diagram

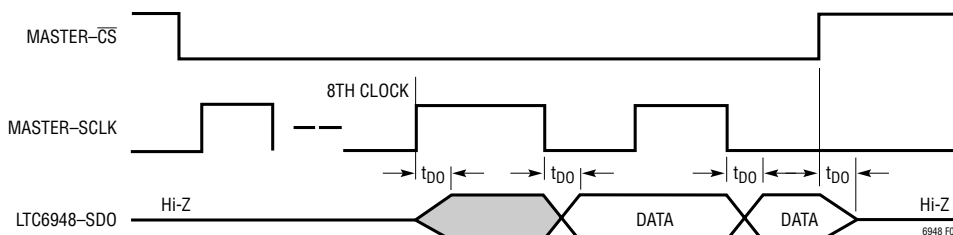


Figure 7. Serial Port Read Timing Diagram

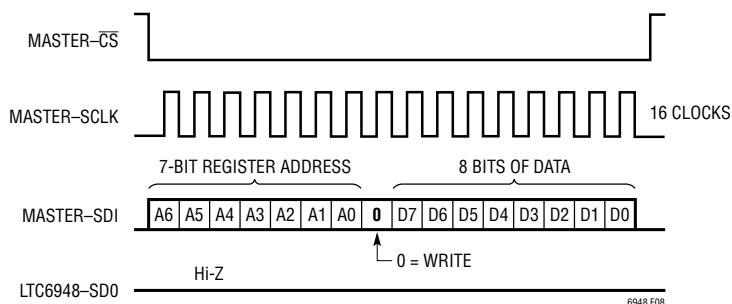


Figure 8. Serial Port Write Sequence



## OPERATION

(Addr0) and an LSB of 0 indicating a write. The next byte is the data intended for the register at address Addr0.  $\overline{CS}$  is then taken high to terminate the transfer. The first byte of the second burst contains the destination register address (Addr1) and an LSB indicating a write. The next byte on SDI is the data intended for the register at address Addr1.  $\overline{CS}$  is then taken high to terminate the transfer.

### Multiple Byte Transfers

More efficient data transfer of multiple bytes is accomplished by using the LTC6948's register address auto-increment feature as shown in Figure 11. The serial port master sends the destination register address in the first

byte and its data in the second byte as before, but continues sending bytes destined for subsequent registers. Byte 1's address is Addr0+1, Byte 2's address is Addr0+2, and so on. If the register address pointer attempts to increment past 14 (h0E), it is automatically reset to 0.

An example of an auto-increment read from the part is shown in Figure 12. The first byte of the burst sent from the serial bus master on SDI contains the destination register address (Addr0) and an LSB of 1 indicating a read. Once the LTC6948 detects a read burst, it takes SDO out of the Hi-Z condition and sends data bytes sequentially, beginning with data from register Addr0. The part ignores all other data on SDI until the end of the burst.

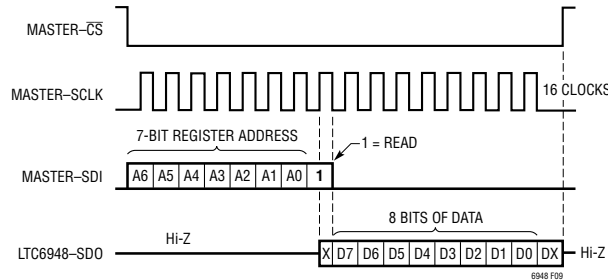


Figure 9. Serial Port Read Sequence

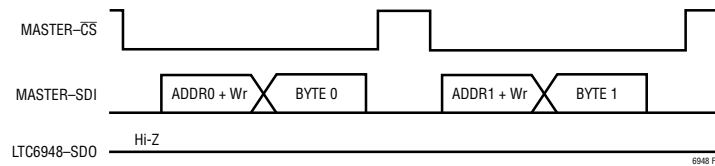


Figure 10. Serial Port Single Byte Write

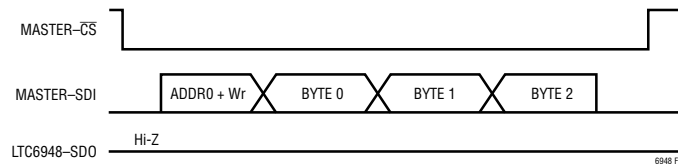


Figure 11. Serial Port Auto-Increment Write

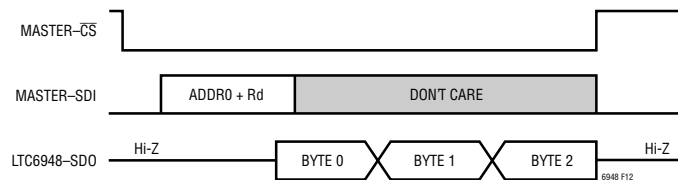


Figure 12. Serial Port Auto-Increment Read



## OPERATION

### Multidrop Configuration

Several LTC6948s may share the serial bus. In this multidrop configuration, SCLK, SDI, and SDO are common between all parts. The serial bus master must use a separate  $\overline{CS}$  for each LTC6948 and ensure that only one device has  $\overline{CS}$  asserted at any time. It is recommended to attach a high value resistor to SDO to ensure the line returns to a known level during Hi-Z states.

### Serial Port Registers

The memory map of the LTC6948 may be found below in Table 15, with detailed bit descriptions found in Table 16. The register address shown in hexadecimal format under the ADDR column is used to specify each register. Each register is denoted as either read-only (R) or read-write (R/W). The register's default value on device power-up or after a reset is shown at the right.

The read-only register at address h00 is used to determine different status flags. These flags may be instantly output on the STAT pin by configuring register h01. See STAT Output section that follows for more information.

The read-only register at address h0E is a ROM byte for device identification.

### STAT Output

The STAT output pin is configured with the x[5:0] bits of register h01. These bits are used to bit-wise mask, or enable, the corresponding status flags of status register h00, according to Equation 2. The result of this bit-wise Boolean operation is then output on the STAT pin.

$$\text{STAT} = \text{OR} (\text{Reg00}[5:0] \text{ AND } \text{Reg01}[5:0]) \quad (2)$$

or, expanded,

$$\begin{aligned} \text{STAT} = & (\text{UNLOCK AND } x[5]) \text{ OR} \\ & (\text{ALCHI AND } x[4]) \text{ OR} \\ & (\text{ALCLO AND } x[3]) \text{ OR} \\ & (\text{LOCK AND } x[2]) \text{ OR} \\ & (\text{THI AND } x[1]) \text{ OR} \\ & (\text{TLO AND } x[0]) \end{aligned}$$

For example, if the application requires STAT to go high whenever the ALCHI, ALCLO, or THI flags are set, then x[4], x[3], and x[1] should be set to 1, giving a register value of h1A.

**Table 15. Serial Port Register Contents**

ADDR	MSB	[6]	[5]	[4]	[3]	[2]	[1]	LSB	R/W	DEFAULT
h00	*	*	UNLOCK	ALCHI	ALCLO	LOCK	THI	TLO	R	
h01	*	*	x[5]	x[4]	x[3]	x[2]	x[1]	x[0]	R/W	h04
h02	PDALL	PDPLL	PDVCO	PDOUT	PDFN	MTCAL	OMUTE	POR	R/W	h06
h03	ALCEN	ALCMON	ALCCAL	ALCULOK	AUTOCAL	AUTORST	DITHEN	INTN	R/W	h3E
h04	BD[3]	BD[2]	BD[1]	BD[0]	CPL	LDOEN	LDOV[1]	LDOV[0]	R/W	h47
h05	SEED[7]	SEED[6]	SEED[5]	SEED[4]	SEED[3]	SEED[2]	SEED[1]	SEED[0]	R/W	h11
h06	RD[4]	RD[3]	RD[2]	RD[1]	RD[0]	*	ND[9]	ND[8]	R/W	h08
h07	ND[7]	ND[6]	ND[5]	ND[4]	ND[3]	ND[2]	ND[1]	ND[0]	R/W	hFA
h08	*	*	NUM[17]	NUM[16]	NUM[15]	NUM[14]	NUM[13]	NUM[12]	R/W	h3F
h09	NUM[11]	NUM[10]	NUM[9]	NUM[8]	NUM[7]	NUM[6]	NUM[5]	NUM[4]	R/W	hFF
h0A	NUM[3]	NUM[2]	NUM[1]	NUM[0]	*	*	RSTFN	CAL	R/W	hF0
h0B	BST	FILT[1]	FILT[0]	RFO[1]	RFO[0]	OD[2]	OD[1]	OD[0]	R/W	hF9
h0C	LKWIN[2]	LKWIN[1]	LKWIN[0]	LKCT[1]	LKCT[0]	CP[2]	CP[1]	CP[0]	R/W	h4F
h0D	CPCHI	CPCLO	CPMID	CPINV	CPWIDE	CPRST	CPUP	CPDN	R/W	hE4
h0E	REV[3]	REV[2]	REV[1]	REV[0]	PART[3]	PART[2]	PART[1]	PART[0]	R	hxx†

\*unused †varies depending on version

## OPERATION

### Block Power-Down Control

The LTC6948's power-down control bits are located in register h02, described in Table 16. Different portions of

the device may be powered down independently. *Care must be taken with the LSB of the register, the POR (power-on-reset) bit. When written to a 1, this bit forces a full reset of the part's digital circuitry to its power-up default state.*

**Table 16. Serial Port Register Bit Field Summary**

BITS	DESCRIPTION	DEFAULT
ALCCAL	Auto Enable ALC During CAL Operation	1
ALCEN	Always Enable ALC (Override)	1
ALCHI	ALC too Hi Flag	
ALCLO	ALC too Low Flag	
ALCMON	Enable ALC Monitor for Status Flags Only	0
ALCULOK	Enable ALC When PLL Unlocked	1
AUTOCAL	Calibrate VCOs Whenever Registers h06 to h0A Are Written	1
AUTORST	Reset Modulator Whenever Registers h05 to h0A Are Written	1
BD[3:0]	Calibration B Divider Value	h4
BST	REF Buffer Boost Current	1
CAL	Start VCO Calibration (Auto Clears)	0
CP[2:0]	CP Output Current	h7
CPCHI	Enable Hi-Voltage CP Output Clamp	1
GPCLO	Enable Low-Voltage CP Output Clamp	1
CPDN	Force CP Pump Down	0
CPINV	Invert CP Phase	0
CPLE	CP Linearizer Enable	0
CPMID	CP Bias to Mid-Rail	1
CPRST	CP Tri-State	1
CPUP	Force CP Pump Up	0
CPWIDE	Extend CP Pulse Width	0
DITHEN	Enable Fractional Numerator Dither	1
FILT[1:0]	REF Input Buffer Filter	h3
INTN	Integer Mode; Fractional Modulator Placed in Standby	0

BITS	DESCRIPTION	DEFAULT
LDOEN	LDO Enable	1
LDOV[1:0]	LDO Voltage	h3
LKCT[1:0]	PLL Lock Cycle Count	h1
LKWIN[2:0]	PLL Lock Indicator Window	h2
LOCK	PLL Lock Indicator Flag	
MTCAL	Mute RF Output During Calibration	1
ND[9:0]	N Divider Value (ND[9:0] ≥ 32)	h0FA
NUM[17:0]	Fractional Numerator Value	h3FFF
OD[2:0]	Output Divider Value (0 < OD[2:0] < 7)	h1
OMUTE	Mutes RF Output	1
PART[3:0]	Part Code (h01 for -1, h02 for -2, h03 for -3, h04 for -4 version)	h01, h02, h03, h04
PDALL	Full Chip Powerdown	0
PDFN	Powers Down LDO and Modulator Clock	0
PDOUT	Powers Down O_DIV, RF Output Buffer	0
PDPLL	Powers Down REF, R_DIV, PFD, CPUMP, N_DIV	0
PDVCO	Powers Down VCO, N_DIV	0
POR	Force Power-On-Reset	0
RD[4:0]	R Divider Value (RD[4:0] > 0)	h001
REV[3:0]	Rev Code	h1
RFO[1:0]	RF Output Power	h3
RSTFN	Force Modulator Reset (Auto Clears)	0
SEED[7:0]	Modulator Dither Seed Value	h11
THI	CP Clamp High Flag	
TLO	CP Clamp Low Flag	
UNLOK	PLL Unlock Flag	
x[5:0]	STAT Output OR Mask	h04

## APPLICATIONS INFORMATION

### INTRODUCTION

A PLL is a complex feedback system that may conceptually be considered a frequency multiplier. The system multiplies the frequency input at REF<sup>±</sup> and outputs a higher frequency at RF<sup>±</sup>. The PFD, charge pump, N divider, VCO and external loop filter form a feedback loop to accurately control the output frequency (see Figure 13).

The external loop filter is used to set the PLL's loop bandwidth BW. Lower bandwidths generally have better spurious performance and lower ΔΣ modulator quantization noise. Higher bandwidths can have better total integrated phase noise.

The R and O divider and input frequency f<sub>REF</sub> are used to set the output frequency resolution. When in fractional mode, the ΔΣ modulator changes the N divider's ratio each PFD cycle to produce an average fractional divide ratio. This achieves a much smaller frequency resolution for a given f<sub>PFD</sub> as compared to integer mode.

### OUTPUT FREQUENCY

When the loop is locked, the frequency f<sub>VCO</sub> (in Hz) produced at the output of the VCO is determined by the reference frequency f<sub>REF</sub>, the R and N divider values, and the fractional value F, given by Equation 3:

$$f_{VCO} = \frac{f_{REF} \cdot (N + F)}{R} \quad (3)$$

where the fractional value F is given by Equation 4:

$$F = \frac{NUM}{2^{18}} \quad (4)$$

NUM is programmable from 1 to 262143, or 2<sup>18</sup> - 1. When using the LTC6948 in integer mode, F = 0.

The PFD frequency f<sub>PFD</sub> is given by the following equation:

$$f_{PFD} = \frac{f_{REF}}{R} \quad (5)$$

and f<sub>VCO</sub> may be alternatively expressed as:

$$f_{VCO} = f_{PFD} \cdot (N + F) \quad (6)$$

The output frequency f<sub>RF</sub> produced at the output of the O divider is given by Equation 7:

$$f_{RF} = \frac{f_{VCO}}{O} \quad (7)$$

Using the above equations, the minimum output frequency resolution f<sub>STEP(MIN)</sub> produced by a unit change in the fractional numerator NUM while in fractional mode is given by Equation 8:

$$f_{STEP(MIN)} = \frac{f_{REF}}{R \cdot O \cdot 2^{18}} \quad (8)$$

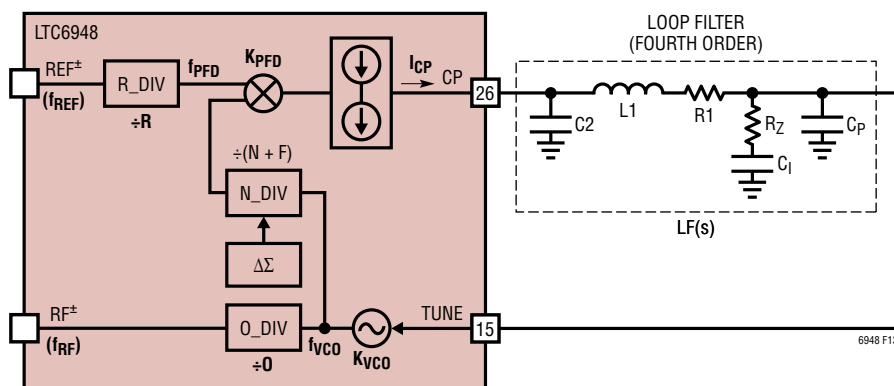


Figure 13. PLL Loop Diagram

## APPLICATIONS INFORMATION

Alternatively, to calculate the numerator step size  $NUM_{STEP}$  needed to produce a given frequency step  $f_{STEP(FRAC)}$ , use Equation 9:

$$NUM_{STEP} = \frac{f_{STEP(FRAC)} \cdot R \cdot O \cdot 2^{18}}{f_{REF}} \quad (9)$$

The output frequency resolution  $f_{STEP(INT)}$  produced by a unit change in N while in integer mode is given by Equation 10:

$$f_{STEP(INT)} = \frac{f_{REF}}{R \cdot O} \quad (10)$$

### LOOP FILTER DESIGN

A stable PLL system requires care in designing the external loop filter. The Linear Technology FracNWizard application, available from [www.linear.com](http://www.linear.com), aids in design and simulation of the complete system.

The loop design should use the following algorithm:

- 1) *Determine the output frequency  $f_{RF}$  and frequency step size  $f_{STEP}$  based on application requirements.* Using Equations 3, 5, 7, and 8, change  $f_{REF}$ , N, R, and O until the application frequency constraints are met. Use the minimum R value that still satisfies the constraints. Then calculate B using Equation 1 and Tables 8 and 9.
- 2) *Select the open loop bandwidth BW constrained by  $f_{PFD}$  and oversampling ratio OSR.* The OSR is the ratio of  $f_{PFD}$  to BW (see Equation 11):

$$OSR = \frac{f_{PFD}}{BW} \quad (11)$$

or

$$BW = \frac{f_{PFD}}{OSR}$$

where BW and  $f_{PFD}$  are in Hz.

A stable loop, both in integer and fractional mode, requires that the OSR is greater than or equal to 10. Further, in fractional mode, OSR must be high enough to allow the loop filter to reduce modulator quantization noise to an acceptable level.

Choosing a higher order loop filter when using the  $\Delta\Sigma$  modulator allows for a smaller OSR, and thus a larger loop bandwidth. Linear Technology's FracNWizard helps choose the appropriate OSR and BW values.

- 3) *Select loop filter component  $R_Z$  and charge pump current  $I_{CP}$  based on BW and the VCO gain factor,  $K_{VCO}$ .* BW (in Hz) is approximated by the following equation:

$$BW \approx \frac{I_{CP} \cdot R_Z \cdot K_{VCO}}{2 \cdot \pi \cdot N} \quad (12)$$

or

$$R_Z = \frac{2 \cdot \pi \cdot BW \cdot N}{I_{CP} \cdot K_{VCO}}$$

where  $K_{VCO}$  is in Hz/V,  $I_{CP}$  is in Amps, and  $R_Z$  is in Ohms.  $K_{VCO}$  is obtained from the VCO Tuning Sensitivity in the Electrical Characteristics. Use  $I_{CP} = 5.6\text{mA}$  to lower in-band noise unless component values force a lower setting.

- 4) *Select loop filter components  $C_1$  and  $C_P$  based on BW and  $R_Z$ .* A reliable second-order loop filter design can be achieved by using the following equations for the loop capacitors (in Farads).

$$C_1 = \frac{3.5}{2 \cdot \pi \cdot BW \cdot R_Z} \quad (13)$$

$$C_P = \frac{1}{7 \cdot \pi \cdot BW \cdot R_Z} \quad (14)$$

Use FracNWizard to aid in the design of higher order loop filters.

## APPLICATIONS INFORMATION

### DESIGN AND PROGRAMMING EXAMPLE

This programming example uses the DC1959 with the LTC6948-2. Assume the following parameters of interest:

$$f_{REF} = 100\text{MHz at } 7\text{dBm into } 50\Omega$$

$$f_{STEP} = 50\text{kHz}$$

$$f_{RF} = 1921.650\text{MHz}$$

From the Electrical Characteristics table:

$$f_{VCO} = 3.080\text{GHz to } 4.910\text{GHz}$$

$$K_{VCO\%} = 4.7\%\text{Hz/V to } 7\%\text{Hz/V}$$

### Determining Divider Values

Following the loop filter design algorithm, first determine all the divider values. The maximum  $f_{PFD}$  while in fractional mode is less than 100MHz, so R must be greater than 1.

$$R = 2$$

Then, using Equations 5 and 7, calculate the following values:

$$O = 2$$

$$f_{PFD} = 50\text{MHz}$$

Then using Equation 6:

$$N+F = \frac{2 \cdot 1921.650\text{MHz}}{50\text{MHz}} = 76.866$$

Therefore:

$$N = 76$$

$$F = 0.866$$

Then, from Equation 4,

$$\text{NUM} = 0.866 \cdot 2^{18} = 227017$$

Also, from Equation 1 and Tables 8 and 9 determine B:

$$B = 48 \text{ and } \text{BD}[3:0] = \text{h5}$$

A calibration cycle takes 12 to 14 clock cycles of  $f_{CAL}$ . This gives a VCO calibration time of approximately:

$$t_{CAL} \cong \frac{14}{f_{CAL}} = 14 \cdot \frac{B}{f_{PFD}} = 13.4\mu\text{s}$$

### Selecting Filter Type and Loop Bandwidth

The next step in the algorithm is choosing the open loop bandwidth. Select the minimum bandwidth resulting from the below constraints.

- 1) The OSR must be at least 10 (sets absolute maximum BW).
- 2) The integrated phase noise due to thermal noise should be minimized, neglecting any modulator noise.
- 3) The loop bandwidth must be narrow enough to adequately filter the modulator's quantization noise.

FracNWizard reports the loop bandwidths resulting from each of the above constraints. The quantization noise constrained results vary according to the shape of the external loop filter. FracNWizard reports an optimal bandwidth for several filter types.

FracNWizard reports the thermal noise optimized loop bandwidth is 211kHz. Filter 3 (fourth order response) has a quantization noise constrained BW of 150kHz, making it a good choice. Select Filter 3 and use the smaller of the two bandwidths (150kHz) for optimal integrated phase noise. Use Equation 11 to calculate OSR:

$$\text{OSR} = \frac{50\text{MHz}}{150\text{kHz}} = 333.3$$

## APPLICATIONS INFORMATION

### Loop Filter Component Selection

Now set loop filter resistor  $R_Z$  and charge pump current  $I_{CP}$ . Because the  $K_{VCO}$  varies over the VCO's frequency range, using the  $K_{VCO}$  geometric mean gives good results:

$$K_{VCO} = 3.843 \cdot 10^9 \cdot \sqrt{0.047 \cdot 0.07}$$

$$= 220.4\text{MHz/V}$$

Using an  $I_{CP}$  of 5.6mA, the FracNWizard uses Equation 12 to determine  $R_Z$ :

$$R_Z = \frac{2 \cdot \pi \cdot 150\text{k} \cdot 76}{5.6\text{m} \cdot 220.4\text{M}}$$

$$R_Z = 58.0\Omega$$

For the 4th order Filter 3, FracNWizard uses modified Equations 13 and 14 to calculate  $C_1$ ,  $C_P$ :

$$C_1 = \frac{4.5}{2 \cdot \pi \cdot 150\text{k} \cdot 58} = 82.3\text{nF}$$

$$C_P = \frac{1}{10.5 \cdot \pi \cdot 150\text{k} \cdot 58} = 3.5\text{nF}$$

FracNWizard calculates  $R_1$ ,  $L_1$ , and  $C_2$  to be:

$$R_1 = 58.0\Omega$$

$$C_2 = 2.3\text{nF}$$

$$L_1 = 7.8\mu\text{H}$$

### Status Output Programming

This example will use the STAT pin to alert the system whenever the LTC6948 generates a fault condition. Program  $x[5]$ ,  $x[4]$ ,  $x[3]$ ,  $x[1]$ ,  $x[0] = 1$  to force the STAT pin high whenever any of the UNLOCK, ALCHI, ALCL0, THI, or TLO flags asserts:

$$\text{Reg01} = \text{h3B}$$

### Power Register Programming

For correct PLL operation all internal blocks should be enabled. OMUTE may remain asserted (or the  $\overline{\text{MUTE}}$  pin held low) until programming is complete. For OMUTE = 1:

$$\text{Reg02} = \text{h02}$$

### VCO ALC, AUTOCAL, and AUTORST Programming

Set the ALC options (ALCMON = ALCULOK = ALCCAL = 1), the auto reset options (AUTOCAL = AUTORST = 1), and the  $\Delta\Sigma$  modulator modes (DITHEN = 1, INTN = 0) at the same time:

$$\text{Reg03} = \text{h7E}$$

The ALC will only be active during a calibration cycle or when the loop is unlocked, but the ALCHI and ALCL0 status conditions will be monitored continuously. The VCO will be calibrated and the  $\Delta\Sigma$  modulator will be reset at the end of the SPI write communication burst (assuming an auto-increment write is used to write all registers).

### LDO Programming

Use Table 13 and  $f_{\text{PFD}} = 50\text{MHz}$  to determine  $V(\text{LDO})$  and  $\text{LDOV}[1:0]$ :

$$V(\text{LDO}) = 2.3\text{V} \text{ and } \text{LDOV}[1:0] = 2$$

Use  $\text{LDOV}[1:0]$ ,  $\text{LDOEN} = 1$  to enable the LDO, and the previously determined  $\text{BD}[3:0]$  value to set  $\text{Reg04}$ .  $\text{CPLD}$  should be set to 1 to reduce in-band noise and spurious due to the  $\Delta\Sigma$  modulator:

$$\text{Reg04} = \text{h5E}$$

### SEED Programming

The  $\text{SEED}[7:0]$  value is used to initialize the  $\Delta\Sigma$  modulator dither circuitry. Use the default value:

$$\text{Reg05} = \text{h11}$$

## APPLICATIONS INFORMATION

### R and N Divider and Numerator Programming

Program registers Reg06 to Reg0A with the previously determined R and N divider and numerator values. Because the AUTORST and AUTOCAL bits were previously set to 1, CAL and RSTFN do not need to be set:

$$\text{Reg06} = \text{h10}$$

$$\text{Reg07} = \text{h4C}$$

$$\text{Reg08} = \text{h37}$$

$$\text{Reg09} = \text{h6C}$$

$$\text{Reg0A} = \text{h90}$$

### Reference Input Settings and Output Divider Programming

From Table 1, FILT = 0 for a 100MHz reference frequency. Next, convert 7dBm into  $V_{P-P}$ . For a CW tone, use the following equation with R = 50:

$$V_{P-P} \cong \sqrt{R} \cdot 10^{(\text{dBm} - 21)/20} \quad (15)$$

This gives  $V_{P-P} = 1.41\text{V}$ , and, according to Table 2, set BST = 1.

Now program Reg0B, assuming maximum RF $\pm$  output power (RFO[1:0] = 3 according to Table 14) and OD[2:0] = 2:

$$\text{Reg0B} = \text{h9A}$$

### Lock Detect and Charge Pump Current Programming

Next, determine the lock indicator window from  $f_{PFD}$ . From Table 3 we see that LKWIN[1:0] = 0 with a  $t_{LWW}$  of 5ns for CPLE = 1 and  $f_{VCO} = 3.843\text{GHz}$ . The LTC6948 will consider the loop locked as long as the phase coincidence at the PFD is within 90°, as calculated below.

$$\begin{aligned} \text{phase} &= 360^\circ \cdot t_{LWW} \cdot f_{PFD} = 360 \cdot 5\text{n} \cdot 50\text{M} \\ &= 90^\circ \end{aligned}$$

Choosing the correct COUNTS value depends upon the OSR. Smaller ratios dictate larger COUNTS values, although application requirements will vary. A COUNTS value of 32 will work for the OSR of 333. From Table 5, LKCT[1:0] = 1 for 32 counts.

Using Table 6 with the previously selected  $I_{CP}$  of 5.6mA gives CP[3:0] = 7. This gives enough information to program Reg0C:

$$\text{Reg0C} = \text{h0D}$$

### Charge Pump Function Programming

This example uses the additional voltage clamp features to allow the monitoring of fault conditions by setting CPCHI = 1 and CPCL0 = 1. If something occurs and the system can no longer lock to its intended frequency, the charge pump output will move toward either GND or  $V_{CP}^+$ , thereby setting either the TLO or THI status flags, respectively. Disable all the other charge pump functions (GPMID, CPINV, CPRST, CPUP, and CPDN), allowing the loop to lock:

$$\text{Reg0D} = \text{hC0}$$

The loop should now lock. Now un-mute the output by setting OMUTE = 0 (assumes the  $\overline{\text{MUTE}}$  pin is high).

$$\text{Reg02} = \text{h04}$$



## APPLICATIONS INFORMATION

### REFERENCE SOURCE CONSIDERATIONS

A high quality signal must be applied to the REF<sup>±</sup> inputs as they provide the frequency reference to the entire PLL. As mentioned previously, to achieve the part's in-band phase noise performance, apply a CW signal of at least 6dBm into 50Ω, or a square wave of at least 0.5V<sub>p-p</sub> with slew rate of at least 40V/μs.

The LTC6948 may be driven single-ended to CMOS levels (greater than 2.7V<sub>p-p</sub>). Apply the reference signal at REF<sup>+</sup>, and bypass REF<sup>-</sup> to GND with a 47pF capacitor. The BST bit must also be set to 0, according to guidelines given in Table 2.

The LTC6948 achieves an integer mode in-band normalized phase noise floor L<sub>NORM(INT)</sub> = -226dBc/Hz typical, and a fractional mode phase noise floor L<sub>NORM(FRAC)</sub> = -225dBc/Hz typical. To calculate its equivalent input phase noise floor L<sub>IN</sub>, use the following Equation 16.

$$L_{IN} = L_{NORM} + 10 \cdot \log_{10}(f_{REF}) \quad (16)$$

For example, using a 10MHz reference frequency in integer mode gives an input phase noise floor of -156dBc/Hz. The reference frequency source's phase noise must be at least 3dB better than this to prevent limiting the overall system performance.

### IN-BAND OUTPUT PHASE NOISE

The in-band phase noise floor L<sub>OUT</sub> produced at f<sub>RF</sub> may be calculated by using Equation 17.

$$L_{OUT} = L_{NORM} + 10 \cdot \log_{10}(f_{PFD}) + 20 \cdot \log_{10}(f_{RF}/f_{PFD}) \quad (17)$$

or

$$L_{OUT} \approx L_{NORM} + 10 \cdot \log_{10}(f_{PFD}) + 20 \cdot \log_{10}(N/O)$$

where L<sub>NORM</sub> is -226dBc/Hz for integer mode and -225dBc/Hz for fractional mode. See the Typical Performance Characteristics section for graphs showing L<sub>NORM</sub> variation versus I<sub>CP</sub> and f<sub>VCO</sub>.

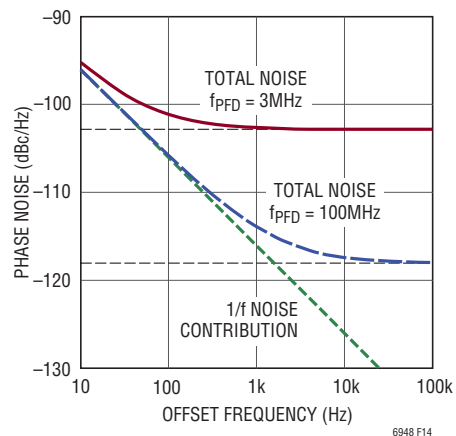
As can be seen from Equation 17 for a given PFD frequency f<sub>PFD</sub>, the output in-band phase noise increases at a 20dB-per-decade rate with the N divider count. So, for a given output frequency f<sub>RF</sub>, f<sub>PFD</sub> should be as large as possible (or N should be as small as possible) while still satisfying the application's frequency step size requirements.

### OUTPUT PHASE NOISE DUE TO 1/f NOISE

In-band phase noise at very low offset frequencies may be influenced by the LTC6948's 1/f noise, depending upon f<sub>PFD</sub>. Use the normalized in-band 1/f noise L<sub>1/f</sub> of -274dBc/Hz with Equation 18 to approximate the output 1/f phase noise at a given frequency offset f<sub>OFFSET</sub>.

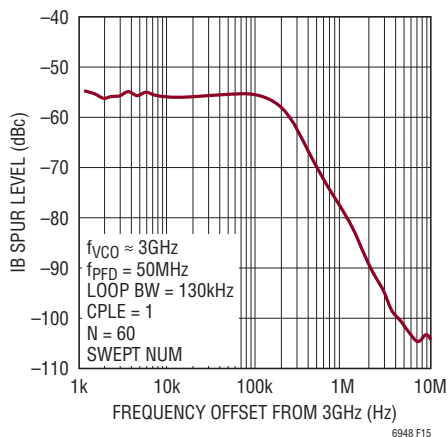
$$L_{OUT(1/f)}(f_{OFFSET}) = L_{1/f} + 20 \cdot \log_{10}(f_{RF}) - 10 \cdot \log_{10}(f_{OFFSET}) \quad (18)$$

Unlike the in-band noise floor L<sub>OUT</sub>, the 1/f noise L<sub>OUT(1/f)</sub> does not change with f<sub>PFD</sub>, and is not constant over offset frequency. See Figure 14 for an example of integer mode in-band phase noise for f<sub>PFD</sub> equal to 3MHz and 100MHz. The total phase noise will be the summation of L<sub>OUT</sub> and L<sub>OUT(1/f)</sub>.



**Figure 14. Theoretical Integer Mode In-Band Phase Noise, f<sub>RF</sub> = 2500MHz**

## APPLICATIONS INFORMATION



**Figure 15. Integer Boundary Spur Power vs Frequency Offset from Boundary, LTC6948-1**

### INTEGER BOUNDARY SPURS

Integer boundary spurs are caused by intermodulation between harmonics of the PFD frequency  $f_{\text{PFD}}$  and the VCO frequency  $f_{\text{VCO}}$ . The coupling between the frequency source harmonics can occur either on- or off-chip. The spurs are located at offset frequencies defined by the beat frequency between the reference harmonics and the VCO frequency, and are attenuated by the loop filter. The spurs only occur while in fractional mode.

Integer boundary spurs are most commonly seen when the fractional value  $F$  approaches either zero or one such that the VCO frequency offset from an integer frequency is within the loop bandwidth:

$$f_{\text{PFD}} \cdot F \leq \text{BW}$$

or

$$f_{\text{PFD}} \cdot (1 - F) \leq \text{BW}$$

The spur will have a relatively constant power in-band, and be attenuated by the loop out-of-band. An example integer boundary spur measurement is shown in Figure 15.

### RF OUTPUT MATCHING

The  $\text{RF}^{\pm}$  outputs may be used in either single-ended or differential configurations. Using both RF outputs differentially will result in approximately 3dB more output power than single-ended. Impedance matching to an external load in both cases requires external chokes tied to  $V_{\text{RF}}^{+}$ . Measured  $\text{RF}^{\pm}$  S-parameters are shown below in Table 17 to aid in the design of impedance matching networks.

**Table 17. Single-Ended RF Output Impedance**

FREQUENCY (MHz)	IMPEDANCE ( $\Omega$ )	S11 (dB)
100	133.0 – j16.8	–6.7
500	110.8 – j46.1	–6.8
1000	74.9 – j57.0	–6.9
1500	49.0 – j51.3	–6.7
2000	34.4 – j41.4	–6.5
2500	27.0 – j32.1	–6.5
3000	23.2 – j24.1	–6.6
3500	21.6 – j15.9	–7.1
4000	20.9 – j7.7	–7.5
4500	20.1 – j0.2	–7.4
5000	18.1 + j7.4	–6.4
5500	16.7 + j12.5	–5.6
6000	17.1 + j16.1	–5.5
6500	20.2 + j20.1	–6.2
7000	26.9 + j24.6	–7.6
7500	38.8 + j32.3	–8.8
8000	52.9 + j43.1	–8.2

## APPLICATIONS INFORMATION

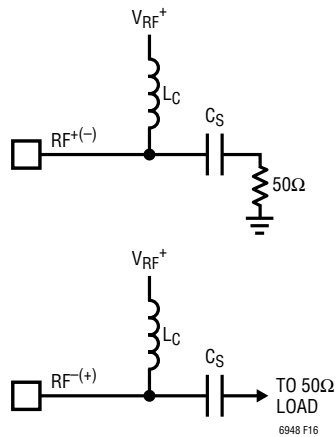


Figure 16. Single-Ended Output Matching Schematic

Single-ended impedance matching is accomplished using the circuit of Figure 16, with component values found in Table 18. *Using smaller inductances than recommended can cause phase noise degradation, especially at lower center frequencies.*

Table 18. Suggested Single-Ended Matching Component Values

$f_{RF}$ (MHz)	$L_C$ (nH)	$C_S$ (pF)
350 to 1500	180	270
1000 to 5800	68	100

Return loss measured on the DC1959 using the above component values is shown in Figure 17. A broadband match is achieved using an  $\{L_C, C_S\}$  of either  $\{68\text{nH}, 100\text{pF}\}$  or  $\{180\text{nH}, 270\text{pF}\}$ . However, for maximum output power and best phase noise performance, use the recommended component values of Table 18.  $L_C$  should be a wirewound inductor selected for maximum Q factor and SRF, such as the Coilcraft HP series of chip inductors.

The LTC6948's differential  $RF^\pm$  outputs may be combined using an external balun to drive a single-ended load. The advantages are approximately 3dB more output power than each output individually and better 2nd order harmonic performance.

For lower frequencies, transmission line (TL) baluns such as the M/A-COM MABACT0065 and the TOKO #617DB-1673 provide good results. At higher frequencies, surface mount

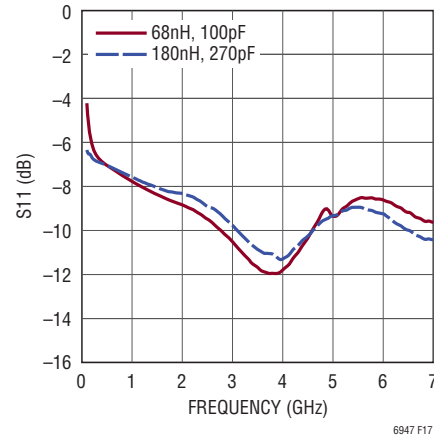


Figure 17. RF Single-Ended Return Loss

(SMT) baluns such as those produced by TDK, Anaren, and Johanson Technology, can be attractive alternatives. See Table 19 for recommended balun part numbers versus frequency range.

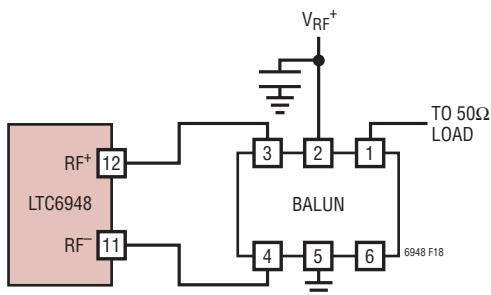
The listed SMT baluns contain internal chokes to bias  $RF^\pm$  and also provide input-to-output DC isolation. The pin denoted as GND or DC FEED should be connected to the  $V_{RF}^+$  voltage. Figure 18 shows a surface mount balun's connections with a DC FEED pin.

Table 19. Suggested Baluns

$f_{RF}$ (MHz)	PART NUMBER	MANUFACTURER	TYPE
350 to 900	#617DB-1673	TOKO	TL
400 to 600	HHM1589B1	TDK	SMT
600 to 1400	BD0810J50200	Anaren	SMT
600 to 3000	MABACT0065	M/A-COM	TL
1000 to 2000	HHM1518A3	TDK	SMT
1400 to 2000	HHM1541E1	TDK	SMT
1900 to 2300	2450BL15B100E	Johanson	SMT
2000 to 2700	HHM1526	TDK	SMT
3700 to 5100	HHM1583B1	TDK	SMT
4000 to 6000	HHM1570B1	TDK	SMT

The listed TL baluns do not provide input-to-output DC isolation and must be AC-coupled at the output. Figure 19 displays  $RF^\pm$  connections using these baluns.

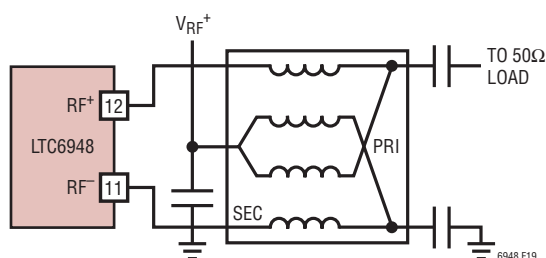
## APPLICATIONS INFORMATION



**BALUN PIN CONFIGURATION**

1	UNBALANCED PORT
2	GND OR DC FEED
3	BALANCED PORT
4	BALANCED PORT
5	GND
6	NC

**Figure 18. Example SMT Balun Connection**



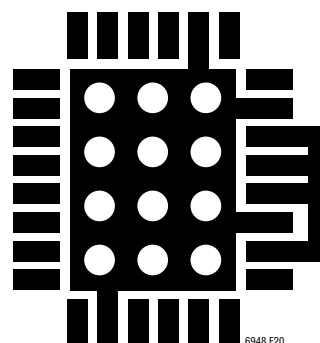
**Figure 19. Example TL Balun Connection**

### SUPPLY BYPASSING AND PCB LAYOUT GUIDELINES

Care must be taken when creating a PCB layout to minimize power supply decoupling and ground inductances. All power supply  $V^+$  pins should be bypassed directly to the ground plane using a  $0.1\mu\text{F}$  ceramic capacitor as close to the pin as possible. Multiple vias to the ground plane should be used for all ground connections, including to the power supply decoupling capacitors.

The package's exposed pad is a ground connection, and must be soldered directly to the PCB land pattern. The PCB land pattern should have multiple thermal vias to the ground plane for both low ground inductance and also low thermal resistance (see Figure 20 for an example). See [QFN Package Users Guide](#), page 8, on Linear Technology website's [Packaging Information page](#) for specific recommendations concerning land patterns and land via solder masks. A link is provided below.

<http://www.linear.com/designtools/packaging>



**Figure 20. Example Exposed Pad Land Pattern**

## APPLICATIONS INFORMATION

### REFERENCE SIGNAL ROUTING, SPURIOUS, AND PHASE NOISE

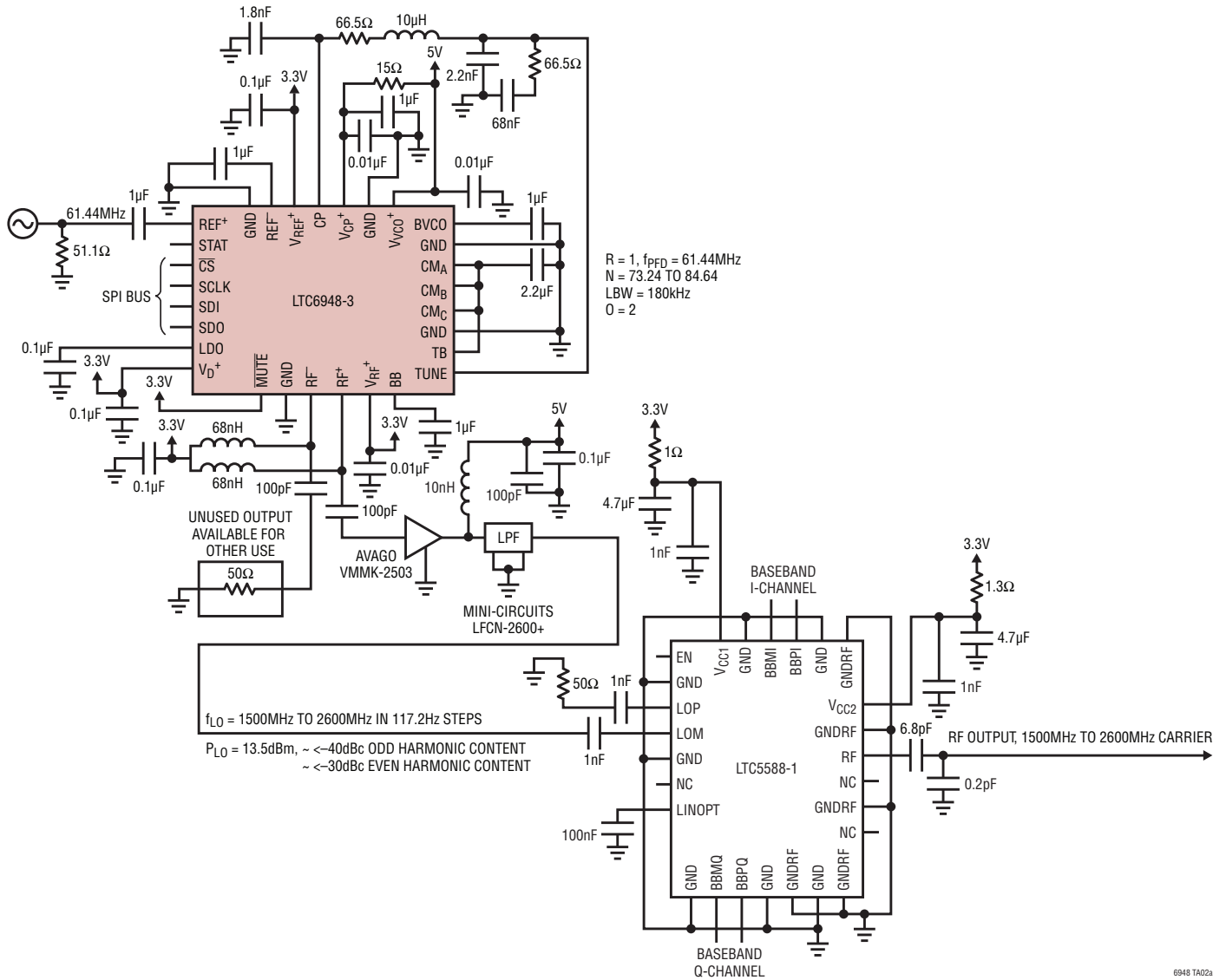
The charge pump operates at the PFD's comparison frequency  $f_{\text{PFD}}$ . The resultant output spurious energy is small and is further reduced by the loop filter before it modulates the VCO frequency.

However, improper PCB layout can degrade the LTC6948's inherent spurious performance. Care must be taken to prevent the reference signal  $f_{\text{REF}}$  from coupling onto the VCO's tune line, or into other loop filter signals. Example suggestions are the following.

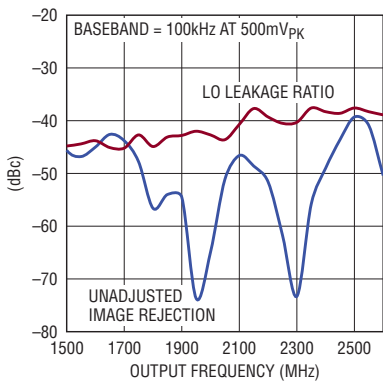
- 1) Do not share power supply decoupling capacitors between same-voltage power supply pins.
- 2) Use separate ground vias for each power supply decoupling capacitor, especially those connected to  $V_{\text{REF}}^+$ ,  $V_{\text{D}}^+$ , LDO,  $V_{\text{CP}}^+$ , and  $V_{\text{VCO}}^+$ .
- 3) Physically separate the reference frequency signal from the loop filter and VCO.
- 4) *Do not place a trace between the  $CM_A$ ,  $CM_B$ , and  $CM_C$  pads underneath the package, as worse phase noise could result.*

# TYPICAL APPLICATIONS

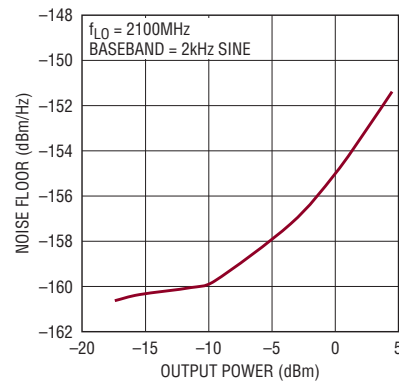
## Driving a Modulator LO for High Image Rejection and Low Noise Floor



**Measured Image Rejection and LO Leakage Ratio vs Output Frequency**



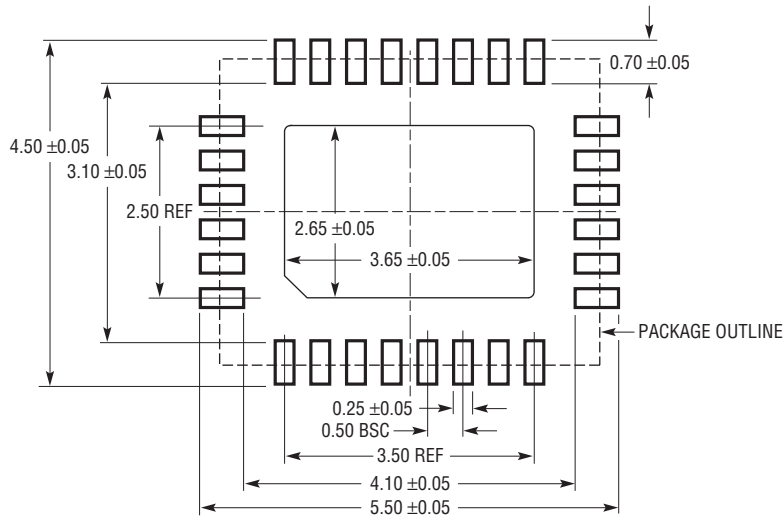
**Measured Noise Floor at 70MHz Offset vs RF Output Power**



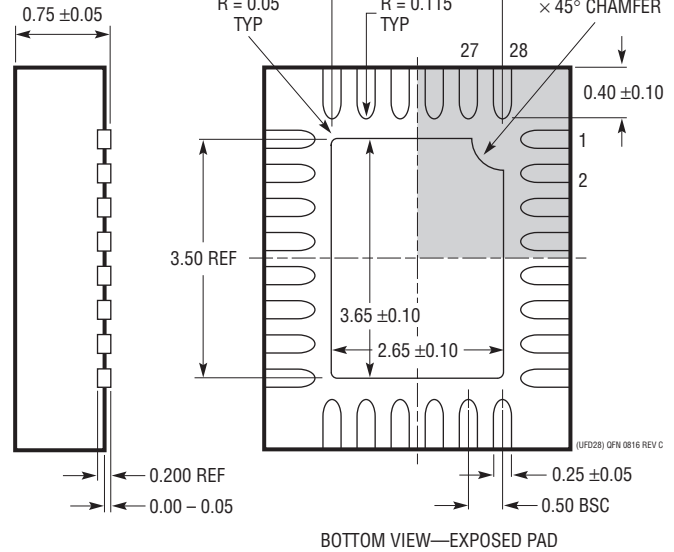
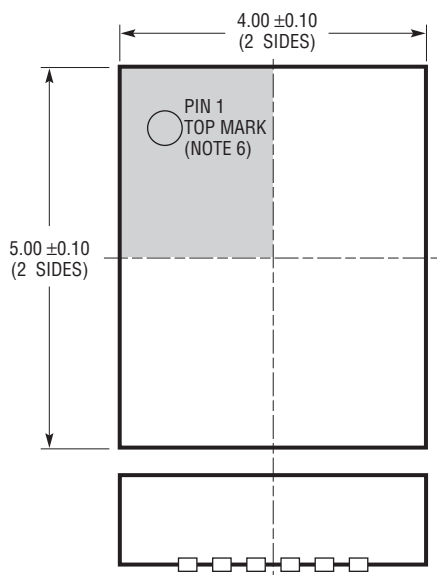
## PACKAGE DESCRIPTION

Please refer to <http://www.linear.com/product/LTC6948#packaging> for the most recent package drawings.

**UFD Package**  
**28-Lead Plastic QFN (4mm × 5mm)**  
 (Reference LTC DWG # 05-08-1712 Rev C)



RECOMMENDED SOLDER PAD PITCH AND DIMENSIONS  
 APPLY SOLDER MASK TO AREAS THAT ARE NOT SOLDERED



- NOTE:
1. DRAWING PROPOSED TO BE MADE A JEDEC PACKAGE OUTLINE MO-220 VARIATION (WGHD-3).
  2. DRAWING NOT TO SCALE
  3. ALL DIMENSIONS ARE IN MILLIMETERS
  4. DIMENSIONS OF EXPOSED PAD ON BOTTOM OF PACKAGE DO NOT INCLUDE MOLD FLASH. MOLD FLASH, IF PRESENT, SHALL NOT EXCEED 0.15mm ON ANY SIDE
  5. EXPOSED PAD SHALL BE SOLDER PLATED
  6. SHADED AREA IS ONLY A REFERENCE FOR PIN 1 LOCATION ON THE TOP AND BOTTOM OF PACKAGE



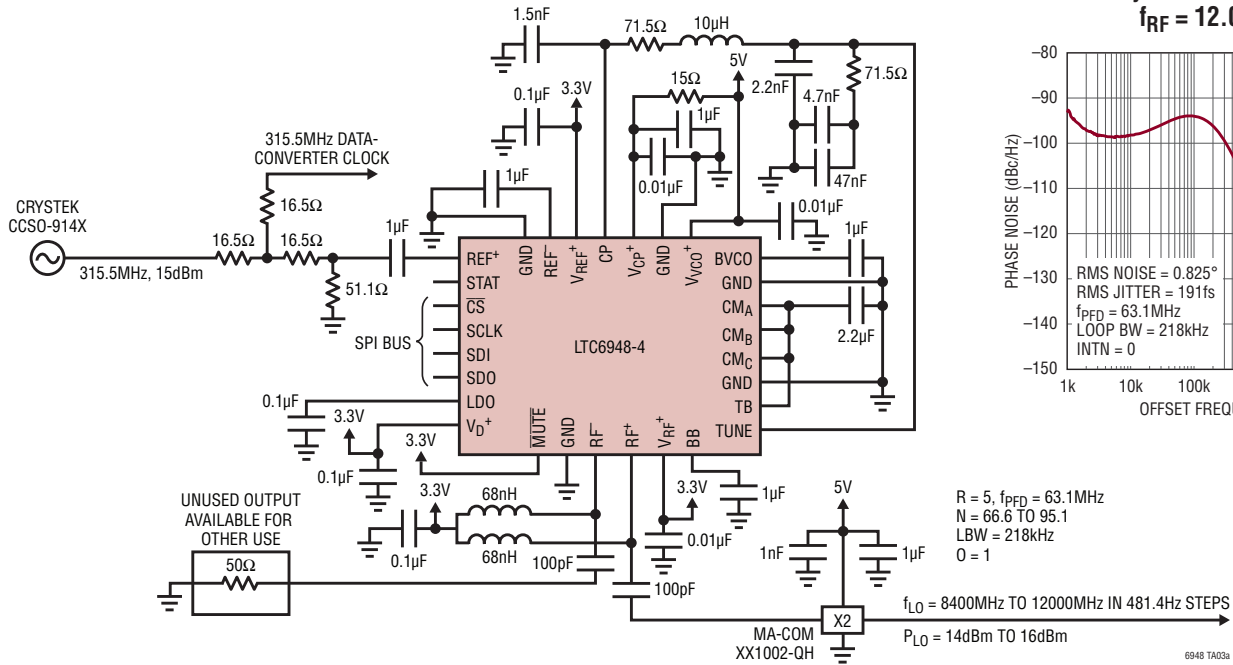
---

## REVISION HISTORY

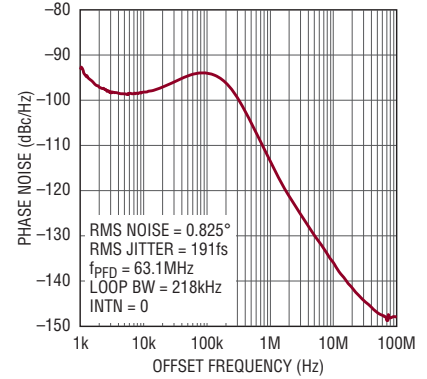
REV	DATE	DESCRIPTION	PAGE NUMBER
A	04/17	Corrected defaults for ALCULOK and BD[3:0].	24

## TYPICAL APPLICATIONS

Generating a 12GHz LO Signal



System Phase Noise  
 $f_{RF} = 12.024\text{GHz}$



## RELATED PARTS

PART NUMBER	DESCRIPTION	COMMENTS
<a href="#">LTC6946-x</a>	Ultralow Noise and Spurious Integer-N Synthesizer with Integrated VCO	370MHz to 6.4GHz, $-226\text{dBc/Hz}$ Normalized In-Band Phase Noise Floor, $-157\text{dBc/Hz}$ Wideband Output Phase Noise Floor
<a href="#">LTC6945</a>	Ultralow Noise and Spurious Integer-N Synthesizer	350MHz to 6GHz, $-226\text{dBc/Hz}$ Normalized In-Band Phase Noise Floor, $-157\text{dBc/Hz}$ Wideband Output Phase Noise Floor
<a href="#">LTC6947</a>	Ultralow Noise and Spurious Fractional-N Synthesizer	350MHz to 6GHz, $-226\text{dBc/Hz}$ Normalized In-Band Phase Noise Floor, $-157\text{dBc/Hz}$ Wideband Output Phase Noise Floor
<a href="#">LTC6957</a>	Low Phase Noise, Dual Output Buffer/Driver/Logic Converter	Optimized Conversion of Sine Waves to Logic Levels, LVPECL/LVDS/CMOS Outputs, DC-300MHz, 45fsRMS additive jitter (LVPECL)
<a href="#">LTC5540/LTC5541/LTC5542/LTC5543</a>	High Dynamic Range Downconverting Mixers	8dB Conversion Gain, 26.4dBm IIP3, 9.6dB NF, 600MHz to 4GHz
<a href="#">LTC5590/LTC5591/LTC5592/LTC5593</a>	High Linearity Dual Mixers	600MHz to 4.5GHz, 8.5dB Gain, 26.2dBm IIP3, 9.9dB NF
<a href="#">LTC5569</a>	Broadband Dual Mixer	300MHz to 4GHz, 26.8dBm IIP3, 2dB Gain, 11.7dB NF, 600mW Power
<a href="#">LTC5588-1</a>	Ultrahigh OIP3 I/Q Modulator	200MHz to 6GHz, 31dBm OIP3, $-160.6\text{dBm/Hz}$ Noise Floor
<a href="#">LT*5575</a>	Direct Conversion I/Q Demodulator	800MHz to 2.7GHz, 22.6dBm IIP3, 60dBm IIP2, 12.7dB NF

## Данный компонент на территории Российской Федерации

### Вы можете приобрести в компании MosChip.

Для оперативного оформления запроса Вам необходимо перейти по данной ссылке:

<http://moschip.ru/get-element>

Вы можете разместить у нас заказ для любого Вашего проекта, будь то серийное производство или разработка единичного прибора.

В нашем ассортименте представлены ведущие мировые производители активных и пассивных электронных компонентов.

Нашей специализацией является поставка электронной компонентной базы двойного назначения, продукции таких производителей как XILINX, Intel (ex.ALTERA), Vicor, Microchip, Texas Instruments, Analog Devices, Mini-Circuits, Amphenol, Glenair.

Сотрудничество с глобальными дистрибьюторами электронных компонентов, предоставляет возможность заказывать и получать с международных складов практически любой перечень компонентов в оптимальные для Вас сроки.

На всех этапах разработки и производства наши партнеры могут получить квалифицированную поддержку опытных инженеров.

Система менеджмента качества компании отвечает требованиям в соответствии с ГОСТ Р ИСО 9001, ГОСТ РВ 0015-002 и ЭС РД 009

### Офис по работе с юридическими лицами:

105318, г.Москва, ул.Щербаковская д.3, офис 1107, 1118, ДЦ «Щербаковский»

Телефон: +7 495 668-12-70 (многоканальный)

Факс: +7 495 668-12-70 (доб.304)

E-mail: [info@moschip.ru](mailto:info@moschip.ru)

Skype отдела продаж:

moschip.ru

moschip.ru\_4

moschip.ru\_6

moschip.ru\_9