

**Signal Analysis  
PICtail™ Daughter Board  
User's Guide**

---

**Note the following details of the code protection feature on Microchip devices:**

- Microchip products meet the specification contained in their particular Microchip Data Sheet.
- Microchip believes that its family of products is one of the most secure families of its kind on the market today, when used in the intended manner and under normal conditions.
- There are dishonest and possibly illegal methods used to breach the code protection feature. All of these methods, to our knowledge, require using the Microchip products in a manner outside the operating specifications contained in Microchip's Data Sheets. Most likely, the person doing so is engaged in theft of intellectual property.
- Microchip is willing to work with the customer who is concerned about the integrity of their code.
- Neither Microchip nor any other semiconductor manufacturer can guarantee the security of their code. Code protection does not mean that we are guaranteeing the product as "unbreakable."

Code protection is constantly evolving. We at Microchip are committed to continuously improving the code protection features of our products. Attempts to break Microchip's code protection feature may be a violation of the Digital Millennium Copyright Act. If such acts allow unauthorized access to your software or other copyrighted work, you may have a right to sue for relief under that Act.

---

Information contained in this publication regarding device applications and the like is intended through suggestion only and may be superseded by updates. It is your responsibility to ensure that your application meets with your specifications. No representation or warranty is given and no liability is assumed by Microchip Technology Incorporated with respect to the accuracy or use of such information, or infringement of patents or other intellectual property rights arising from such use or otherwise. Use of Microchip's products as critical components in life support systems is not authorized except with express written approval by Microchip. No licenses are conveyed, implicitly or otherwise, under any intellectual property rights.

**Trademarks**

The Microchip name and logo, the Microchip logo, Accuron, dsPIC, KEELOQ, microID, MPLAB, PIC, PICmicro, PICSTART, PRO MATE, PowerSmart, rPIC, and SmartShunt are registered trademarks of Microchip Technology Incorporated in the U.S.A. and other countries.


AmpLab, FilterLab, MXDEV, MXLAB, PICMASTER, SEEVAL, SmartSensor and The Embedded Control Solutions Company are registered trademarks of Microchip Technology Incorporated in the U.S.A.

Analog-for-the-Digital Age, Application Maestro, dsPICDEM, dsPICDEM.net, dsPICworks, ECAN, ECONOMONITOR, FanSense, FlexROM, fuzzyLAB, In-Circuit Serial Programming, ICSP, ICEPIC, Migratable Memory, MPASM, MPLIB, MPLINK, MPSIM, PICKit, PICDEM, PICDEM.net, PICLAB, PICTail, PowerCal, PowerInfo, PowerMate, PowerTool, rLAB, rPICDEM, Select Mode, Smart Serial, SmartTel and Total Endurance are trademarks of Microchip Technology Incorporated in the U.S.A. and other countries.

SQTP is a service mark of Microchip Technology Incorporated in the U.S.A.

All other trademarks mentioned herein are property of their respective companies.

© 2004, Microchip Technology Incorporated, Printed in the U.S.A., All Rights Reserved.

 Printed on recycled paper.

**QUALITY MANAGEMENT SYSTEM**  
**CERTIFIED BY DNV**  
**== ISO/TS 16949:2002 ==**

*Microchip received ISO/TS-16949:2002 quality system certification for its worldwide headquarters, design and wafer fabrication facilities in Chandler and Tempe, Arizona and Mountain View, California in October 2003. The Company's quality system processes and procedures are for its PICmicro® 8-bit MCUs, KEELOQ® code hopping devices, Serial EEPROMs, microperipherals, nonvolatile memory and analog products. In addition, Microchip's quality system for the design and manufacture of development systems is ISO 9001:2000 certified.*



# SIGNAL ANALYSIS PICtail™ DAUGHTER BOARD USER'S GUIDE

---

---

## Table of Contents

---

---

<b>Preface</b> .....	<b>1</b>
<b>Chapter 1. Signal Analysis PICtail™ Daughter Board</b>	
1.1 Introduction .....	7
1.2 Highlights .....	7
1.3 Signal Analysis PICtail Daughter Board Kit Contents .....	7
1.4 Signal Analysis PICtail Daughter Board .....	7
1.5 PIC16F684 Firmware .....	10
<b>Chapter 2. Using the PICkit™ 1 Signal Analysis PC Application</b>	
2.1 Introduction .....	13
2.2 Highlights .....	13
2.3 Programming PICA2Dlab Into The PIC16F684 .....	13
2.4 Mode Selection .....	15
2.5 Oscilloscope Plot .....	17
2.6 FFT (Fast Fourier Transform) .....	18
2.7 Histogram .....	20
<b>Chapter 3. Lesson Projects</b>	
3.1 Introduction .....	21
3.2 Highlights .....	21
3.3 Lesson 1 – Thermistor .....	21
3.4 Lesson 2 – Photodiode .....	23
3.5 Lesson 3 – Pulse Width Modulated Generated Sine Wave .....	26
<b>Chapter 4. Troubleshooting</b>	
4.1 Introduction .....	27
4.2 Common Problems .....	27
<b>Appendix A. Hardware Schematics</b>	
A.1 Introduction .....	29
<b>Worldwide Sales and Service</b> .....	<b>30</b>

# Signal Analysis PICtail™ Daughter Board User's Guide

---

---

NOTES:



# SIGNAL ANALYSIS PICtail™ DAUGHTER BOARD USER'S GUIDE

---

---

## Preface

---

---

### INTRODUCTION

This chapter contains general information about this user's guide and customer support that will be useful prior to using the Signal Analysis PICtail Daughter Board.

### HIGHLIGHTS

Items discussed in this chapter are:

- About this Guide
- Warranty Registration
- Recommended Reading
- Troubleshooting
- The Microchip Web Site
- Development Systems Customer Notification Service
- Customer Support

### ABOUT THIS GUIDE

This document describes how to use the Signal Analysis PICtail Daughter Board and the PICkit™ 1 Signal Analysis PC Application using the PICkit 1 Flash Starter Kit. The manual layout is as follows:

- **Chapter 1: Signal Analysis PICtail Daughter Board** – An overview of the Signal Analysis PICtail Daughter Board. It describes the PCB layout, parts and electrical connection to the PICkit 1 Flash Starter Kit.
- **Chapter 2: Using the PICkit 1 Signal Analysis PC Application** – This chapter explains the operation of the PICkit 1 Signal Analysis PC Application.
- **Chapter 3: Lesson Projects** – Lessons that describe the different concepts in controlling the signal analysis of the PIC microcontroller.
- **Chapter 4: Troubleshooting** – This chapter provides resolutions for solving common problems associated with using the Signal Analysis PICtail Daughter Board and steps on how to resolve them.
- **Appendix A: Hardware Schematics** – Illustrates the Signal Analysis PICtail Daughter Board hardware schematic diagrams.

# Signal Analysis PICtail™ Daughter Board User's Guide

## Conventions Used in This Guide

This manual uses the following documentation conventions:

### DOCUMENTATION CONVENTIONS

Description	Represents	Examples
<b>Code (Courier font):</b>		
Plain characters	Sample code Filenames and paths	#define START c:\autoexec.bat
Angle brackets: < >	Variables	<label>, <exp>
Square brackets [ ]	Optional arguments	MPASMWIN [main.asm]
Curly brackets and pipe character: {   }	Choice of mutually exclusive arguments; An OR selection	errorlevel {0 1}
Lower case characters in quotes	Type of data	"filename"
Ellipses...	Used to imply (but not show) additional text that is not relevant to the example	list ["list_option...", "list_option"]
0xnnn	A hexadecimal number where n is a hexadecimal digit	0xFFFF, 0x007A
Italic characters	A variable argument; it can be either a type of data (in lower case characters) or a specific example (in upper case characters).	char isascii (char, ch);
<b>Interface (Arial font):</b>		
Underlined, italic text with right arrow	A menu selection from the menu bar	<u>File &gt; Save</u>
Bold characters	A window or dialog button to click	<b>OK, Cancel</b>
Characters in angle brackets < >	A key on the keyboard	<Tab>, <Ctrl-C>
<b>Documents (Arial font):</b>		
Italic characters	Referenced books	<i>MPLAB IDE User's Guide</i>

## Documentation Updates

All documentation becomes dated, and this user's guide is no exception. Since the *Signal Analysis PICtail Daughter Board User's Guide* and other Microchip tools are constantly evolving to meet customer needs, some actual dialogs and/or tool descriptions may differ from those in this document. Please refer to our web site to obtain the latest documentation available.

## Documentation Numbering Conventions

Documents are numbered with a "DS" number. The number is located on the bottom of each page, in front of the page number. The numbering convention for the DS Number is: DSXXXXXA, where:

XXXXX = The document number.

A = The revision level of the document.

## WARRANTY REGISTRATION

Please complete the enclosed Warranty Registration Card and mail it promptly. Sending in your Warranty Registration Card entitles you to receive new product updates. Interim software releases are available at the Microchip web site.

## RECOMMENDED READING

This user's guide describes how to use the Signal Analysis PICtail Daughter Board and the PICKit 1 Signal Analysis PC Application using the PICKit 1 Flash Starter Kit. Other useful documents are listed below:

### **PICKit 1 Flash Starter Kit User's Guide (DS40051)**

Consult this document for instructions on how to use the PICKit 1 Flash Starter Kit hardware and software. (This document can be found on the PICKit 1 Flash Starter Kit CD-ROM (DS40049) included with the Signal Analysis PICtail Daughter Board Kit.)

### **PIC16C745/765 Data Sheet (DS41124)**

Consult this document for information regarding the PIC16C745 8-pin based, 8-bit CMOS Microcontroller with USB device specifications.

### **PIC16F684 Data Sheet (DS41202)**

Consult this document for information regarding the PIC16F684 14-pin Flash based, 8-bit CMOS Microcontroller device specifications.

### **MPLAB IDE User's Guide (DS51025)**

Consult this document for more information pertaining to the installation and features of the MPLAB Integrated Development Environment (IDE) Software.

### **MXLAB User's Guide (DS51220)**

Consult this document for more information regarding the Strip Chart, FFT and Histogram functions. (This document is only available on the Microchip web site.)

### **Microchip Web Site**

The Microchip web site ([www.microchip.com](http://www.microchip.com)) contains a wealth of documentation. Individual data sheets, application notes, tutorials and user's guides are all available for easy download. All documentation is in Adobe® Acrobat® (pdf) format.

## TROUBLESHOOTING

See Chapter 4 for information on common problems.

## THE MICROCHIP WEB SITE

Microchip provides on-line support on the Microchip World Wide Web (WWW) site. The web site is used by Microchip as a means to make files and information easily available to customers. To view the site, you must have access to the Internet and a web browser, such as, Netscape Navigator® or Microsoft® Internet Explorer.

The Microchip web site is available by using your favorite Internet browser to reach:

[www.microchip.com](http://www.microchip.com)

The web site provides a variety of services. Users may download files for the latest development tools, data sheets, application notes, user's guides, articles and sample programs. A variety of information specific to the business of Microchip is also available, including listings of Microchip sales offices, distributors and factory representatives.

## Technical Support

- Frequently Asked Questions (FAQ)
- On-line Discussion Groups – conferences for products, development systems, technical information and more
- Microchip Consultant Program Member Listing
- Links to other useful web sites related to Microchip products

## Engineer's Toolbox

- Design Tips
- Device Errata

## Other Available Information

- Latest Microchip Press Releases
- Listing of seminars and events
- Job Postings

## DEVELOPMENT SYSTEMS CUSTOMER NOTIFICATION SERVICE

Microchip started the customer notification service to help our customers keep current on Microchip products with the least amount of effort. Once you subscribe, you will receive e-mail notification whenever we change, update, revise or have errata related to your specified product family or development tool of interest.

Go to the Microchip web site at ([www.microchip.com](http://www.microchip.com)) and click on Customer Change Notification. Follow the instructions to register.

The Development Systems product group categories are:

- Compilers
- Emulators
- In-Circuit Debuggers
- MPLAB IDE
- Programmers

Here is a description of these categories:

**Compilers** – The latest information on Microchip C compilers and other language tools. These include the MPLAB C17, MPLAB C18 and MPLAB C30 C compilers; MPASM™ and MPLAB ASM30 assemblers; MPLINK™ and MPLAB LINK30 object linkers; MPLIB™ and MPLAB LIB30 object librarians.

**Emulators** – The latest information on Microchip in-circuit emulators. This includes the MPLAB ICE 2000 and MPLAB ICE 4000.

**In-Circuit Debuggers** – The latest information on the Microchip in-circuit debugger, MPLAB ICD 2.

**MPLAB IDE** – The latest information on Microchip MPLAB IDE, the Windows® Integrated Development Environment for development systems tools. This list is focused on the MPLAB IDE, MPLAB SIM and MPLAB SIM30 simulators, MPLAB IDE Project Manager and general editing and debugging features.

**Programmers** – The latest information on Microchip device programmers. These include the MPLAB PM3 and PRO MATE® II device programmers and PICSTART® Plus development programmer.



## CUSTOMER SUPPORT

Users of Microchip products can receive assistance through several channels:

- Distributor or Representative
- Local Sales Office
- Field Application Engineer (FAE)
- Corporate Applications Engineer (CAE)
- Hotline

Customers should call their distributor, representative or field application engineer (FAE) for support. Local sales offices are also available to help customers. See the back cover for a list of sales offices and locations.

Corporate Applications Engineers (CAEs) may be contacted at (480) 792-7627.

In addition, there is a Systems Information and Upgrade Line. This line provides system users a list of the latest versions of all of Microchip's development systems software products. Plus, this line provides information on how customers can receive any currently available upgrade kits.

The Hotline Numbers are:

1-800-755-2345 for U.S. and most of Canada.

1-480-792-7302 for the rest of the world.

# Signal Analysis PICtail™ Daughter Board User's Guide

---

---

NOTES:

---

---

**Chapter 1. Signal Analysis PICtail™ Daughter Board**

---

---

**1.1 INTRODUCTION**

This chapter introduces the Signal Analysis PICtail™ Daughter Board. It describes the PCB layout, parts and electrical connection to the PICKit 1 Flash Starter Kit.

**1.2 HIGHLIGHTS**

This chapter discusses:

- The Signal Analysis PICtail Daughter Board Contents
- The Signal Analysis PICtail Daughter Board Hardware
- The Acquisition Firmware

**1.3 SIGNAL ANALYSIS PICtail DAUGHTER BOARD KIT CONTENTS**

The Signal Analysis PICtail Daughter Board Kit contains the following items:

1. The Signal Analysis PICtail Daughter Board Printed Circuit Board (PCB)
2. PICKit 1 Flash Starter Kit CD-ROM Version 2.0 (or later) (DS40049)
3. Pre-programmed PIC16C745 PICmicro® device with USB Version 2.0.0 (or later)

**1.4 SIGNAL ANALYSIS PICtail DAUGHTER BOARD**

The Signal Analysis PICtail Daughter Board works as an extension to the PICKit 1 Flash Starter Kit. When combined with PICKit 1 V2.0.0 (or later) firmware and the PICKit 1 Signal Analysis PC Application, the Signal Analysis PICtail Daughter Board can perform signal analysis capabilities such as:

- Real-time Strip Chart
- Oscilloscope
- Fast Fourier Transformation (FFT)
- Histogram
- Programming

# Signal Analysis PICtail™ Daughter Board User's Guide

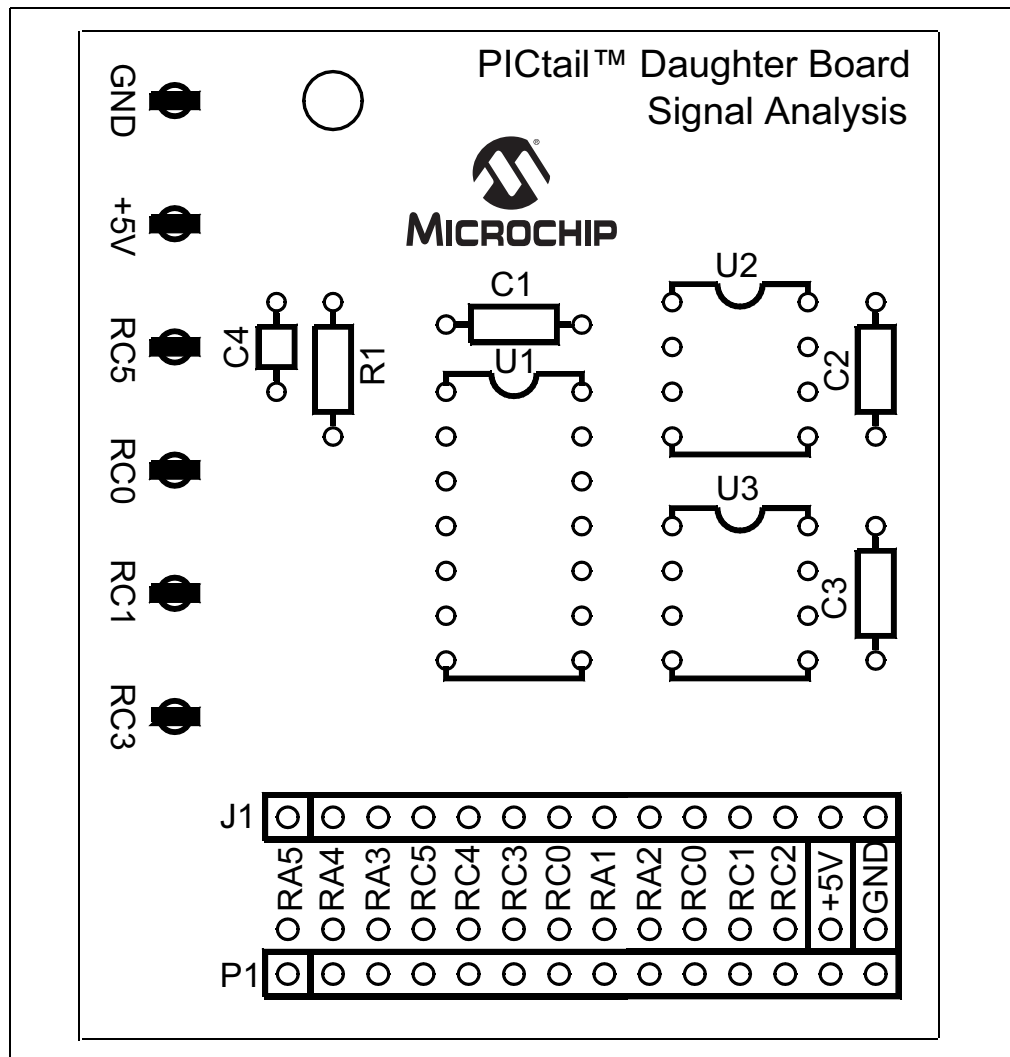
## 1.4.1 PCB Layout and Parts

Figure 1-1 shows the PCB layout of the Signal Analysis board. It is populated with a PIC16F684 and two 25LC640 serial EEPROM memory devices. The PIC16F684 I/O pins RC0, RC1 and RC3 are connected directly to test point connections on the edge of the PCB. These can be configured as comparator analog inputs (RC0/AN4, RC1/AN5), analog-to-digital converter inputs (RC0/AN4, RC1/AN5, RC3/AN7) or as digital input/output pins. I/O pin RC5 is connected through a RC filter (R1 and C4) to a test point connection. RC5 is the P1A output of the Enhanced Capture/Compare/Pulse Width Modulation (ECCP) module. It can be configured for digital PWM output. Additionally, +5V and ground test points are available as test point connections.

Two 25LC640 SPI™ compatible serial EEPROM memory devices provide 8-bit by 16K bytes of non-volatile memory. They are used in conjunction with the signal analysis firmware (PICA2Dlab.hex) program to store data at a specified sample rate. For non real-time acquisition modes (oscilloscope, FFT and histogram), the PC program downloads the data from the 25LC640's for computation and display.

Connector J1 allows additional circuit boards (for example temperature, light or pressure sensors) to be plugged into the Signal Analysis board for signal measurement and analysis. All port pins from the PIC16F684 are available on the J1 connector.

**FIGURE 1-1: SIGNAL ANALYSIS PICtail™ DAUGHTER BOARD**



# Signal Analysis PICtail™ Daughter Board

## 1.4.2 Electrical Connections

Figure 1-2 shows how the Signal Analysis PICtail Daughter Board plugs into the PICKit 1 Flash Starter Kit expansion header J3. The Signal Analysis Board electrically detaches the PICKit 1 onboard LED array. The target PICmicro device is plugged into the Signal Analysis Board DIP socket U1. Remove any PICmicro devices from the Evaluation Socket on the PICKit 1 Flash Starter Kit.

**Note:** When the Signal Analysis PICtail Daughter Board is plugged into the PICKit 1 Flash Starter Kit, remove any PICmicro devices from the Evaluation Socket on the PICKit 1. The target PICmicro device used for evaluation and development is plugged into the DIP socket U1 on the Signal Analysis Daughter Board.

**FIGURE 1-2: SIGNAL ANALYSIS PICtail™ DAUGHTER BOARD ORIENTATION**

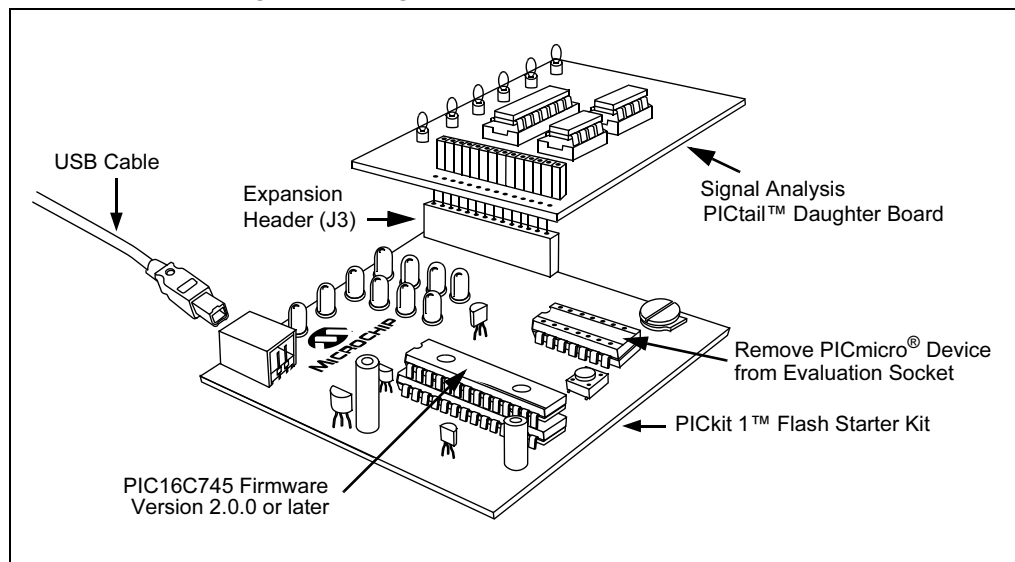
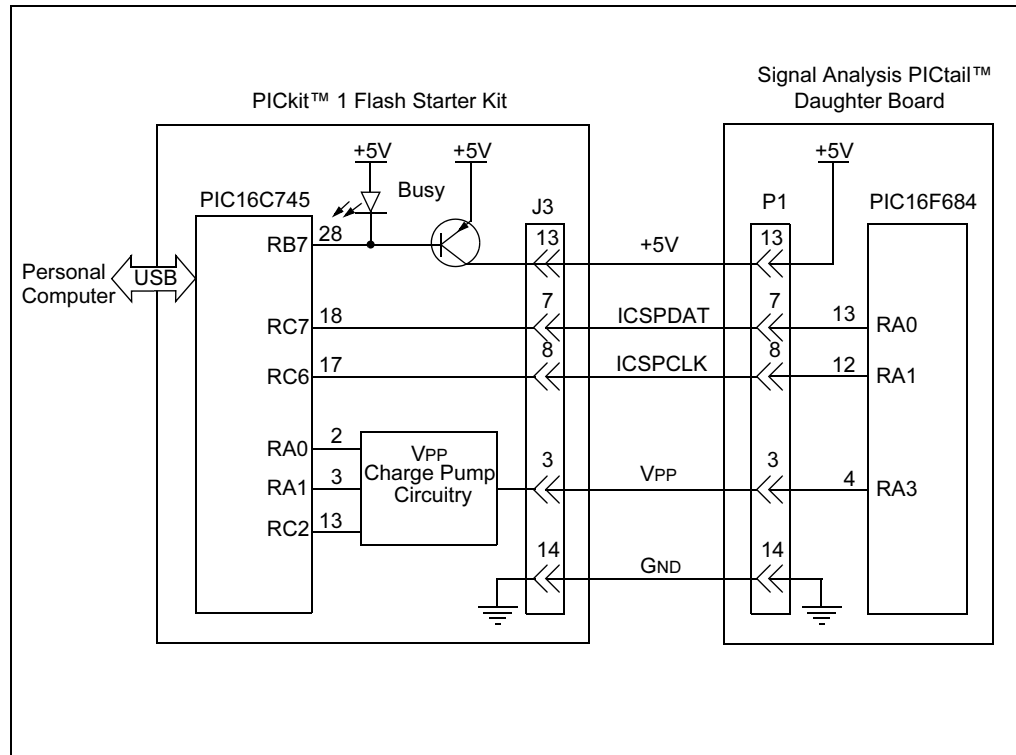


Figure 1-3 shows the electrical connections of the Signal Analysis PICtail Daughter Board with the PICKit 1 Flash Starter Kit. There are five connections: +5V, Ground, ICSPCLK, ICSPDAT and VPP (see Figure A-1 in **Appendix A. “Hardware Schematics”**). These signals allow the target PICmicro device, plugged into U1 DIP socket on the Signal Analysis PICtail Daughter Board, to be programmed and provide bidirectional synchronous serial communications with the PICKit 1 PIC16C745 microcontroller with USB device. With PICKit 1 V2.0.0 (or later) firmware, the user can communicate to and from the target PICmicro device via USB serial communications. This facilitates PC host programs to command, control and communicate with the target PICmicro device that is being evaluated or for program development.

FIGURE 1-3: SIGNAL ANALYSIS ELECTRICAL CONNECTION BLOCK DIAGRAM



## 1.5 PIC16F684 FIRMWARE

This section provides a high-level discussion of the PIC16F684 firmware 'PICA2Dlab'. The source code for PICA2Dlab is contained on the PICkit 1 Flash Starter Kit CD-ROM. When programmed into the PIC16F684 on the Signal Analysis PICtail Daughter Board, PICA2Dlab recognizes commands from the PICkit 1 Flash Starter Kit PIC16C745 PICmicro device with USB. The PIC16C745 requires firmware version 2.0.0 or later for the signal analysis functions to work. PICA2Dlab communicates synchronously in both directions with the PIC16C745 microcontroller. Finally, the PICkit 1 Signal Analysis PC host program can command the PIC16F684 on the Signal Analysis PICtail Daughter Board.

### 1.5.1 PICA2Dlab Commands

Once programmed into the PIC16F684 microcontroller, the PICA2Dlab.hex firmware receives commands from the PIC16C745. Presently it understands five commands:

1. **Version** – Returns a single byte representing a version number for the code. The host program on the PC may interrogate this to ensure the proper code is installed in the PIC16F684.
2. **Get Real-time Data** – Runs a conversion and returns the two byte result.
3. **Set Configuration** – Expects two bytes from the host. First byte represents the number of 256 byte blocks to acquire. Second byte represents the acquisition speed which is used as an index into a look-up table and sets up Timer0 for the acquisition period.
4. **Go** – Starts the acquisition process.
5. **Read** – Reads the data stored in the serial EEPROMs and sends it to the PC via the USB port.

## 1.5.2 Real-time Mode

Real-time mode refers to the Signal Analysis Application mode that commands the PIC16F684 to perform one analog-to-digital (A/D) conversion from RC0/AN4 I/O port pin. The 10-bit conversion data is immediately sent to the PIC16C745 for transfer to the PC USB port. The Signal Analysis Application then displays the data in a real-time strip chart format.

## 1.5.3 Acquisition Mode

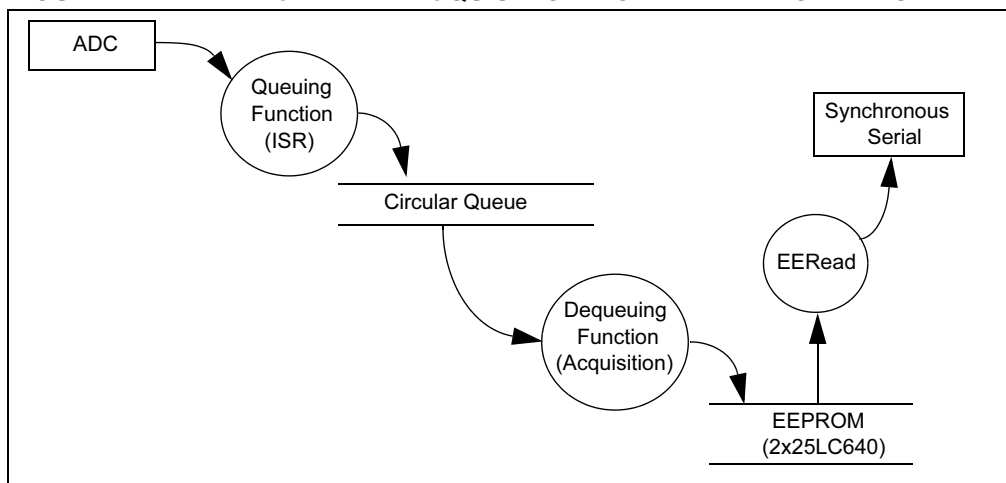
Acquisition mode refers to the Signal Analysis Application mode that commands the PIC16F684 to perform a specified number of A/D conversions at a specified speed (samples per second) and store the results in the serial EEPROMs.

The acquisition process is controlled by Timer0. The configuration command looks up precalculated Timer0 prescaler and Timer0 values. This ensures Timer0 will generate an interrupt on time as specified by the speed configuration parameter. When Timer0 overflows, the interrupt is triggered and initiates an analog-to-digital conversion and restarts Timer0.

Writing to a serial EEPROM consists of writing to a page of memory (32 bytes for the 25LC640) and initiating a Write cycle. A write cycle can take a maximum of 5 ms (3 ms typical) to complete. Thus, in order to store A/D conversions at high speeds, two serial EEPROMs are used. The data conversions are stored in the two serial EEPROMs by alternating (interleaving) between the two devices.

Figure 1-4 graphically illustrates the Acquisition mode data flow.

**FIGURE 1-4: PICA2DLAB ACQUISITION MODE DATA FLOW DIAGRAM**



**Note:** The Signal Analysis PICtail Daughter Board is designed as a development tool rather than laboratory quality equipment. To reduce product costs, a number of design choices have been made in favor of lower cost over increased accuracy. These choices may affect the accuracy and repeatability of measurements. These potential sources of error include:

- The Analog-to-Digital Converter is referenced to VDD, which is supplied by the USB cable. The PICKit 1 Signal Analysis PC Application assumes its 5.00V, however, the USB specifies only 4.75-5.25V.
- Timing of the samples (in Acquisition mode) is controlled by Timer0 and the internal oscillator on the PICmicro device. Check the *PIC16C745/765 8-Bit CMOS Microcontroller with the USB* data sheet (DS41124), for actual specifications on oscillator tolerances.

# Signal Analysis PICtail™ Daughter Board User's Guide

---

---

NOTES:



## Chapter 2. Using the PICkit™ 1 Signal Analysis PC Application

### 2.1 INTRODUCTION

This chapter explains the operation of the PICkit 1 Signal Analysis PC Application. The Signal Analysis PICtail Daughter Board works as an extension to the PICkit 1 Flash Starter Kit. When combined with PICkit 1 V2.0.0 (or later) firmware and the PICkit 1 Signal Analysis PC Application, the Signal Analysis PICtail Daughter Board can perform signal analysis capabilities such as:

- Real-time Strip Chart
- Oscilloscope
- Fast Fourier Transformation (FFT)
- Histogram
- Programming

### 2.2 HIGHLIGHTS

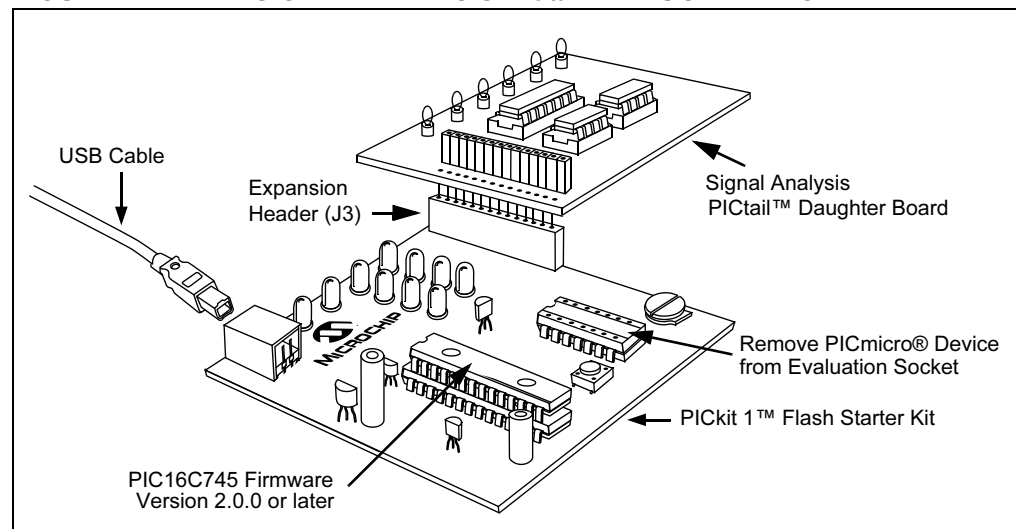
This chapter discusses:

- Programming PICA2Dlab into the PIC16F684
- Selecting the mode
- Oscilloscope Plot
- FFT (Fast Fourier Transform)
- Histogram

### 2.3 PROGRAMMING PICA2DLAB INTO THE PIC16F684

1. Attach the Signal Analysis PICtail Daughter Board to the PICkit 1 Flash Starter Kit as shown in Figure 2-1.

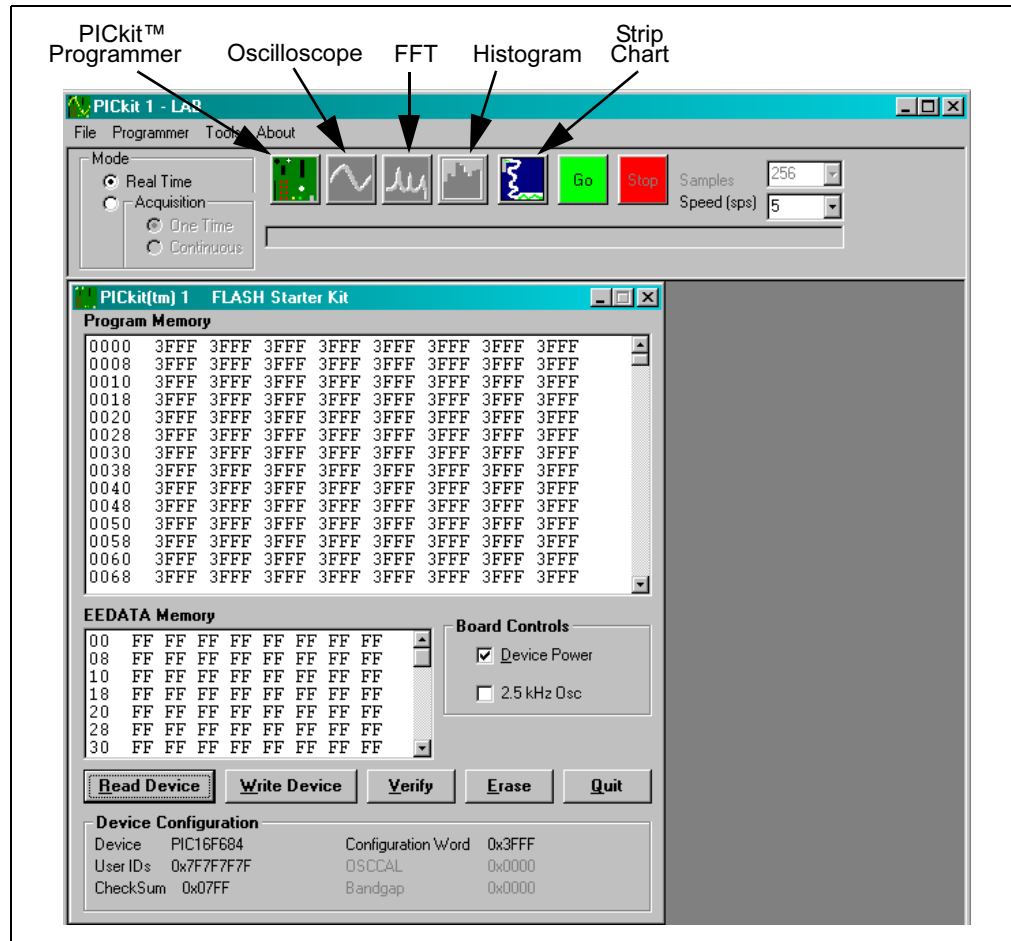
**FIGURE 2-1: SIGNAL ANALYSIS PICtail™ DAUGHTER BOARD**



# Signal Analysis PICtail™ Daughter Board User's Guide

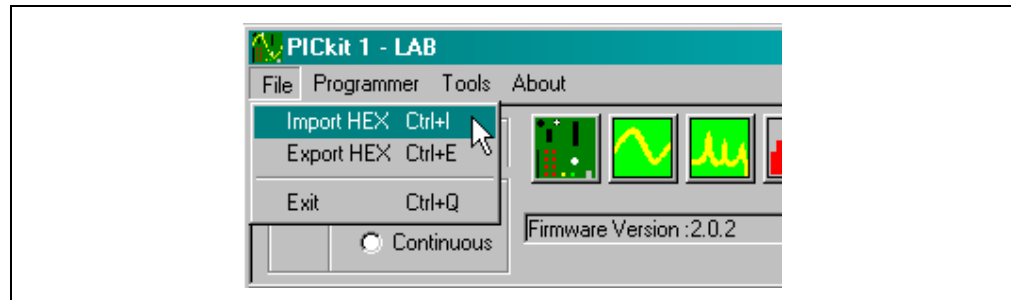
2. Connect the PICKit 1 Flash Starter Kit to a PC using a USB cable.
3. Execute the PICKit 1 Signal Analysis PC application.

**FIGURE 2-2: PICKit™ 1 SIGNAL ANALYSIS PC APPLICATION INTERFACE WINDOW**



4. Click the PICKit Programmer icon.
5. Open *File > Import HEX* from the menu tool bar and select the "PICA2Dlab.hex" file.

**FIGURE 2-3: IMPORT HEX FILE**

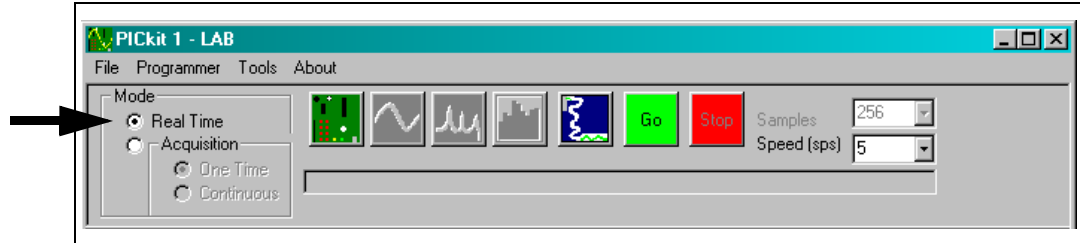


6. Program the PIC16F684 by selecting the **Write Device** button.
7. Apply the signal under test to pin RC0. The signal voltage level should be between 0V and +5V.

## 2.4 MODE SELECTION

The Mode selection determines how the Signal Analysis Application will perform analog-to-digital conversions (ADC) from the 10-bit ADC in the PIC16F684 and how they will be displayed. There are two mode selections; Real Time and Acquisition, as shown in Figure 2-4.

FIGURE 2-4: MODE SELECTION



In Real-time mode, data conversions are performed immediately and transmitted to the PC. The data is displayed on a real-time strip chart.

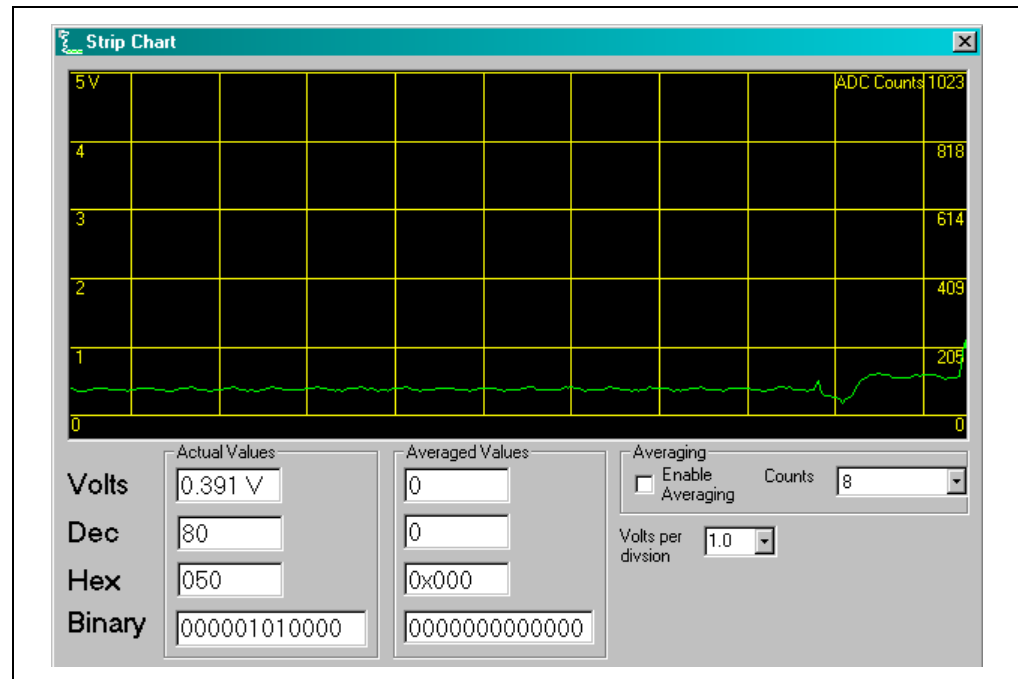
In Acquisition mode, the data is stored in the serial EEPROMs. After the acquisition sequence, the data is uploaded to the PC for post processing.

### 2.4.1 Real-time Mode

Real-time mode performs an ADC on the RC0/AN4 I/O port pin and immediately transmits the data for display on the PC. The display option for this mode is the Strip Chart function. The **Speed (sps)** drop-down menu controls the relative conversion speed.

To use the Strip Chart function, click on the **Strip Chart** button. The Strip Chart window is displayed, as shown in Figure 2-5. To start the conversion process, click **Go**. Use the **Speed (sps)** drop-down menu (Figure 2-9) to control the sample speed.

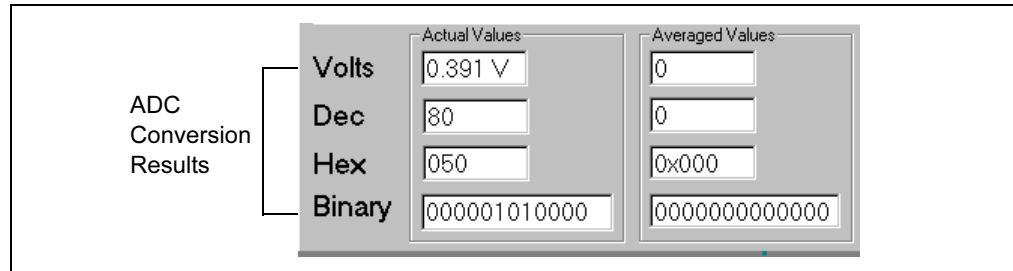
FIGURE 2-5: STRIP CHART



## 2.4.1.1 REAL-TIME NUMERIC VALUES

The Real-time numeric values are displayed at the bottom of the Strip Chart window. These values show the results of the conversion as it is transmitted from the ADC (Figure 2-6). The value is displayed in Volts, Decimal, Hex and Binary formats. The display updates each time a conversion is completed.

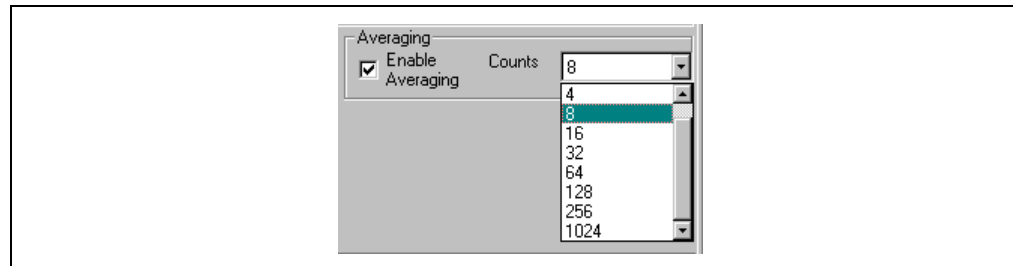
**FIGURE 2-6: REAL-TIME VALUES**



A second set of values provides the ability to observe the effects of averaging (Figure 2-7). When Averaging is selected, the Rolling Average mode is enabled. The display is updated after every conversion based on the average of the last  $n$  conversions where  $n$  = counts.

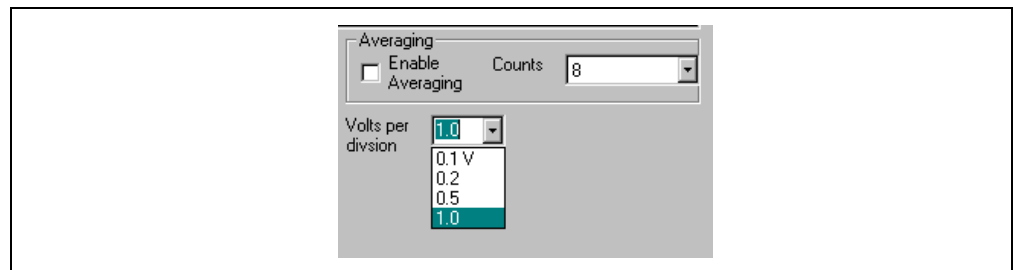
To enable averaging for each conversion, click the **Enable Averaging** check box. Use the **Counts** drop-down menu to control the counts.

**FIGURE 2-7: AVERAGING**



To change the volts per division in the Strip Chart window, use the **Volts per Division** drop-down menu and select the volts (Figure 2-8).

**FIGURE 2-8: VOLTS PER DIVISION**



## 2.4.2 Acquisition Mode

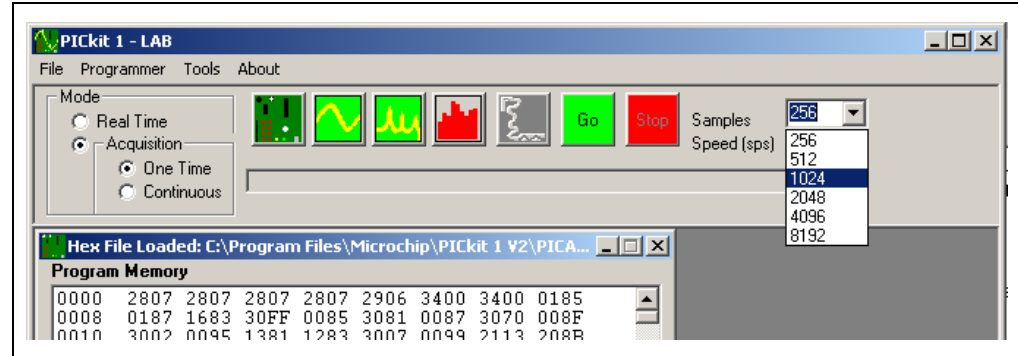
Acquisition mode performs an ADC on the RC0/AN4 I/O port pin and temporarily stores the data from each conversion in the serial EEPROMs on the Signal Analysis PICtail Daughter Board. When all conversions are complete, the data is uploaded to the PC for display and analysis. Display options for this mode are the Oscilloscope, Histogram and FFT.

## 2.4.3 Sample Size

FFT accuracy increases with sample size. However, large sample sizes take longer to upload to the PC.

To select different program memory space samples and sample speeds, use the **Samples** and **Speed (sps)** drop-down menus shown in Figure 2-9.

**FIGURE 2-9: SAMPLES AND SPEED SELECTION**

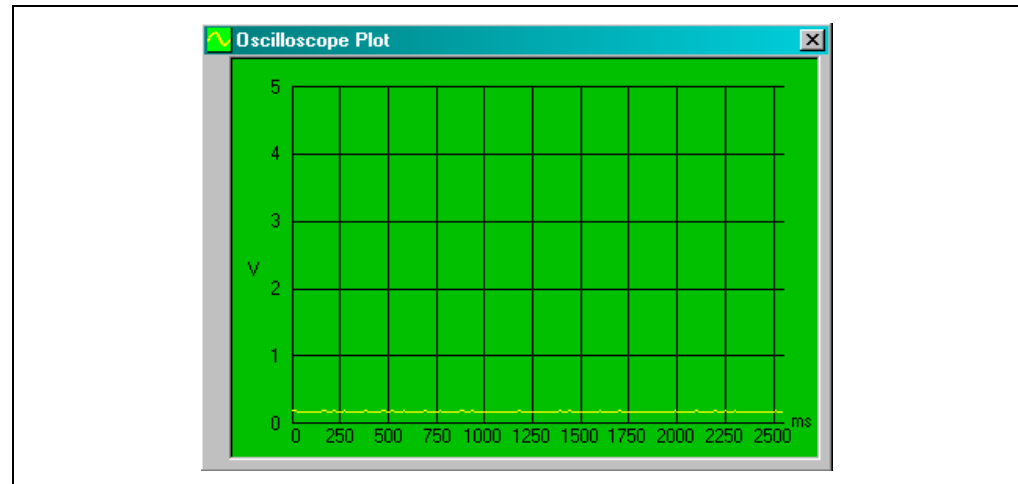


## 2.5 OSCILLOSCOPE PLOT

The Oscilloscope Plot shows the results of a conversion with respect to time. This plot shows time on the X-Axis and voltage on the Y-Axis.

Click the **Oscilloscope** button (Figure 2-2) then Click **Go** to acquire and display the results according to the sample size and speed selected in the drop down boxes.

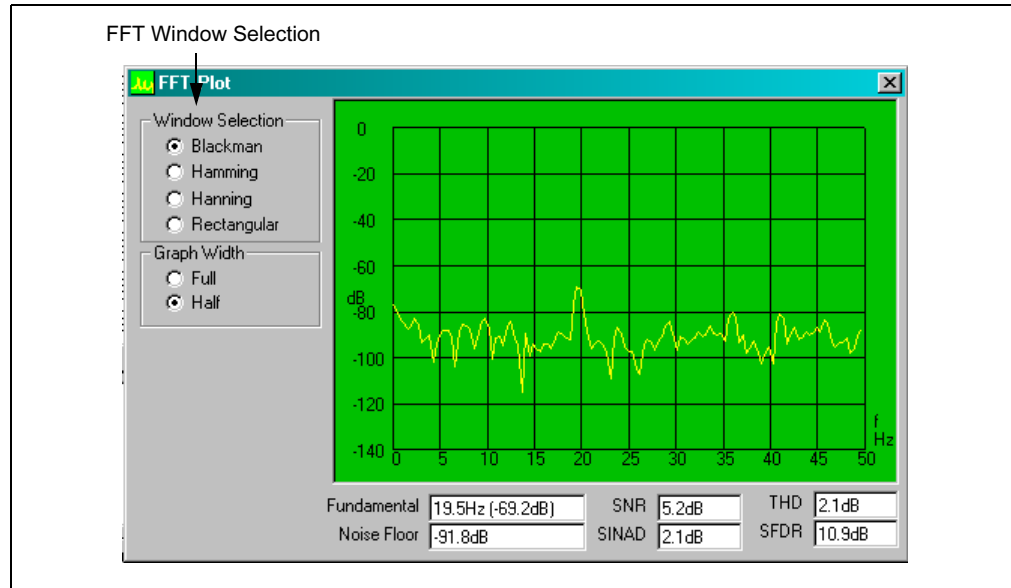
**FIGURE 2-10: OSCILLOSCOPE PLOT DISPLAY WINDOW**



## 2.6 FFT (FAST FOURIER TRANSFORM)

The FFT displays the Fast Fourier Transformation of the data in the frequency domain. This display is typically used to analyze AC signals or to help locate the source of AC noise.

FIGURE 2-11: FFT DISPLAY



The size of the data set of the FFT analysis determines the resolution and accuracy of the FFT. The accuracy is equal to:

$$\text{FFT Accuracy} = (4/(n\sqrt{N})\text{dB})$$

Where:

- $n$  = number of converted bits
- $N$  = number of data points

In instances where the input signal is not periodic with respect to the sampling frequency of the converter (as is the case with this tool), windowing algorithms are advantageous when looking at FFT results. The windows that are available with the Signal Analysis Application are the Blackman, Hamming, Hanning and Rectangular. Basically, an FFT window is multiplied times the measured signal data set taken during the specified length of time of the conversion. Typically this multiple reduces the magnitude of the beginning and end of the sample and consequently minimizing discontinuities seen with the FFT calculation.

**Blackman** – Window has a bell-shaped characteristic similar to the Blackman-Harris window. The peak resolution of this window is not as fine as the Hanning, but the responses flares out less and the rejection of the sidelobes is better.

**Hamming** – Window has a bell-shaped characteristic. The initial samples from the conversion data are multiplied by a small number as are the last samples. With this window, the side lobes adjacent to the main lobes are lower than the results from the Hanning Window.

**Hanning** – Window has a bell-shaped characteristic. The initial samples are multiplied by zero as well as the latest samples. The samples between the beginning and end are multiplied with the Hanning bell-shape curve. The side lobes of this window are farther from main lobe as compared to the Hanning Windows. This window is typically used for harmonic analysis of continuous time signals as well as random noise.

**Rectangular** – Window is a rectangular shaped window. Every point of the time scale is multiplied by a constant. This window provides the best frequency resolution with the narrowest lobe width. Amplitude accuracy errors occur if frequency of observed signal has a non-integer number of cycles in the FFT time record. Most typically, this window is best used when viewing transients, impulses, pseudo-random noise and when the input signal is correlated with the sampling frequency.

When the FFT windows are implemented there is a certain amount of energy that is spread across adjacent frequency bins. This spreading is a result of converting non-coherent signals and the particular window. Consequently, there is not a direct correlation between the amplitude of the analog input signal to the A/D converter and the height of the spur in the FFT analysis.

## 2.6.1 Glossary of Terms

**Fundamental Frequency** – The lowest frequency component in the Fourier representation of a periodic quantity.

**Noise Floor** – The noise level at a referenced location and bandwidth.

**SNR (Signal-to-Noise Ratio)** – The ratio of relative power of the usable signal to the noise present, expressed in decibels.

**SINAD (Signal to (Noise + Distortion) Ratio)** –  $S/(N+D)$  is the ratio of the rms value of the actual input signal to the rms sum of all other spectral components or harmonics below the Nyquist frequency, excluding DC. This software includes nine harmonics in the calculation. Decibels is the unit of measure for  $S/(N+D)$ .

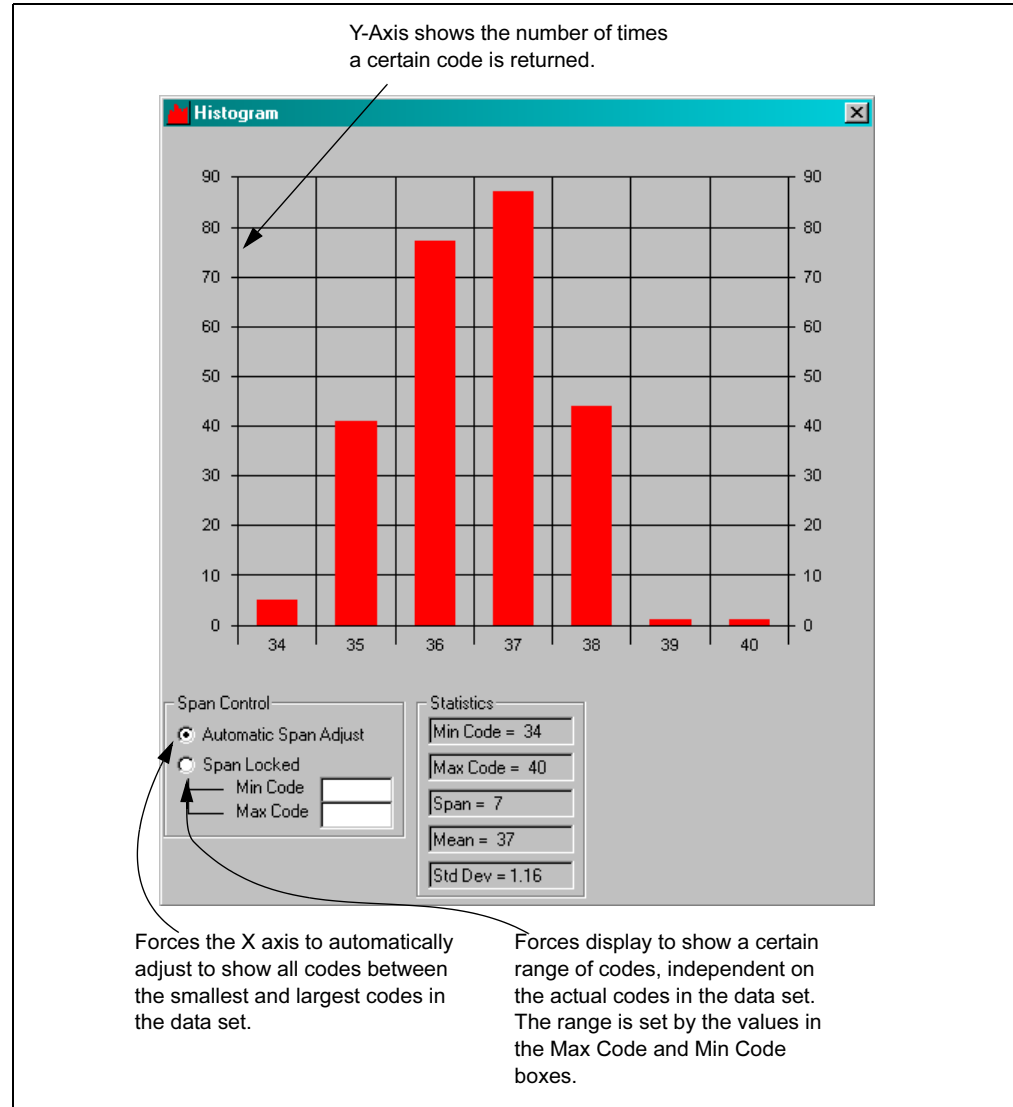
**THD (Total Harmonic Distortion)** – The ratio in dB of the energy of a fundamental test frequency to the energy of its harmonics appearing in the band of interest.

**SFDR (Spurious Free Dynamic Range)** – The difference in decibels between the input signal and the next largest harmonic.

## 2.7 HISTOGRAM

The Histogram allows the user to observe the data taken from a conversion and determine the relative variation of the digital codes. The histogram plot shows the digital codes on the X-Axis and the number of occurrences for each code on the Y-Axis. The static values of the data set are shown at the bottom of the window. The Span Control locks in the number of codes shown on the X-Axis or allows the program to automatically scale the axis for every conversion.

**FIGURE 2-12: HISTOGRAM WINDOW**





---

---

## Chapter 3. Lesson Projects

---

---

### 3.1 INTRODUCTION

The Signal Analysis PICtail Daughter Board can capture a variety of DC and AC signals from the RC0/AN4 I/O port pin of the PIC16F684 using the internal 10-bit ADC. Ensure that the applied signal does not exceed 5V peak-to-peak. If the signal is DC, ensure that the voltage levels do not fall below 0V or exceed +5V. If the signal is AC, DC decouple the signal using a decoupling capacitor and ensure that the signal level does not exceed the DC limits stated above. Lesson 1 demonstrates how a DC signal can be displayed from a thermistor. Lesson 2 demonstrates how an AC signal can be displayed from a photodiode.

In addition to capturing analog signals, the Signal Analysis PICtail Daughter Board can generate low frequency sine waves from Pulse Width Modulated (PWM) signal from the ECCP module. I/O port pin RC5 is connected to a low-pass RC filter (R1 and C4) and made available as a test point on the edge of the PCB. Lesson 3 demonstrates how a 125 Hz sine wave can be generated.

### 3.2 HIGHLIGHTS

The following lessons are discussed in this chapter:

- Lesson 1 – Thermistor
- Lesson 2 – Photodiode
- Lesson 3 – Pulse Width Modulated Generated Sine Wave

### 3.3 LESSON 1 – THERMISTOR

A thermistor is a resistor that changes resistance in response to temperature changes. Some have a positive temperature coefficient where the resistance increases with temperature and others have a negative coefficient. For temperature measurement purposes, the Negative Temperature Coefficient (NTC) versions are more linear.

The simplest configuration is shown in Figure 3-1. It is a resistor divider network where the thermistor and a second resistor are connected in series between ground and a voltage reference. The voltage between the resistors varies with the temperature and can be measured via an A2D Converter. Also, this configuration has the added benefit that voltage increases with temperature.

The voltage at the center is given by  $ADC\ counts = 1024 * R / (R + R_t)$ . In this example, the thermistor specified for 10 k $\Omega$  at 25C. The bottom resistor is chosen to be 3.3 k $\Omega$ . That means 254 ADC counts correlates to 25C. Since the ADC is referenced to 5V (nominal)  $254\ counts * 5 / 1024 = 1.241V$ .

Start the PICkit 1 Signal Analysis PC Application. Select the **Real Time** button, click on the **Strip Chart** icon, and then click **Go**. By changing the temperature of the thermistor, the response can be observed in real-time on the strip chart display. An example screen capture is shown in Figure 3-2.

For more information about thermistors, see Microchip Application Notes AN685, AN689, AN867 and AN897, available on the PICkit 1 CD-ROM and on the Microchip web site: [www.microchip.com](http://www.microchip.com).

FIGURE 3-1: THERMISTOR SCHEMATIC

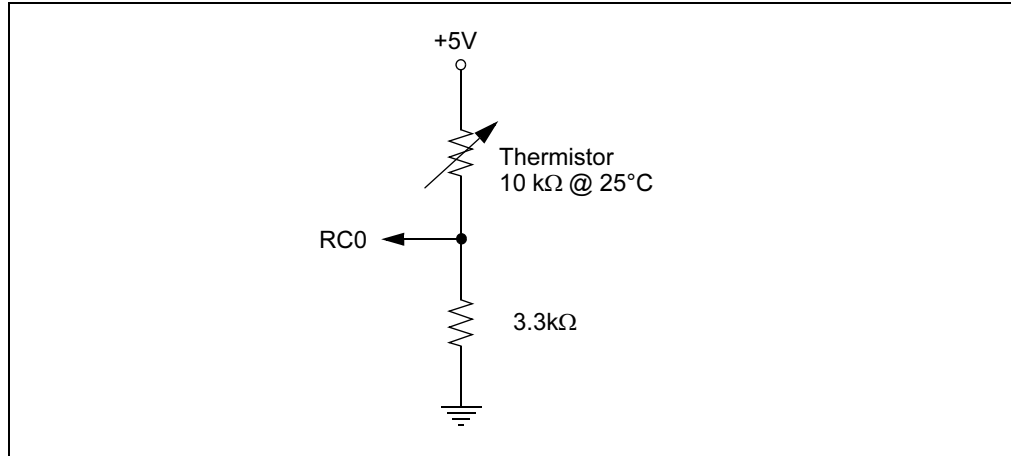
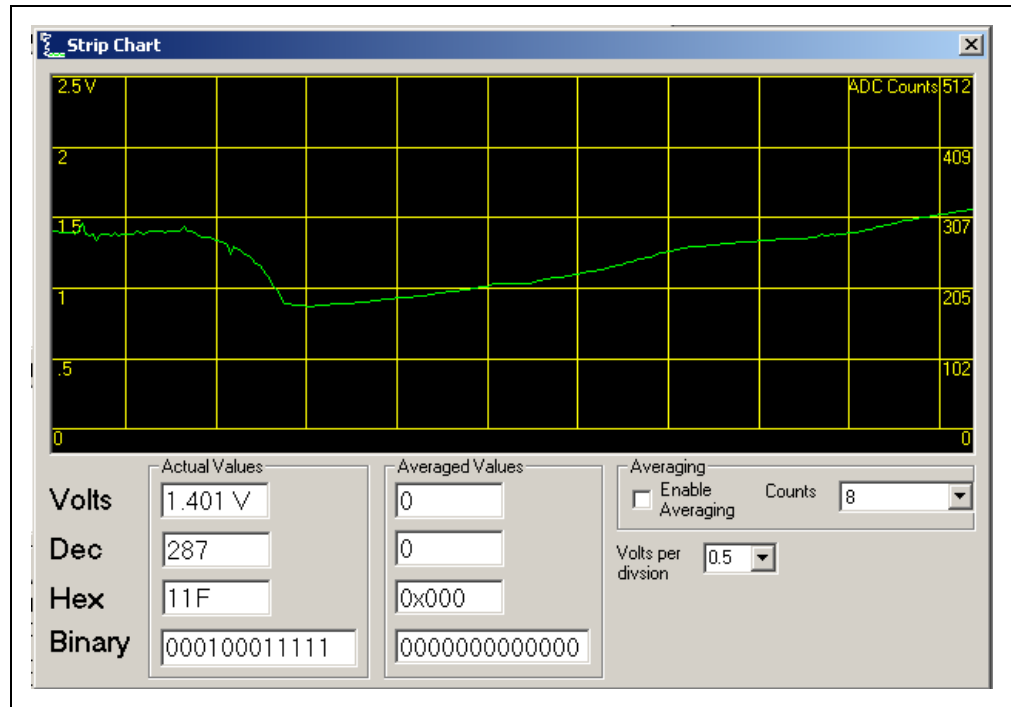


FIGURE 3-2: THERMISTOR STRIP CHART DISPLAY



## 3.4 LESSON 2 – PHOTODIODE

A simple photodiode circuit can be constructed from the schematic shown in Figure 3-3. D<sub>1</sub> is a Panasonic PNZ334 PIN photodiode. U<sub>1</sub> is Microchip Technology MCP6001U op amp. R<sub>1</sub> was chosen to be 64.9 kΩ so that V<sub>OUT</sub> ≈ 4.5V at the maximum I<sub>s</sub>, and V<sub>OUT</sub> ≈ 0V at the minimum I<sub>s</sub>. C<sub>3</sub> is a 0.1 μF capacitor for good supply bypass performance. R<sub>2</sub> and C<sub>2</sub> form a low-pass filter for noise performance. Since the maximum sample rate of the Signal Analysis PICtail Daughter Board is 5000 samples per second (sps), the low-pass pole is set near 500 Hz.

$$R_2 = 10.0 \text{ k}\Omega$$

$$C_2 \approx 1/(2\pi(500 \text{ Hz})(10.0 \text{ k}\Omega)) = 32 \text{ nF}$$

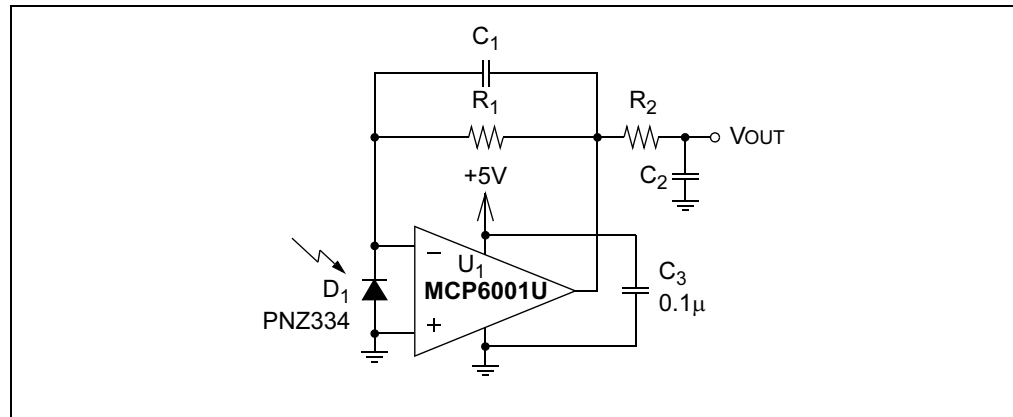
The nearest standard value of 33 nF, giving

$$f_{RnCb} = 1/(2\pi(10.0 \text{ k}\Omega)(33 \text{ nF})) = 482 \text{ kHz}$$

Table 3-1 summarizes the final design values of the components in Figure 3-3.

Figure 3-4 through Figure 3-6 show screen captures from data acquisitions from the photodiode placed 30 cm under a fluorescent desk lamp. The sample size was 1024 and the sample speed was set at 1000.

**FIGURE 3-3: PHOTODIODE PICtail™ SCHEMATIC DIAGRAM**



**TABLE 3-1: PHOTODIODE PICtail™ COMPONENTS**

Component	Value/Part No.	Size/Package
C <sub>1</sub>	18 pF	SMD 0805
C <sub>2</sub>	33 nF	SMD 0805
C <sub>3</sub>	0.1 μF	SMD 0805
D <sub>1</sub>	PNZ334 Panasonic	Plastic Through-hole, 100 mil pitch
R <sub>1</sub>	64.9 kΩ, 1%	SMD 0805
R <sub>2</sub>	10.0 kΩ	SMD 0805
U <sub>1</sub>	MCP6001U	SOT-23-5

FIGURE 3-4: PHOTODIODE OSCILLOSCOPE SCREEN CAPTURE

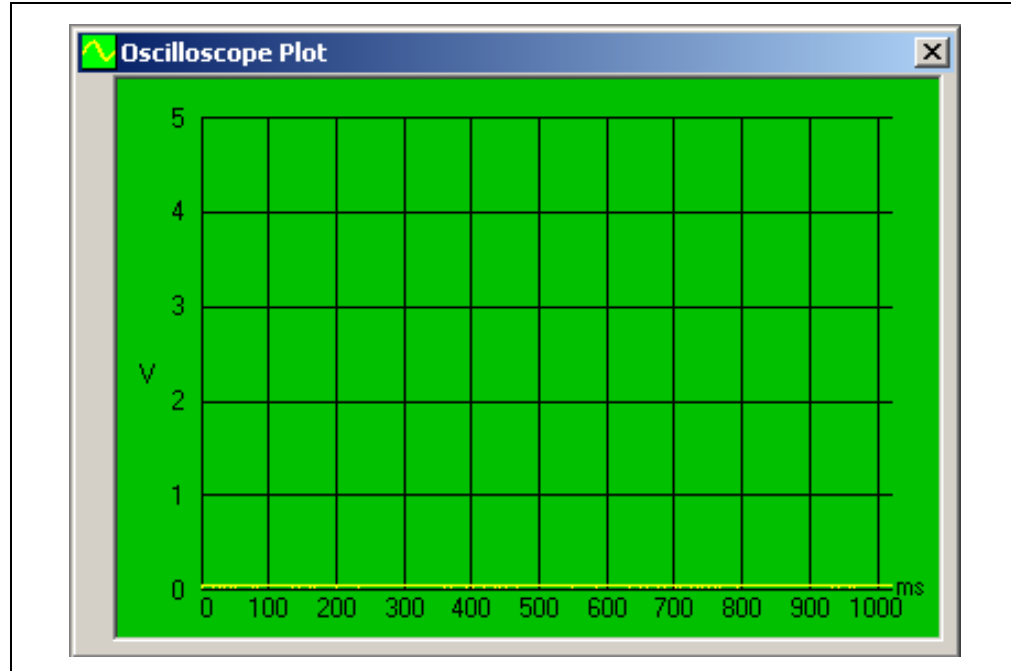


FIGURE 3-5: PHOTODIODE FFT SCREEN CAPTURE

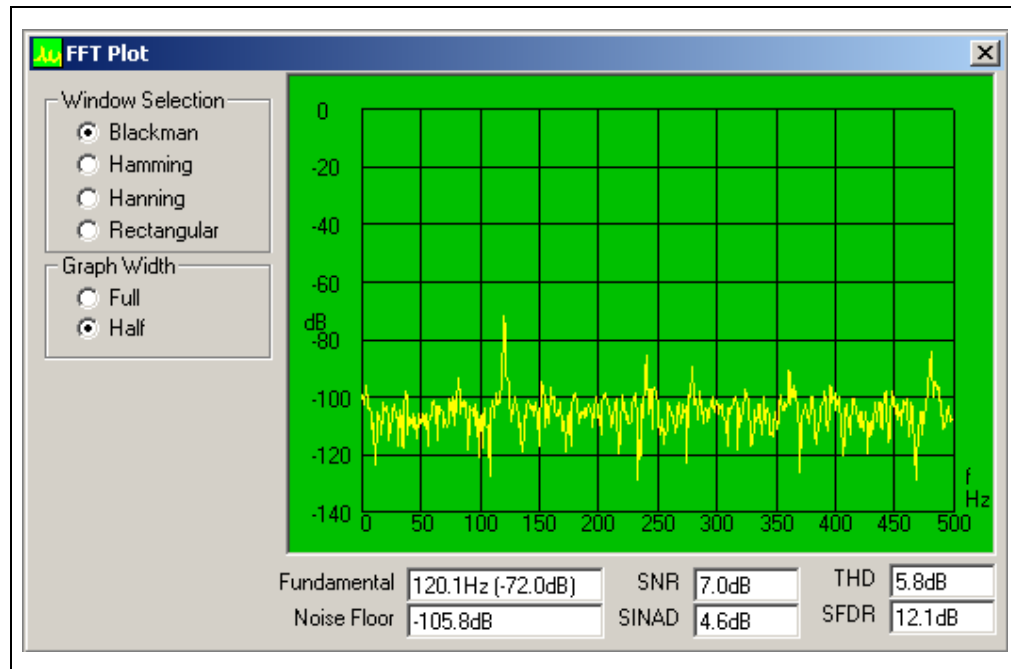
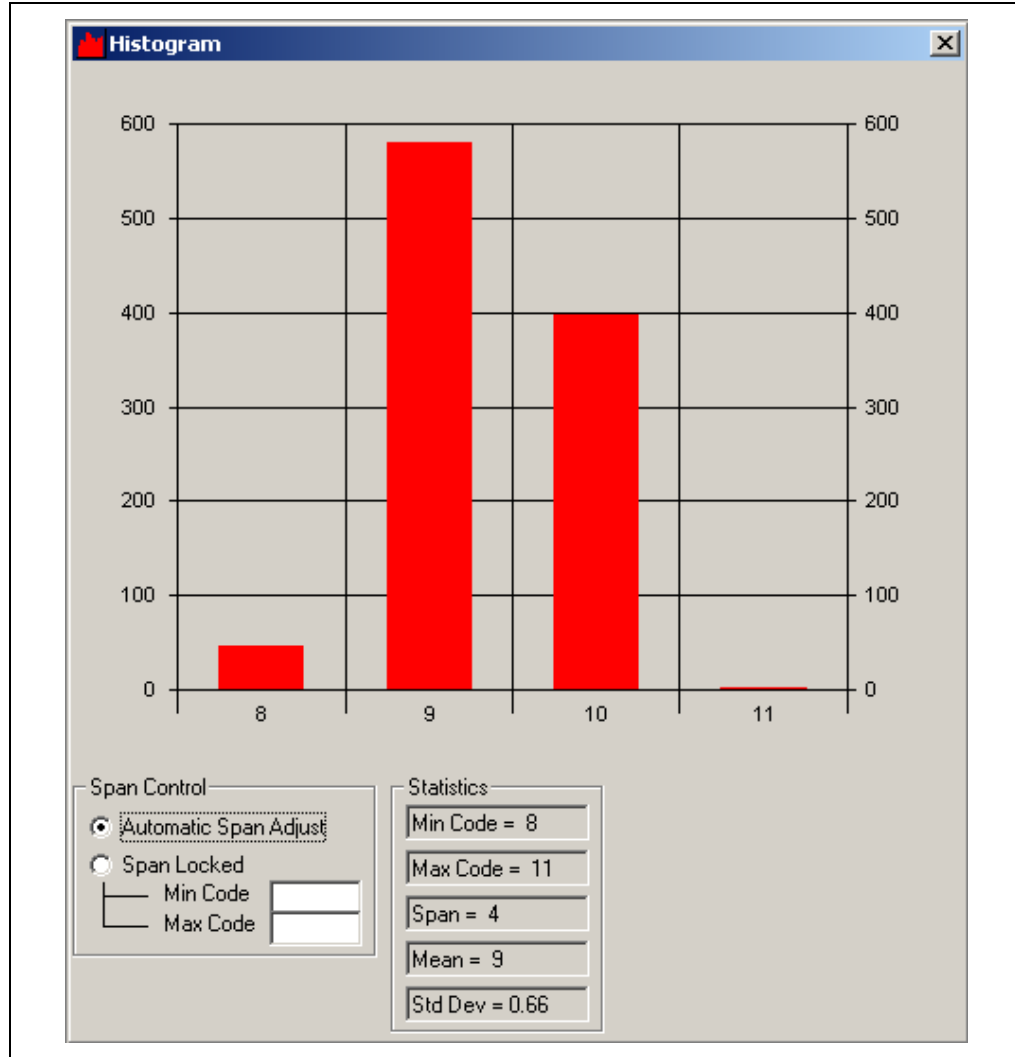


FIGURE 3-6: PHOTODIODE HISTOGRAM SCREEN CAPTURE

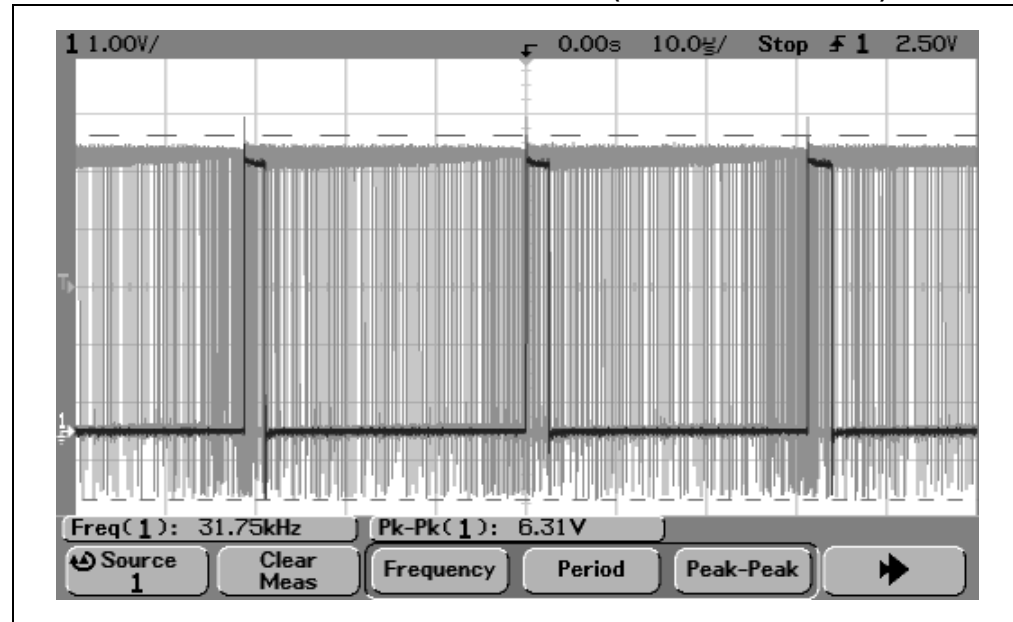


## 3.5 LESSON 3 – PULSE WIDTH MODULATED GENERATED SINE WAVE

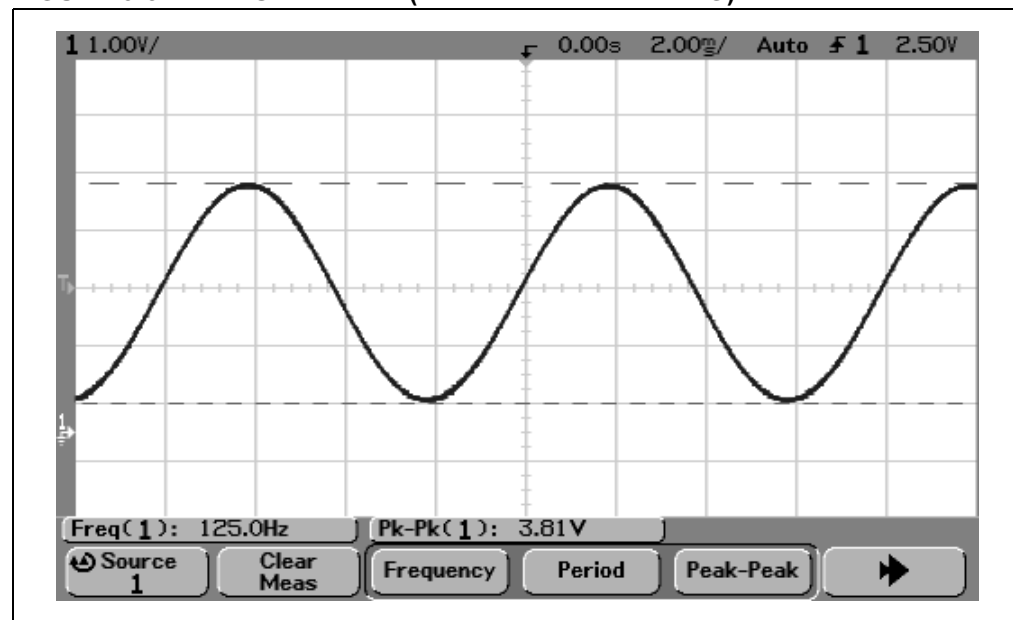
A sine wave can be generated from a low-pass filtered Pulse Width Modulated (PWM) signal. The duty cycle of the PWM signal is set to the magnitude of a sine wave at a prescribed sample rate. The sample rate sets the frequency of the sine wave. Figure 3-7 is an oscilloscope screen capture of the PWM signal. Persistence has been set on to capture the varying duty cycle. Figure 3-8 is the resulting sine wave after the PWM signal in Figure 3-7 has been low-pass filtered.

Source code and hex files are available on the CD-ROM.

**FIGURE 3-7: MODULATED PWM SIGNAL (BEFORE FILTERING)**



**FIGURE 3-8: SINE WAVE (AFTER PWM FILTERING)**



## Chapter 4. Troubleshooting

### 4.1 INTRODUCTION

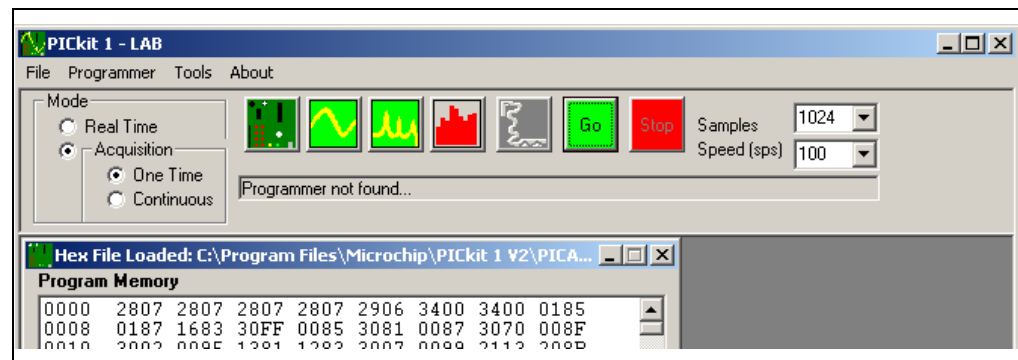
This chapter describes common problems associated with using the Signal Analysis PICtail Daughter Board and steps on how to resolve them.

### 4.2 COMMON PROBLEMS

#### 4.2.1 Programmer Not Found

The PICKit 1 Signal Analysis PC Application was not able to communicate with the PICKit 1 Flash Starter Kit. Check that the USB cable is connected to the PICKit 1 Flash Starter Kit and the PC.

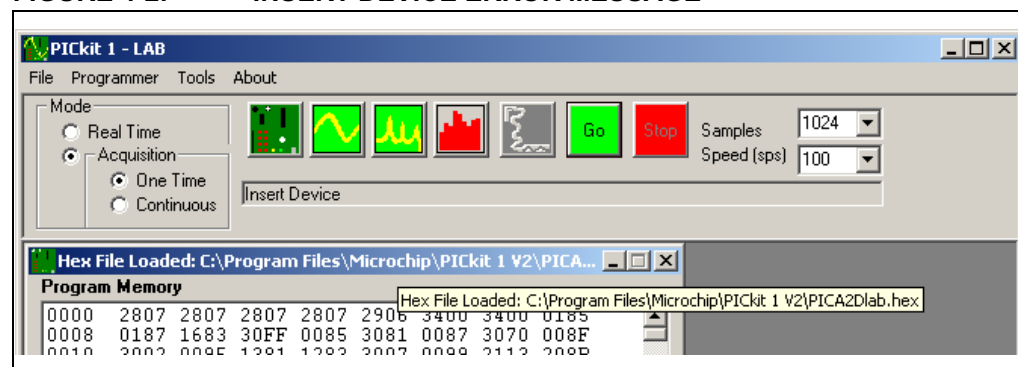
**FIGURE 4-1: PROGRAMMER NOT FOUND ERROR MESSAGE**



#### 4.2.2 Insert Device

The PICKit 1 Signal Analysis PC Application was not able to communicate with the target PICmicro device. Check that the Signal Analysis PICtail Daughter Board is plugged into J3 of the PICKit 1 Flash Starter Kit. Check that a PICmicro device is plugged into socket U1 of the Signal Analysis PICtail Daughter Board. Check and make sure that the evaluation socket on the PICKit 1 board is empty.

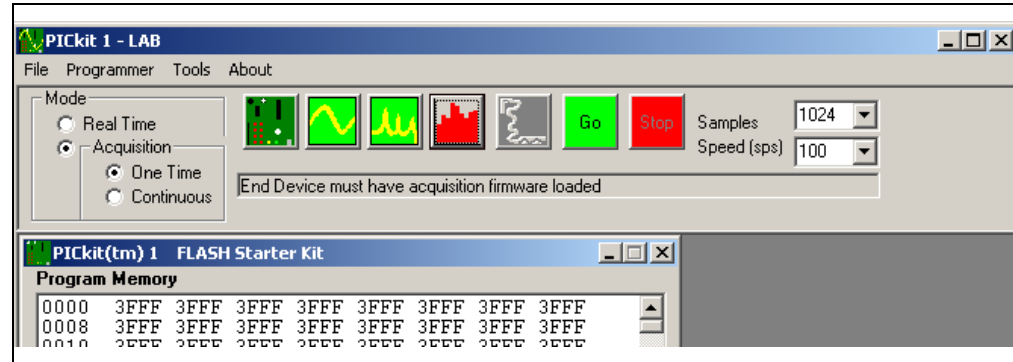
**FIGURE 4-2: INSERT DEVICE ERROR MESSAGE**



## 4.2.3 End Device Must Have Acquisition Firmware Loaded

The PICkit 1 Signal Analysis PC Application was not able to communicate with the firmware in the target PICmicro device on the Signal Analysis PICtail Daughter Board. Ensure that PICA2Dlab.hex has been programmed into the Signal Analysis PICtail Daughter Board.

**FIGURE 4-3: END DEVICE ACQUISITION FIRMWARE LOADED ERROR MESSAGE**







## SIGNAL ANALYSIS PICtail™ DAUGHTER BOARD USER'S GUIDE

---

---

### Appendix A. Hardware Schematics

---

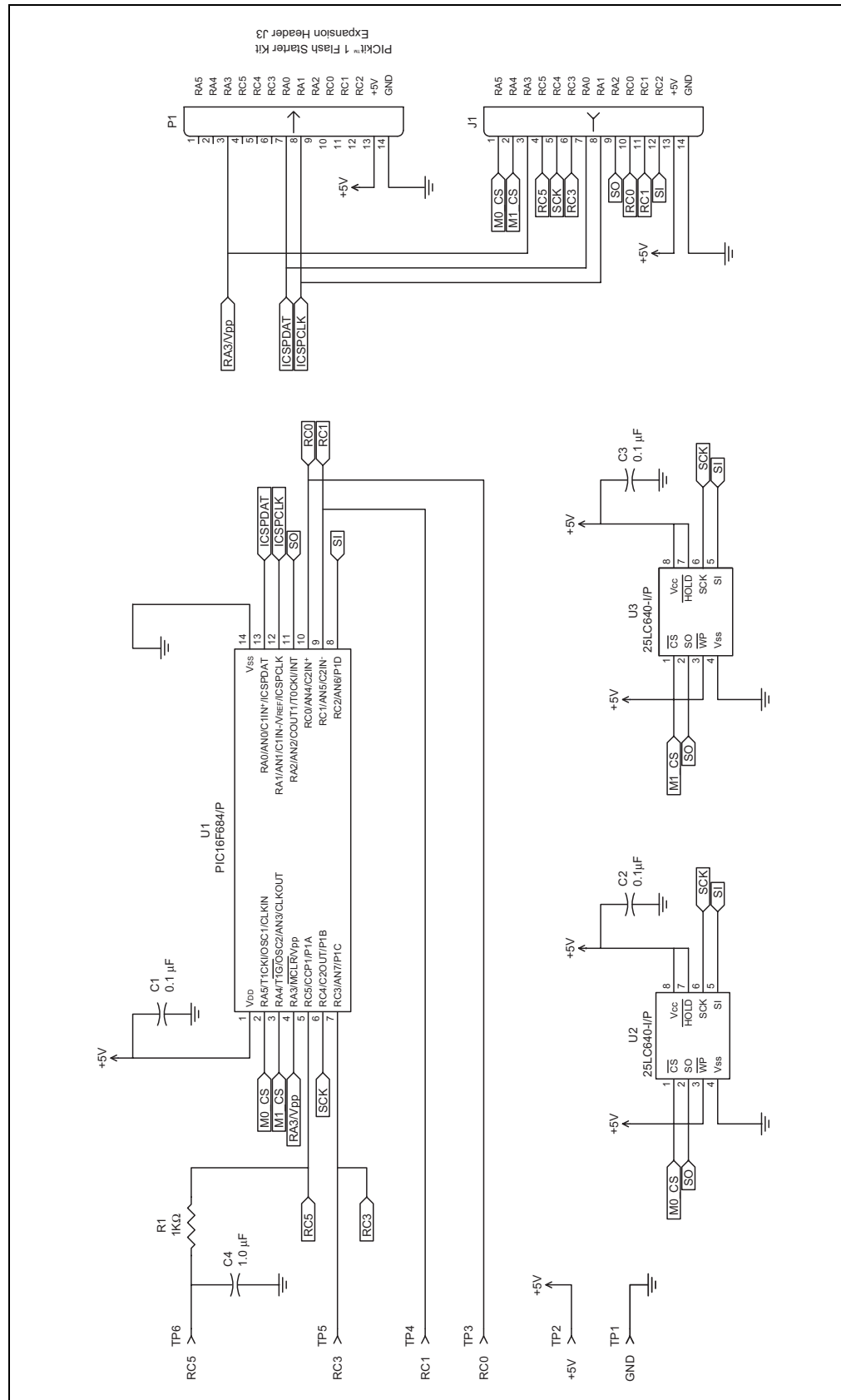
---

#### A.1 INTRODUCTION

This appendix contains the Signal Analysis PICtail Daughter Board Hardware Schematic Diagram.

# Signal Analysis PICtail™ Daughter Board User's Guide

**FIGURE A-1: SIGNAL ANALYSIS PICtail™ DAUGHTER BOARD HARDWARE SCHEMATIC DIAGRAM**



NOTES:



## WORLDWIDE SALES AND SERVICE

### AMERICAS

#### Corporate Office

2355 West Chandler Blvd.  
Chandler, AZ 85224-6199  
Tel: 480-792-7200  
Fax: 480-792-7277  
Technical Support: 480-792-7627  
Web Address: www.microchip.com

#### Atlanta

3780 Mansell Road, Suite 130  
Alpharetta, GA 30022  
Tel: 770-640-0034  
Fax: 770-640-0307

#### Boston

2 Lan Drive, Suite 120  
Westford, MA 01886  
Tel: 978-692-3848  
Fax: 978-692-3821

#### Chicago

333 Pierce Road, Suite 180  
Itasca, IL 60143  
Tel: 630-285-0071  
Fax: 630-285-0075

#### Dallas

4570 Westgrove Drive, Suite 160  
Addison, TX 75001  
Tel: 972-818-7423  
Fax: 972-818-2924

#### Detroit

Tri-Atria Office Building  
32255 Northwestern Highway, Suite 190  
Farmington Hills, MI 48334  
Tel: 248-538-2250  
Fax: 248-538-2260

#### Kokomo

2767 S. Albright Road  
Kokomo, IN 46902  
Tel: 765-864-8360  
Fax: 765-864-8387

#### Los Angeles

18201 Von Karman, Suite 1090  
Irvine, CA 92612  
Tel: 949-263-1888  
Fax: 949-263-1338

#### San Jose

1300 Terra Bella Avenue  
Mountain View, CA 94043  
Tel: 650-215-1444  
Fax: 650-961-0286

#### Toronto

6285 Northam Drive, Suite 108  
Mississauga, Ontario L4V 1X5, Canada  
Tel: 905-673-0699  
Fax: 905-673-6509

### ASIA/PACIFIC

#### Australia

Suite 22, 41 Rawson Street  
Epping 2121, NSW  
Australia  
Tel: 61-2-9868-6733  
Fax: 61-2-9868-6755

#### China - Beijing

Unit 706B  
Wan Tai Bei Hai Bldg.  
No. 6 Chaoyangmen Bei Str.  
Beijing, 100027, China  
Tel: 86-10-85282100  
Fax: 86-10-85282104

#### China - Chengdu

Rm. 2401-2402, 24th Floor,  
Ming Xing Financial Tower  
No. 88 TIDU Street  
Chengdu 610016, China  
Tel: 86-28-86766200  
Fax: 86-28-86766599

#### China - Fuzhou

Unit 28F, World Trade Plaza  
No. 71 Wusi Road  
Fuzhou 350001, China  
Tel: 86-591-7503506  
Fax: 86-591-7503521

#### China - Hong Kong SAR

Unit 901-6, Tower 2, Metroplaza  
223 Hing Fong Road  
Kwai Fong, N.T., Hong Kong  
Tel: 852-2401-1200  
Fax: 852-2401-3431

#### China - Shanghai

Room 701, Bldg. B  
Far East International Plaza  
No. 317 Xian Xia Road  
Shanghai, 200051  
Tel: 86-21-6275-5700  
Fax: 86-21-6275-5060

#### China - Shenzhen

Rm. 1812, 18/F, Building A, United Plaza  
No. 5022 Binhe Road, Futian District  
Shenzhen 518033, China  
Tel: 86-755-82901380  
Fax: 86-755-8295-1393

#### China - Shunde

Room 401, Hongjian Building, No. 2  
Fengxiangnan Road, Ronggui Town, Shunde  
District, Foshan City, Guangdong 528303, China  
Tel: 86-757-28395507 Fax: 86-757-28395571

#### China - Qingdao

Rm. B505A, Fullhope Plaza,  
No. 12 Hong Kong Central Rd.  
Qingdao 266071, China  
Tel: 86-532-5027355 Fax: 86-532-5027205

#### India

Divyasree Chambers  
1 Floor, Wing A (A3/A4)  
No. 11, O'Shaughnessey Road  
Bangalore, 560 025, India  
Tel: 91-80-22290061 Fax: 91-80-22290062

#### Japan

Benex S-1 6F  
3-18-20, Shinyokohama  
Kohoku-Ku, Yokohama-shi  
Kanagawa, 222-0033, Japan  
Tel: 81-45-471-6166 Fax: 81-45-471-6122

#### Korea

168-1, Youngbo Bldg. 3 Floor  
Samsung-Dong, Kangnam-Ku  
Seoul, Korea 135-882  
Tel: 82-2-554-7200 Fax: 82-2-558-5932 or  
82-2-558-5934

#### Singapore

200 Middle Road  
#07-02 Prime Centre  
Singapore, 188980  
Tel: 65-6334-8870 Fax: 65-6334-8850

#### Taiwan

Kaohsiung Branch  
30F - 1 No. 8  
Min Chuan 2nd Road  
Kaohsiung 806, Taiwan  
Tel: 886-7-536-4818  
Fax: 886-7-536-4803

#### Taiwan

Taiwan Branch  
11F-3, No. 207  
Tung Hua North Road  
Taipei, 105, Taiwan  
Tel: 886-2-2717-7175 Fax: 886-2-2545-0139

### EUROPE

#### Austria

Durisolstrasse 2  
A-4600 Wels  
Austria  
Tel: 43-7242-2244-399  
Fax: 43-7242-2244-393

#### Denmark

Regus Business Centre  
Lautrup hoy 1-3  
Ballerup DK-2750 Denmark  
Tel: 45-4420-9895 Fax: 45-4420-9910

#### France

Parc d'Activite du Moulin de Massy  
43 Rue du Saule Trapu  
Batiment A - 1er Etage  
91300 Massy, France  
Tel: 33-1-69-53-63-20  
Fax: 33-1-69-30-90-79

#### Germany

Steinheilstrasse 10  
D-85737 Ismaning, Germany  
Tel: 49-89-627-144-0  
Fax: 49-89-627-144-44

#### Italy

Via Quasimodo, 12  
20025 Legnano (MI)  
Milan, Italy  
Tel: 39-0331-742611  
Fax: 39-0331-466781

#### Netherlands

Waegenburghtplein 4  
NL-5152 JR, Drunen, Netherlands  
Tel: 31-416-690399  
Fax: 31-416-690340

#### United Kingdom

505 Eskdale Road  
Widdersham Triangle  
Wokingham  
Berkshire, England RG41 5TU  
Tel: 44-118-921-5869  
Fax: 44-118-921-5820

05/28/04

# Mouser Electronics

Authorized Distributor

Click to View Pricing, Inventory, Delivery & Lifecycle Information:

[Microchip:](#)

[MCP6SX2DM-PCTLPD](#) [MCP6SX2DM-PCTLTH](#)

## Данный компонент на территории Российской Федерации

### Вы можете приобрести в компании MosChip.

Для оперативного оформления запроса Вам необходимо перейти по данной ссылке:

<http://moschip.ru/get-element>

Вы можете разместить у нас заказ для любого Вашего проекта, будь то серийное производство или разработка единичного прибора.

В нашем ассортименте представлены ведущие мировые производители активных и пассивных электронных компонентов.

Нашей специализацией является поставка электронной компонентной базы двойного назначения, продукции таких производителей как XILINX, Intel (ex.ALTERA), Vicor, Microchip, Texas Instruments, Analog Devices, Mini-Circuits, Amphenol, Glenair.

Сотрудничество с глобальными дистрибьюторами электронных компонентов, предоставляет возможность заказывать и получать с международных складов практически любой перечень компонентов в оптимальные для Вас сроки.

На всех этапах разработки и производства наши партнеры могут получить квалифицированную поддержку опытных инженеров.

Система менеджмента качества компании отвечает требованиям в соответствии с ГОСТ Р ИСО 9001, ГОСТ РВ 0015-002 и ЭС РД 009

### Офис по работе с юридическими лицами:

105318, г.Москва, ул.Щербаковская д.3, офис 1107, 1118, ДЦ «Щербаковский»

Телефон: +7 495 668-12-70 (многоканальный)

Факс: +7 495 668-12-70 (доб.304)

E-mail: [info@moschip.ru](mailto:info@moschip.ru)

Skype отдела продаж:

moschip.ru

moschip.ru\_4

moschip.ru\_6

moschip.ru\_9