

Description

The MC34063A/E series is a monolithic control circuit which delivers the main functions for DC-DC voltage converting.

The device contains an internal temperature compensated reference, comparator, duty cycle controlled oscillator with an active current limit circuit, driver and high current output switch. Output voltage is adjustable through two external resistors with a 2% reference accuracy.

Employing a minimum number of external components, the MC34063A/E device series is designed for step-down, step-up and voltage-inverting applications.

Features

- Output switch current in excess of 1.5 A
- 2 % reference accuracy
- Low quiescent current: 2.5 mA (typ.)
- Operating from 3 V to 40 V
- Frequency operation to 100 kHz
- Active current limiting

Table 1. Device summary

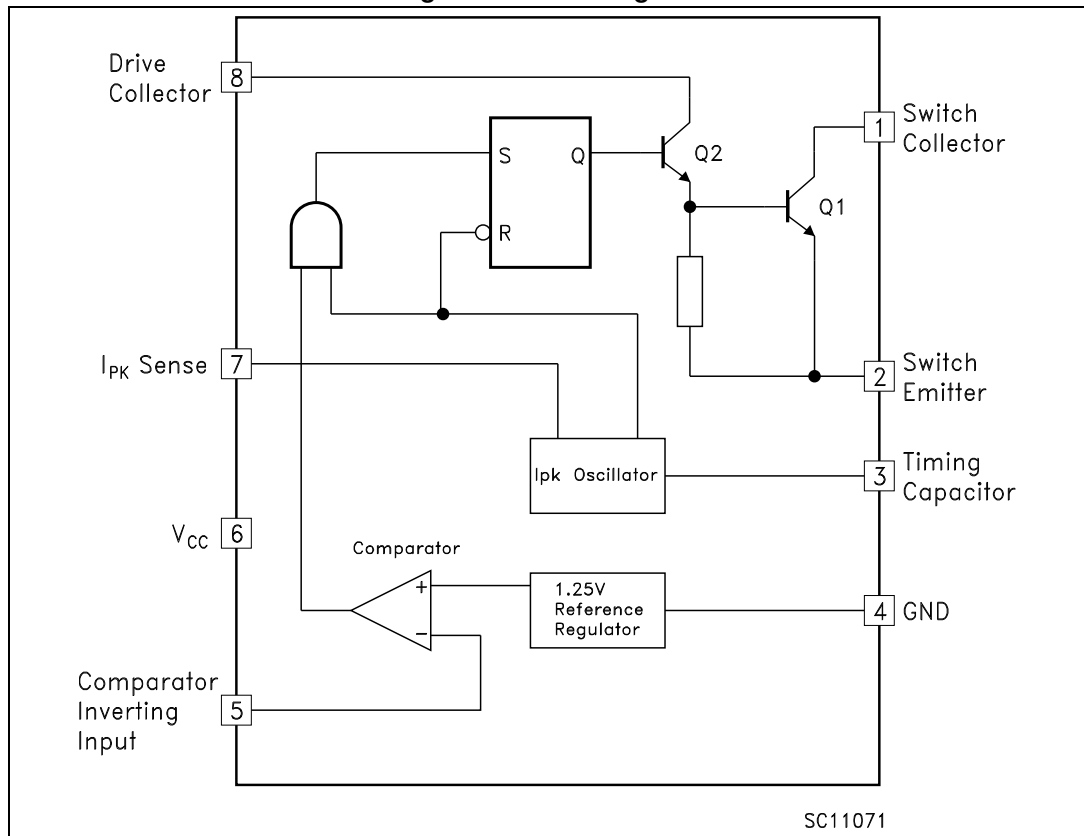
Order codes	
DIP-8	SO-8
MC34063ABN	MC34063ABD-TR
MC34063ACN	MC34063ACD-TR
MC34063EBN	MC34063EBD-TR
MC34063ECN	MC34063ECD-TR

Contents

1	Diagram	3
2	Pin configuration	4
3	Maximum ratings	5
4	Electrical characteristics	6
5	Typical performance characteristics	8
6	Typical application circuit	10
7	Package mechanical data	18
8	Revision history	22

1 Diagram

Figure 1. Block diagram



2 Pin configuration

Figure 2. Pin connections

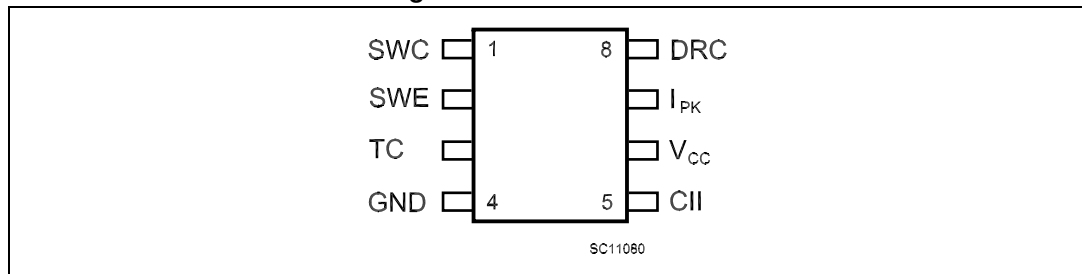


Table 2. Pin description

Pin n°	Symbol	Name and function
1	SWC	Switch collector
2	SWE	Switch emitter
3	TC	Timing capacitor
4	GND	Ground
5	CII	Comparator inverting input
6	V _{CC}	Voltage supply
7	I _{PK}	I _{PK} sense
8	DRC	Voltage driver collector

3 Maximum ratings

Table 3. Absolute maximum ratings

Symbol	Parameter		Value	Unit
V_{CC}	Power supply voltage		50	V
V_{IR}	Comparator input voltage range		-0.3 to 40	V
V_{SWC}	Switch collector voltage		40	V
V_{SWE}	Switch emitter voltage ($V_{SWC} = 40V$)		40	V
V_{CE}	Switch collector to emitter voltage		40	V
V_{DC}	Driver collector voltage		40	V
I_{DC}	Driver collector current		100	mA
I_{SW}	Switch current		1.5	A
P_{TOT}	Power dissipation at $T_A = 25^\circ C$	for DIP-8	1.25	W
		for SO-8	0.625	
T_J	Operating junction temperature		150	$^\circ C$
T_{STG}	Storage temperature range		-40 to 150	$^\circ C$
T_{OP}	Operating ambient temperature range	for AC and EC series	0 to 70	$^\circ C$
		for AB series	-40 to 85	
		for EB series	-40 to 125	

Note: Absolute maximum ratings are those values beyond which damage to the device may occur. Functional operation under these condition is not implied.

Table 4. Thermal data

Symbol	Parameter	DIP-8	SO-8	Unit
R_{thJA}	Thermal resistance junction-ambient ⁽¹⁾	100	160	$^\circ C/W$
R_{thJC}	Thermal resistance junction-case	42	20	$^\circ C/W$

1. This value depends from thermal design of PCB on which the device is mounted.

4 Electrical characteristics

Refer to the test circuits, $V_{CC} = 5\text{ V}$, $T_A = T_{LOW}$ to T_{HIGH} , unless otherwise specified. (a)

Table 5. Oscillator

Symbol	Parameter	Test conditions	Min.	Typ.	Max.	Unit
f_{OSC}	Frequency	$V_{PIN5} = 0\text{ V}$, $C_T = 1\text{ nF}$, $T_A = 25^\circ\text{C}$	24	33	42	kHz
I_{CHG}	Charge current	$V_{CC} = 5\text{ to }40\text{ V}$, $T_A = 25^\circ\text{C}$	24	33	42	μA
I_{DISCHG}	Discharge current	$V_{CC} = 5\text{ to }40\text{ V}$, $T_A = 25^\circ\text{C}$	140	200	260	μA
I_{DISCHG}/I_{CHG}	Discharge to charge current ratio	$PIN\ 7 = V_{CC}$, $T_A = 25^\circ\text{C}$	5.2	6.2	7.5	μA
$V_{IPK(sense)}$	Current limit sense voltage	$I_{CHG} = I_{DISCHG}$, $T_A = 25^\circ\text{C}$	250	300	350	mV

Table 6. Output switch

Symbol	Parameter	Test conditions	Min.	Typ.	Max.	Unit
$V_{CE(sat)}$	Saturation voltage, Darlington connection	$I_{SW} = 1\text{ A}$, PIN 1, 8 connected		1	1.3	V
$V_{CE(sat)}$	Saturation voltage	$I_{SW} = 1\text{ A}$, $R_{PIN8} = 82\ \Omega$ to V_{CC} Forced $\beta \sim 20$		0.45	0.7	V
h_{FE}	DC current gain	$I_{SW} = 1\text{ A}$, $V_{CE} = 5\text{ V}$, $T_A = 25^\circ\text{C}$	50	120		
$I_{C(off)}$	Collector off-state current	$V_{CE} = 40\text{ V}$		0.01	100	μA

Table 7. Comparator

Symbol	Parameter	Test conditions	Min.	Typ.	Max.	Unit
V_{TH}	Threshold voltage	$T_A = 25^\circ\text{C}$	1.225	1.25	1.275	V
		$T_A = T_{LOW}$ to T_{HIGH}	1.21		1.29	
Reg_{line}	Threshold voltage line regulation	$V_{CC} = 3\text{ to }40\text{ V}$		1	10	mV
I_{IB}	Input bias current	$V_{IN} = 0\text{ V}$		-5	-400	nA

a. $T_{LOW} = 0^\circ\text{C}$, $T_{HIGH} = 70^\circ\text{C}$ (AC and EC series); $T_{LOW} = -40^\circ\text{C}$, $T_{HIGH} = 85^\circ\text{C}$ (AB series); $T_{LOW} = -40^\circ\text{C}$, $T_{HIGH} = 125^\circ\text{C}$ (EB series)

Table 8. Total device

Symbol	Parameter	Test conditions	Min.	Typ.	Max.	Unit	
I _{CC}	Supply current	V _{CC} = 5 to 40 V C _T = 1 nF PIN 7 = V _{CC} V _{PIN5} > V _{TH} PIN 2 = GND Remaining pins open	for MC34063A		2.5	4	mA
			for MC34063E		1.5	4	
V _{START-UP}	Start-up voltage ⁽¹⁾	T _A = 25°C C _T = 1 μF, PIN 5 = 0	for MC34063A		2.1		V
			for MC34063E		1.5		

1. Start-up voltage is the minimum power supply voltage at which the internal oscillator begins to work.

Note: *Maximum package power dissipation limit must be observed.*

If Darlington configuration is not used, care must be taken to avoid deep saturation of output switch. The resulting switch-off time may be adversely affected. In a Darlington configuration the following output driver condition is suggested:

$$\text{Forced } \beta \text{ of output current switch} = I_{\text{OUTPUT}} / (I_{\text{CDRIVER}} - 1 \text{ mA}) \geq 10$$

5 Typical performance characteristics

Figure 3. Emitter follower configuration output saturation voltage vs. emitter current

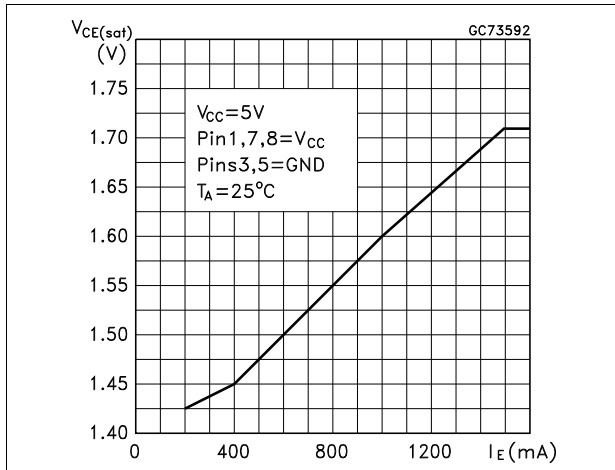


Figure 4. Output switch ON-OFF time vs. oscillator timing capacitor

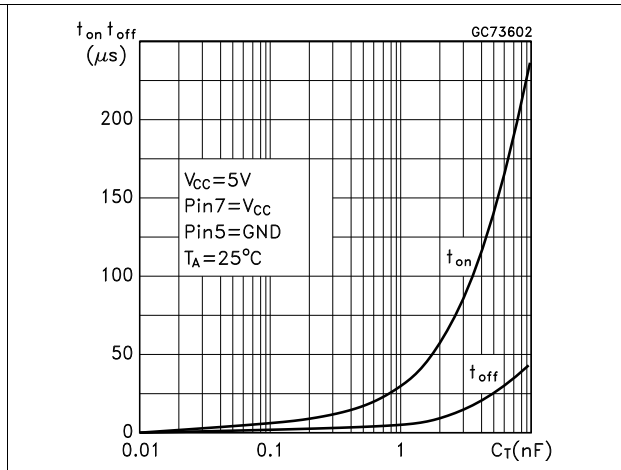


Figure 5. Common emitter configuration output switch saturation voltage vs. collector current

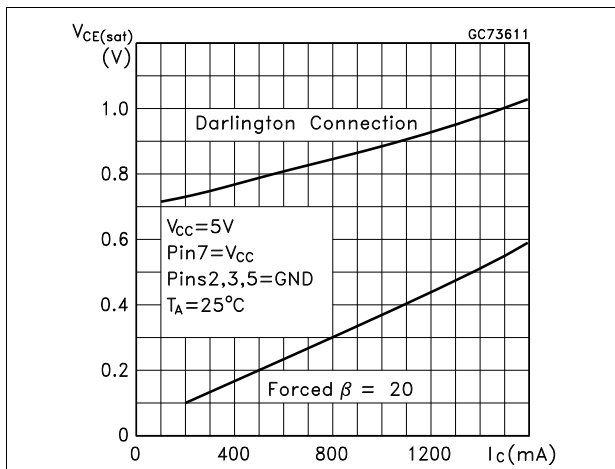


Figure 6. Darlington configuration collector emitter saturation voltage (V_{CEsat}) vs. temperature

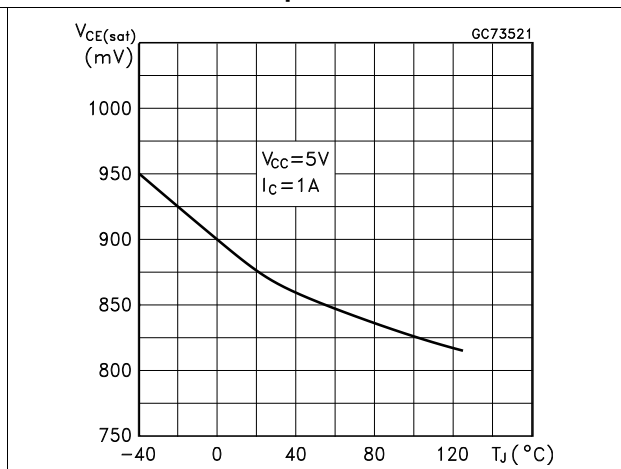


Figure 7. Power collector emitter saturation voltage (V_{CEsat}) vs. temperature

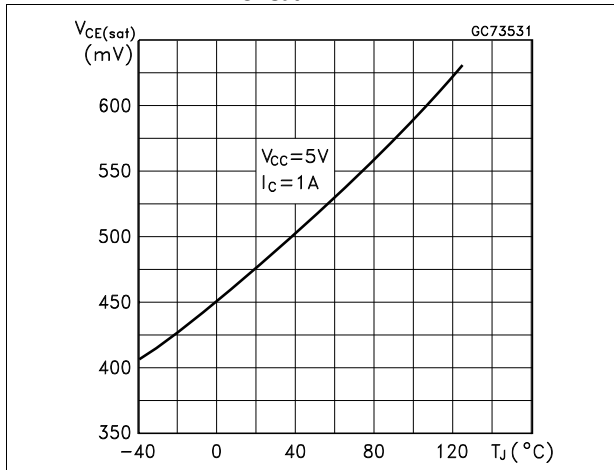


Figure 8. Current limit sense voltage (V_{IPK}) vs. temperature

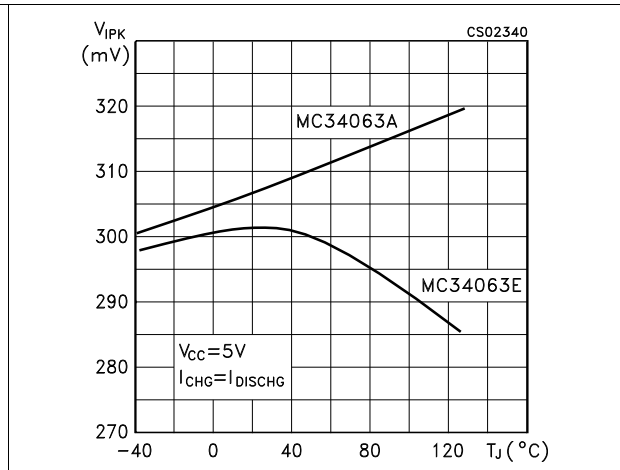


Figure 9. Reference voltage vs. temperature

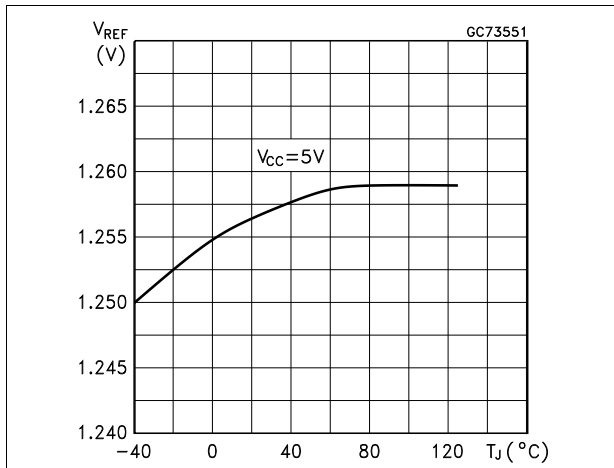


Figure 10. Bias current vs. temperature

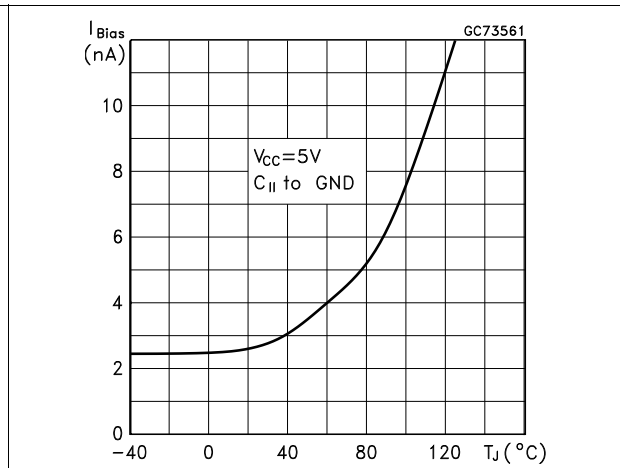


Figure 11. Supply current vs. temperature

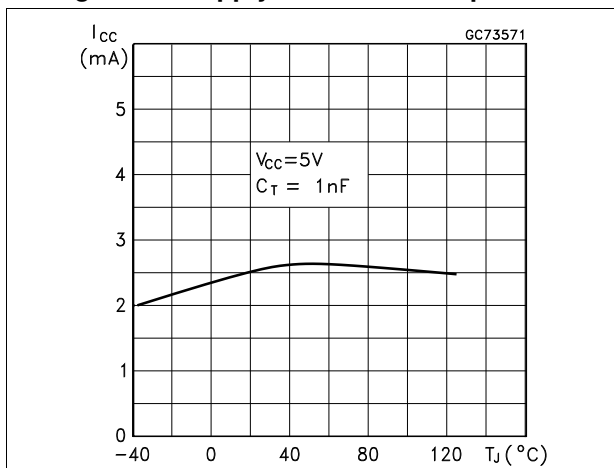
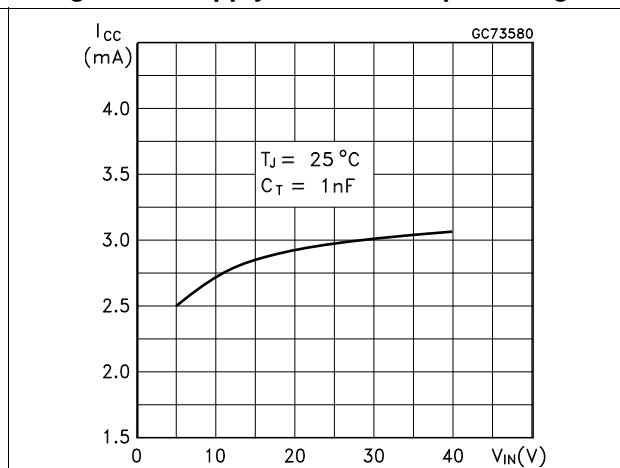


Figure 12. Supply current vs. input voltage



6 Typical application circuit

Figure 13. Step-up converter

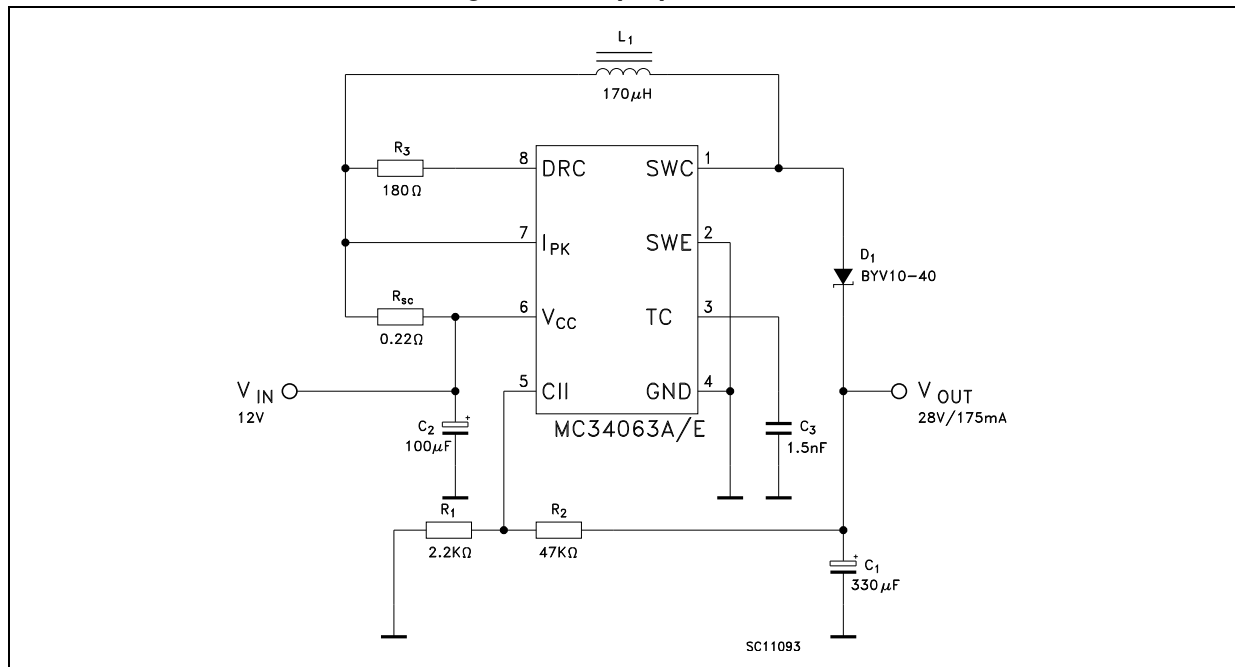


Figure 14. Printed evaluation board

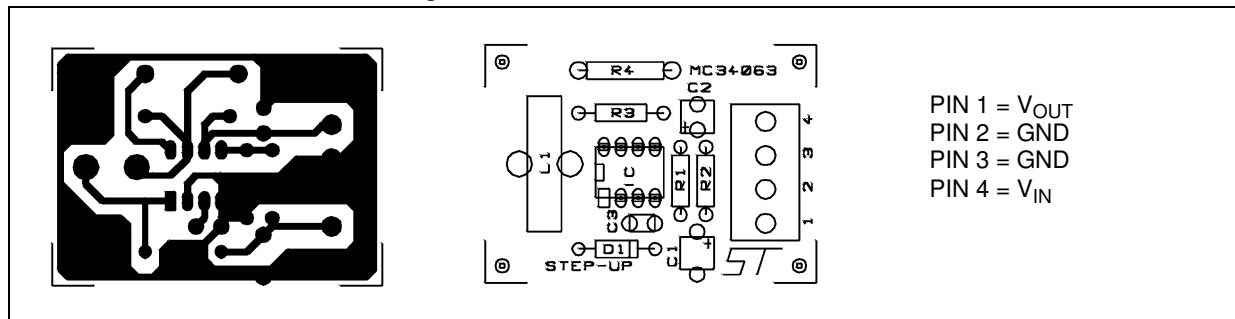


Table 9. Test condition ($V_{OUT} = 28\text{ V}$)

Test	Conditions	Value (Typ.)	Unit
Line Regulation	$V_{IN} = 8\text{ to }16\text{ V}$, $I_O = 175\text{ mA}$	30	mV
Load Regulation	$V_{IN} = 12\text{ V}$, $I_O = 75\text{ to }175\text{ mA}$	10	mV
Output Ripple	$V_{IN} = 12\text{ V}$, $I_O = 175\text{ mA}$	300	mV
Efficiency	$V_{IN} = 12\text{ V}$, $I_O = 175\text{ mA}$	89	%

Figure 15. Step-down converter

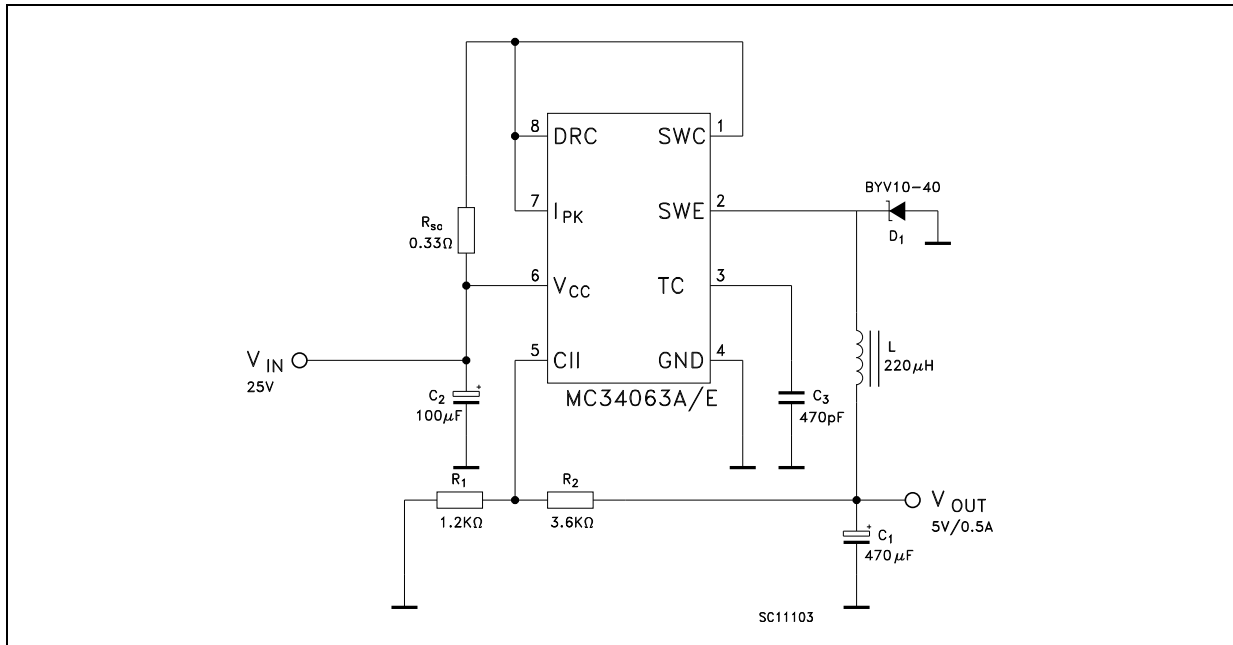


Figure 16. Printed evaluation board

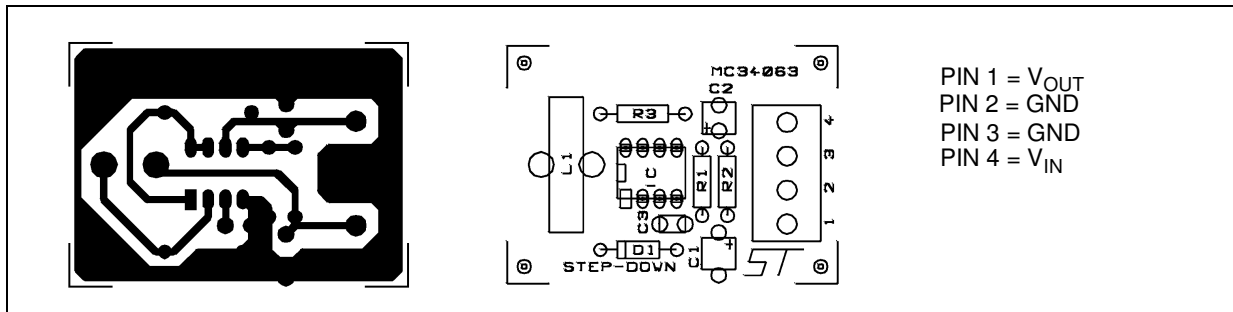


Table 10. Test condition ($V_{OUT} = 5\text{ V}$)

Test	Conditions	Value (typ.)	Unit
Line regulation	$V_{IN} = 15\text{ to }25\text{ V}$, $I_O = 500\text{ mA}$	5	mV
Load regulation	$V_{IN} = 25\text{ V}$, $I_O = 50\text{ to }500\text{ mA}$	30	mV
Output ripple	$V_{IN} = 25\text{ V}$, $I_O = 500\text{ mA}$	100	mV
Efficiency	$V_{IN} = 25\text{ V}$, $I_O = 500\text{ mA}$	80	%
I_{SC}	$V_{IN} = 25\text{ V}$, $R_{LOAD} = 0.1\ \Omega$	1.2	A

Figure 17. Voltage inverting converter

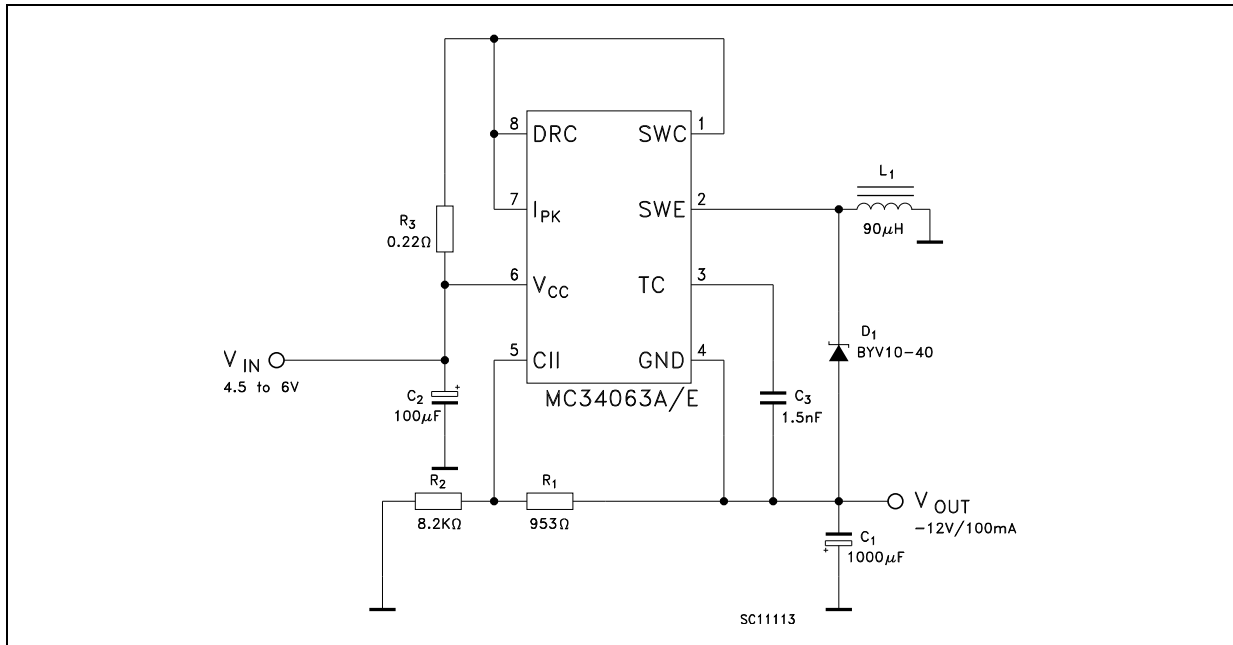


Figure 18. Printed evaluation board

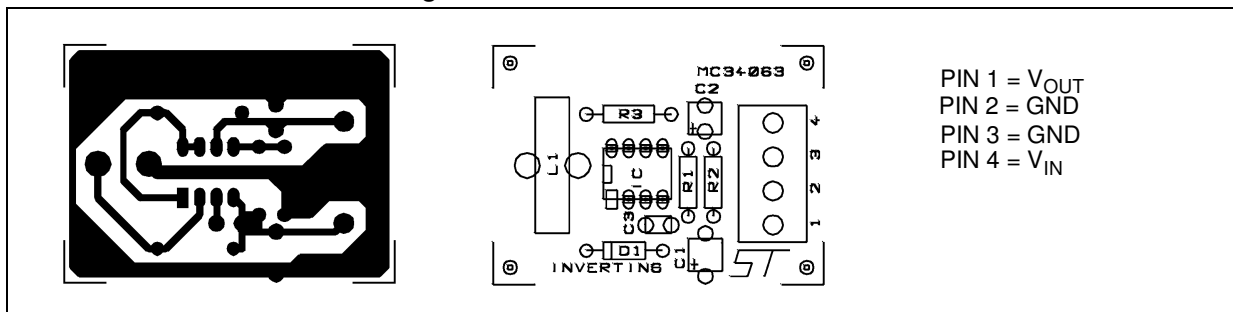


Table 11. Test condition ($V_{OUT} = 12\text{ V}$)

Test	Conditions	Value (typ.)	Unit
Line regulation	$V_{IN} = 4.5\text{ to }6\text{ V}$, $I_O = 100\text{ mA}$	15	mV
Load regulation	$V_{IN} = 5\text{ V}$, $I_O = 10\text{ to }100\text{ mA}$	20	mV
Output ripple	$V_{IN} = 5\text{ V}$, $I_O = 100\text{ mA}$	230	mV
Efficiency	$V_{IN} = 5\text{ V}$, $I_O = 100\text{ mA}$	58	%
I_{SC}	$V_{IN} = 5\text{ V}$, $R_{LOAD} = 0.1\ \Omega$	0.9	A

Table 12. Calculation

Parameter	Step-Up (Discontinuous mode)	Step-Down (Continuous mode)	Voltage Inverting (Discontinuous mode)
t_{on}/t_{off}	$\frac{V_{OUT} + V_F - V_{IN(min)}}{V_{IN(min)} - V_{sat}}$	$\frac{V_{OUT} + V_F}{V_{IN(min)} - V_{sat} - V_{OUT}}$	$\frac{ V_{OUT} + V_F}{V_{IN} - V_{sat}}$
$(t_{on} + t_{off}) \text{ max}$	$1/f_{min}$	$1/f_{min}$	$1/f_{min}$
C_T	$4.5 \times 10^{-5} t_{on}$	$4.5 \times 10^{-5} t_{on}$	$4.5 \times 10^{-5} t_{on}$
$I_{PK(switch)}$	$2I_{out(max)}[(t_{on}/t_{off}) + 1]$	$2I_{out(max)}$	$2I_{out(max)}[(t_{on}/t_{off}) + 1]$
R_{SC}	$0.3/I_{PK(switch)}$	$0.3/I_{PK(switch)}$	$0.3/I_{PK(switch)}$
C_O	$\frac{I_{out} t_{on}}{V_{ripple(p-p)}}$	$\frac{I_{PK(switch)}(t_{on} + t_{off})}{8V_{ripple(p-p)}}$	$\frac{I_{out} t_{on}}{V_{ripple(p-p)}}$
$L_{(min)}$	$\frac{V_{IN(min)} - V_{sat}}{I_{PK(switch)}} \times t_{on(min)}$	$\frac{V_{IN(min)} - V_{sat} - V_{out}}{I_{PK(switch)}} \times t_{on(min)}$	$\frac{V_{IN(min)} - V_{sat}}{I_{PK(switch)}} \times t_{on(min)}$

Note: V_{SAT} = Saturation voltage of the output switch

V_F = Forward voltage drop of the output rectifier

The following power supply characteristics must be chosen:

V_{IN} = Nominal input voltage

V_{OUT} = Desired output voltage, $|V_{OUT}| = 1.25 (1 + R_2/R_1)$

I_{OUT} = Desired output current

f_{MIN} = Minimum desired output switching frequency at the selected values of V_{IN} and I_O

V_{RIPPLE} = Desired peak to peak output ripple voltage. In practice, the calculated capacitor value will and to be increased due to its equivalent series resistance and board layout. The ripple voltage should be kept to a low value since it will directly affect the line and load regulation.

Figure 19. Step-up with external NPN switch

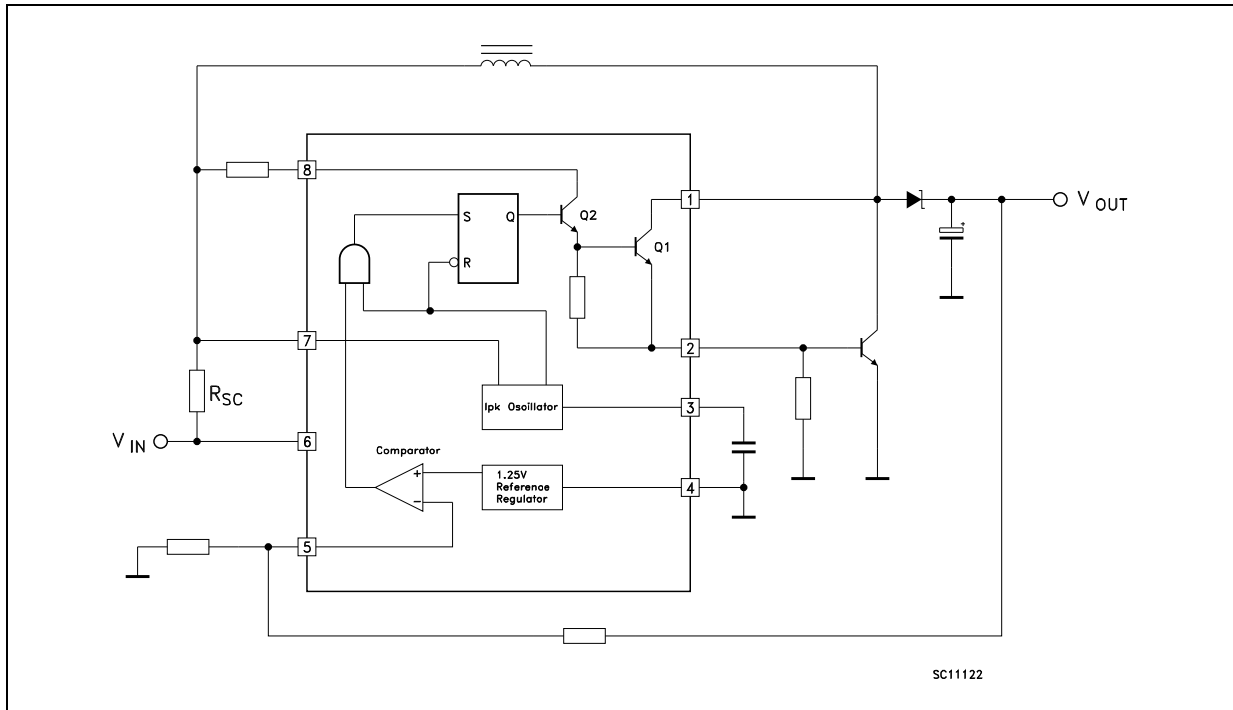


Figure 20. Step-down with external NPN switch

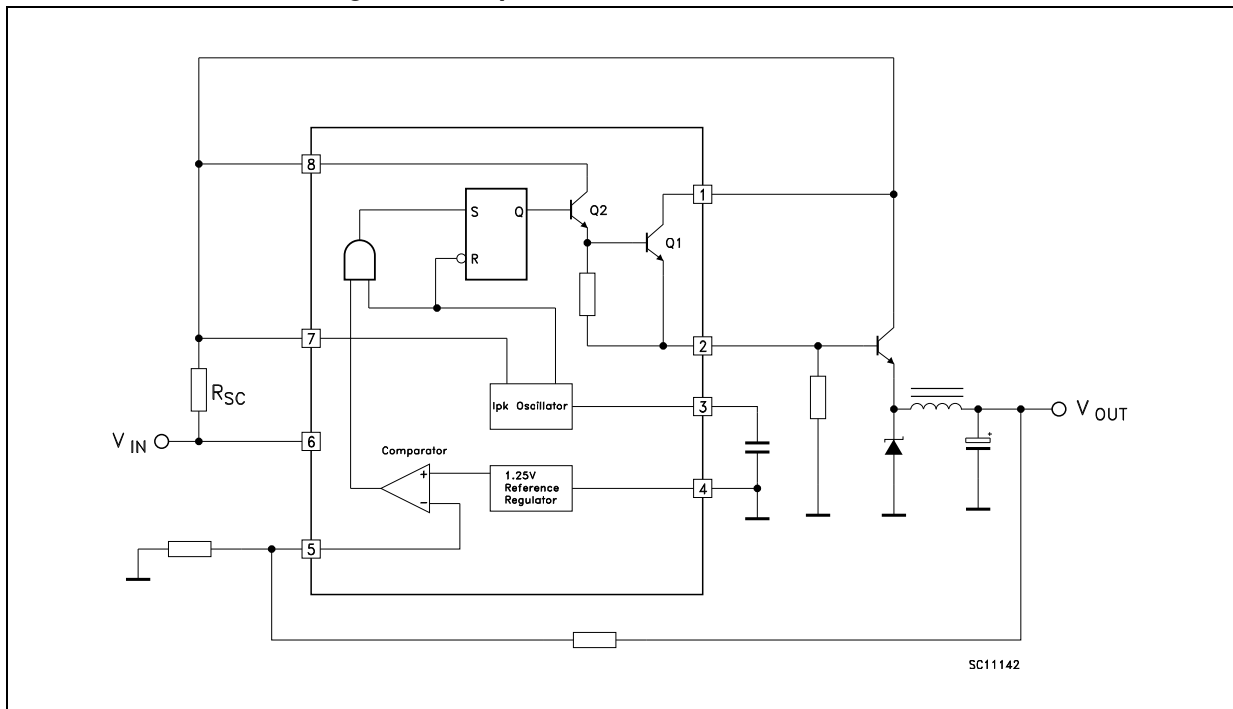


Figure 21. Step-down with external PNP switch

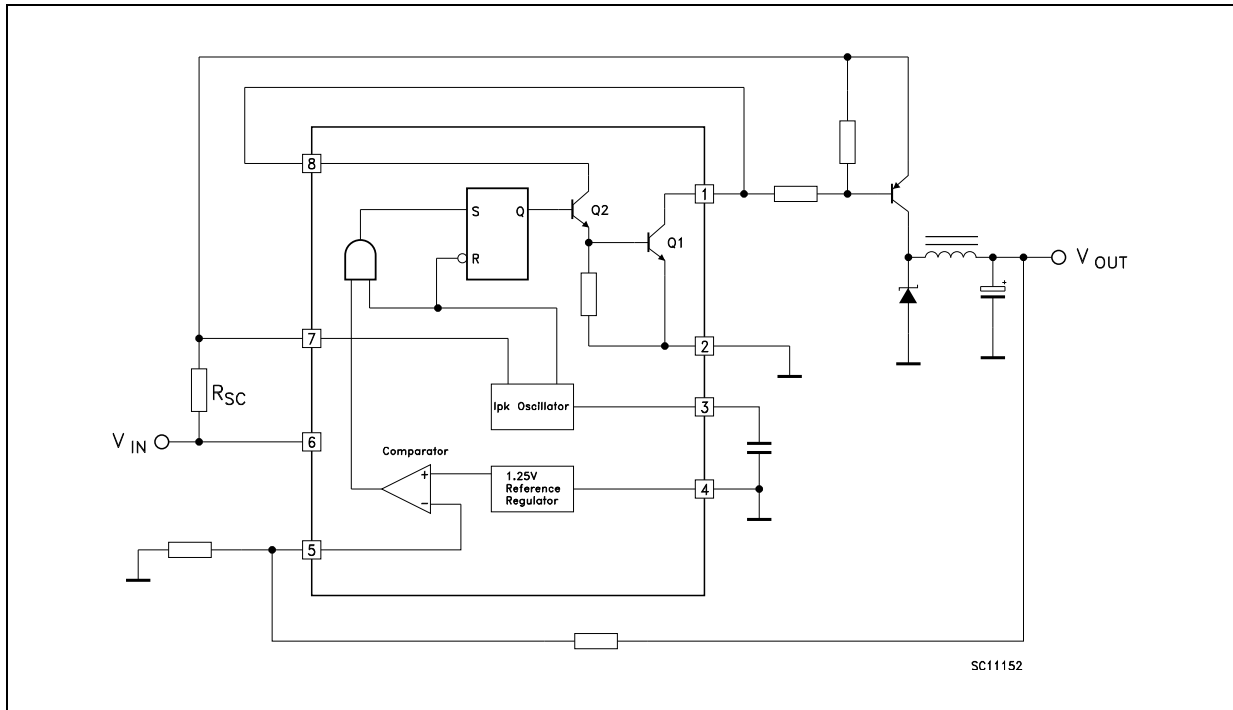


Figure 22. Voltage inverting with external NPN switch

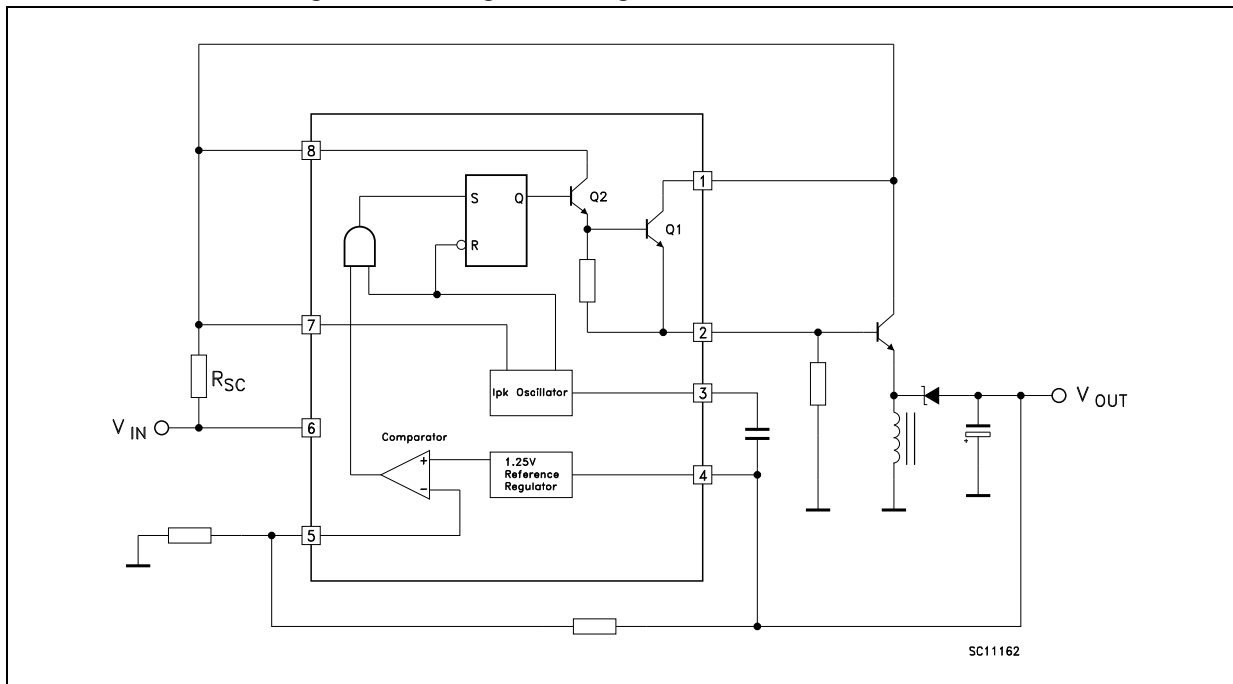


Figure 23. Voltage inverting with external PNP saturated switch

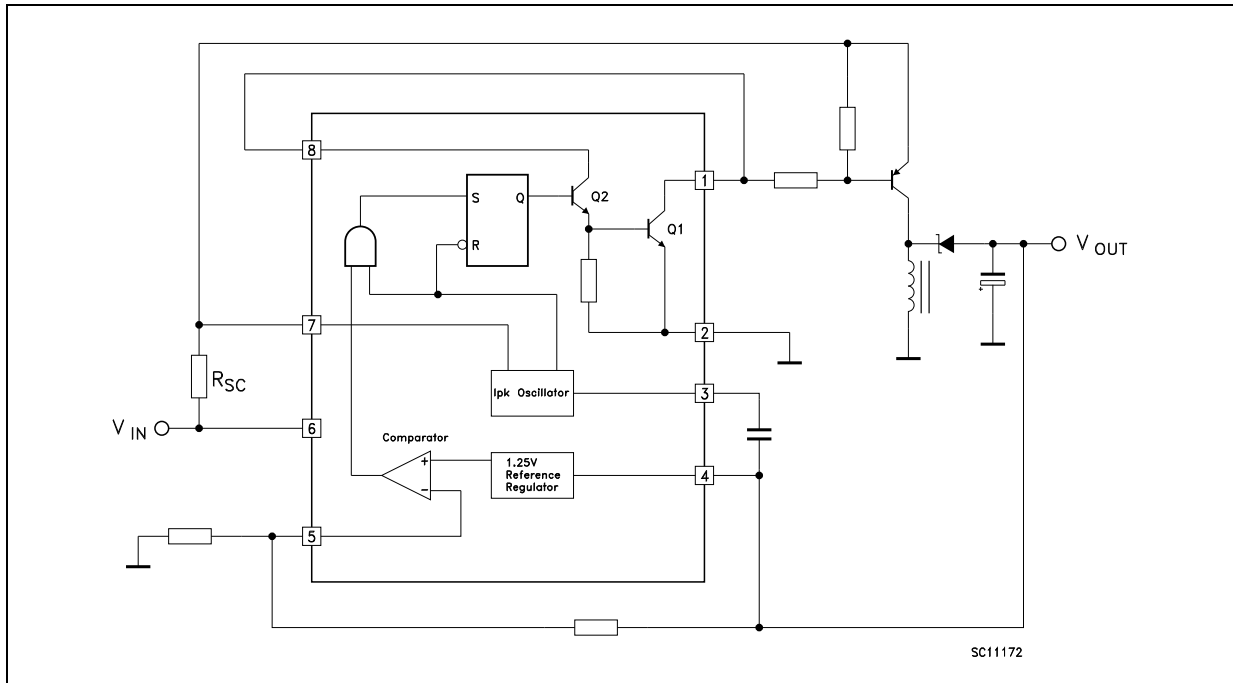


Figure 24. Dual output voltage

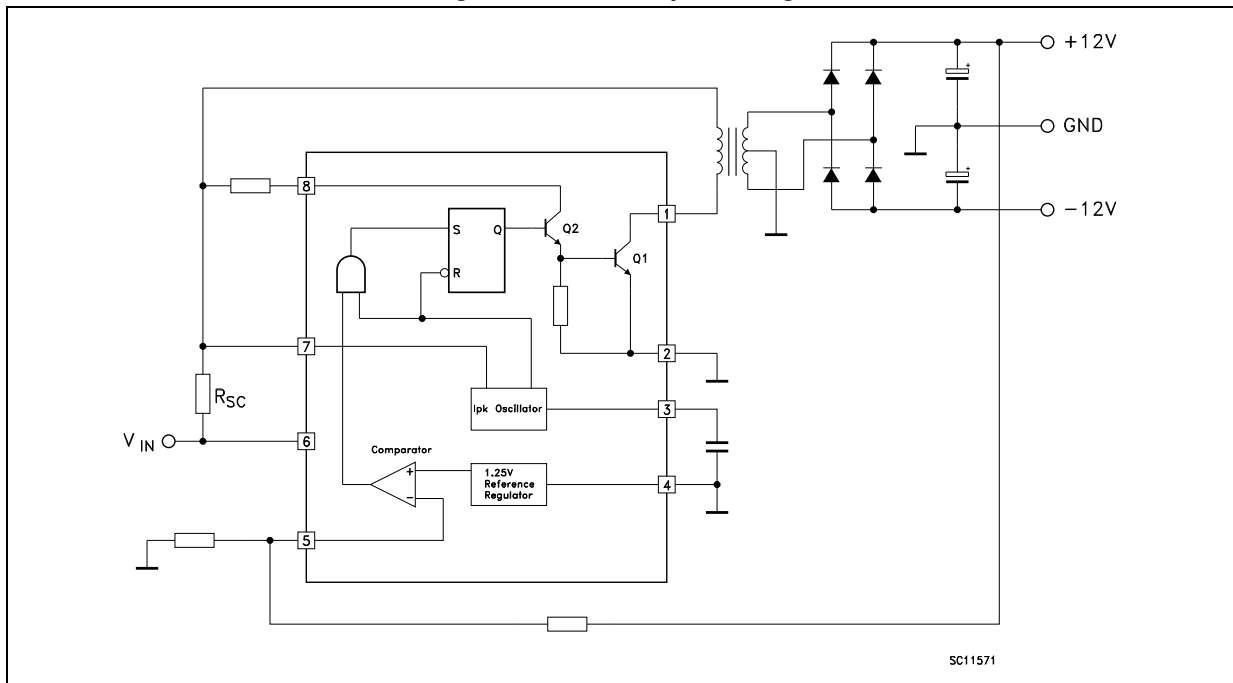
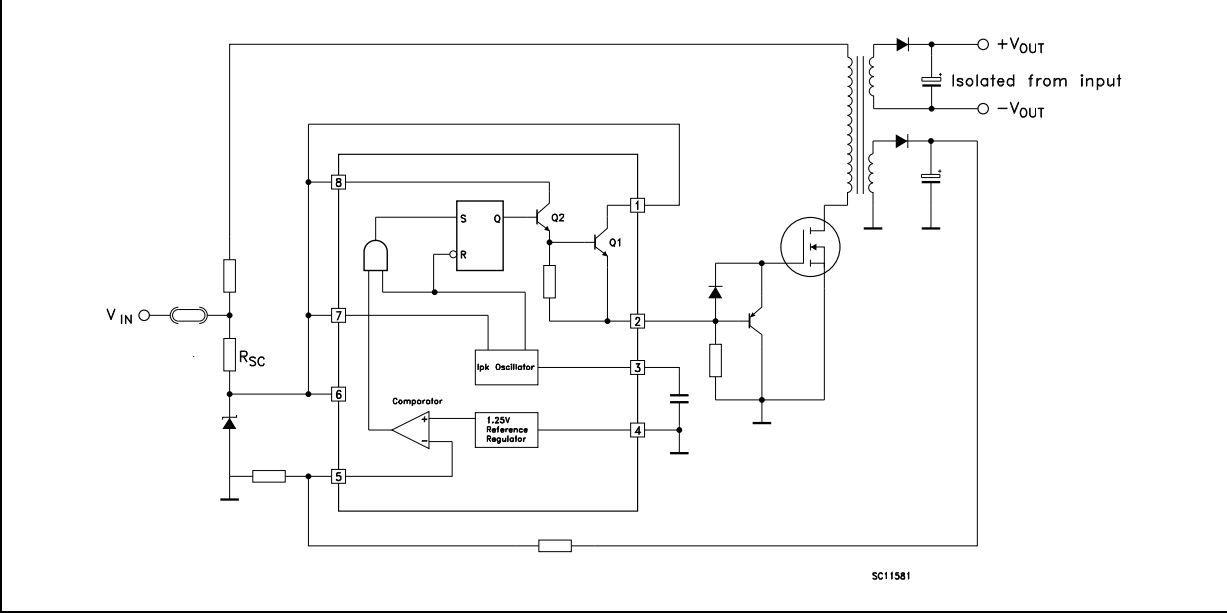


Figure 25. Higher output power, higher input voltage

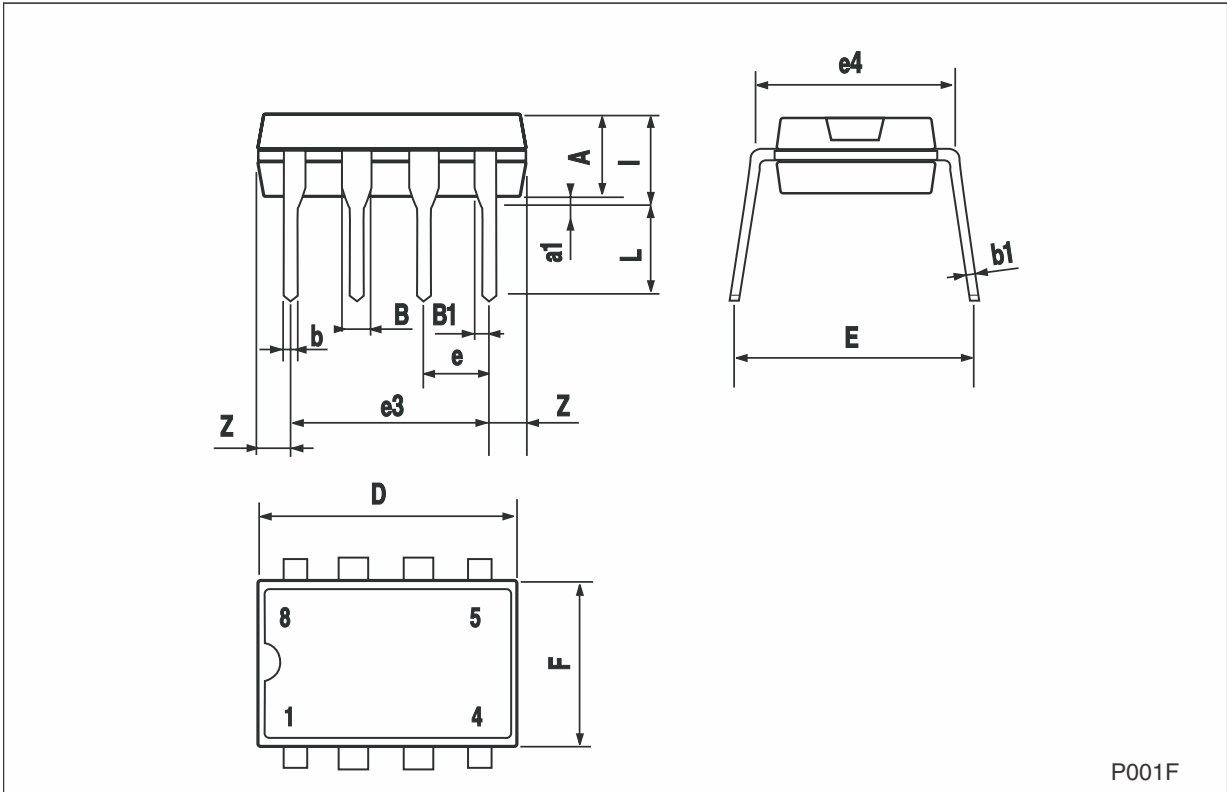


7 Package mechanical data

In order to meet environmental requirements, ST offers these devices in different grades of ECOPACK packages, depending on their level of environmental compliance. ECOPACK specifications, grade definitions and product status are available at: www.st.com. ECOPACK is an ST trademark.

Plastic DIP-8 mechanical data

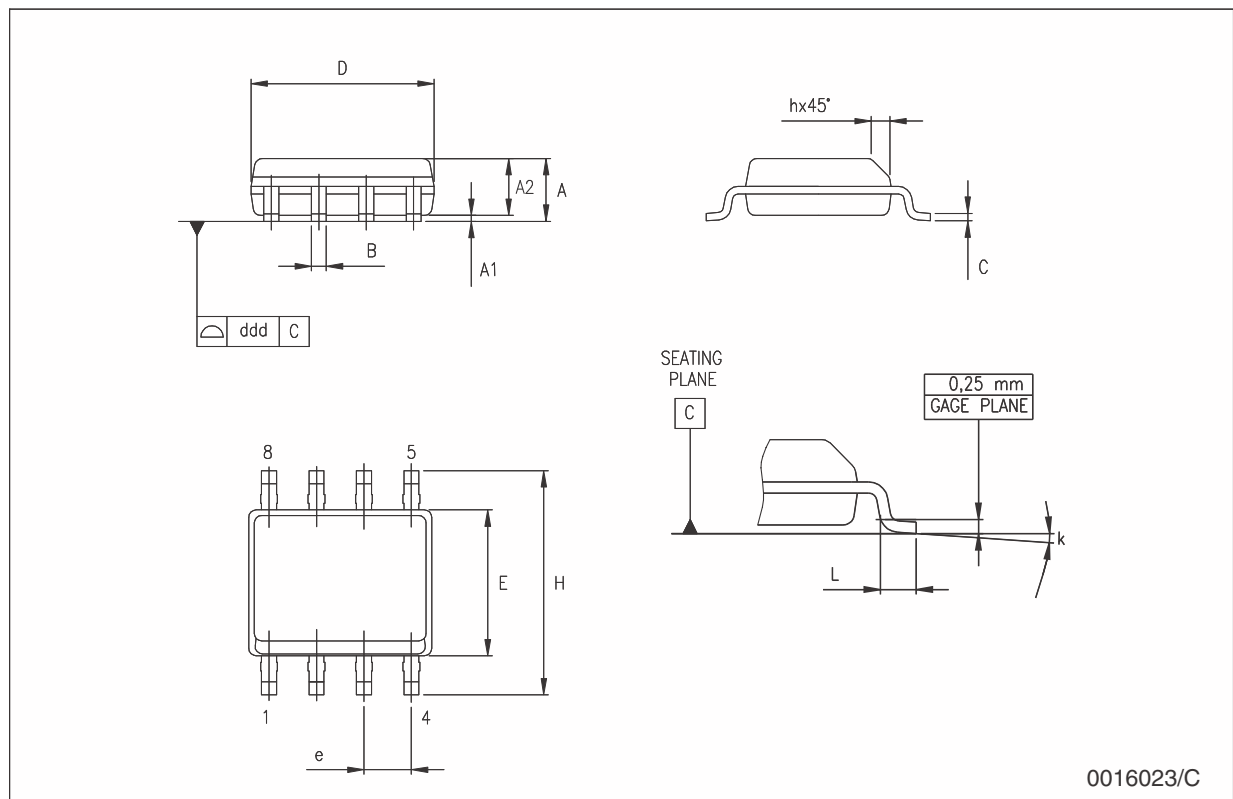
Dim.	mm.			inch.		
	Min.	Typ.	Max.	Min.	Typ.	Max.
A		3.3			0.130	
a1	0.7			0.028		
B	1.39		1.65	0.055		0.065
B1	0.91		1.04	0.036		0.041
b		0.5			0.020	
b1	0.38		0.5	0.015		0.020
D			9.8			0.386
E		8.8			0.346	
e		2.54			0.100	
e3		7.62			0.300	
e4		7.62			0.300	
F			7.1			0.280
I			4.8			0.189
L		3.3			0.130	
Z	0.44		1.6	0.017		0.063



P001F

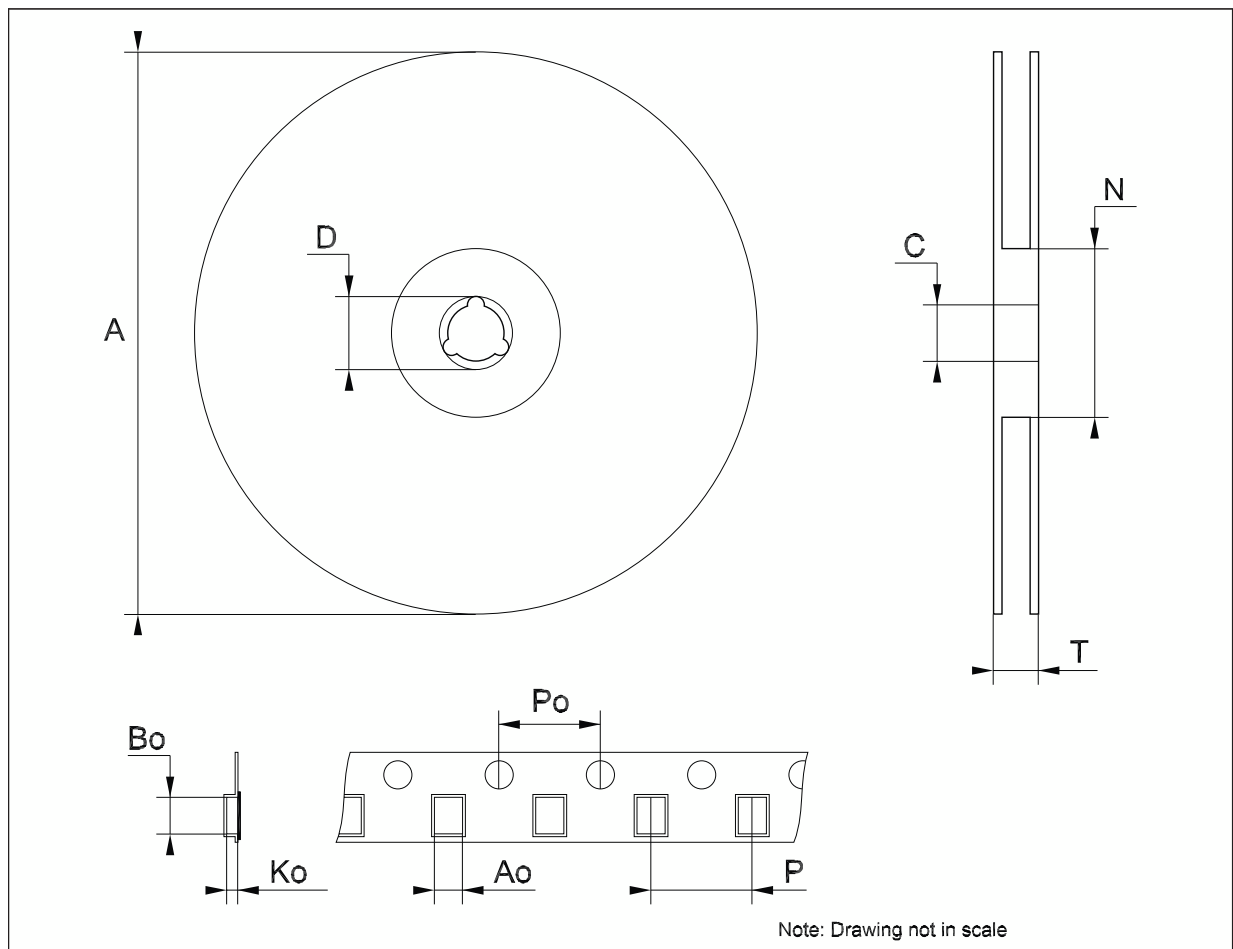
SO-8 mechanical data

Dim.	mm.			inch.		
	Min.	Typ.	Max.	Min.	Typ.	Max.
A	1.35		1.75	0.053		0.069
A1	0.10		0.25	0.04		0.010
A2	1.10		1.65	0.043		0.065
B	0.33		0.51	0.013		0.020
C	0.19		0.25	0.007		0.010
D	4.80		5.00	0.189		0.197
E	3.80		4.00	0.150		0.157
e		1.27			0.050	
H	5.80		6.20	0.228		0.244
h	0.25		0.50	0.010		0.020
L	0.40		1.27	0.016		0.050
k	8° (max.)					
ddd			0.1			0.04



Tape & reel SO-8 mechanical data

Dim.	mm.			inch.		
	Min.	Typ.	Max.	Min.	Typ.	Max.
A			330			12.992
C	12.8		13.2	0.504		0.519
D	20.2			0.795		
N	60			2.362		
T			22.4			0.882
Ao	8.1		8.5	0.319		0.335
Bo	5.5		5.9	0.216		0.232
Ko	2.1		2.3	0.082		0.090
Po	3.9		4.1	0.153		0.161
P	7.9		8.1	0.311		0.319



8 Revision history

Table 13. Document revision history

Date	Revision	Changes
20-Nov-2007	10	Added Table 1.
24-Apr-2013	11	Removed note in Table 1.
11-Feb-2020	12	Corrected a typo on Reg _{line} parameter (from 5 mV Max. to 10 mV Max.) in Table 7: Comparator .

IMPORTANT NOTICE – PLEASE READ CAREFULLY

STMicroelectronics NV and its subsidiaries (“ST”) reserve the right to make changes, corrections, enhancements, modifications, and improvements to ST products and/or to this document at any time without notice. Purchasers should obtain the latest relevant information on ST products before placing orders. ST products are sold pursuant to ST’s terms and conditions of sale in place at the time of order acknowledgement.

Purchasers are solely responsible for the choice, selection, and use of ST products and ST assumes no liability for application assistance or the design of Purchasers’ products.

No license, express or implied, to any intellectual property right is granted by ST herein.

Resale of ST products with provisions different from the information set forth herein shall void any warranty granted by ST for such product.

ST and the ST logo are trademarks of ST. For additional information about ST trademarks, please refer to www.st.com/trademarks. All other product or service names are the property of their respective owners.

Information in this document supersedes and replaces information previously supplied in any prior versions of this document.

© 2020 STMicroelectronics – All rights reserved

Данный компонент на территории Российской Федерации

Вы можете приобрести в компании MosChip.

Для оперативного оформления запроса Вам необходимо перейти по данной ссылке:

<http://moschip.ru/get-element>

Вы можете разместить у нас заказ для любого Вашего проекта, будь то серийное производство или разработка единичного прибора.

В нашем ассортименте представлены ведущие мировые производители активных и пассивных электронных компонентов.

Нашей специализацией является поставка электронной компонентной базы двойного назначения, продукции таких производителей как XILINX, Intel (ex.ALTERA), Vicor, Microchip, Texas Instruments, Analog Devices, Mini-Circuits, Amphenol, Glenair.

Сотрудничество с глобальными дистрибьюторами электронных компонентов, предоставляет возможность заказывать и получать с международных складов практически любой перечень компонентов в оптимальные для Вас сроки.

На всех этапах разработки и производства наши партнеры могут получить квалифицированную поддержку опытных инженеров.

Система менеджмента качества компании отвечает требованиям в соответствии с ГОСТ Р ИСО 9001, ГОСТ РВ 0015-002 и ЭС РД 009

Офис по работе с юридическими лицами:

105318, г.Москва, ул.Щербаковская д.3, офис 1107, 1118, ДЦ «Щербаковский»

Телефон: +7 495 668-12-70 (многоканальный)

Факс: +7 495 668-12-70 (доб.304)

E-mail: info@moschip.ru

Skype отдела продаж:

moschip.ru

moschip.ru_4

moschip.ru_6

moschip.ru_9