

# Altech Corp.®

Serving the Automation & Control Industry since 1984



## Altech Panel Accessories



# LED Panel Light APL-Series

- Energy efficient LED technology
- Long life
- Magnet or Screw mounting
- Daisy chain (up to 10 lights)
- Maintenance-free
- On/off switch or motion sensor
- Wide Voltage Range (AC or DC)
- Integrated power unit



## Technical Details

|                         |   |
|-------------------------|---|
| Power Consumption       | Max. 5W   |
| Luminosity              | 290Lm at 120° / 870Lm at 360° (equals 75W light bulb)                     |
| LED Type                | Angle of radiation 120°, light color: daylight, color temperature: 8,500k |
| Life Expectancy         | 60,000h at 68°F (20°C)  |
| Connection              | 2-pole connector with snap lock   |
| AC                      | Max. 2.5A / 240VAC, color: white connector                                |
| DC                      | Max. 2.5A / 60VDC, color: blue connector                                  |
| Housing                 | Plastic, transparent  |
| Operating Temperature   | -22° to 140°F (-30°C to 60°C)   |
| Operating Humidity      | Max. 80% RH (non-condensing)  |
| Protection Type / Class | IP20  |

## Attachment Method-Magnet

| Part No.     | Operating Voltage                                | Switch Type   | Weight       |
|--------------|--|---------------|--------------|
| APL-M120ACLS | 100-240VAC, 50/60Hz<br>(min. 90VAC, max. 265VAC) | on/off switch | 7oz (.44lbs) |
| APL-M24DCLS  | 24-48VDC<br>(min. 20VDC, max. 60VDC)             | on/off switch | 7oz (.44lbs) |
| APL-M120ACMS | 100-240VAC, 50/60Hz<br>(min. 90VAC, max. 265VAC) | motion sensor | 7oz (.44lbs) |
| APL-M24DCMS  | 24-48VDC<br>(min. 20VDC, max. 60VDC)             | motion sensor | 7oz (.44lbs) |

## Attachment Method-Screw

| Part No.     | Operating Voltage                                | Switch Type   | Weight       |
|--------------|--|---------------|--------------|
| APL-S120ACLS | 100-240VAC, 50/60Hz<br>(min. 90VAC, max. 265VAC) | on/off switch | 7oz (.44lbs) |
| APL-S24DCLS  | 24-48VDC<br>(min. 20VDC, max. 60VDC)             | on/off switch | 7oz (.44lbs) |
| APL-S120ACMS | 100-240VAC, 50/60Hz<br>(min. 90VAC, max. 265VAC) | motion sensor | 7oz (.44lbs) |
| APL-S24DCMS  | 24-48VDC<br>(min. 20VDC, max. 60VDC)             | motion sensor | 7oz (.44lbs) |





# Panel Filters



- Mounts Quickly and Easily - no mounting hardware required
- Low external Profile
- UV & Heat resisting Housing material
- Black or Grey Housing Color
- Filtering Class: G3 according to EN779
- Filtration Efficiency: 85% (DIN24185)
- Filter Mat included



## Exhaust Grills

| Part No.<br>Grey (RAL7035) | Part No.<br>Black (RAL9005) | Dust Retention<br>Capacity | Cutout<br>Dimensions | Outer<br>Dimensions |
|----------------------------|-----------------------------|----------------------------|----------------------|---------------------|
| AEG-1000G                  | AEG-1000B                   | 1.96oz/ft <sup>2</sup>     | 3.62"x3.62"          | 4.2"x4.2"x0.9"      |
| AEG-2000G                  | AEG-2000B                   | 1.96oz/ft <sup>2</sup>     | 4.92"x4.92"          | 5.9"x5.9"x1.1"      |
| AEG-3000G                  | AEG-3000B                   | 1.96oz/ft <sup>2</sup>     | 6.97"x6.97"          | 8.0"x8.0"x1.2"      |
| AEG-4000G                  | AEG-4000B                   | 1.96oz/ft <sup>2</sup>     | 8.78"x8.78"          | 9.8"x9.8"x1.3"      |
| AEG-5000G                  | AEG-5000B                   | 1.96oz/ft <sup>2</sup>     | 11.46"x11.46"        | 12.8"x12.8"x1.3"    |

## Filter Fans | 115VAC\*

| Part No.<br>Grey (RAL7035) | Part No.<br>Black (RAL7035) | Rated<br>Voltage | Rated Current<br>@ 50/60Hz | Power Usage<br>@ 50/ 60Hz | Max.<br>Airflow | Fan<br>Noise | Static<br>Pressure     | Cutout<br>Dimensions |
|----------------------------|-----------------------------|------------------|----------------------------|---------------------------|-----------------|--------------|------------------------|----------------------|
| AFF-1010G-120VAC           | AFF-1010B-120VAC            | 115VAC           | 0.11/ 0.09A                | 9/ 7W                     | 7/ 9CFM         | 33dB(A)      | 0.13inH <sub>2</sub> O | 3.62"x3.62"          |
| AFF-1020G-120VAC           | AFF-1020B-120VAC            | 115VAC           | 0.15/ 0.13A                | 12/ 10W                   | 13/ 15CFM       | 42dB(A)      | 0.23inH <sub>2</sub> O | 3.62"x3.62"          |
| AFF-2010G-120VAC           | AFF-2010B-120VAC            | 115VAC           | 0.20/ 0.18A                | 16/ 15W                   | 26/ 29CFM       | 49dB(A)      | 0.33inH <sub>2</sub> O | 4.92"x4.92"          |
| AFF-2020G-120VAC           | AFF-2020B-120VAC            | 115VAC           | 0.25/ 0.22A                | 19/ 17W                   | 39/ 46CFM       | 44dB(A)      | 0.35inH <sub>2</sub> O | 4.92"x4.92"          |
| AFF-3010G-120VAC           | AFF-3010B-120VAC            | 115VAC           | 0.21/ 0.20A                | 19/ 18W                   | 59/ 65CFM       | 49dB(A)      | 0.24inH <sub>2</sub> O | 6.97"x6.97"          |
| AFF-3020G-120VAC           | AFF-3020B-120VAC            | 115VAC           | 0.20/ 0.18A                | 16/ 15W                   | 65/ 76CFM       | 44dB(A)      | 0.40inH <sub>2</sub> O | 6.97"x6.97"          |
| AFF-4010G-120VAC           | AFF-4010B-120VAC            | 115VAC           | 0.21/ 0.21A                | 17/ 16W                   | 62/ 70CFM       | 49dB(A)      | 0.23inH <sub>2</sub> O | 8.78"x8.78"          |
| AFF-4020G-120VAC           | AFF-4020B-120VAC            | 115VAC           | 0.28/ 0.26A                | 31/ 26W                   | 133/ 169CFM     | 55dB(A)      | 0.84inH <sub>2</sub> O | 8.78"x8.78"          |
| AFF-5010G-120VAC           | AFF-5010B-120VAC            | 115VAC           | 0.68/ 0.73A                | 74/ 83W                   | 306/ 359CFM     | 69dB(A)      | 0.78inH <sub>2</sub> O | 11.46"x11.46"        |

\* 230VAC version available, please contact Altech for availability

## Filter Fans | 24VDC

| Part No.<br>Grey (RAL7035) | Part No.<br>Black (RAL7035) | Rated<br>Voltage | Rated<br>Current | Power<br>Usage | Max.<br>Airflow | Fan<br>Noise | Static<br>Pressure     | Cutout<br>Dimensions |
|----------------------------|-----------------------------|------------------|------------------|----------------|-----------------|--------------|------------------------|----------------------|
| AFF-1010G-24VDC            | AFF-1010B-24VDC             | 24VAC            | 0.09A            | 2W             | 9CFM            | 30dB(A)      | 0.11inH <sub>2</sub> O | 3.62"x3.62"          |
| AFF-1020G-24VDC            | AFF-1020B-24VDC             | 24VAC            | 0.61A            | 15W            | 29CFM           | 59dB(A)      | 0.64inH <sub>2</sub> O | 3.62"x3.62"          |
| AFF-2010G-24VDC            | AFF-2010B-24VDC             | 24VAC            | 0.31A            | 7W             | 27CFM           | 42dB(A)      | 0.23inH <sub>2</sub> O | 4.92"x4.92"          |
| AFF-3010G-24VDC            | AFF-3010B-24VDC             | 24VAC            | 0.34A            | 8W             | 60CFM           | 42dB(A)      | 0.24inH <sub>2</sub> O | 6.97"x6.97"          |
| AFF-4010G-24VDC            | AFF-4010B-24VDC             | 24VAC            | 0.32A            | 8W             | 82CFM           | 42dB(A)      | 0.25inH <sub>2</sub> O | 6.97"x6.97"          |
| AFF-4020G-24VDC            | AFF-4020B-24VDC             | 24VAC            | 0.71A            | 17W            | 132CFM          | 58dB(A)      | 0.26inH <sub>2</sub> O | 8.78"x8.78"          |



# Mechanical Thermostats

The APT Altech Mechanical Panel Thermostats are designed to control the air temperature inside of enclosures and control panels. They can be used for enclosure heaters, cooling equipment (e.g. filter fans), or signal devices.



- Adjustable Temperature Control
- Wide Adjustment Range
- Color Coded Dial (Red: Heating, Blue: Cooling)
- DIN Rail Mountable



The **Heating version** (red dial, NC) has closed contacts when the temperature is below the set point value and opens with rising temperature.

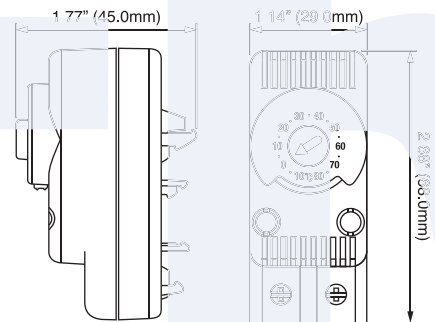
The **Cooling version** (blue dial, NO) has open contacts when the temperature is below the set point value and closes with rising temperature.

## Technical Details

|                             |   |
|-----------------------------|---|
| Rated Voltage               | 110 - 250 VAC   |
| Rated Current               | 10A   |
| Max. Rated Current          | 15A   |
| Hysteresis                  | +/-3K   |
| Differential                | -3°K NC version / +4°K NO version up to 5A / +7°K NC version > 5A |
| Lifetime                    | > 100,000 cycles  |
| Terminal Size Acceptability | 23 - 13 AWG (0.75 - 2.5mm <sup>2</sup> )                          |
| Protection Level            | IP20  |
| Enclosure Material          | PA66, UL94V-0   |
| Weight                      | 1.9oz. (54g)  |

## Mechanical Thermostats

| Part No. | Function | Contact | Temperature Scale | Setting Range |
|----------|----------|---------|-------------------|---------------|
| APT-HNCF | Heating  | NC      | Fahrenheit        | 14 - 176°F    |
| APT-CNOF | Cooling  | NO      | Fahrenheit        | 14 - 176°F    |
| APT-HNCC | Heating  | NC      | Celsius           | -10 - 80°C    |
| APT-CNOC | Cooling  | NO      | Celsius           | -10 - 80°C    |



Thermostat Dimensions

# Lighting Accessories

## Power cable with female connector



| Part No. | Length  | Volt. Type | Color                             |
|----------|---------|------------|-----------------------------------|
| APL-PCAC | 6.5 ft. | AC         | Connector: white;<br>Cable: white |
| APL-PCDC | 6.5 ft. | DC         | Connector: blue;<br>Cable: white  |

## Extension cable with 2 connectors for daisy chain



| Part No. | Length  | Volt. Type | Color                             |
|----------|---------|------------|-----------------------------------|
| APL-ECAC | 3.3 ft. | AC         | Connector: white;<br>Cable: white |
| APL-ECDC | 3.3 ft. | DC         | Connector: blue;<br>Cable: white  |

## Female / Male Connectors



| Part No. | Connector Type | Volt. Type | Color |
|----------|----------------|------------|-------|
| APL-FAC  | Female         | AC         | White |
| APL-MAC  | Male           | AC         | White |
| APL-FDC  | Female         | DC         | Blue  |
| APL-MDC  | Male           | DC         | Blue  |

## Door Limit Switch



| Part No. | Contact                           | Voltage Rating |
|----------|-----------------------------------|----------------|
| APL-DS   | NO / NC                           | 24-250 VAC/DC  |
| APL-SL   | Slide limit switch (Bar mounting) |                |

# Filter Fan Accessories

## Replacement Filter Mats



- Made of washable non-woven synthetic fibers
- Can be cleaned up to 10 times by washing or blowing dry
- Black or Grey Housing Color
- NEMA 12 or NEMA 3R Filter Class available
- Sold in kits of 6pcs

| Part No. | Filter Rating | Used with Filter Fan | Used with Exhaust Grill | Dimensions  |
|----------|---------------|----------------------|-------------------------|-------------|
| AFM-1012 | NEMA12        | AFF-10xx             | AEG-1000                | 3.3"x3.3"   |
| AFM-2012 | NEMA12        | AFF-20xx             | AEG-2000                | 4.6"x4.6"   |
| AFM-3012 | NEMA12        | AFF-30xx             | AEG-3000                | 6.6"x6.6"   |
| AFM-4012 | NEMA12        | AFF-40xx             | AEG-4000                | 8.5"x8.5"   |
| AFM-5012 | NEMA12        | AFF-50xx             | AEG-5000                | 11.1"x11.1" |



### Altech Search

- Home
- Stock Check
- Distributors
- Information
- News
- Contact
- Rep/Disti Login
- Altech Mexico

### WEB TOOLS

- Product Crossings
- Request for Quote
- Sample Request
- Catalog Request

### PRODUCT MENU

- Circuit Protection / Control
- Connectors
- Enclosures
- European Spare Parts
- Digital Panel Meters
- Foot Switches
- Interface Modules
- Power Supplies
- Power Semi-Conductors
- Programmable Controllers
- Push Buttons & Pilot Lights
- Relays
- Sensors
- Terminal Blocks
- Tower Lights
- Timers
- Wire & Cable Management
- Home

### New Products and Promotions

## Serving the Automation & Control Industry Since 1984

### Circuit Protection

|  |   |  |   |  |
|--|---|--|---|--|
|  Circuit Protection Devices |  Busbar and Power Distribution |  Contactors, Overload Relays, Manual Motor Starters |  Motor Disconnect Switches |  European Fuses |
|--|---|--|---|--|

### Connectors

|   |  |   |   |   |
|---|--|---|---|---|
|  Industrial Rectangular Connectors |  Pin & Sleeve Devices |  Receptacles |  Foot Switches |  Inductive Proximity Sensors |
|---|--|---|---|---|

### Enclosures

|   |  |   |   |   |
|---|--|---|---|---|
|  Industrial Enclosures |  DIN Enclosures |  Interface Modules |  Safety Relays |  Slimline Relays |
|---|--|---|---|---|

### Modules & Relays

### Power Supplies

|  |   |  |   |
|--|---|--|---|
|  Power Supplies |  22 & 30 mm Push Buttons |  DIN Rail |  Wire & Cable Management |
|--|---|--|---|

### Push Buttons

### DIN Rail

### Wire & Cable Management

### Terminal Blocks

|  |   |   |   |   |
|--|---|---|---|---|
|  Din Rail Terminal Blocks |  Panel Mount Terminal Blocks |  Printed Circuit Board Terminal Blocks |  Eurostrips® |  Distribution Blocks |
|--|---|---|---|---|

### Miscellaneous

|  |   |   |  |  |
|--|---|---|--|--|
|  Ferrules |  Custom Assembly |  Marking & Engraving Systems |  Altech Smart Relay |  Tower Lights |
|--|---|---|--|--|

Altech Corporation  
35 Royal Road  
Flemington, NJ 08822-6000  
P 908.806.9400 • F 908.806.9490  
www.altechcorp.com



## Данный компонент на территории Российской Федерации

### Вы можете приобрести в компании MosChip.

Для оперативного оформления запроса Вам необходимо перейти по данной ссылке:

<http://moschip.ru/get-element>

Вы можете разместить у нас заказ для любого Вашего проекта, будь то серийное производство или разработка единичного прибора.

В нашем ассортименте представлены ведущие мировые производители активных и пассивных электронных компонентов.

Нашей специализацией является поставка электронной компонентной базы двойного назначения, продукции таких производителей как XILINX, Intel (ex.ALTERA), Vicor, Microchip, Texas Instruments, Analog Devices, Mini-Circuits, Amphenol, Glenair.

Сотрудничество с глобальными дистрибьюторами электронных компонентов, предоставляет возможность заказывать и получать с международных складов практически любой перечень компонентов в оптимальные для Вас сроки.

На всех этапах разработки и производства наши партнеры могут получить квалифицированную поддержку опытных инженеров.

Система менеджмента качества компании отвечает требованиям в соответствии с ГОСТ Р ИСО 9001, ГОСТ РВ 0015-002 и ЭС РД 009

### Офис по работе с юридическими лицами:

105318, г.Москва, ул.Щербаковская д.3, офис 1107, 1118, ДЦ «Щербаковский»

Телефон: +7 495 668-12-70 (многоканальный)

Факс: +7 495 668-12-70 (доб.304)

E-mail: [info@moschip.ru](mailto:info@moschip.ru)

Skype отдела продаж:

moschip.ru

moschip.ru\_4

moschip.ru\_6

moschip.ru\_9