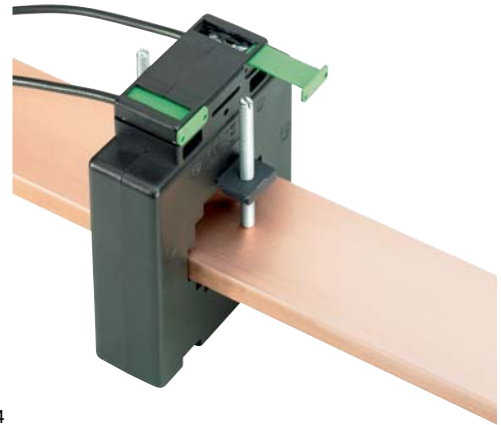


PACT Analog

Current transformers



INTERFACE

Data sheet
103359_en_03

© PHOENIX CONTACT 2011-04-04

1 Description

The **PACT Analog** current transformers form a complete range of bus-bar, plug-in and winding current transformers for measuring AC currents with a range of 1 A to 4000 A.

Current transformers belong to a group of specialized transformers and are used in those areas where currents cannot be measured directly. Depending on the transformation ratio, the primary current is transmitted to a smaller electrically isolated secondary current.

PACT Analog current transformers can be used either as an industrial version or as a transformer that can be officially calibrated.



The calibration process involves additional costs, which are specified in accordance with the national table of fees.

1.1 Features

- Safe isolation as a result of the test voltage of 12 kV (1.2/50 μ s) prevents a hazardous operating voltage from being transferred to downstream components
- Conforms to surge voltage category 3 as a result of the test voltage amplitude
- Routine test according to EN 50178



Also refer to additional information on "Safe isolation"; see page 28.

PACT Analog current transformers are available in the following designs:

- Winding current transformer (I_{pn} : 1 A to 40 A)
- Bus-bar current transformer (I_{pn} : 50 A to 500 A)
- Plug-in current transformer (I_{pn} : 50 A to 4000 A)



WARNING: Danger due to damaged current transformers

- Before startup, check that the housing of the current transformer is not damaged.
- Also before startup, check that there are no electrically conductive connections between the primary conductor and the secondary terminals.
- If a built-in current transformer is removed in order to be used in a different system, check the current transformer for damage again.



WARNING: Danger due to voltage at open circuit

The output of the current transformer is a constant current source. In the event of an increasing load, the output voltage thus increases and reaches its maximum at infinite load (i.e., with open secondary terminals).

- Avoid open-circuit operation at all costs.
- Note that unloaded transformers must be short circuited.
- Only start up the current transformer once the secondary cables are connected on both sides.

2 Table of contents

1	Description.....	1
1.1	Features	1
2	Table of contents	2
3	Ordering data.....	3
3.1	Current transformers that cannot be calibrated	4
3.2	Current transformers that can be calibrated	16
3.3	Standard accessories, supplied as standard.....	21
3.4	Optional accessories.....	21
4	Technical data	22
5	Safety notes.....	23
6	Selecting the optimum transformer	24
7	Installation and connection	24
7.1	Installing a current transformer	25
7.2	Connecting a current transformer	27
8	Calibrating the current transformers.....	27
9	Safe isolation	28
9.1	Application example with safe isolation up to 1 kV	28

3 Ordering data



Make sure you always use the latest documentation.
It can be downloaded at www.phoenixcontact.net/catalog.

Explanation of the type designation by means of an example

PACT MCR-V2C-3015-60

V1 = Bus-bar current transformer (for assembly with circular conductors)

V2 = Plug-in current transformer (for direct or horizontal assembly on power rails)

V3 = Winding current transformer

C = Transformer that can be calibrated

30 = Maximum width of the power rail in mm

15 = Maximum height of the power rail in mm

60 = Width of the current transformer in mm

Information on the type entry in the order key

Type	Primary current I_{pn}	Secondary current I_{sn}	Class	Power ()	Order No.
PACT MCR-V2-3015-60	80	5 A	1	2.5 VA	2277268



For some of the current transformers listed in the following tables, popular types are available from stock. These have their own order Nos. and are labeled separately.

For all other types, please complete the order key using the respective selection table.

3.1 Current transformers that cannot be calibrated

Bus-bar current transformers with a primary current of 50 A to 500 A, for circular conductors

Description	Type	Order No.	Pcs. / Pkt.
Bus-bar current transformer with a primary current of 50 A to 500 A, for circular conductors	PACT MCR-V1-21-44-...	2277268	1
Transformation ratio 50 A:5 A; 1.25 VA	PACT MCR-V1-21-44-50-5A-1	2277019	1
Transformation ratio 75 A:5 A; 2.5 VA	PACT MCR-V1-21-44-75-5A-1	2277611	1
Transformation ratio 100 A:5 A; 2.5 VA	PACT MCR-V1-21-44-100-5A-1	2277022	1
Transformation ratio 125 A:5 A; 3.75 VA	PACT MCR-V1-21-44-125-5A-1	2277763	1
Transformation ratio 150 A:5 A; 5 VA	PACT MCR-V1-21-44-150-5A-1	2277035	1
Transformation ratio 200 A:5 A; 5 VA	PACT MCR-V1-21-44-200-5A-1	2277776	1
Transformation ratio 250 A:5 A; 5 VA	PACT MCR-V1-21-44-250-5A-1	2277048	1
Transformation ratio 300 A:5 A; 10 VA	PACT MCR-V1-21-44-300-5A-1	2277789	1
Transformation ratio 400 A:5 A; 5 VA	PACT MCR-V1-21-44-400-5A-1	2277051	1
Transformation ratio 500 A:5 A; 10 VA	PACT MCR-V1-21-44-500-5A-1	2277792	1

Selection table

Primary rated current strength I_{pn}															
I_{sn}	Cl.	50	60	75	80	100	125	150	200	250	300	400	500	Rated power S_n [VA]	
1 A	0.5					1.25	2.5	2.5	2.5	2.5	2.5	2.5	2.5		
								3.75	5	5	5	5	5		
	1		1.25	1.25	2.5	2.5	2.5	2.5	2.5	2.5	2.5	2.5	2.5		
									3.75	5	5	5	5		5
5 A	0.5					1.25	1.25	1.25	2.5	2.5	2.5	2.5	2.5		
						1.5	2.0	2.5	3.75	5	5	5	5		
	1	1.25	1.25	2.5	2.5	2.5	2.5	2.5	2.5	2.5	2.5	2.5	2.5		
			1.5				2.5	2.5	2.5	2.5	5	5	5		5
								7.5	7.5	10	7.5	10			

Plug-in current transformers with a primary current of 50 A to 750 A, for rails and circular conductors

Description	Type	Order No.	Pcs. / Pkt.
Plug-in current transformer with a primary current of 50 A to 750 A, for rails and circular conductors	PACT MCR-V2-3015-60-...	2277271	1
Transformation ratio 60 A:5 A; 1.25 VA	PACT MCR-V2-3015-60-60-5A-1	2277815	1
Transformation ratio 75 A:5 A; 1.25 VA	PACT MCR-V2-3015-60-75-5A-1	2277828	1
Transformation ratio 75 A:5 A; 1.5 VA	PACT MCR-V2-3015-60-75-5A-1	2276502	1
Transformation ratio 80 A:5 A; 1.25 VA	PACT MCR-V2-3015-60-80-5A-1	2277831	1
Transformation ratio 100 A:5 A; 2.5 VA	PACT MCR-V2-3015-60-100-5A-1	2277064	1
Transformation ratio 125 A:5 A; 3.75 VA	PACT MCR-V2-3015-60-125-5A-1	2277624	1
Transformation ratio 150 A:5 A; 3.75 VA	PACT MCR-V2-3015-60-150-5A-1	2277844	1
Transformation ratio 150 A:5 A; 5 VA	PACT MCR-V2-3015-60-150-5A-1	2277077	1
Transformation ratio 200 A:5 A; 5 VA	PACT MCR-V2-3015-60-200-5A-1	2277637	1
Transformation ratio 200 A:5 A; 7.5 VA	PACT MCR-V2-3015-60-200-5A-1	2277857	1
Transformation ratio 250 A:5 A; 5 VA	PACT MCR-V2-3015-60-250-5A-1	2276544	1
Transformation ratio 250 A:5 A; 7.5 VA	PACT MCR-V2-3015-60-250-5A-1	2277860	1
Transformation ratio 250 A:5 A; 10 VA	PACT MCR-V2-3015-60-250-5A-1	2277080	1
Transformation ratio 300 A:5 A; 7.5 VA	PACT MCR-V2-3015-60-300-5A-1	2277640	1
Transformation ratio 400 A:5 A; 10 VA	PACT MCR-V2-3015-60-400-5A-1	2277093	1
Transformation ratio 500 A:5 A; 10 VA	PACT MCR-V2-3015-60-500-5A-1	2277653	1
Transformation ratio 600 A:5 A; 10 VA	PACT MCR-V2-3015-60-600-5A-1	2277103	1
Transformation ratio 750 A:5 A; 10 VA	PACT MCR-V2-3015-60-750-5A-1	2277666	1

Selection table

Primary rated current strength I _{pn}																
I _{sn}	Cl.	50	60	75	80	100	125	150	200	250	300	400	500	600	750	
1 A	0.5					1.25	1.25	2.5	2.5	2.5	2.5	2.5	2.5	2.5	2.5	
										3.75	5	5	5	5	5	5
												7.5	10	10	10	10
	1		1.25	1.25	2.5	2.5	2.5	2.5	2.5	2.5	2.5	2.5	2.5	2.5	2.5	5
								3.75	5	5	5	5	5	5	5	10
											7.5	10	10	10	10	10
5 A	0.5								2.5	2.5	2.5	2.5	2.5	2.5	2.5	
										3.75	5	5	5	5	5	5
												7.5	10	10	10	10
	1		1.25	1.25	1.25	2.5	2.5	2.5	2.5	2.5	2.5	2.5	2.5	2.5	2.5	2.5
				1.5	2		3.75	3.75	5	5	5	5	5	5	5	5
								5	7.5	7.5	7.5	10	10	10	10	10
									10	10	15				15	

Rated power S_n [VA]

Plug-in current transformers with a primary current of 75 A to 1000 A, for rails

Description	Type	Order No.	Pcs. / Pkt.
Plug-in current transformer with a primary current of 75 A to 1000 A, for rails	PACT MCR-V2-4012-70-...	2277284	1
Transformation ratio 250 A:5 A; 5 VA	PACT MCR-V2-4012-70-250-5A-1	2277116	1
Transformation ratio 300 A:5 A; 7.5 VA	PACT MCR-V2-4012-70-300-5A-1	2277679	1
Transformation ratio 400 A:5 A; 7.5 VA	PACT MCR-V2-4012-70-400-5A-1	2277129	1
Transformation ratio 500 A:5 A; 10 VA	PACT MCR-V2-4012-70-500-5A-1	2277682	1
Transformation ratio 600 A:5 A; 10 VA	PACT MCR-V2-4012-70-600-5A-1	2277132	1
Transformation ratio 750 A:5 A; 10 VA	PACT MCR-V2-4012-70-750-5A-1	2277695	1
Transformation ratio 800 A:5 A; 10 VA	PACT MCR-V2-4012-70-800-5A-1	2277145	1
Transformation ratio 1000 A:5 A; 10 VA	PACT MCR-V2-4012-70-1000-5A-1	2277158	1

Selection table

Primary rated current strength I_{pn}																	Rated power S_n [VA]		
I_{sn}	Cl.	50	60	75	80	100	125	150	200	250	300	400	500	600	750	800		1000	
1 A	0.5						1.25	2.5	2.5	2.5	2.5	2.5	2.5	2.5	2.5	2.5	2.5	2.5	
									3.75	5	5	5	5	5	5	5	5	5	
												7.5	10	10	10	10	10	10	
	1				1.25	1.25	2.5	2.5	2.5	2.5	2.5	2.5	2.5	2.5	2.5	2.5	2.5	2.5	2.5
								3.75	5	5	5	5	5	5	5	5	5	5	5
										7.5	7.5	7.5	10	10	10	10	10	10	10
5 A	0.5						1.25	2.5	2.5	2.5	2.5	2.5	2.5	2.5	2.5	2.5	2.5	2.5	
									3.75	5	5	5	5	5	5	5	5	5	
												7.5	10	10	10	10	10	10	
	1				1.25	1.25	2.5	2.5	2.5	2.5	2.5	2.5	2.5	2.5	2.5	2.5	2.5	2.5	2.5
								3.75	5	5	5	5	5	5	5	5	5	5	5
										7.5	7.5	7.5	10	10	10	10	10	10	10

Plug-in current transformers with a primary current of 100 A to 1500 A, for rails and circular conductors

Description	Type	Order No.	Pcs. / Pkt.
Plug-in current transformer with a primary current of 100 A to 1500 A, for rails and circular conductors	PACT MCR-V2-5012-85-...	2277297	1
Transformation ratio 150 A:5 A; 3.75 VA	PACT MCR-V2-5012-85-150-5A-1	2276117	1
Transformation ratio 200 A:5 A; 5 VA	PACT MCR-V2-5012-85-200-5A-1	2276120	1
Transformation ratio 250 A:5 A; 7.5 VA	PACT MCR-V2-5012-85-250-5A-1	2276133	1
Transformation ratio 300 A:5 A; 10 VA	PACT MCR-V2-5012-85-300-5A-1	2276146	1
Transformation ratio 400 A:5 A; 10 VA	PACT MCR-V2-5012-85-400-5A-1	2277161	1
Transformation ratio 500 A:5 A; 15 VA	PACT MCR-V2-5012-85-500-5A-1	2276159	1
Transformation ratio 600 A:5 A; 10 VA	PACT MCR-V2-5012-85-600-5A-1	2277174	1
Transformation ratio 600 A:5 A; 15 VA	PACT MCR-V2-5012-85-600-5A-1	2276162	1
Transformation ratio 750 A:5 A; 10 VA	PACT MCR-V2-5012-85-750-5A-1	2276175	1
Transformation ratio 800 A:5 A; 10 VA	PACT MCR-V2-5012-85-800-5A-1	2277187	1
Transformation ratio 1000 A:5 A; 10 VA	PACT MCR-V2-5012-85-1000-5A-1	2276463	1
Transformation ratio 1000 A:5 A; 15 VA	PACT MCR-V2-5012-85-1000-5A-1	2277190	1
Transformation ratio 1250 A:5 A; 15 VA	PACT MCR-V2-5012-85-1250-5A-1	2277200	1
Transformation ratio 1500 A:5 A; 15 VA	PACT MCR-V2-5012-85-1500-5A-1	2276188	1

Selection table

Primary rated current strength I_{pn}																	
I_{sn}	Cl.	100	125	150	200	250	300	400	500	600	750	800	1000	1250	1500		
1 A	0.5			1.25	2.5	2.5	2.5	2.5	2.5	2.5	2.5	2.5	2.5	2.5	2.5		
					5	5	5	5	5	5	5	5	5	5	5		
	1						7.5	10	10	10	10	10	10	10	10		
								15	15	15			15	15	15		
5 A	0.5	1.25	2.5	2.5	2.5	2.5	2.5	2.5	2.5	2.5	2.5	2.5	5	5	5		
				3.75	5	5	5	5	5	5	5	5	5	10	10	10	
	1				7.5	7.5	10	10	10	10	10	10	10	15	15	15	
							10		15	20	20		15	20	20	30	
5 A	0.5			1.25	2.5	2.5	2.5	2.5	2.5	2.5	2.5	2.5	2.5	2.5	2.5		
					5	5	5	5	5	5	5	5	5	5	5		
	1						7.5	10	10	20	10	10	10	10	10		
								15	15	15			15	15	15		
1	1.25	2.5	2.5	2.5	2.5	2.5	2.5	2.5	5	5	2.5	2.5	5	5	5		
			3.75	5	5	5	5	10	10	5	5	10	10	10	10		
			7.5	7.5	10	10	10	15	15	10	10	15	15	15			
					10		15	20	20			15	20	20	20		

Rated power S_r [VA]

Plug-in current transformers with a primary current of 200 A to 1600 A, for rails and circular conductors

Description	Type	Order No.	Pcs. / Pkt.
Plug-in current transformer with a primary current of 200 A to 1600 A, for rails and circular conductors	PACT MCR-V2-6015-85-...	2277336	1
Transformation ratio 200 A:5 A; 2.5 VA	PACT MCR-V2-6015-85-200-5A-1	2277873	1
Transformation ratio 250 A:5A; 2.5 VA	PACT MCR-V2-6015-85-250-5A-1	2277886	1
Transformation ratio 300 A:5 A; 2.5 VA	PACT MCR-V2-6015-85-300-5A-1	2277899	1
Transformation ratio 400 A:5 A; 2.5 VA	PACT MCR-V2-6015-85-400-5A-1	2277909	1
Transformation ratio 500 A:5 A; 5 VA	PACT MCR-V2-6015-85-500-5A-1	2277912	1
Transformation ratio 600 A:5 A; 10 VA	PACT MCR-V2-6015-85-600-5A-1	2277925	1
Transformation ratio 750 A:5 A; 10 VA	PACT MCR-V2-6015-85-750-5A-1	2277938	1
Transformation ratio 800 A:5 A; 10 VA	PACT MCR-V2-6015-85-800-5A-1	2277941	1
Transformation ratio 1000 A:5 A; 15 VA	PACT MCR-V2-6015-85-1000-5A-1	2277954	1
Transformation ratio 1250 A:5 A; 15 VA	PACT MCR-V2-6015-85-1250-5A-1	2277967	1
Transformation ratio 1500 A:5 A; 15 VA	PACT MCR-V2-6015-85-1500-5A-1	2277970	1
Transformation ratio 1600 A:5 A; 15 VA	PACT MCR-V2-6015-85-1600-5A-1	2277983	1

Selection table

Primary rated current strength I_{pn}																		
I_{sn}	Cl.	100	125	150	200	250	300	400	500	600	750	800	1000	1250	1500	1600	Rated power S_n [VA]	
1 A	0.5					1.25	1.25	1.25	2.5	2.5	2.5	2.5	2.5	2.5	2.5			
	1				2.5	2.5	2.5	2.5	2.5	2.5	2.5	2.5	2.5	2.5	2.5			
5 A	0.5					1.25	1.25	1.25	2.5	2.5	2.5	2.5	2.5	5	5	5		
	1				2.5	2.5	2.5	2.5	2.5	2.5	2.5	2.5	2.5	5	5	5		
									5	5	5	5	10	10	10			
										10	10	10	10	15	15	15		
					2.5	2.5	2.5	2.5	2.5	2.5	2.5	2.5	5	5	5	5		
									5	5	5	5	10	10	10	10		
										10	10	10	15	15	15	15		
											15	15	15	20	30			

Plug-in current transformers with a primary current of 200 A to 2500 A, for rails and circular conductors

Description	Type	Order No.	Pcs. / Pkt.
Plug-in current transformer with a primary current of 200 A to 2500 A, for rails and circular conductors	PACT MCR-V2-6315-95-...	2277307	1
Transformation ratio 600 A:5 A; 10 VA	PACT MCR-V2-6315-95-600-5A-1	2276191	1
Transformation ratio 750 A:5 A; 10 VA	PACT MCR-V2-6315-95-750-5A-1	2276201	1
Transformation ratio 800 A:5 A; 10 VA	PACT MCR-V2-6315-95-800-5A-1	2277213	1
Transformation ratio 1000 A:5 A; 10 VA	PACT MCR-V2-6315-95-1000-5A-1	2277226	1
Transformation ratio 1250 A:5 A; 10 VA	PACT MCR-V2-6315-95-1250-5A-1	2277239	1
Transformation ratio 1500 A:5 A; 10 VA	PACT MCR-V2-6315-95-1500-5A-1	2277242	1
Transformation ratio 1600 A:5 A; 10 VA	PACT MCR-V2-6315-95-1600-5A-1	2277255	1
Transformation ratio 2000 A:5 A; 15 VA	PACT MCR-V2-6315-95-2000-5A-1	2276243	1

Selection table

		Primary rated current strength I_{pn}														Rated power S_n [VA]	
I_{sn}	Cl.	200	250	300	400	500	600	750	800	1000	1250	1500	1600	2000	2500		
	1 A	0.5	2.5	2.5	2.5	2.5	2.5	2.5	5	5	5	5	5	5	5		
					5	5	5	5	10	10	10	10	10	10	10		
						7.5	10	10	15	15			15	15	15		
1		2.5	2.5	2.5	2.5	2.5	2.5	5	5	5	5	5	5	5	10		
		3.75	5	5	5	5	5	10	10	10	10	10	10	10	15		
				7.5	10	10	10	15	15				15	15	20		
5 A	0.5	2.5	2.5	2.5	2.5	2.5	2.5	5	5	5	5	5	5	5	5		
			3.75	5	5	5	5	10	10	10	10	10	10	10	10	10	
				7.5	10	10	10	15	15	15	15	15	15	15	15	15	
	1					15	15	20	20	30	20	30	30	30	30	30	
		2.5	2.5	2.5	2.5	5	5	5	5	10	5	5	10	10	10	10	
		3.75	5	5	5	10	10	10	10	15	10	10	10	15	15	15	
		10	10	15	15	15	15	30	15	15	15	30	30	30			
				15	20	20	30	30			30	30	45				

Plug-in current transformers with a primary current of 200 A to 2000 A, for rails and circular conductors

Description	Type	Order No.	Pcs. / Pkt.
Plug-in current transformer with a primary current of 200 A to 2000 A, for rails and circular conductors	PACT MCR-V2-6040-96-...	2277349	1
Transformation ratio 600 A:5 A; 10 VA	PACT MCR-V2-6040-96-600-5A-1	2276191	1
Transformation ratio 750 A:5 A; 10 VA	PACT MCR-V2-6040-96-750-5A-1	2276201	1
Transformation ratio 800 A:5 A; 10 VA	PACT MCR-V2-6040-96-800-5A-1	2276214	1
Transformation ratio 1000 A:5 A; 10 VA	PACT MCR-V2-6040-96-1000-5A-1	2277705	1
Transformation ratio 1250 A:5 A; 15 VA	PACT MCR-V2-6040-96-1250-5A-1	2276227	1
Transformation ratio 1500 A:5 A; 10 VA	PACT MCR-V2-6040-96-1500-5A-1	2277718	1
Transformation ratio 1600 A:5 A; 15 VA	PACT MCR-V2-6040-96-1600-5A-1	2276230	1
Transformation ratio 2000 A:5 A; 15 VA	PACT MCR-V2-6040-96-2000-5A-1	2276243	1

Selection table

Primary rated current strength I_{pn}															
I_{sn}	Cl.	200	250	300	400	500	600	750	800	1000	1250	1500	1600	2000	
1 A	0.5		2.5	2.5	2.5	2.5	2.5	2.5	2.5	2.5	2.5	2.5			
					5	5	5	5	5	5	5	5			
	1		2.5	2.5	2.5	2.5	2.5	2.5	2.5	2.5	2.5	2.5	2.5		
			3.75	5	5	5	5	5	5	5	5	5	5		
5 A	0.5		2.5	2.5	2.5	2.5	2.5	2.5	2.5	2.5	2.5	2.5	2.5	5	
					5	5	5	5	5	5	5	5	5	10	
	1		2.5	2.5	2.5	2.5	2.5	2.5	2.5	2.5	5	2.5	5	5	
			3.75	3.75	5	5	5	5	5	5	10	5	10	10	
15															

Rated power S_n [VA]

Plug-in current transformers with a primary current of 400 A to 2500 A, for rails and circular conductors

Description	Type	Order No.	Pcs. / Pkt.
Plug-in current transformer with a primary current of 400 A to 2500 A, for rails and circular conductors	PACT MCR-V2-8015-105-...	2277352	1
Transformation ratio 400 A:5 A; 7.5 VA	PACT MCR-V2-8015-105-400-5A-1	2276256	1
Transformation ratio 500 A:5 A; 10 VA	PACT MCR-V2-8015-105-500-5A-1	2276269	1
Transformation ratio 600 A:5 A; 10 VA	PACT MCR-V2-8015-105-600-5A-1	2276272	1
Transformation ratio 750 A:5 A; 10 VA	PACT MCR-V2-8015-105-750-5A-1	2276285	1
Transformation ratio 800 A:5 A; 15 VA	PACT MCR-V2-8015-105-800-5A-1	2276298	1
Transformation ratio 1000 A:5 A; 10 VA	PACT MCR-V2-8015-105-1000-5A-1	2277721	1
Transformation ratio 1000 A:5 A; 15 VA	PACT MCR-V2-8015-105-1000-5A-1	2276308	1
Transformation ratio 1250 A:5 A; 10 VA	PACT MCR-V2-8015-105-1250-5A-1	2276311	1
Transformation ratio 1500 A:5 A; 15 VA	PACT MCR-V2-8015-105-1500-5A-1	2277734	1
Transformation ratio 1600 A:5 A; 15 VA	PACT MCR-V2-8015-105-1600-5A-1	2276324	1
Transformation ratio 2000 A:5 A; 20 VA	PACT MCR-V2-8015-105-2000-5A-1	2276337	1
Transformation ratio 2500 A:5 A; 20 VA	PACT MCR-V2-8015-105-2500-5A-1	2276340	1

Selection table

Primary rated current strength I_{pn}														
I_{sn}	Cl.	400	500	600	750	800	1000	1250	1500	1600	2000	2500		
1 A	0.5	2.5	2.5	2.5	2.5	2.5	2.5	2.5	2.5	2.5	5			
			5	5	5	5	5	5	5	5	10			
				10		10	7.5	10	10	10	15			
	1								15	15	20			
		2.5	2.5	2.5	2.5	2.5	2.5	2.5	5	5	10			
		5	5	5	5	5	5	5	10	10	15			
5 A	0.5	7.5	10	10	10	10	10	15	15	20				
							15	15	20	20	25			
	1	2.5	2.5	2.5	2.5	2.5	5	2.5	2.5	2.5	2.5	5		
		5	5	5	5	5	10	5	5	5	5	10		
				10	10	10	15	10	10	10	10	15		
				15	15	20			15	15	20			
1	2.5	2.5	2.5	2.5	5	5	2.5	2.5	5	5	10	10	15	
	5	5	5	5	10	10	5	5	10	10	15	15	20	
	7.5	10	10	10	15	15	10	10	15	15	20	20	30	
				15	20			15		20	30			

Rated power S_n [VA]

Plug-in current transformers with a primary current of 500 A to 2000 A, for rails and circular conductors

Description	Type	Order No.	Pcs. / Pkt.
Plug-in current transformer with a primary current of 500 A to 2000 A, for rails and circular conductors	PACT MCR-V2-8020-105-...	2277365	1
Transformation ratio 1000 A:5 A; 10 VA	PACT MCR-V2-8020-105-1000-5A-1	2277747	1
Transformation ratio 1500 A:5 A; 15 VA	PACT MCR-V2-8020-105-1500-5A-1	2277750	1
Transformation ratio 2000 A:5 A; 10 VA	PACT MCR-V2-8020-105-2000-5A-1	2276382	1

Selection table

Primary rated current strength I_{pn}												
I_{sn}	Cl.	500	600	750	800	1000	1250	1500	1600	2000		
1 A	0.5	2.5	2.5	2.5	2.5	2.5	2.5	2.5	2.5			
			5	5	5	5		5	5			
						10						
	1	2.5	2.5	2.5	2.5	2.5	2.5	2.5	2.5			
		5	5	5	5	5	5	5	5			
			7.5	7.5	7.5	10						
5 A	0.5	2.5	2.5	2.5	2.5	2.5	2.5	2.5	2.5	2.5		
		5	5	5	5	5	5	5	5	5		
			7.5	7.5	7.5	10	10	10	10	10		
	1					15						
		2.5	2.5	2.5	2.5	2.5	5	2.5	5	5		
		5	5	5	5	5	10	5	10	10	10	
	7.5	7.5	10	10	10	10	15					

Rated power S_n [VA]

Plug-in current transformers with a primary current of 400 A to 4000 A, for rails and circular conductors

Description	Type	Order No.	Pcs. / Pkt.
Plug-in current transformer with a primary current of 400 A to 4000 A, for rails and circular conductors	PACT MCR-V2-10020-129-...	2277378	1
Transformation ratio 2500 A:5 A; 15 VA	PACT MCR-V2-10020-129-2500-5A-1	2276395	1

Selection table

Primary rated current strength I_{pn}																
I_{sn}	Cl.	400	500	600	750	800	1000	1250	1500	1600	2000	2500	3000	4000	Rated power S_n [VA]	
1 A	0.5		2.5	5	5	5	5	5	5	5	5	5	5			
			5	10	10	10	10	10	10	10	10	10	10	10		
									15	15	15	15	15	15		
	1		2.5	2.5	5	5	5	5	5	5	5	5	5	5		
			5	5	10	10	10	10	10	10	10	10	10	10		
									15	15	15	15	15	15		
5 A	0.5		2.5	5	5	5	5	5	5	5	5	5	5	5		
			5	5	10	10	10	10	10	10	10	10	10	10		
									15	15	15	15	15	15		
	1		2.5	2.5	5	5	5	5	5	5	5	5	5	5		
			5	5	10	10	10	10	10	10	10	10	10	10		
									15	15	15	15	15	15		
											25	30				

Plug-in current transformers with a primary current of 400 A to 4000 A, for rails

Description	Type	Order No.	Pcs. / Pkt.
Plug-in current transformer with a primary current of 400 A to 4000 A, for rails	PACT MCR-V2-10036-129-...	2277381	1
Transformation ratio 3000 A:5 A; 15 VA	PACT MCR-V2-10036-129-3000-5A-1	2276405	1

Selection table

Primary rated current strength I_{pn}																
I_{sn}	Cl.	400	500	600	750	800	1000	1250	1500	1600	2000	2500	3000	4000	Rated power S_n [VA]	
1 A	0.5		2.5	5	5	5	5	5	5	5	5	5	5			
			5	10	10	10	10	10	10	10	10	10	10	10		
									15	15	15	15	15	15		
	1		2.5	2.5	5	5	5	5	5	5	5	5	5	5		
			5	5	10	10	10	10	10	10	10	10	10	10		
									15	15	15	15	15	15		
											25	30				
5 A	0.5		2.5	2.5	5	5	5	5	5	5	5	5	5	5		
			5	5	10	10	10	10	10	10	10	10	10	10		
									15	15	15	15	15	15		
	1		2.5	2.5	5	5	5	5	5	5	5	5	5	5		
			5	5	10	10	10	10	10	10	10	10	10	10		
									15	15	15	15	15	15		
											20	25	30	30		

Plug-in current transformers with a primary current of 400 A to 4000 A, for rails and circular conductors

Description	Type	Order No.	Pcs. / Pkt.
Plug-in current transformer with a primary current of 400 A to 4000 A, for rails and circular conductors	PACT MCR-V2-12020-159-...	2277394	1

Selection table

Primary rated current strength I_{pn}																	
I_{sn}	Cl.	400	500	600	750	800	1000	1250	1500	1600	2000	2500	3000	4000	Rated power S_n [VA]		
1 A	0.5	2.5	2.5	2.5	2.5	2.5	2.5	5	5	5	5	5	5	10			
		5	5	5	5	5	5	10	10	10	10	10	10	15			
		10	10	10	10	10	10	15	15	15	15	15	15	30			
	1							15	20	30	30	30	30	30		45	
		2.5	5	5	2.5	2.5	5	5	5	5	5	5	5	10		10	
		5	10	10	5	5	10	10	10	10	10	10	10	15		15	
5 A	0.5	10	15	15	10	10	15	15	15	15	15	15	30	30			
		15	20	20			15	20	30	30	30	30	30	45		45	
		2.5	2.5	2.5	2.5	2.5	5	5	10	5	5	5	5	10		10	
	1	5	5	5	10	10	10	10	10	10	10	10	10	10		10	
		10	10	10	10	10	15	15	30	15	15	15	15	30		30	
					15	15	30	30	45	30	30	30	30	45		45	

Plug-in current transformers with a primary current of 400 A to 4000 A, for rails

Description	Type	Order No.	Pcs. / Pkt.
Plug-in current transformer with a primary current of 400 A to 4000 A, for rails	PACT MCR-V2-12040-159-...	2277404	1
Transformation ratio 4000 A:5 A; 15 VA	PACT MCR-V2-12040-159-4000-5A-1	2276418	1

Selection table

Primary rated current strength I_{pn}																	
I_{sn}	Cl.	400	500	600	750	800	1000	1250	1500	1600	2000	2500	3000	4000	Rated power S_n [VA]		
1 A	0.5	2.5	2.5	2.5	2.5	2.5	2.5	5	5	5	5	5	5	10			
		5	5	5	5	5	5	10	10	10	10	10	10	15			
								10	15	15	15	15	15	15		30	
	1	2.5	5	5	2.5	2.5	5	5	5	5	5	5	5	10		10	
		5	10	10	5	5	10	10	10	10	10	10	10	15		15	
		10	15	15		10	15	15	15	15	15	15	15	30		30	
5 A	0.5	2.5	2.5	2.5	2.5	2.5	5	5	10	5	5	5	10	10			
		5	5	5	5	5	10	10	15	10	10	10	15	15			
					10	10	15	15	30	15	15	15	15	30		30	
	1	2.5	5	5	5	5	5	5	10	5	5	5	10	10			
		5	10	10	10	10	10	10	15	10	10	10	15	15		15	
		10	15	15	15	15	15	15	30	15	15	15	30	30		30	

Winding current transformers with a primary current of 1 A to 40 A

Description	Type	Order No.	Pcs. / Pkt.
Winding current transformer with a primary current of 1 A to 40 A	PACT MCR-V3-60-...	2277417	1

Selection table

Primary rated current strength I_{pn}																Rated power S_n [VA]		
I_{sn}	Cl.	1	2	2.5	4	5	6	7.5	10	12.5	15	20	25	30	40			
1 A	0.5	2.5	2.5	2.5	2.5	2.5	2.5	2.5	2.5	2.5	2.5	2.5	2.5	2.5	2.5			
		5	5	5	5	5	5	5	5	5	5	5	5	5	5	5		
	1	2.5	2.5	2.5	2.5	2.5	2.5	2.5	2.5	2.5	2.5	2.5	2.5	2.5	2.5	2.5		
5 A	0.5	2.5	2.5	2.5	2.5	2.5	2.5	2.5	2.5	2.5	2.5	2.5	2.5	2.5	2.5	2.5		
		5	5	5	5	5	5	5	5	5	5	5	5	5	5	5		
	1	2.5	2.5	2.5	2.5	2.5	2.5	2.5	2.5	2.5	2.5	2.5	2.5	2.5	2.5	2.5		
		5	5	5	5	5	5	5	5	5	5	5	5	5	5	5		

3.2 Current transformers that can be calibrated

Bus-bar current transformers with a primary current of 150 A to 500 A, for circular conductors

Description	Type	Order No.	Pcs. / Pkt.
Bus-bar current transformer with a primary current of 150 A to 500 A, for circular conductors	PACT MCR-V1C-21-44-...	2277420	1

Selection table

Primary rated current strength I_{pn}											
I_{sn}	Cl.	150	200	250	300	400	500				
5 A	0.2 S					2.5	2.5				
								5			
	0.2				2.5	2.5	2.5				
					5	5	5				
	0.5 S		2.5	2.5	2.5	2.5	2.5				
				5	5	5	5	5			
0.5				10		10					
		2.5	2.5	2.5	2.5	2.5	2.5				
		5	5	5	5	5	5				
				10		10					

Rated power S_n [VA]

Plug-in current transformers with a primary current of 200 A to 750 A, for rails and circular conductors

Description	Type	Order No.	Pcs. / Pkt.
Plug-in current transformer with a primary current of 200 A to 750 A, for rails and circular conductors	PACT MCR-V2C-3015-60-...	2277433	1

Selection table

Primary rated current strength I_{pn}											
I_{sn}	Cl.	200	250	300	400	500	600	750			
5 A	0.2						2.5	2.5			
									5	5	
	0.2 S							10	10		
						2.5	2.5	2.5	2.5		
	0.5 S						5	5	5		
							10	10	10		
0.5		2.5	2.5	2.5	2.5	2.5	2.5	2.5			
			5	5	5	5	5	5			
				10	10	10	10	10			
								15			
0.5 S		2.5	2.5	2.5	2.5	2.5	2.5	2.5			
			5	5	5	5	5	5			
				10	10	10	10	10			
								15			

Rated power S_n [VA]

Plug-in current transformers with a primary current of 200 A to 1000 A, for rails and circular conductors

Description	Type	Order No.	Pcs. / Pkt.
Plug-in current transformer with a primary current of 200 A to 1000 A, for rails and circular conductors	PACT MCR-V2C-4012-70-...	2277446	1

Selection table

Primary rated current strength I_{pn}												
I_{sn}	Cl.	200	250	300	400	500	600	750	800	1000		
0.2 S							2.5	2.5	2.5	5		
							5	5	5	10		
0.2					2.5	2.5	2.5	5	2.5	5		
					5	5	5	10	5	10		
5 A												
			2.5	2.5	2.5	2.5	5	5	2.5	5		
0.5 S				5	5	5	10	10	5	10		
					10	10			10			
0.5		2.5	2.5	2.5	2.5	2.5	5	5	2.5	5		
			5	5	5	5	10	10	5	10		
					10	10			10			

Rated power S_n [VA]

Plug-in current transformers with a primary current of 200 A to 1200 A, for rails and circular conductors

Description	Type	Order No.	Pcs. / Pkt.
Plug-in current transformer with a primary current of 200 A to 1200 A, for rails and circular conductors	PACT MCR-VC2-5012-85-...	2277459	1

Selection table

Primary rated current strength I_{pn}													
I_{sn}	Cl.	200	250	300	400	500	600	700	800	1000	1200		
0.2 S							2.5	2.5	2.5	5	5		
							5	5	5	10	10		
0.2					2.5	2.5	2.5	2.5	2.5	5	5		
					5	5	5	5	5	10	10		
5 A													
			2.5	2.5	2.5	2.5	5	5	5	5	5		
0.5 S			5	5	5	5	10	10	10	10	10		
					10	10				15	15		
0.5		2.5	2.5	2.5	2.5	2.5	5	5	5	5	5		
			5	5	5	5	10	10	10	10	10		
					10	10				15	15		
										30	30		

Rated power S_n [VA]

Plug-in current transformers with a primary current of 250 A to 1200 A, for rails and circular conductors

Description	Type	Order No.	Pcs. / Pkt.
Plug-in current transformer with a primary current of 250 A to 1200 A, for rails and circular conductors	PACT MCR-V2C-6015-85-...	2277462	1

Selection table

Primary rated current strength I_{pn}														
I_{sn}	Cl.	200	250	300	400	500	600	750	800	1000	1200			
5 A	0.2 S							2.5	2.5	2.5	2.5			
								5	5	5	5			
	0.2									10	10			
								2.5	2.5	2.5	2.5	2.5		
	0.5 S										10	10		
											15	15		
0.5														

Rated power S_n [VA]

Plug-in current transformers with a primary current of 200 A to 1500 A, for rails and circular conductors

Description	Type	Order No.	Pcs. / Pkt.
Plug-in current transformer with a primary current of 200 A to 1500 A, for rails and circular conductors	PACT MCR-V2C-6015-95-...	2277475	1

Selection table

Primary rated current strength I_{pn}																
I_{sn}	Cl.	200	250	300	400	500	600	750	800	1000	1200	1250	1500			
5 A	0.2 S										2.5	5	5	5		
												5	10	10	10	
	0.2												15	15	15	
													20	20	30	
	0.5 S															
0.5																

Rated power S_n [VA]

Plug-in current transformers with a primary current of 500 A to 1500 A, for rails and circular conductors

Description	Type	Order No.	Pcs. / Pkt.
Plug-in current transformer with a primary current of 500 A to 1500 A, for rails and circular conductors	PACT MCR-V2C-6040-96-...	2277488	1

Selection table

Primary rated current strength I_{pn}														
I_{sn}	Cl.	500	600	750	800	1000	1200	1250	1500					Rated power S_n [VA]
5 A	0.2 S							2.5	2.5	2.5				
								5	5	5				
								10						
	0.2	2.5			2.5	2.5	2.5	2.5	2.5	2.5				
		5			5	5	5	5	5	5				
					10			10						
5 A	0.5 S	2.5	2.5	2.5	2.5	2.5	2.5	2.5	2.5					
		5		5	5	5	5	5	5	5				
					10	10	10	10	10	10				
	0.5	2.5	2.5	2.5	2.5	2.5	2.5	2.5	2.5	2.5				
		5	5	5	5	5	5	5	5	5				
		10			10	10	10	10	10	10				

Plug-in current transformers with a primary current of 400 A to 1500 A, for rails and circular conductors

Description	Type	Order No.	Pcs. / Pkt.
Plug-in current transformer with a primary current of 400 A to 1500 A, for rails and circular conductors	PACT MCR-V2C-8015-105-...	2277491	1

Selection table

Primary rated current strength I_{pn}															
I_{sn}	Cl.	400	500	600	750	800	1000	1200	1250	1500					Rated power S_n [VA]
5 A	0.2 S									2.5					
										5					
	0.2	2.5			2.5	2.5	2.5	2.5	2.5	2.5	2.5				
		5			5	5	5	5	5	5	5				
					10	10	10	10	10	10	10				
					15			15							
0.5 S	2.5	2.5	2.5	2.5	2.5	5	2.5	2.5	2.5						
	5		5	5	10	5	5	5							
				10	10	15	10	10	10						
0.5				15			20								
	2.5	2.5	2.5	2.5	2.5	5	2.5	2.5	2.5						
	5	5	5	5	5	10	5	5	5						
	10			10	10	15	10	10	10						

4 Technical data

General data

Rated frequency	
Transformers that cannot be calibrated	50 Hz to 60 Hz
Transformers that can be calibrated	50 Hz
Class of insulation	E
Thermal rated short-time current I_{th}	$60 \times I_N$
Rated surge current I_{dyn}	$2.5 \times I_{th}$
Rated insulation voltage according to EN 50178	1 kV
Impulse withstand voltage	12 kV (1.2/50 μ s)
Surge voltage category	III
Rated power	Depends on type, 1.25 VA to 45 VA
Primary rated current I_{pn}	Depends on type, 1 A to 4000 A
Secondary rated current I_{sn}	Depends on type, 1 A or 5 A
Accuracy	Depends on type, class 0.2; 0.2 S; 0.5; 0.5 S or 1
Surge current limitation factor	FS 5 or FS 10
Housing material	Polyamide PA glass fiber reinforced, black

Connection data

Connection capacity of the secondary terminals	2 x (2.5 x 4) mm
--	------------------

Ambient conditions

Ambient temperature (operation/storage/transport)	-25°C to +40°C
Permissible humidity	Use only indoors; no condensation

Conformance/approvals

Conformance	EN 50178
Standard	IEC 60044-1

5 Safety notes

**WARNING: Danger due to damaged current transformers**

- Before startup, check that the housing of the current transformer is not damaged.
- Also before startup, check that there are no electrically conductive connections between the primary conductor and the secondary terminals.
- If a built-in current transformer is removed in order to be used in a different system, check the current transformer for damage again.

**WARNING: Danger due to voltage at open circuit**

The output of the current transformer is a constant current source. In the event of an increasing load, the output voltage thus increases and reaches its maximum at infinite load (i.e., with open secondary terminals).

- Avoid open-circuit operation at all costs.
- Note that unloaded transformers must be short circuited.
- Only start up the current transformer once the secondary cables are connected on both sides.

**NOTE: Avoid material damage when grounding**

In accordance with VDE 0414, current transformers and voltage transducers must be secondary grounded from a series voltage of 3.6 kV. At low voltages there is no need for grounding, provided the transformers do not have any large metal surfaces within reach.

- Ground the current transformers at the k terminal block.

**NOTE: Avoid damage due to improper mounting**

Vibrations can cause the screws on the primary rail to loosen.

- During mounting, tighten the screws on the primary rail support so that they cannot loosen as a result of vibrations.

Condensation can cause short circuits on the screws of the primary rail.

- Only start up the current transformer inside, where there is no condensation.

6 Selecting the optimum transformer

Once the technical specifications for the current transformers required by the application have been defined, the next step is to determine the transformer types.

The four main current transformer characteristics are:

1. Primary rated current (primary current I_{pn})
2. Secondary rated current (secondary current I_{sn})
3. Capacity (power) in VA
4. Accuracy (class)

The current transformer is selected first and foremost based on the primary rated current I_{pn} , which can be up to 4000 A (depending on the type) and the secondary rated current I_{sn} . This is either 1 A AC or 5 A AC at the output.

The accuracy (class) can be another important criterion for selecting the correct current transformer if certain specifications have to be met.

Special attention, however, should be paid to the calculation of the rated power (in VA). Here it is important to take into consideration all occurring loads of the measuring circuit for optimum selection of the rated power of the current transformer (see below).

Phoenix Contact offers an extensive range of current transformer types. This means that several different types may meet the prescribed technical criteria. The main differences lie in the size and shape of the transformer opening and in the external dimensions of the transformer housing. This allows you to select an optimum current transformer based on the size of the copper rail and the space available in the control cabinet.

How do you choose the optimum current transformer?

Firstly, add together all occurring loads:

- Calculate the power requirement of the copper cable (info: cable length x 2)
- Take into account the power requirement of the connected devices
- Add the reserve requirement

The optimum current transformer is one which can accommodate a maximum of 1.5 times the total load.

This is because underloads affect accuracy and impair the overcurrent limiting protection, which protects the secondary circuit from being damaged by excessive currents.

Power requirement of copper cables with a different diameter

Cable cross section in mm ²	Power in VA (consider the supply and return line)	
	at 5 A	at 1 A
1.5	0.2917	0.117
2.5	0.175	0.0070
4	0.1094	0.0044
6	0.0729	0.0029

I_{sn} at 5 A AC:

$$P = 10 \text{ m} \times 2 \times 0.175 \text{ VA} \rightarrow P = 3.50 \text{ VA}$$

I_{sn} at 1 A AC:

$$P = 10 \text{ m} \times 2 \times 0.007 \text{ VA} \rightarrow P = 0.14 \text{ VA}$$

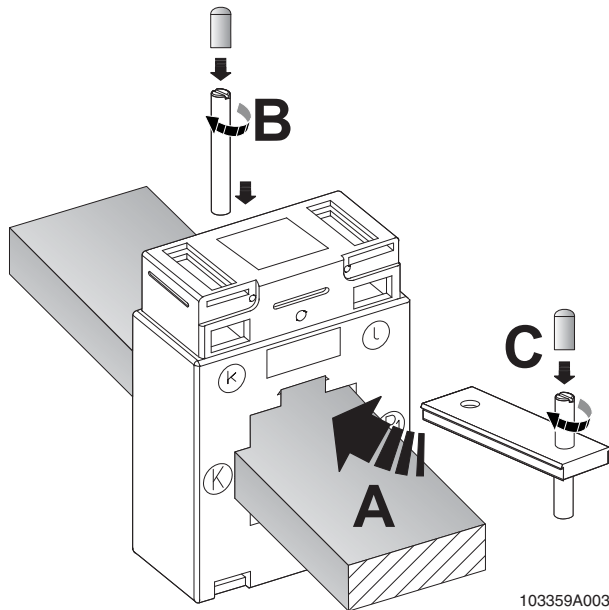
7 Installation and connection

Current transformers from Phoenix Contact can be positioned anywhere.

Thanks to the primary rail support of the PACT Analog current transformer which can be pulled out, no edges protrude from the housing. Instead all edges are flush. This is the basic prerequisite for the parallel attachment and positioning of the current transformers on the copper rail, which thus enables currents and loads supplied via an electric branch to be measured. To this end, a copper sleeve (accessory) is inserted into the internal opening of the current transformer, which creates a conductive connection between the current-carrying copper rail and, e.g., the securing lug of a downstream fuse. To increase the air and creepage distances, an extended secondary terminal cover (accessory) is placed over the connections of the secondary terminals of the horizontal current transformer.

7.1 Installing a current transformer

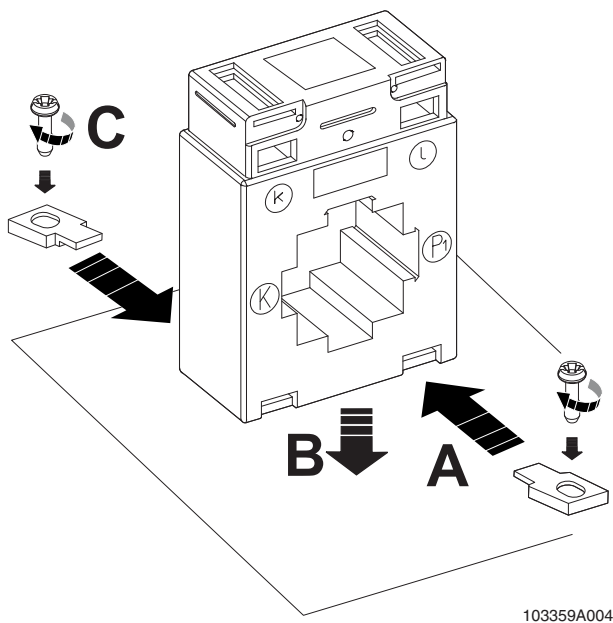
The current transformers can be installed in the following mounting positions:



1. Vertically on the copper rail

In most applications, the current transformer is fitted directly onto the copper rail.

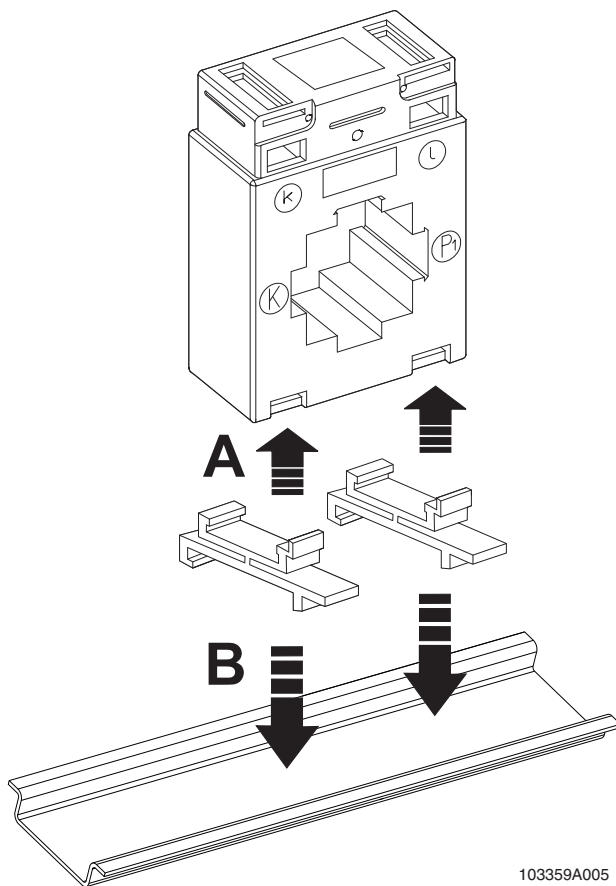
- Slide the current transformer over the copper rail.
- Slide the primary rail support through the inner hole of the current transformer (A).
- Insert the two screws on the left and right of the transformer into the holes of the primary rail support until they reach the copper rail and the pressure is such that the current transformer is fixed in place (B).
- Attach the protective caps for protection against accidental contact to the screw heads (C).



2. Vertically on the mounting plate

Two plug-in feet are included as standard accessories (see page 21).

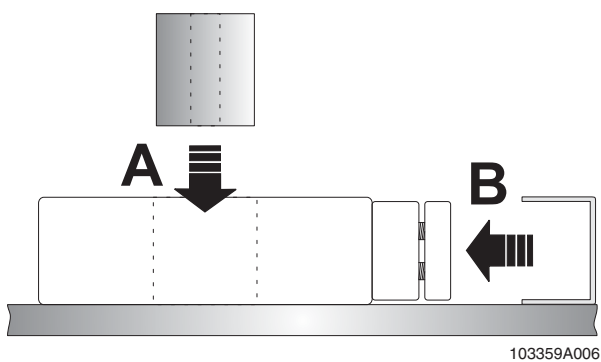
- Insert the plug-in feet underneath the transformer on the right and the left (A).
- Place the current transformer on the mounting plate (B).
- Insert the screws through the openings of the plug-in feet to secure the current transformer (C).



3. Vertically on the DIN rail

The current transformer can also be snapped onto the DIN rail with the optional snap-on mounting (see page 21).

- Snap the snap-on mounting into the holes beneath the current transformer (A).
- Snap the current transformer onto the DIN rail (B).



4. Horizontally on the copper rail

As a result of their flat shape, the Phoenix Contact current transformers can also be fitted horizontally onto copper rails, e.g., behind fuse rails.

This is possible with the following current transformer types:

- MCR-V2-5012-85... (see page 7)
- MCR-V2-3015-60... (see page 5)
- MCR-V1-21-44... (see page 4)

- Insert a suitable copper sleeve (see page 21) into the inner hole of the current transformer (A) to create a conductive connection between the copper rail and the fuse.
- Attach the extended secondary terminal cover to the secondary terminals (B) to increase the air and creepage distances when the current transformer is installed horizontally.

7.2 Connecting a current transformer

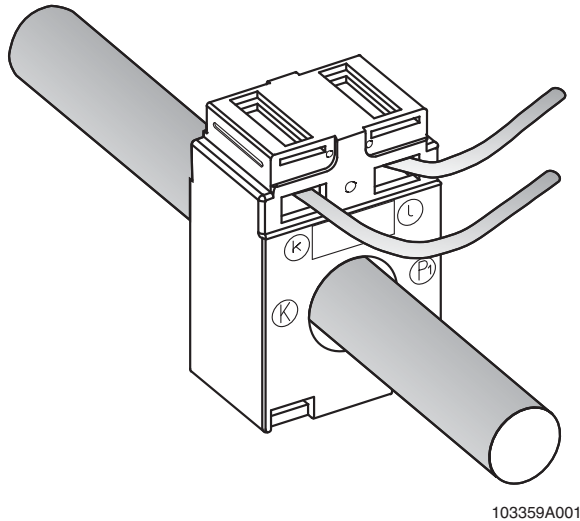


Figure 1 Example connection with PACT MCR-V1-21-44-...

The connections of the primary winding are designated as "K" and "L" or "P1" and "P2". The connections of the secondary winding are designated as "k" and "l" or "s1" and "s2". Pole the cables so that the power flows from "K" to "L".

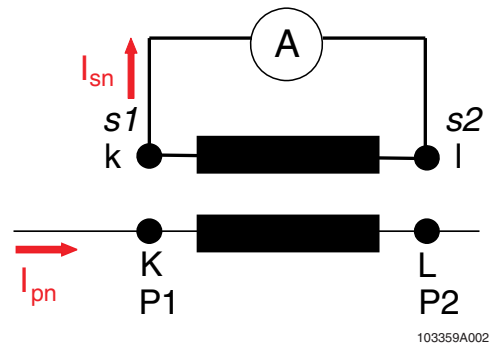


Figure 2 Power flow direction

8 Calibrating the current transformers

Calibrated current transformers are identified by a yellow sticker:

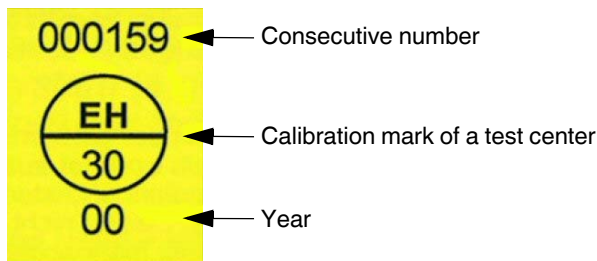


Figure 3 Example stamp of a nationally recognized test center

A PTB (Physikalisch-Technischen Bundesanstalt) approval mark is also applied:

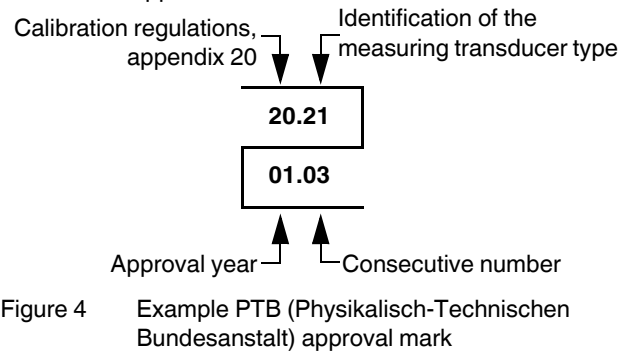


Figure 4 Example PTB (Physikalisch-Technischen Bundesanstalt) approval mark

Each calibrated current transformer is provided with a corresponding calibration certificate.



The calibration process involves additional costs, which are specified in accordance with the national table of fees. These depend on the maximum rated input current of the current transformer.

9 Safe isolation

Operating voltages by comparison

	EN 60044-1 ¹		EN 50178 ²
Rated insulation voltage: (operating voltage)	480 V (L-L)	≅	277 V (L-L)
	7280 V (L-L)	≅	416 V (L-L)
	1000 V (L-L)	≅	577 V (L-L)
	/	≅	1000 V (L-L)
Impulse withstand voltage for transformer testing: at 277 V (L-N)	3 kV		6 kV
	3 kV		12 kV

¹ EN 60044-1: Measuring transducers - Part 1: Current transformer

² EN 50178: Electronic equipment for use in power installations

9.1 Application example with safe isolation up to 1 kV

- The current transformer converts the high current down to 1 A AC or 5 A AC.
- A downstream current transducer creates a standard signal from the secondary current.

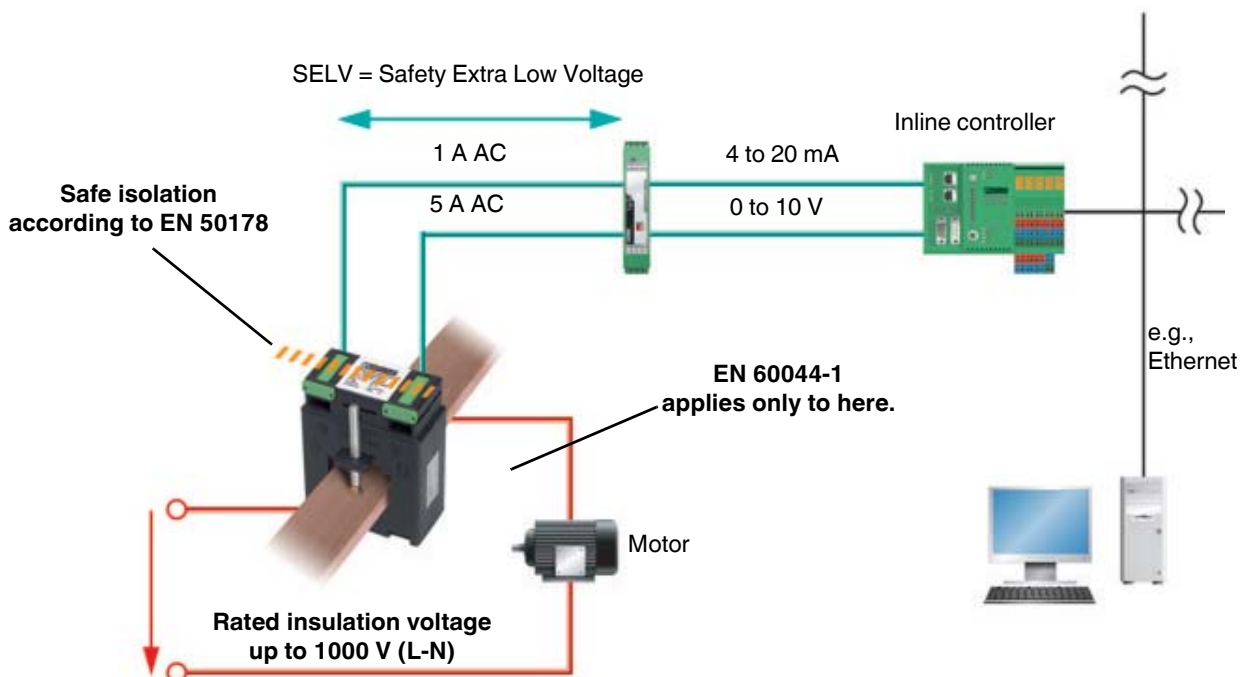


Figure 5 Application example

Данный компонент на территории Российской Федерации

Вы можете приобрести в компании MosChip.

Для оперативного оформления запроса Вам необходимо перейти по данной ссылке:

<http://moschip.ru/get-element>

Вы можете разместить у нас заказ для любого Вашего проекта, будь то серийное производство или разработка единичного прибора.

В нашем ассортименте представлены ведущие мировые производители активных и пассивных электронных компонентов.

Нашей специализацией является поставка электронной компонентной базы двойного назначения, продукции таких производителей как XILINX, Intel (ex.ALTERA), Vicor, Microchip, Texas Instruments, Analog Devices, Mini-Circuits, Amphenol, Glenair.

Сотрудничество с глобальными дистрибьюторами электронных компонентов, предоставляет возможность заказывать и получать с международных складов практически любой перечень компонентов в оптимальные для Вас сроки.

На всех этапах разработки и производства наши партнеры могут получить квалифицированную поддержку опытных инженеров.

Система менеджмента качества компании отвечает требованиям в соответствии с ГОСТ Р ИСО 9001, ГОСТ РВ 0015-002 и ЭС РД 009

Офис по работе с юридическими лицами:

105318, г.Москва, ул.Щербаковская д.3, офис 1107, 1118, ДЦ «Щербаковский»

Телефон: +7 495 668-12-70 (многоканальный)

Факс: +7 495 668-12-70 (доб.304)

E-mail: info@moschip.ru

Skype отдела продаж:

moschip.ru

moschip.ru_4

moschip.ru_6

moschip.ru_9