

NEW Product



- 30 A output current
- 3.3 V input voltage
- Wide-output voltage adjust (0.8 Vdc to 2.5 Vdc)
- Auto-track™ sequencing*
- Margin up/down controls
- Pre-bias start-up capability
- Efficiencies up to 93%
- Output ON/OFF inhibit
- Output voltage sense
- Point-of-Load-Alliance (POLA) compatible
- Available RoHS compliant



2 YEAR WARRANTY

The PTH03030 is a next generation series of non-isolated dc-dc converters offering some of the most advanced POL features available in the industry. The primary new feature provides for sequencing between multiple modules, a function, which is becoming a necessity for powering advanced silicon including DSP's, FPGA's and ASIC's requiring controlled power-up and power-down. Other industry leading features include margin up/down controls, pre-bias start-up capability and efficiencies up to 93%. The PTH03030 has an input voltage of 2.95 Vdc to 3.65 Vdc and offers a wide 0.8 Vdc to 2.5 Vdc output voltage range with up to 30 A output current, which allows for maximum design flexibility and a pathway for future upgrades.

All specifications are typical at nominal input, full load at 25 °C unless otherwise stated
 $C_{in} = 1500 \mu F$, $C_{out} = 0 \mu F$

SPECIFICATIONS

OUTPUT SPECIFICATIONS

| | | |
|------------------------------------|--|-------------|
| Voltage adjustability | (See Note 4) | 0.8-2.5 Vdc |
| Setpoint accuracy | | ±2.0% Vo |
| Line regulation | | ±10 mV typ. |
| Load regulation | | ±12 mV typ. |
| Total regulation | | ±3.0% Vo |
| Minimum load | | 0 A |
| Ripple and noise | 20 MHz bandwidth | 30 mV pk-pk |
| Temperature co-efficient | -40 °C to +85 °C | ±0.5% Vo |
| Transient response (See Note 5) | 70 µs recovery time Overshoot/undershoot 100 mV | |
| Margin adjustment | | ±5.0% Vo |

INPUT SPECIFICATIONS

| | | |
|----------------------|------------------------|-----------------|
| Input voltage range | (See Note 3) | 2.95-3.65 Vdc |
| Input current | No load | 10 mA typ. |
| Remote ON/OFF | (See Note 1) | Positive logic |
| Start-up time | | 1 V/ms |
| Undervoltage lockout | | 2.8-2.95 V typ. |
| Track input voltage | Pin 11 (See Note 6, 7) | ±0.3 Vin |

EMC CHARACTERISTICS

| | |
|-------------------------|-----------------------|
| Electrostatic discharge | EN61000-4-2, IEC801-2 |
| Conducted immunity | EN61000-4-6 |
| Radiated immunity | EN61000-4-3 |

GENERAL SPECIFICATIONS

| | | |
|-------------------------|------------------------|---|
| Efficiency | (See Efficiency Table) | 93% max. |
| Insulation voltage | | Non-isolated |
| Switching frequency | | 275 kHz to 325 kHz |
| Approvals and standards | | EN60950 UL/cUL60950 |
| Material flammability | | UL94V-0 |
| Dimensions | (L x W x H) | 34.80 x 28.45 x 9.00 mm 1.370 x 1.120 x 0.354 in |
| Weight | | 10 g (0.35 oz) |
| MTBF | Telcordia SR-332 | 2,821,000 hours |

ENVIRONMENTAL SPECIFICATIONS

| | | |
|-------------------------------------|---|---------------------------------------|
| Thermal performance (See Note 2) | Operating ambient, temperature Non-operating | -40 °C to +85 °C -40 °C to +125 °C |
| MSL ('Z' suffix only) | JEDEC J-STD-020C | Level 3 |

PROTECTION

| | | |
|---------------|------------|-----------|
| Short-circuit | Auto reset | 45 A typ. |
| Thermal | | Yes |

International Safety Standard Approvals



UL/cUL CAN/CSA-C22.2 No. 60950-1-03/UL 60950-1,
File No. E174104



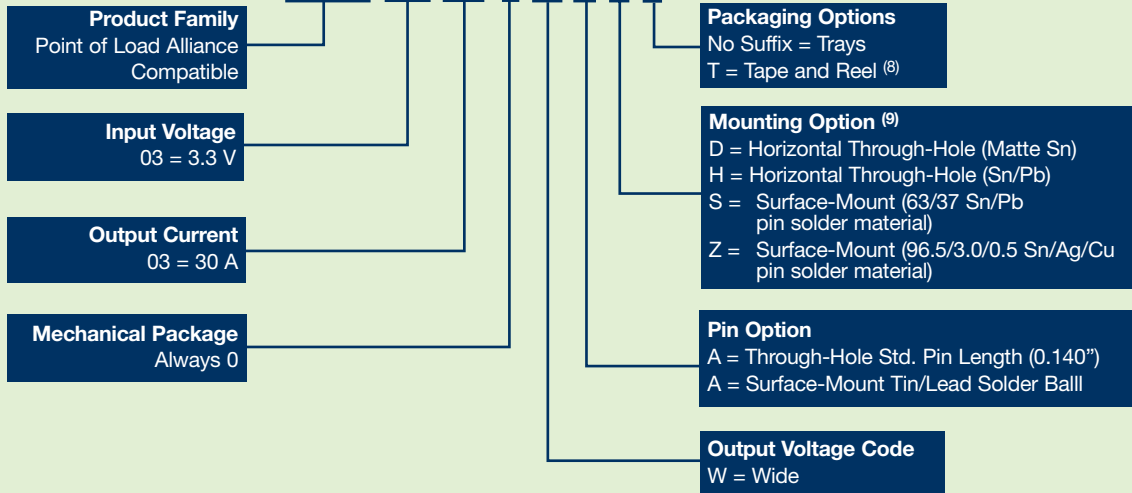
TÜV Product Service (EN60950) Certificate No. B 04 06 38572 044
CB Report and Certificate to IEC60950, Certificate No.
US/8292/UL

*Auto-track™ is a trade mark of Texas Instruments

| OUTPUT POWER (MAX.) | INPUT VOLTAGE | OUTPUT VOLTAGE | OUTPUT CURRENT (MIN.) | OUTPUT CURRENT (MAX.) | EFFICIENCY (MAX.) | REGULATION | | MODEL NUMBER ^(9,10) |
|---------------------|---------------|----------------|-----------------------|-----------------------|-------------------|------------|--------|--------------------------------|
| | | | | | | LINE | LOAD | |
| 75 W | 2.95-3.65 Vdc | 0.8-2.5 Vdc | 0 A | 30 A | 93% | ±10 mV | ±12 mV | PTH03030 |

Part Number System with Options

PTH03030WAST



Output Voltage Adjustment of the PTH03030 Series

The ultra-wide output voltage trim range offers major advantages to users who select the PTH03030. It is no longer necessary to purchase a variety of modules in order to cover different output voltages. The output voltage can be trimmed in a range of 0.8 Vdc to 2.5 Vdc. When the PTH03030 converter leaves the factory the output has been adjusted to the default voltage of 0.8 V.

Notes

- Remote ON/OFF. Positive Logic
ON: Pin 3 open; or $V > V_{in} - 0.5 V$
OFF: Pin 3 GND; or $V < 0.8 V$ (min - 0.2 V)
- See Figure 1 for safe operating curve.
- A 1,500 μF electrolytic input capacitor is required for proper operation. The capacitor must be rated for a minimum of 900 mA rms of ripple current.
- An external output capacitor is not required for basic operation. Adding 330 μF of distributed capacitance at the load will improve the transient response.
- 1 A/ μs load step, 50 to 100% I_{Omax} ; $C_{out} = 330 \mu F$.
- If utilized V_{out} will track applied voltage by $\pm 0.3 V$ (up to V_o set point).
- The pre-bias start-up feature is not compatible with Auto-Track™. This is because when the module is under Auto-Track™ control, it is fully active and will sink current if the output voltage is below that of a back-feeding source. Therefore to ensure a pre-bias hold-off, one of the following two techniques must be followed when input power is first applied to the module. The Auto-Track™ function must either be disabled, or the module's output held off using the Inhibit pin. Refer to Application Note 152 for more details.
- Tape and reel packaging only available on the surface-mount versions.
- To order Pb-free (RoHS compatible) surface-mount parts replace the mounting option 'S' with 'Z', e.g. PTH03030WAZ. To order Pb-free (RoHS compatible) through-hole parts replace the mounting option 'H' with 'D', e.g. PTH03030WAD.
- NOTICE: Some models do not support all options. Please contact your local Artesyn representative or use the on-line model number search tool at <http://www.artesyn.com/powergroup/products.htm> to find a suitable alternative.

EFFICIENCY TABLE ($I_o = 20 A$)

| OUTPUT VOLTAGE | EFFICIENCY |
|----------------|------------|
| $V_o = 1.0 V$ | 85% |
| $V_o = 1.2 V$ | 87% |
| $V_o = 1.5 V$ | 89% |
| $V_o = 1.8 V$ | 91% |
| $V_o = 2.0 V$ | 92% |
| $V_o = 2.5 V$ | 93% |

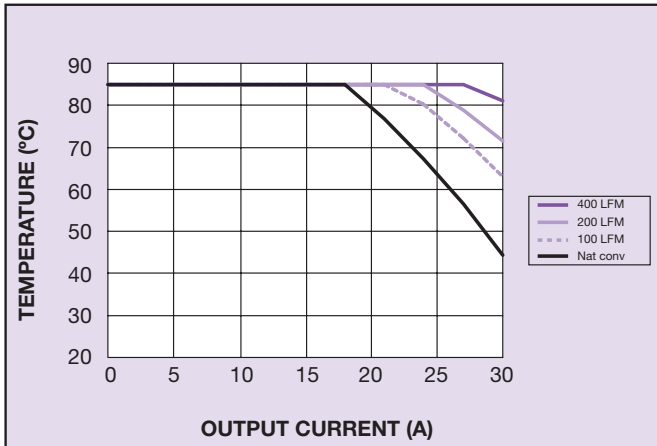


Figure 1 - Safe Operating Area
Vin = 3.3 V, Output Voltage = 2.5 V (See Note A)

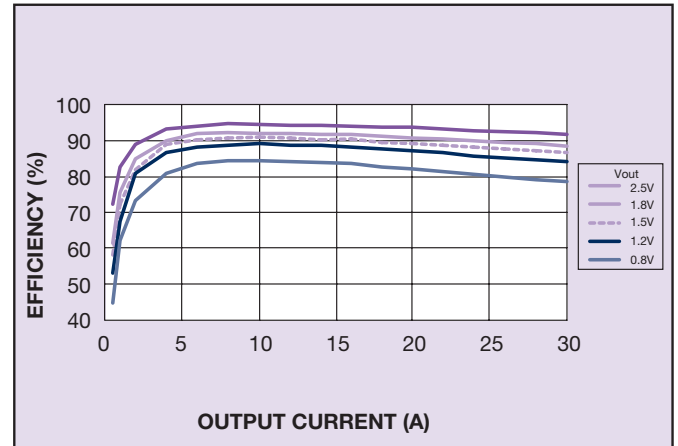


Figure 2 - Efficiency vs Load Current
Vin = 3.3 V (See Note B)

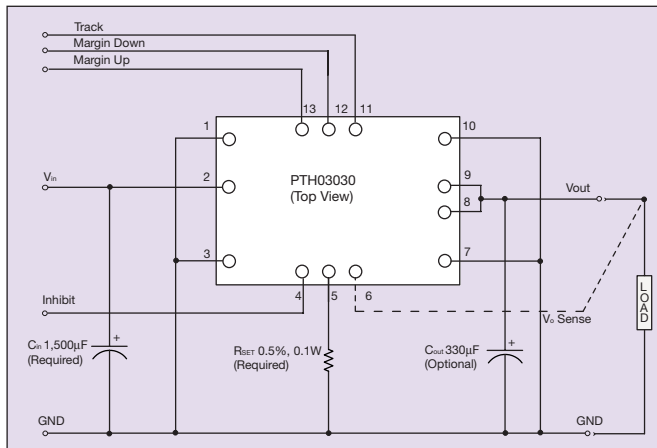


Figure 3 - Standard Application

Notes

- A** SOA curves represent the conditions at which internal components are within the Artesyn derating guidelines.
- B** Characteristic data has been developed from actual products tested at 25 °C. This data is considered typical data for the converter.

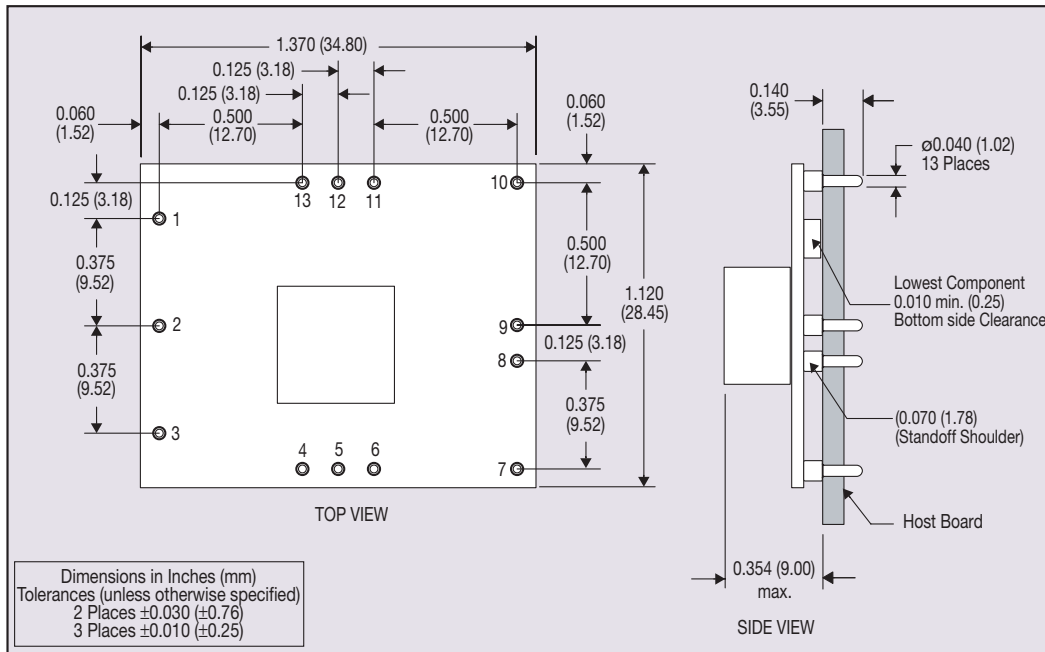


Figure 4 - Plated Through-Hole Mechanical Drawing

| PIN CONNECTIONS | |
|-----------------|--------------|
| PIN NO. | FUNCTION |
| 1 | Ground |
| 2 | Vin |
| 3 | Ground |
| 4 | Inhibit* |
| 5 | Vo adjust |
| 6 | Vo sense |
| 7 | Ground |
| 8 | Vout |
| 9 | Vout |
| 10 | Ground |
| 11 | Track |
| 12 | Margin down* |
| 13 | Margin up* |

*Denotes negative logic:
Open = Normal operation
Ground = Function active

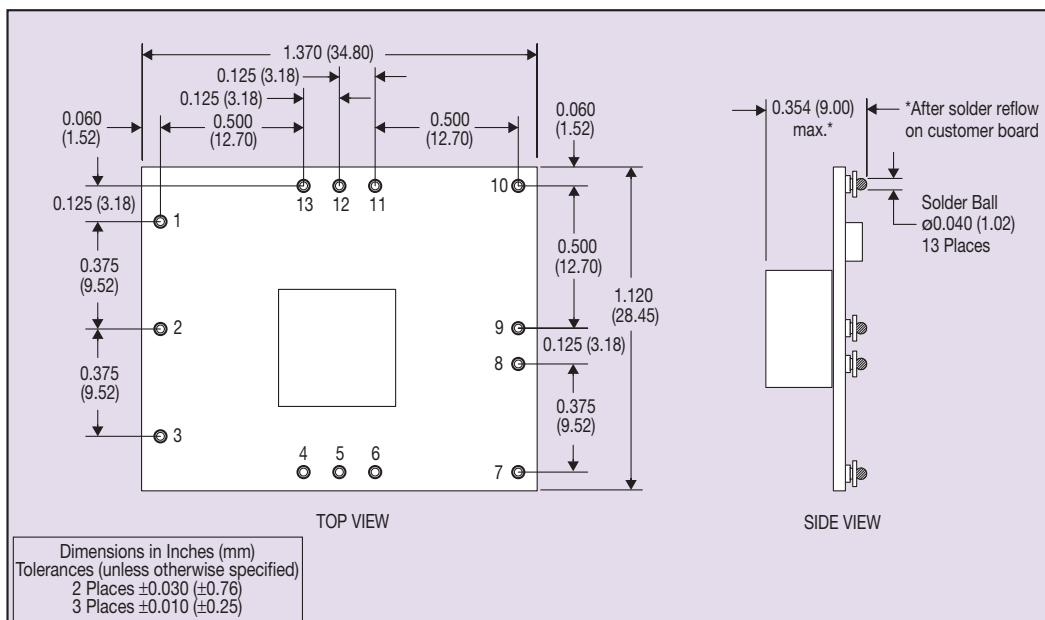


Figure 5 - Surface-Mount Mechanical Drawing

Данный компонент на территории Российской Федерации

Вы можете приобрести в компании MosChip.

Для оперативного оформления запроса Вам необходимо перейти по данной ссылке:

<http://moschip.ru/get-element>

Вы можете разместить у нас заказ для любого Вашего проекта, будь то серийное производство или разработка единичного прибора.

В нашем ассортименте представлены ведущие мировые производители активных и пассивных электронных компонентов.

Нашей специализацией является поставка электронной компонентной базы двойного назначения, продукции таких производителей как XILINX, Intel (ex.ALTERA), Vicor, Microchip, Texas Instruments, Analog Devices, Mini-Circuits, Amphenol, Glenair.

Сотрудничество с глобальными дистрибьюторами электронных компонентов, предоставляет возможность заказывать и получать с международных складов практически любой перечень компонентов в оптимальные для Вас сроки.

На всех этапах разработки и производства наши партнеры могут получить квалифицированную поддержку опытных инженеров.

Система менеджмента качества компании отвечает требованиям в соответствии с ГОСТ Р ИСО 9001, ГОСТ РВ 0015-002 и ЭС РД 009

Офис по работе с юридическими лицами:

105318, г.Москва, ул.Щербаковская д.3, офис 1107, 1118, ДЦ «Щербаковский»

Телефон: +7 495 668-12-70 (многоканальный)

Факс: +7 495 668-12-70 (доб.304)

E-mail: info@moschip.ru

Skype отдела продаж:

moschip.ru

moschip.ru_4

moschip.ru_6

moschip.ru_9