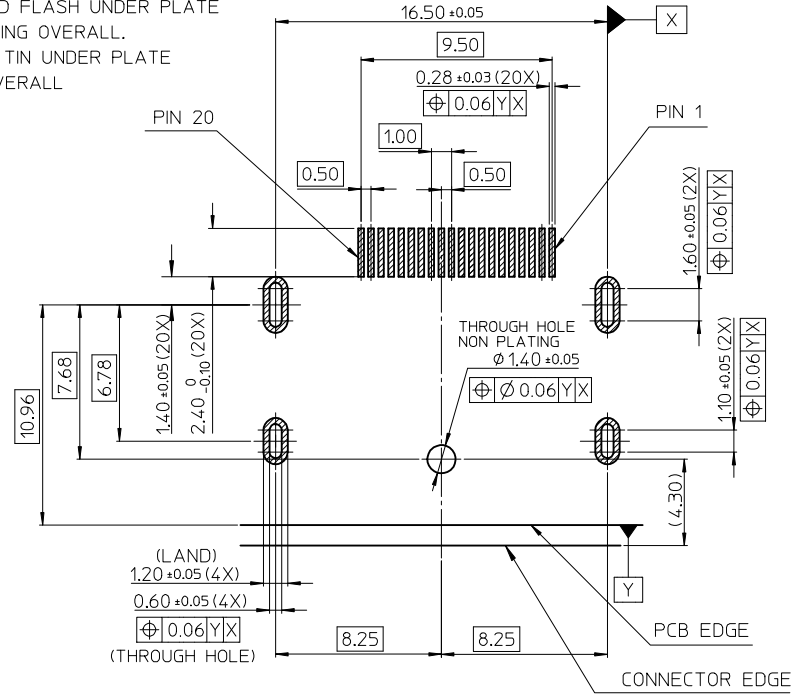
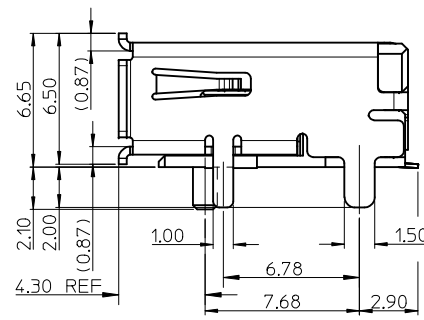
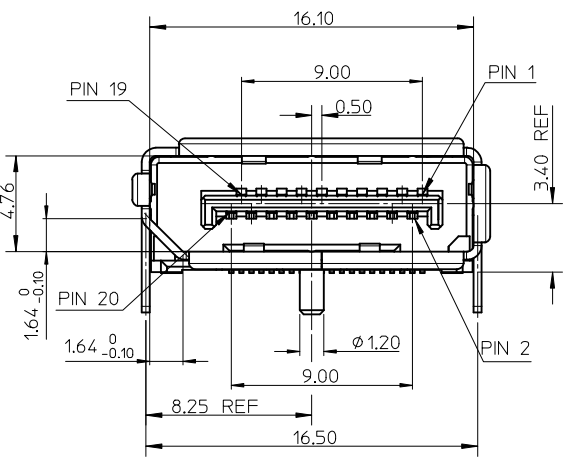
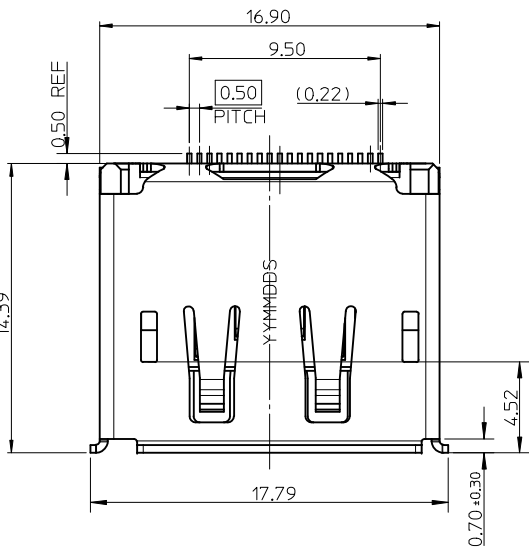
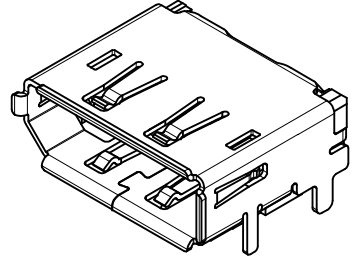
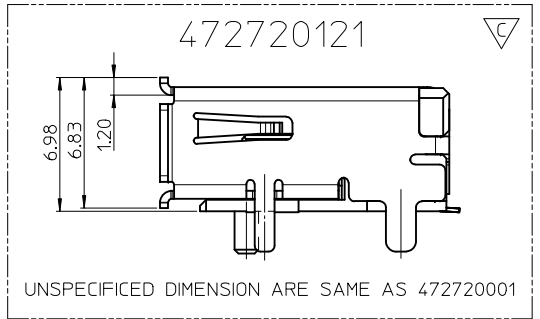


NOTES:

1. MATERIAL:
HOUSING: LIQUID CRYSTAL POLYMER, BLACK, 30% GLASS FILLED, UL94V-0.
TERMINAL: BRASS.
SHELL: STAINLESS STEEL FOR WITHOUT FLANGE PART & PHOSPHOR BRONZE FOR WITH FLANGE PART
2. PLATING:
TERMINAL:
CONTACT AREA: (1). 0.76 MICROMETER (30 μ) GOLD PLATING
(2). 0.38 MICROMETER(15 μ) GOLD PLATING
(3). GOLD FLASH PLATING
AND SOLDER TAIL: 1~3 MICROMETER(39~118μ) MATT TIN UNDER PLATE
2~4 MICROMETER(79~158μ) NICKEL PLATING OVERALL.
- SHELL:
(a). 1.27~2.54 MICROETER(50~100μ) SOLDERABLE NICKEL PLATING OVERALL.
(b). SHEEL PEG SOLDERING SURFACE PLATE GOLD FLASH UNDER PLATE
1~3 MICROMETER(39~118μ) NICKEL PLATING OVERALL.
(c). SHELL PLATE 2.0~4.0 MICROMETER(79~158μ) TIN UNDER PLATE
1.27~3.0 MICROERER(50~118μ) NICKEL OVERALL
3. SOLDER TAIL COPLANARITY 0.10 MAX.
4. PS REFER TO PS-47272-001



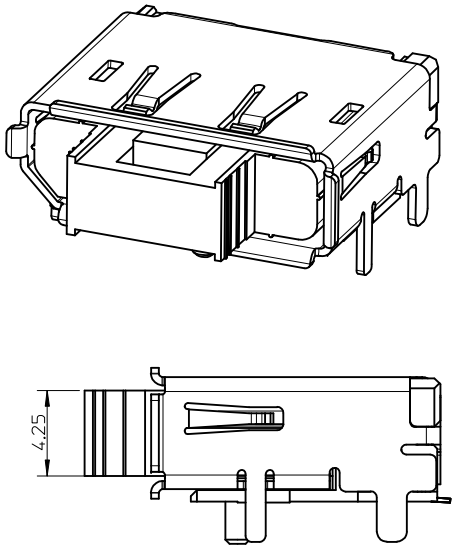
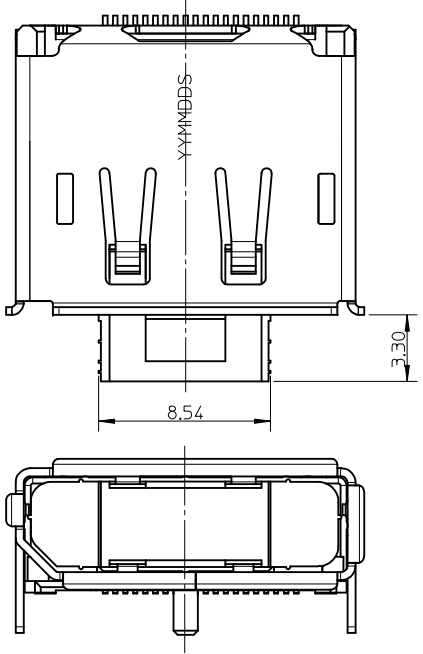
RECOMMENDED PCB LAYOUT(THICKNESS=1.6±0.15)



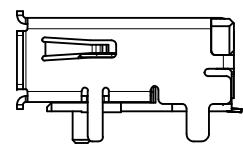
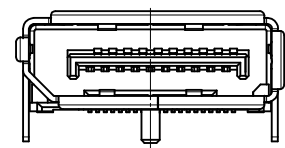
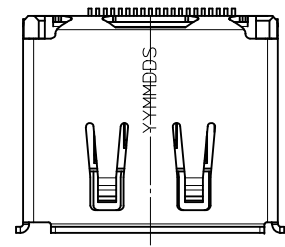
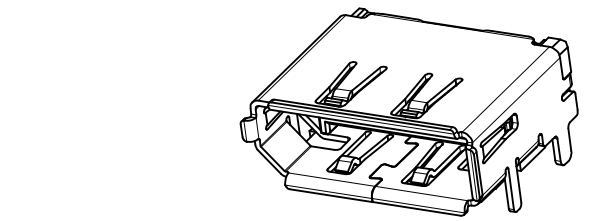
REVISED EC NO: SH2015-0381 DRWR:RZHANG CHKD: APPR:AYIN	DESCRIPTION 2015/03/19 2015/04/29	QUALITY SYMBOLS F=0 F=0 F=0	GENERAL TOLERANCES (UNLESS SPECIFIED)		DIMENSION STYLE MM ONLY	SCALE 1:1	DESIGN UNITS METRIC	THIRD ANGLE PROJECTION
			mm	INCH	DRAWN BY RZHANG	DATE 2005/07/01	TITLE 1.0MM PITCH DISPLAY PORT RECEPTACLE ASSEMBLY	
			4 PLACES ± ---	± ---	CHECKED BY IWANG	DATE 2005/07/01	MATERIAL NO. SEE SHEET 8	
			3 PLACES ± ---	± ---	APPROVED BY RZHANG	DATE 2010/03/26	DOCUMENT NO. SD-47272-001	
2 PLACES ± 0.25		± ---	ANGULAR ± 3 °		MATERIAL NO. SEE SHEET 8		SHEET NO. 1 OF 8	
1 PLACE ± 0.25		± ---	DRAFT WHERE APPLICABLE MUST REMAIN WITHIN DIMENSIONS		THIS DRAWING CONTAINS INFORMATION THAT IS PROPRIETARY TO MOLEX INCORPORATED AND SHOULD NOT BE USED WITHOUT WRITTEN PERMISSION			

10 9 8 7 6 5 4 3 2 1

WITH COVER



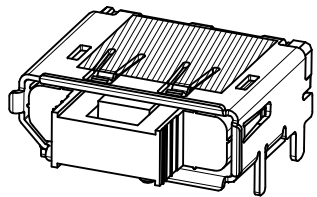
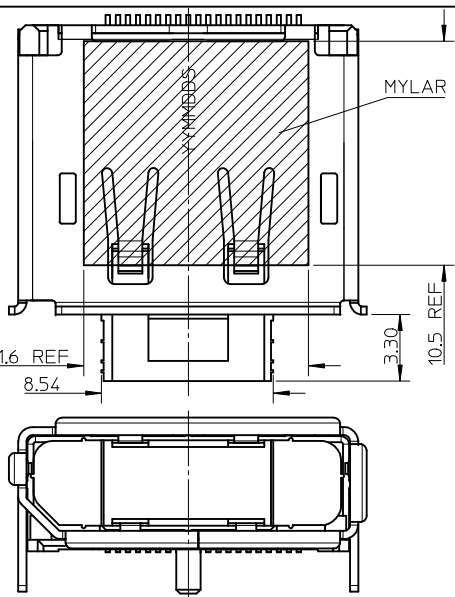
WITHOUT LATCH HOLE



- NOTES:
 1.UNSPECIFIED DIMENSION ARE SAME AS SHEET1
 2.CONNECTOR WITH COVER IS USED FOR WARE SOLDERING PEG

- NOTES:
 1.UNSPECIFIED DIMENSION ARE SAME AS SHEET1

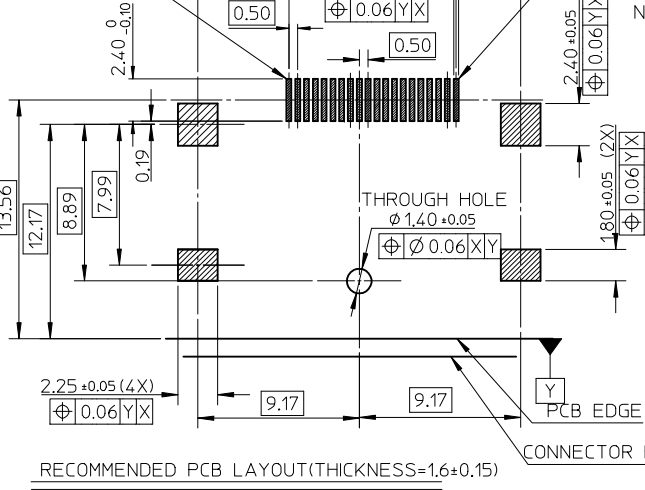
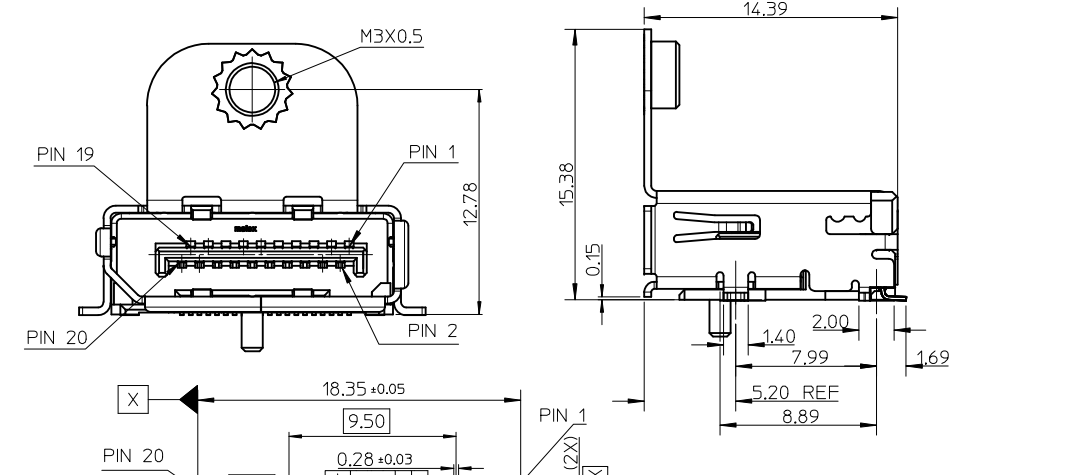
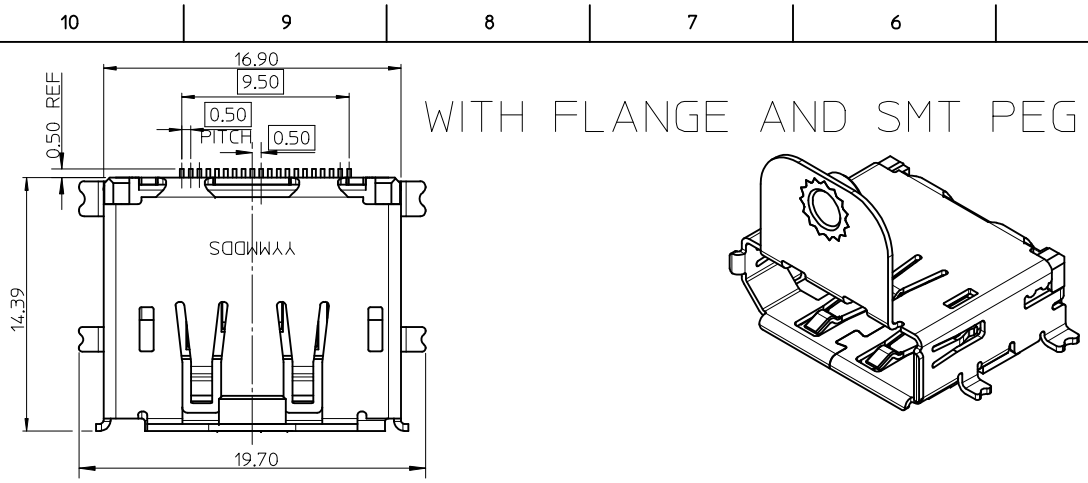
WITH COVER AND MYLAR



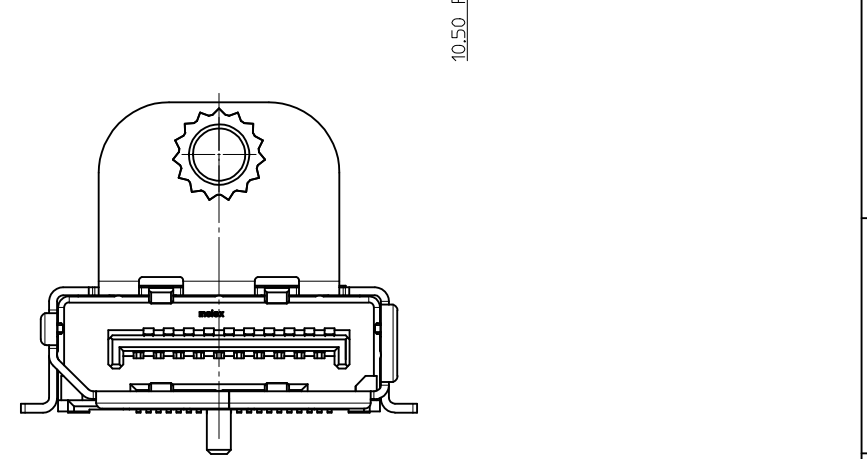
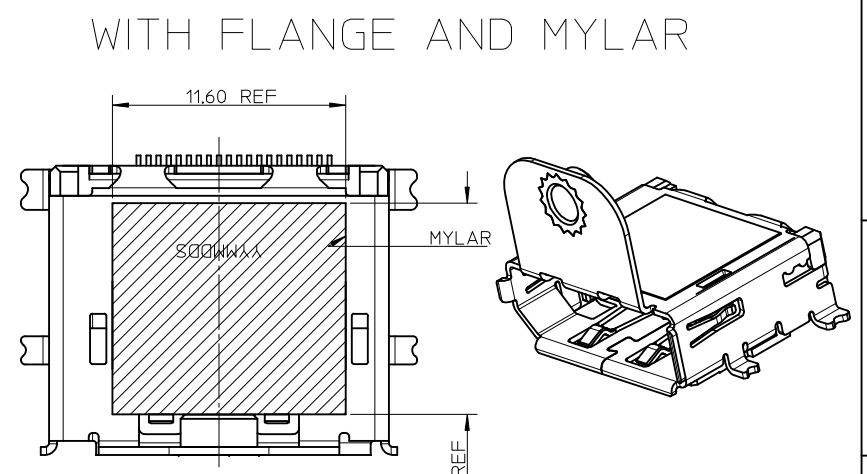
- NOTES:
 1.UNSPECIFIED DIMENSION ARE SAME AS SHEET1
 2.CONNECTOR WITH COVER IS USED FOR WARE SOLDERING PEG

REVISED EC NO: SH2015-0381 DRW: RZHANG CHKD: APPR: AYIN 2015/03/19 2015/04/29	QUALITY SYMBOLS $\nabla_F = 0$ $\nabla_F = 0$ $\nabla_F = 0$	GENERAL TOLERANCES (UNLESS SPECIFIED)		DIMENSION STYLE MM ONLY	SCALE 1:1	DESIGN UNITS METRIC	THIRD ANGLE PROJECTION		
		4 PLACES \pm --- \pm ---	3 PLACES \pm --- \pm ---	2 PLACES ± 0.25 \pm ---	1 PLACE ± 0.25 \pm ---	DRAWN BY RZHANG	DATE 2005/07/01	TITLE 1.0MM PITCH DISPLAY PORT RECEPTACLE ASSEMBLY	
		ANGULAR $\pm 3^\circ$		DRAFT WHERE APPLICABLE MUST REMAIN WITHIN DIMENSIONS		CHECKED BY IWANG	DATE 2005/07/01	MOLEX INCORPORATED	
		SEE SHEET 8		APPROVED BY RZHANG	DATE 2010/03/26	MATERIAL NO.	DOCUMENT NO.	SHEET NO.	

9 8 7 6 5 4 3 2 1

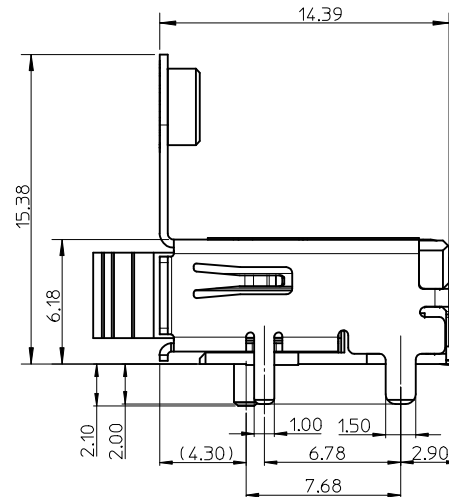
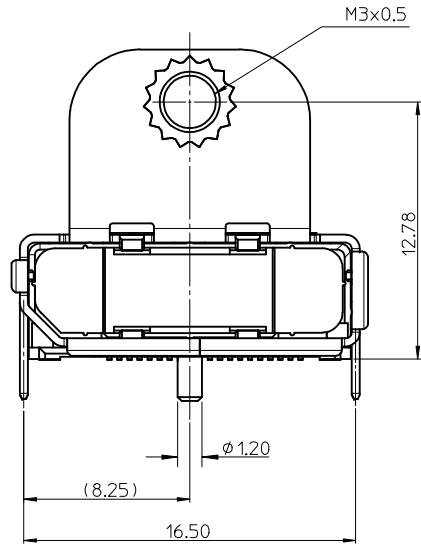
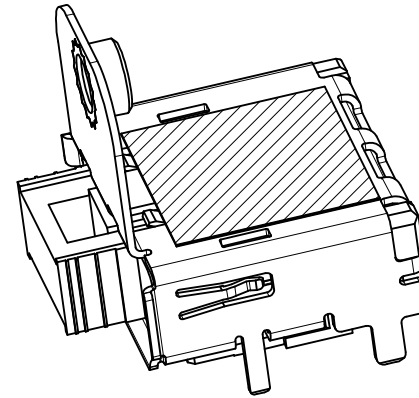
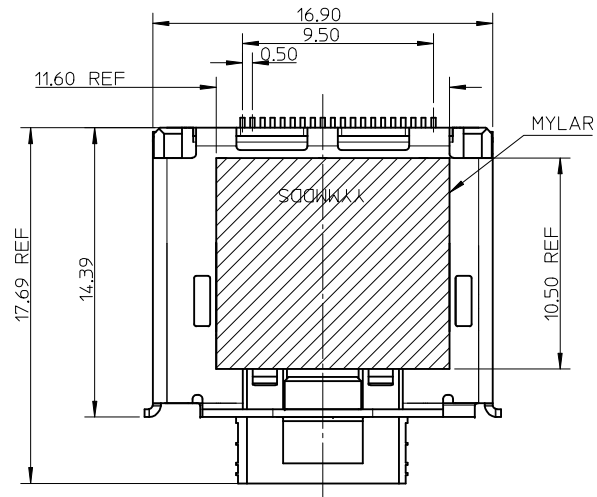


NOTES:
 UNSPECIFIED DIMENSION ARE SAME AS SHEET 1



NOTES:
 1. UNSPECIFIED DIMENSION ARE SAME AS SHEET 1
 2. THE RECOMMENDER PCB ARE SAME AS LEFT RECOMMENDER PCB

REVISED EC NO: SH2015-0381 DRAWN: RZHANG CHKD: APPR: AYIN REV	DESCRIPTION 2015/03/19 2015/04/29	QUALITY SYMBOLS		GENERAL TOLERANCES (UNLESS SPECIFIED)		DIMENSION STYLE		SCALE	DESIGN UNITS	THIRD ANGLE PROJECTION		
		$\nabla = 0$ $\nabla = 0$ $\nabla = 0$		mm INCH 4 PLACES ± --- ± --- 3 PLACES ± --- ± --- 2 PLACES ± 0.25 ± --- 1 PLACE ± 0.25 ± --- ANGULAR ± 3°		MM ONLY		1:1	METRIC			
		DRAWN BY		DATE		DRAWN BY		DATE		TITLE 1.0MM PITCH DISPLAY PORT RECEPTACLE ASSEMBLY		
		RZHANG		2005/07/01		RZHANG		2005/07/01				
CHECKED BY		DATE		APPROVED BY		DATE		MOLEX INCORPORATED				
IWANG		2005/07/01		RZHANG		2010/03/26						
MATERIAL NO.		DOCUMENT NO.		SEE SHEET 8		SD-47272-001		SHEET NO. 4 OF 8				
SIZE A3		THIS DRAWING CONTAINS INFORMATION THAT IS PROPRIETARY TO MOLEX INCORPORATED AND SHOULD NOT BE USED WITHOUT WRITTEN PERMISSION										

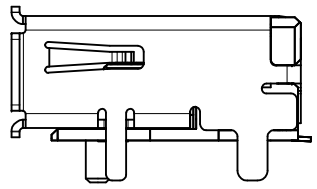
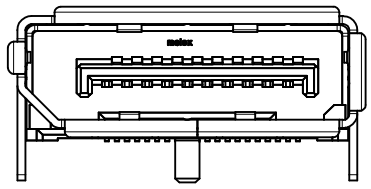
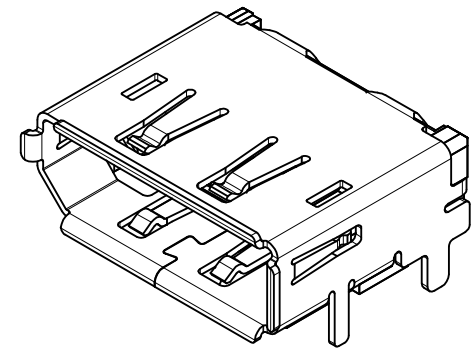
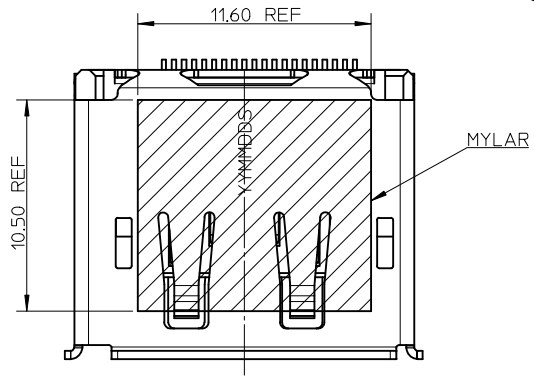


- NOTES:
1. UNSPECIFIC DIMENSION ARE SAME AS SHEET1
 2. THE RECOMMENDER PCB ARE SAME AS SHEET1

REVISED EC NO: SH2015-0381 DRWR:RZHANG CHKD: APPR:AYIN	DESCRIPTION REV	QUALITY SYMBOLS		GENERAL TOLERANCES (UNLESS SPECIFIED)		DIMENSION STYLE MM ONLY		SCALE 1:1	DESIGN UNITS METRIC	THIRD ANGLE PROJECTION		
		$\nabla = 0$	$\nabla = 0$	$\nabla = 0$	mm	INCH	DRAWN BY RZHANG	DATE 2005/07/01	TITLE 1.0MM PITCH DISPLAY PORT RECEPTACLE ASSEMBLY			
		$\nabla = 0$	$\nabla = 0$	$\nabla = 0$	4 PLACES	\pm ---	\pm ---	CHECKED BY IWANG	DATE 2005/07/01	MOLEX INCORPORATED		
		$\nabla = 0$	$\nabla = 0$	$\nabla = 0$	2 PLACES	± 0.25	\pm ---	APPROVED BY RZHANG	DATE 2010/03/26	DOCUMENT NO. SD-47272-001	SHEET NO. 6 OF 8	
				1 PLACE	± 0.25	\pm ---	DRAFT WHERE APPLICABLE MUST REMAIN WITHIN DIMENSIONS		THIS DRAWING CONTAINS INFORMATION THAT IS PROPRIETARY TO MOLEX INCORPORATED AND SHOULD NOT BE USED WITHOUT WRITTEN PERMISSION			
							ANGULAR $\pm 3^\circ$	SEE SHEET 8				

10 9 8 7 6 5 4 3 2 1

STANDARD TYPE WITH MYLAR



NOTES:

- 1. UNSPECIFIC DIMENSION ARE SAME AS SHEET1
- 2. THE RECOMMENDER PCB ARE SAME AS SHEET1

REVISED EC NO: SH2015-0381 DRWR:RZHANG 2015/03/19 CHKD: APPR:AYIN 2015/04/29	DESCRIPTION REV	QUALITY SYMBOLS	GENERAL TOLERANCES (UNLESS SPECIFIED)		DIMENSION STYLE MM ONLY		SCALE 4:1	DESIGN UNITS METRIC	THIRD ANGLE PROJECTION	
		$\nabla = 0$	mm	INCH	DRAWN BY RZHANG	DATE 2005/07/01	TITLE 1.0MM PITCH DISPLAY PORT RECEPTACLE ASSEMBLY			
		$\nabla = 0$	4 PLACES ± ---	± ---	CHECKED BY IWANG	DATE 2005/07/01	MOLEX INCORPORATED DOCUMENT NO. SD-47272-001 SHEET NO. 7 OF 8			
		$\nabla = 0$	3 PLACES ± ---	± ---	APPROVED BY RZHANG	DATE 2010/03/26				
DRAFT WHERE APPLICABLE MUST REMAIN WITHIN DIMENSIONS		1 PLACE ± 0.25	± ---	MATERIAL NO. SEE SHEET 8						
		ANGULAR ± 3 °	THIS DRAWING CONTAINS INFORMATION THAT IS PROPRIETARY TO MOLEX INCORPORATED AND SHOULD NOT BE USED WITHOUT WRITTEN PERMISSION							

9 8 7 6 5 4 3 2 1

10 9 8 7 6 5 4 3 2 1

F

E

D

C

B

A

PART NO.	COVER	FLANGE (SCREW)	PEG OF SHELL	PLATING IN CONTACT AREA	SHELL PLATING	LATCH HOLE	MYLAR	POST	PACKAGE	REMARK	SHELL MATERIAL	
472720001	WITHOUT	WITHOUT	THROUGH HOLE PEG	SEE NOTE2(1)	SEE NOTE2(a)	WITH	WITHOUT	WITH	PK-47272-001	FOR SHEET 1	STAINLESS STEEL	
472720011	WITHOUT	WITHOUT	THROUGH HOLE PEG	SEE NOTE2(2)	SEE NOTE2(a)	WITH	WITHOUT	WITH	PK-47272-001			
472720021	WITHOUT	WITHOUT	THROUGH HOLE PEG	SEE NOTE2(3)	SEE NOTE2(a)	WITH	WITHOUT	WITH	PK-47272-001			
472720003	WITHOUT	WITHOUT	THROUGH HOLE PEG	SEE NOTE2(1)	SEE NOTE2(a)	WITHOUT	WITHOUT	WITH	PK-47272-001	FOR SHEET 2		
472721002	WITH	WITHOUT	THROUGH HOLE PEG	SEE NOTE2(1)	SEE NOTE2(a)	WITH	WITHOUT	WITH	PK-47272-001			
472720012	WITH	WITHOUT	THROUGH HOLE PEG	SEE NOTE2(2)	SEE NOTE2(a)	WITH	WITHOUT	WITH	PK-47272-001			
472720022	WITH	WITHOUT	THROUGH HOLE PEG	SEE NOTE2(3)	SEE NOTE2(a)	WITH	WITHOUT	WITH	PK-47272-001			
472720024	WITH	WITHOUT	THROUGH HOLE PEG	SEE NOTE2(1)	SEE NOTE2(a)	WITH	WITH	WITH	PK-47272-001	FOR SHEET 3		PHOSPHOR BRONZE
472720004	WITH	WITH	THROUGH HOLE PEG	SEE NOTE2(1)	SEE NOTE2(c)	WITH	WITHOUT	WITH	PK-47272-005			
472721004	WITHOUT	WITH	THROUGH HOLE PEG	SEE NOTE2(1)	SEE NOTE2(c)	WITH	WITHOUT	WITH	PK-47272-003			
472720025	WITHOUT	WITH	THROUGH HOLE PEG	SEE NOTE2(1)	SEE NOTE2(c)	WITH	WITH	WITH	PK-47272-003			
472720028	WITHOUT	WITH	THROUGH HOLE PEG	SEE NOTE2(3)	SEE NOTE2(c)	WITH	WITH	WITH	PK-47272-003			
472721005	WITHOUT	WITH	SMT PEG	SEE NOTE2(1)	SEE NOTE2(c)	WITH	WITHOUT	WITH	PK-47272-003	FOR SHEET 4		
472720023	WITHOUT	WITH	SMT PEG	SEE NOTE2(1)	SEE NOTE2(c)	WITH	WITH	WITH	PK-47272-003	FOR SHEET 5	STAINLESS STEEL	
472720026	WITHOUT	WITHOUT	THROUGH HOLE PEG	SEE NOTE2(1)	SEE NOTE2(a)	WITH	WITHOUT	WITHOUT	PK-47272-001	FOR SHEET 6	PHOSPHOR BRONZE	
472720027	WITH	WITH	THROUGH HOLE PEG	SEE NOTE2(1)	SEE NOTE2(c)	WITH	WITH	WITH	PK-47272-005	FOR SHEET 7	STAINLESS STEEL	
472720029	WITHOUT	WITHOUT	THROUGH HOLE PEG	SEE NOTE2(1)	SEE NOTE2(a)	WITH	WITH	WITH	PK-47272-001	FOR SHEET 1		
472720121	WITHOUT	WITHOUT	THROUGH HOLE PEG	SEE NOTE2(1)	SEE NOTE2(a)	WITH	WITHOUT	WITH	PK-47272-121	FOR SHEET 3	PHOSPHOR BRONZE	
472721014	WITHOUT	WITH	THROUGH HOLE PEG	SEE NOTE2(2)	SEE NOTE2(c)	WITH	WITHOUT	WITH	PK-47272-003	FOR SHEET 2	STAINLESS STEEL	



REVISED EC NO: SH2015-0381 DRWNR:RZHANG CHKD: APPR:AYIN 2015/03/19 2015/04/29	QUALITY SYMBOLS $F_A=0$ $F_G=0$ $F_B=0$	GENERAL TOLERANCES (UNLESS SPECIFIED)		DIMENSION STYLE MM ONLY		SCALE 1:1	DESIGN UNITS METRIC	THIRD ANGLE PROJECTION		
				DRAWN BY RZHANG	DATE 2005/07/01	TITLE 1.0MM PITCH DISPLAY PORT RECEPTACLE ASSEMBLY				
				CHECKED BY IWANG	DATE 2005/07/01					
				APPROVED BY RZHANG	DATE 2010/03/26	MOLEX INCORPORATED				
		DRAFT WHERE APPLICABLE MUST REMAIN WITHIN DIMENSIONS		MATERIAL NO. SEE CHART		DOCUMENT NO. SD-47272-001		SHEET NO. 8 OF 8		

9 8 7 6 5 4 3 2 1

Данный компонент на территории Российской Федерации

Вы можете приобрести в компании MosChip.

Для оперативного оформления запроса Вам необходимо перейти по данной ссылке:

<http://moschip.ru/get-element>

Вы можете разместить у нас заказ для любого Вашего проекта, будь то серийное производство или разработка единичного прибора.

В нашем ассортименте представлены ведущие мировые производители активных и пассивных электронных компонентов.

Нашей специализацией является поставка электронной компонентной базы двойного назначения, продукции таких производителей как XILINX, Intel (ex.ALTERA), Vicor, Microchip, Texas Instruments, Analog Devices, Mini-Circuits, Amphenol, Glenair.

Сотрудничество с глобальными дистрибьюторами электронных компонентов, предоставляет возможность заказывать и получать с международных складов практически любой перечень компонентов в оптимальные для Вас сроки.

На всех этапах разработки и производства наши партнеры могут получить квалифицированную поддержку опытных инженеров.

Система менеджмента качества компании отвечает требованиям в соответствии с ГОСТ Р ИСО 9001, ГОСТ РВ 0015-002 и ЭС РД 009

Офис по работе с юридическими лицами:

105318, г.Москва, ул.Щербаковская д.3, офис 1107, 1118, ДЦ «Щербаковский»

Телефон: +7 495 668-12-70 (многоканальный)

Факс: +7 495 668-12-70 (доб.304)

E-mail: info@moschip.ru

Skype отдела продаж:

moschip.ru

moschip.ru_4

moschip.ru_6

moschip.ru_9