

# POWER

## DS3000PE

High Line: 3000 W Low Line: 1350 W

### Data Sheet

#### Distributed Power Bulk Front-end Single Output Standard

#### Total Output Power:

3000 W continuous  
208 Vac to 264 Vac, 3000 W<sup>1</sup>  
90 Vac to 140 Vac, 1350 W

### SPECIAL FEATURES

- 3000 W output power
- High-power and narrow form factor
- 6 units can fit in a 19" inch for a total of 16.2 kW
- High-density design: 24 W/in<sup>3</sup>
- Active Power Factor Correction
- EN61000-3-2 harmonic compliance
- Inrush current control
- 80plus platinum efficiency
- N+1 or N+N redundant
- Hot-pluggable
- Active current sharing
- Full digital control
- PMBus Compliant
- Accurate input power reporting
- Compatible with Artesyn's universal PMBus GUI
- Two-year warranty

### COMPLIANCE

- Conducted/Radiated EMI EN55022 Class A Limits + 6 dB margin
- ROHS

### SAFETY

- UL/cUL
- DEMKO+ CB Report EN60950
- BSMI
- CE Mark
- China CQC



### Electrical Specifications

#### Input

Input Voltage range:	90-140 Vac, 1350 W 208 to 264 Vac <sup>1</sup> , 3000 W
Frequency:	47 Hz to 63 Hz
Efficiency:	94.0% peak
Max Input Current:	17.5 Arms
Inrush Current:	55 Apk
Conducted EMI:	Class A
Radiated EMI:	Class A
Power Factor:	>0.97, typical
ITHD:	10%
Leakage Current:	0.58 mA
Hold-up time:	11 ms

#### Ordering Information

DS3000PE-3	Standard Airflow
DS3000PE-3-001	Reverse Airflow

<sup>1</sup> 2700 W output rating at 180 Vac

## Electrical Specifications

### Output

Main DC Output	MIN	NOM	MAX
Nominal setting:	-0.30%	12	0.30%
Total output regulation range:	11.4 V		12.6 V
Dynamic load regulation range:	11.4 V		12.6 V
Output ripple:			120 mVp-p
Output current:	2 A <sup>4</sup>		250 A <sup>5</sup>
Current sharing:	Within +/-13.8 A of each other		
Capacitive loading:	1,000 uF		15,000 uf
Start-up from AC to output:			2100 ms
Output rise time:	2 ms		60 ms
Standby DC Output			
Nominal setting:	-1%	3.3 V	1%
Total output regulation range:	11.4 V		12.6 V
Dynamic load regulation range:	11.4 V		12.6 V
Output ripple:			120 mVp-p
Output current:	0.5 A		4.5 A
Current sharing:		N/A	
Capacitive loading:	47 uF		560 uf
Start-up from AC to output:			1700 ms
Output rise time:	2 ms		60 ms

### Protections

Main Output			
Over-current protection <sup>2</sup> :	104%		120%
Over-voltage protection <sup>1</sup> :	13.5 V		15.0 V
Under-voltage Protection:	10.5 V		11.0 V
Over-temperature protection:		Yes	
Fan fault protection:		Yes	
Standby Output			
Over-current Protection <sup>4</sup> :	110%		150%
Over-voltage Protection <sup>3</sup> :	13.5 V		15.0 V
Under-voltage Protection:	9.6 V		11.0 V

<sup>1</sup> Latch mode

<sup>2</sup> Autorecovery if the overcurrent is less than 104% and last only for <500 ms.

<sup>3</sup> Standby protection is auto-recovery

<sup>4</sup> Minimum current for transient load response testing only. Unit is designed to operate and be within regulation range at zero load.

<sup>5</sup> Reverse airflow model derates to 231.5 A

## Control and Status Signals

### Input Signals

#### PSON

Active LOW signal which enables/disables the main output. Pulling this signal LOW will turn-on the main output. Recommended pull-up resistor to 12 VSB is 8.2 k with a 3.0 k pull-down to ground. A 100 pF decoupling capacitor is also recommended.

		MIN	MAX
$V_{IL}$	Input logic level LOW		0.8 V
$V_{IH}$	Input logic level HIGH	2.0 V	5.0 V
$I_{SOURCE}$	Current that may be sourced by this pin		2 mA
$I_{SINK}$	Current that may be sunk by this pin at low state		0.5 mA

#### PSKIL

First break/last mate active LOW signal which enables/disables the main output. This signal will have to be pulled to ground at the system side with a 220 ohm resistor. A 100 pF decoupling capacitor is also recommended.

		MIN	MAX
$V_{IL}$	Input logic level LOW		0.8 V
$V_{IH}$	Input logic level HIGH	2.0 V	5.0 V
$I_{SOURCE}$	Current that may be sourced by this pin		2 mA
$I_{SINK}$	Current that may be sunk by this pin at low state		0.5 mA

#### A0, A1, A2

Addressing pins of the power supply for I<sup>2</sup>C communications. Refer to the addressing tables below.

		MIN	MAX
	Internal pull-ups to 3.3V. It is recommended for the system to have pull-ups and decoupling on the address lines for better noise immunity.	R = 22 k ohm	C = 47 pF
$V_{IL}$	Input logic level LOW		0.8 V
$V_{IH}$	Input logic level HIGH	2.0 V	5.0 V
$I_{SOURCE}$	Current that may be sourced by this pin		4 mA
$I_{SINK}$	Current that may be sunk by this pin	4 mA	

### Output Signals

#### ACOK

Signal used to indicate the presence of AC input to the power supply. A logic level HIGH will indicate that the AC input to the power supply is within the operating range while a logic level LOW will indicate that AC has been lost.

This is an open collector/drain output. This pin is pulled high by a 1.0 k ohm resistor connected to 3.3 V inside the power supply. It is recommended that this pin be connected to a 100 pF decoupling capacitor and pulled down by a 100 k ohm resistor.

		MIN	MAX
$V_{IL}$	Output logic level LOW		0.6 V
$V_{IH}$	Output logic level HIGH	2.0 V	5.0 V
$I_{SOURCE}$	Current that may be sourced by this pin		3.3 mA
$I_{SINK}$	Current that may be sunk by this pin at low state		0.7 mA

## Control and Status Signals

### PWR\_GOOD / PWOK

Signal used to indicate that main output voltage is within regulation range. The PWR\_GOOD signal will be driven HIGH when the output voltage is valid and will be driven LOW when the output falls below the under-voltage threshold.

This signal also gives an advance warning when there is an impending power loss due to loss of AC input or system shutdown request. More details in the Timing Section.

This is an open collector/drain output. This pin is pulled high by a 1.0 k ohm resistor connected to 3.3 V inside the power supply. It is recommended that this pin be connected to a 100 pF decoupling capacitor and pulled down by a 10 k ohm resistor.

		MIN	MAX
$V_{IL}$	Output logic level LOW		0.8 V
$V_{IH}$	Output logic level HIGH	2.0 V	5.0 V
$I_{SOURCE}$	Current that may be sourced by this pin		3.3 mA
$I_{SINK}$	Current that may be sunk by this pin at low state		0.7 mA

### PS\_PRESENT

Signal used to indicate to the system that a power supply is inserted in the power bay. Recommended pull-up resistor to 12 VSB is 8.2 k with a 3.0 k pull-down to ground. A 100 pF decoupling capacitor is also recommended.

### PS\_INTERRUPT

Active low signal used by the power supply to indicate to the system that a change in power supply status has occurred. This event can be triggered by faults such as OVP, OCP, OTP, and fan fault. This signal can be cleared by a CLEAR\_FAULT command. Recommended pull-up resistor to 12 VSB is 8.2 k with a 3.0 k pull-down to ground. A 100 pF decoupling capacitor is also recommended.

		MIN	MAX
$V_{IL}$	Output logic level LOW		0.8 V
$V_{IH}$	Output logic level HIGH	2.0 V	5.0 V
$I_{SOURCE}$	Current that may be sourced by this pin		4 mA
$I_{SINK}$	Current that may be sunk by this pin at low state		4 mA

### BUS Signals

#### ISHARE

Bus signal used by the power supply for active current sharing. All power supplies configured in the system for n+n sharing will refer to this bus voltage in order to load share.

Voltage Range	The range of this signal for active sharing will be up to 8.0 V, which corresponds to the maximum output current.		
		MIN	MAX
$I_{SHARE}$ Voltage	Input logic level LOW	7.75	8.25
	Voltage at 50% load, stand-alone unit	3.85	4.15
	Voltage at 0% load, stand-alone unit	0	0.3
$I_{SOURCE}$	Current that may be sourced by this pin		160 mA

#### SCL, SDA

Clock, data and addressing signals defined as per I<sup>2</sup>C requirements. The maximum system side resistor pull-up and decoupling capacitance

		MIN	MAX
$V_L$	Logic level LOW		0.8 V
$V_H$	Logic level HIGH	2.0 V	5.0 V

**Note:** All signal noise levels are below 400 mVpk-pk from 0 - 100 MHz.

### I<sup>2</sup>C Addressing Table

FRU ADDRESSING				PMBus Addressing	
A2	A1	A0	Address	Address	
HIGH	LOW	LOW	0 x A9	0 x B8	
HIGH	LOW	HIGH	0 x AB	0 x BA	
HIGH	HIGH	LOW	0 x AD	0 x BC	
HIGH	HIGH	HIGH	0 x AF*	0 x BE	

\* Default address when A0 and A1 are open

## Electrical Specifications

LED Indicators			
	AC GOOD LED	DC GOOD LED	FAULT LED
Color	GREEN	GREEN	AMBER
No AC input to PSU	Off	Off	Off
AC present, STBY ON, main output OFF	On	Off	Off
Main output ON	On	On	Off
Power supply failure (OVP, OTP, FAN FAULT)	Off	Off	Blinking

## Firmware Reporting And Monitoring

		Accuracy Range	
Output loading	5 to 20%	20 to 50%	50 to 100%
Input voltage	±5%		
Input current	±0.55 A fixed error	±4%	
Input power	±10 W at < 100 W input	±5%	
Output voltage	±2%		
Output current	2.5 A fixed error	±2%	
Temperature	±5 degC on the operating range		
$E_{IN}$	±15% from 10% to 20% load	±5%	
Fan speed	±250 RPM		

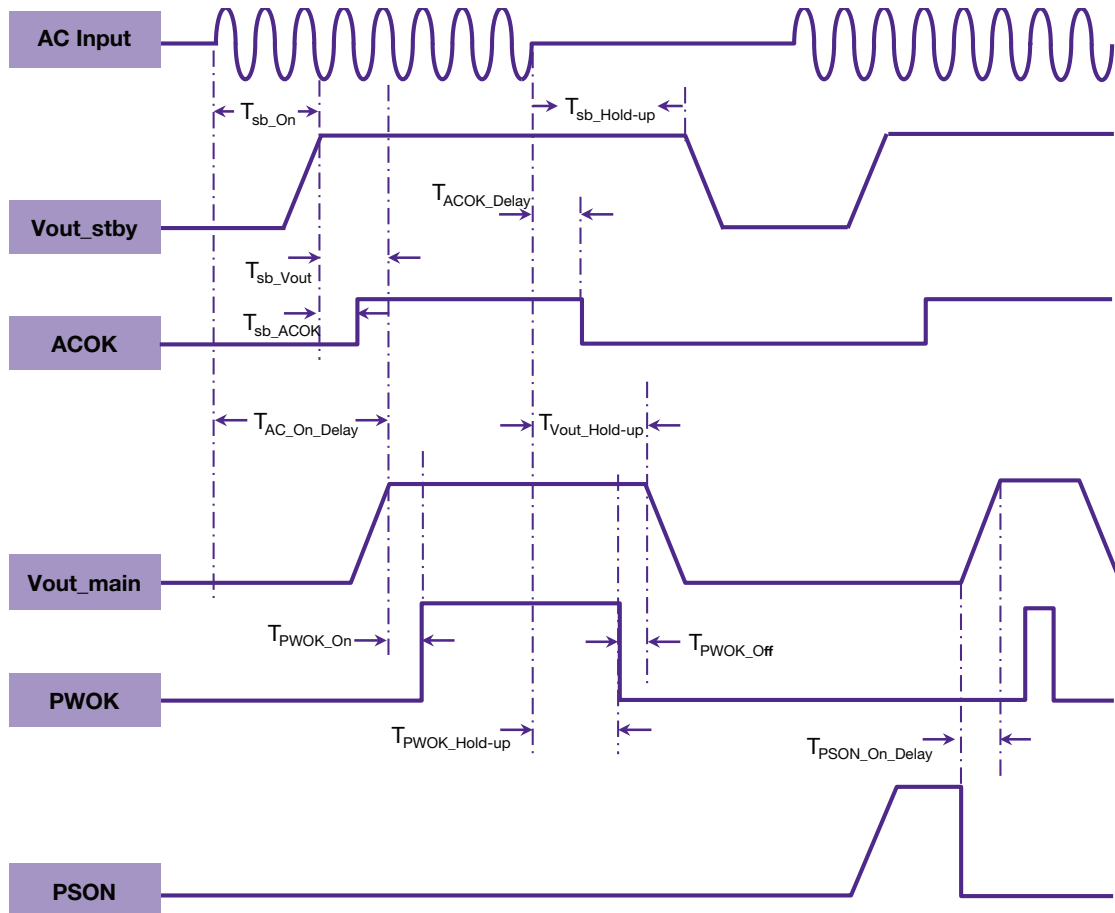
PMBus	YES
Remote ON/OFF	YES

## Timing Specifications

	Description	Min	Max	Unit
$T_{sb\_on}$	Delay from AC being applied to standby output being within regulation	500	2000	ms
$T_{sb\_vout}$	Delay from standby output to main output voltage being within regulation		1200	ms
$T_{sb\_ACOK}$	Delay from standby output to ACOK assertion		40	ms
$T_{ac\_on\_delay}$	Delay from AC being applied to main output being within regulation		2200	ms
$T_{pwok\_on}$	Delay from output voltages within regulation limits to PWOK asserted	100	1200	ms
$T_{acok\_delay}$	Delay from loss of AC to assertion of ACOK		250	ms
$T_{pwok\_hold-up}$	Delay from loss of AC to deassertion of PWOK	10		ms
$T_{vout\_hold-up}$	Delay from loss of AC to main output falling out of regulation	11		ms
$T_{sb\_hold-up}$	Delay from loss of AC to standby output being within regulation	150		ms
$T_{PWR\_GOOD\_Off}$	Delay from deassertion of PWOK to output falling out of regulation	1		ms
$T_{PSON\_On\_delay}$	Delay from PSON assertion to output being within regulation		350	ms



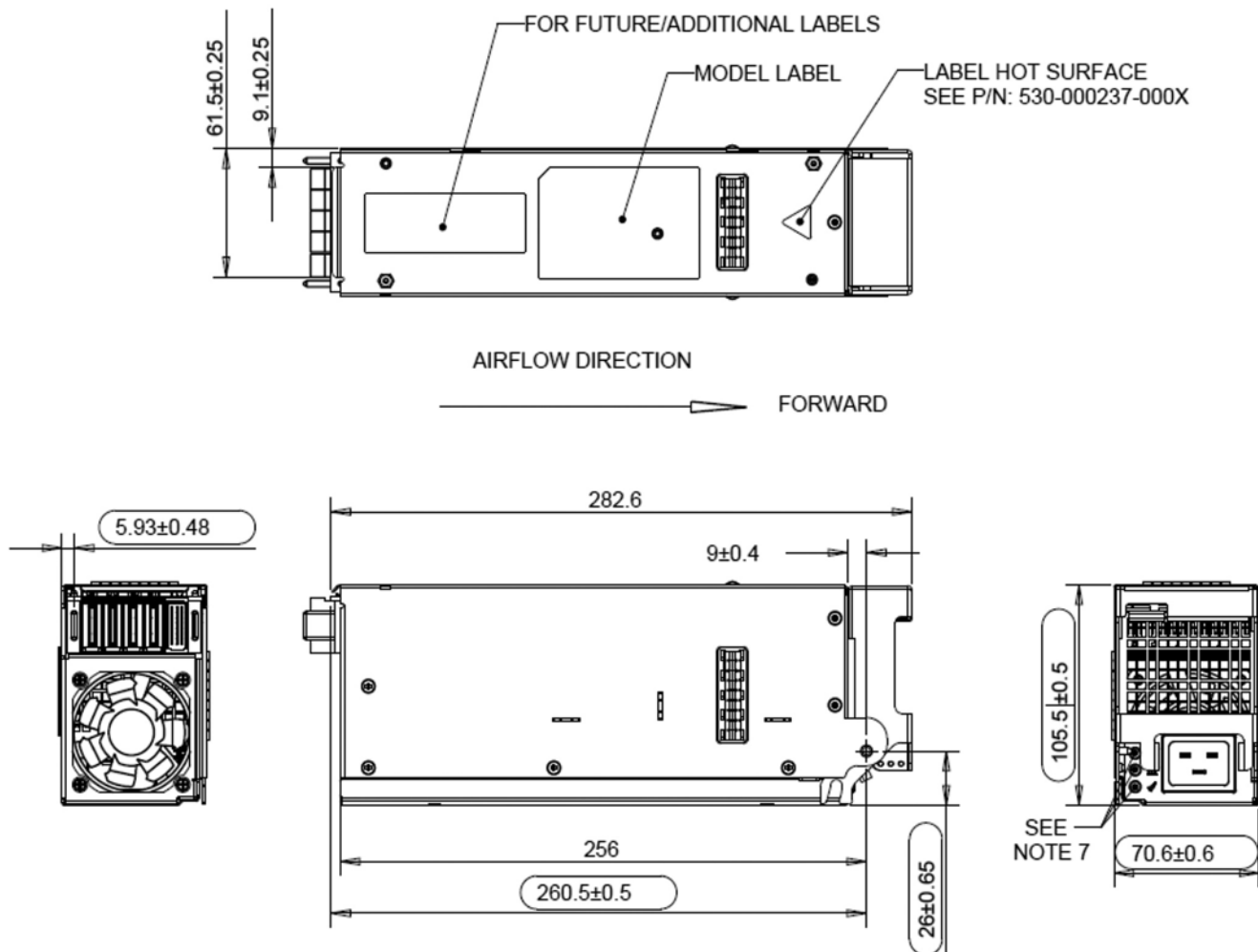
## Timing Diagram



## Environmental Specifications

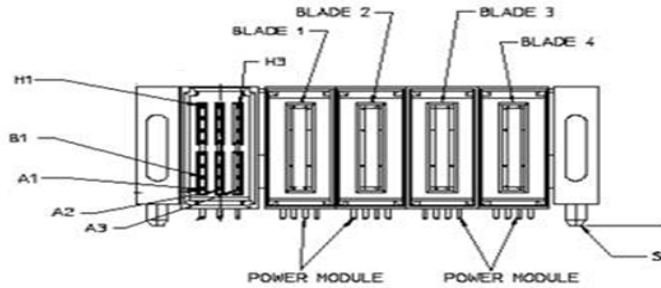
<b>Operating temperature:</b>	Full power from 0 to 40 °C, derate output power by 2.5% per °C from 40 °C to 50 °C
<b>Operating altitude:</b>	up to 10,000 feet
<b>Operating relative humidity:</b>	20% to 80% non-condensing
<b>Non-operating temperature:</b>	-40 to +85 °C
<b>Non-operating relative humidity:</b>	10% to 95% non-condensing
<b>Non-operating altitude:</b>	up to 30,000 feet
<b>Vibration and shock:</b>	Standard operating/non-operating random vibration/shock
<b>ROHS compliance:</b>	Yes
<b>MTBF:</b>	400,000 hours
<b>Operating life:</b>	Minimum of 5 years
<b>Reliability:</b>	All electronic component derating analysis and capacitor life calculation is done at 25 degC ambient, maximum rated load, nominal input line voltage.

## Mechanical Outline



## Connector Definitions

Output Connector Part Number	75555-104
Mating Connector Part Number	75541-104REVB1 or any other Molex recommended part



Pin	Signal Name	Amps per pin <sup>1</sup>
PB1	RETURN	150
PB2	RETURN	150
PB3	12 V	150
PB4	12 V	150
A1	PWR GOOD	N/A
A2	PSKILL	N/A
A3	PRESENT	N/A
B1	RETURN	N/A
B2	ISHARE	N/A
B3	RETURN	N/A
C1	PS_INTERRUPT	N/A
C2	RETURN	N/A
C3	ACOK	N/A
D1	RETURN	N/A
D2	PSON	N/A
D3	RESERVED	N/A
E1	SDA	N/A
E2	SCL	N/A
E3	A0	N/A
F1	RESERVED	N/A
F2	A1	N/A
F3	A2	N/A
G1	RESERVED	N/A
G2	RESERVED	N/A
G3	RESERVED	N/A
H1	12 VSB	2
H2	12 VSB	2
H3	12 VSB	2

## WORLDWIDE OFFICES

### Americas

2900 S.Diablo Way  
Tempe, AZ 85282  
USA  
+1 888 412 7832

### Europe (UK)

Waterfront Business Park  
Merry Hill, Dudley  
West Midlands, DY5 1LX  
United Kingdom  
+44 (0) 1384 842 211

### Asia (HK)

14/F, Lu Plaza  
2 Wing Yip Street  
Kwun Tong, Kowloon  
Hong Kong  
+852 2176 3333

**ARTESYN**<sup>™</sup>  
EMBEDDED TECHNOLOGIES

[www.artesyn.com](http://www.artesyn.com)

While every precaution has been taken to ensure accuracy and completeness in this literature, Artesyn Embedded Technologies assumes no responsibility, and disclaims all liability for damages resulting from use of this information or for any errors or omissions. Artesyn Embedded Technologies, Artesyn and the Artesyn Embedded Technologies logo are trademarks and service marks of Artesyn Embedded Technologies, Inc. All other names and logos referred to are trade names, trademarks, or registered trademarks of their respective owners. © 2014 Artesyn Embedded Technologies, Inc.

For more information: [www.artesyn.com/power](http://www.artesyn.com/power)  
For support: [productsupport.ep@artesyn.com](mailto:productsupport.ep@artesyn.com)



## Данный компонент на территории Российской Федерации

### Вы можете приобрести в компании MosChip.

Для оперативного оформления запроса Вам необходимо перейти по данной ссылке:

<http://moschip.ru/get-element>

Вы можете разместить у нас заказ для любого Вашего проекта, будь то серийное производство или разработка единичного прибора.

В нашем ассортименте представлены ведущие мировые производители активных и пассивных электронных компонентов.

Нашей специализацией является поставка электронной компонентной базы двойного назначения, продукции таких производителей как XILINX, Intel (ex.ALTERA), Vicor, Microchip, Texas Instruments, Analog Devices, Mini-Circuits, Amphenol, Glenair.

Сотрудничество с глобальными дистрибьюторами электронных компонентов, предоставляет возможность заказывать и получать с международных складов практически любой перечень компонентов в оптимальные для Вас сроки.

На всех этапах разработки и производства наши партнеры могут получить квалифицированную поддержку опытных инженеров.

Система менеджмента качества компании отвечает требованиям в соответствии с ГОСТ Р ИСО 9001, ГОСТ РВ 0015-002 и ЭС РД 009

### Офис по работе с юридическими лицами:

105318, г.Москва, ул.Щербаковская д.3, офис 1107, 1118, ДЦ «Щербаковский»

Телефон: +7 495 668-12-70 (многоканальный)

Факс: +7 495 668-12-70 (доб.304)

E-mail: [info@moschip.ru](mailto:info@moschip.ru)

Skype отдела продаж:

moschip.ru

moschip.ru\_4

moschip.ru\_6

moschip.ru\_9