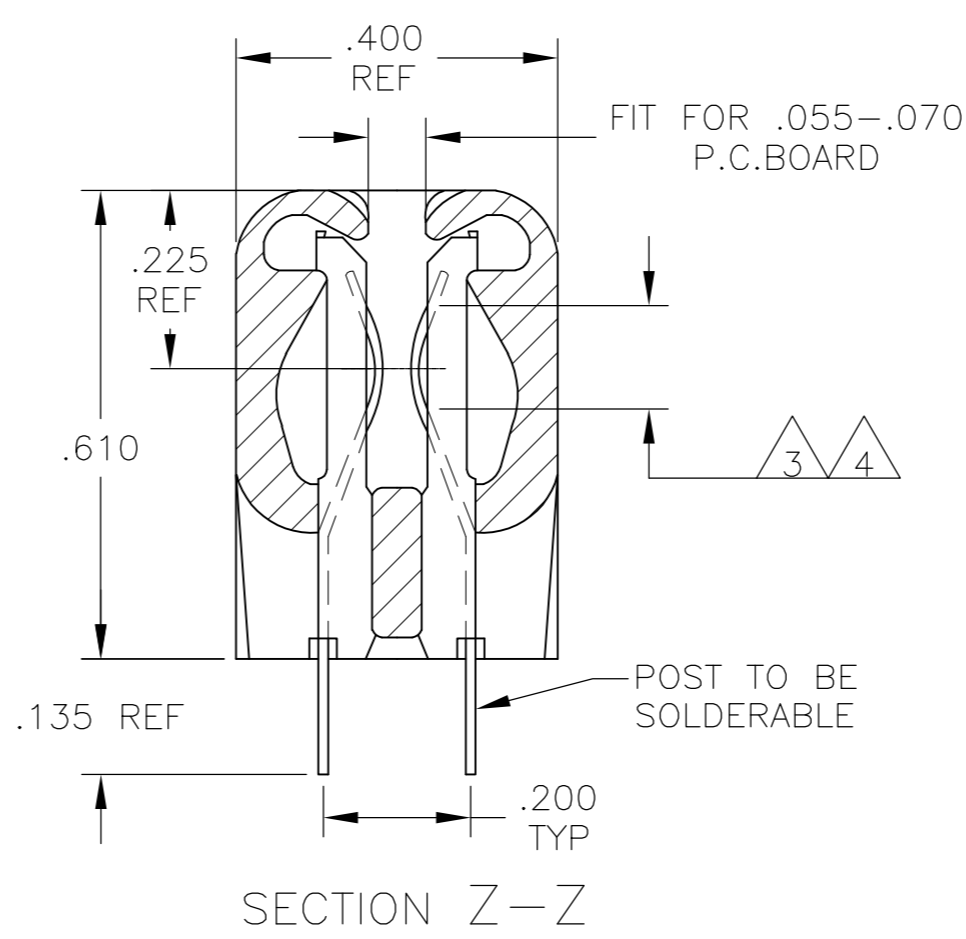
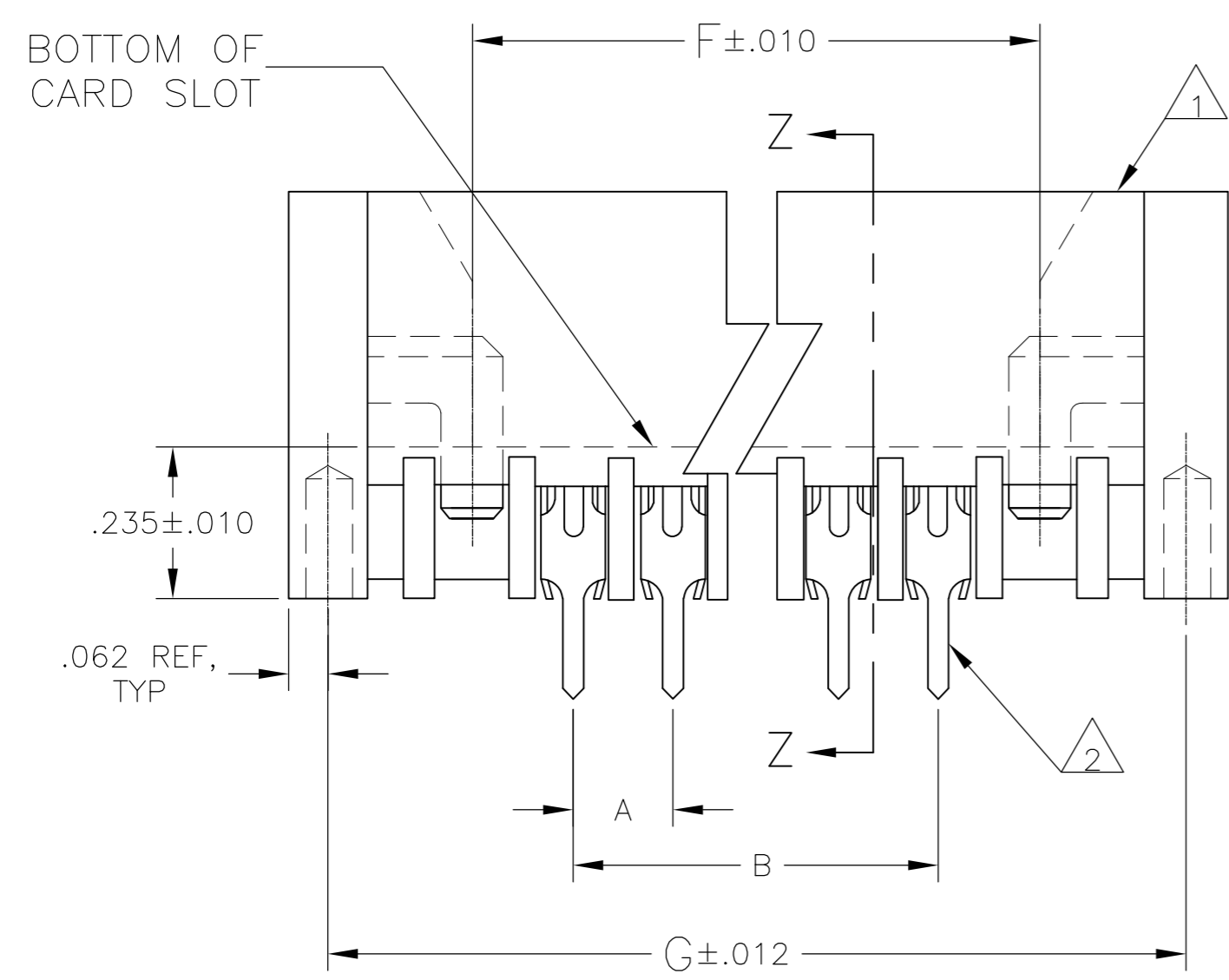


THIS DRAWING IS UNPUBLISHED. RELEASED FOR PUBLICATION
 © COPYRIGHT BY TYCO ELECTRONICS CORPORATION. ALL RIGHTS RESERVED.

LOC	DIST	REVISIONS			
P	LTR	DESCRIPTION	DATE	DWN	APVD
	0	0G3C-0515-04	21JUN2007	RB	MM

- 1 HOUSING MATERIAL: GLASS-FILLED POLYESTER, COLOR-BLACK
- 2 CONTACT MATERIAL: PHOSPHOR BRONZE
- 3 FINISH: .000015 GOLD,SELECTIVE.

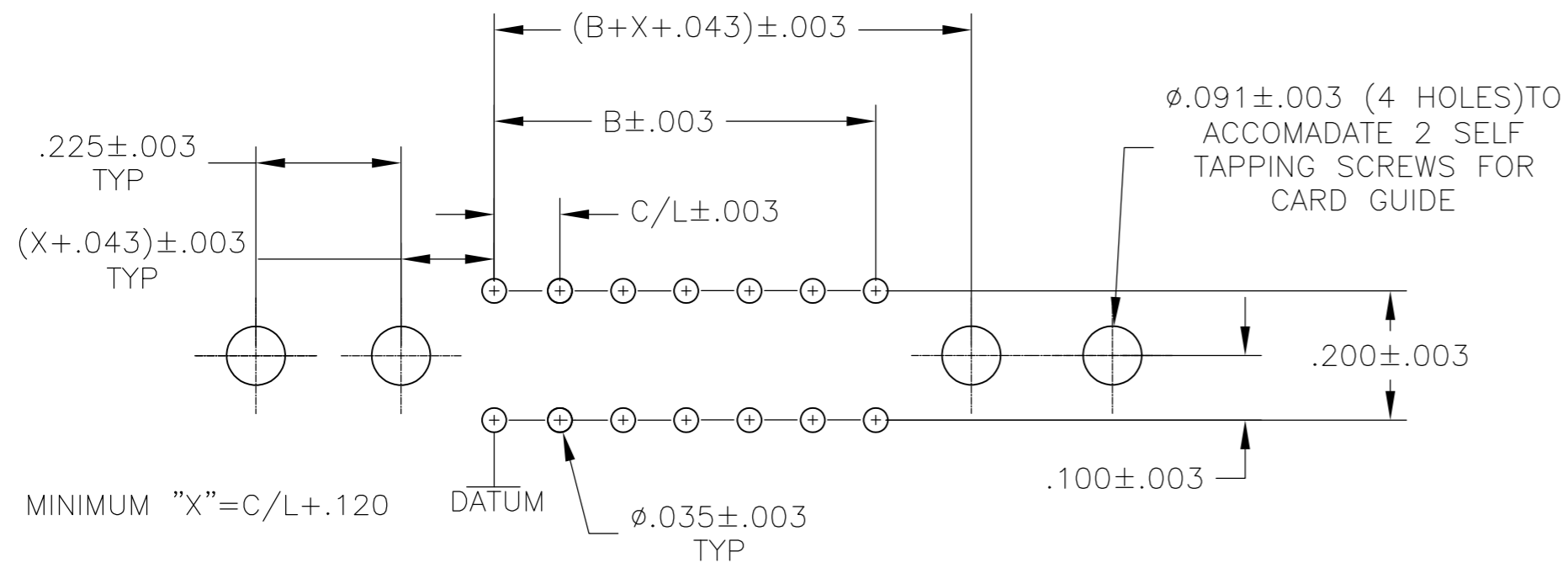


8.402	7.956	7.644	.156	50	4-5583660-8
8.246	7.800	7.488	.156	49	4-5583660-7
8.090	7.644	7.332	.156	48	4-5583660-6
7.934	7.488	7.176	.156	47	4-5583660-5
7.778	7.332	7.020	.156	46	4-5583660-4
7.622	7.176	6.864	.156	45	4-5583660-3
7.466	7.020	6.708	.156	44	4-5583660-2
7.310	6.864	6.552	.156	43	4-5583660-1
7.154	6.708	6.396	.156	42	4-5583660-0
6.998	6.552	6.240	.156	41	3-5583660-9
6.842	6.396	6.084	.156	40	3-5583660-8
6.686	6.240	5.928	.156	39	3-5583660-7
6.530	6.084	5.772	.156	38	3-5583660-6
6.374	5.928	5.616	.156	37	3-5583660-5
6.062	5.616	5.304	.156	35	3-5583660-4
5.906	5.460	5.148	.156	34	3-5583660-3
5.750	5.304	4.992	.156	33	3-5583660-2
5.594	5.148	4.836	.156	32	3-5583660-1
5.438	4.992	4.680	.156	31	3-5583660-0
5.282	4.836	4.524	.156	30	2-5583660-9
5.126	4.680	4.368	.156	29	2-5583660-8
4.970	4.524	4.212	.156	28	2-5583660-7
4.814	4.368	4.056	.156	27	2-5583660-6
4.658	4.212	3.900	.156	26	2-5583660-5
4.502	4.056	3.744	.156	25	2-5583660-4
4.346	3.900	3.588	.156	24	2-5583660-3
4.190	3.744	3.432	.156	23	2-5583660-2
4.034	3.588	3.276	.156	22	2-5583660-1
3.878	3.432	3.120	.156	21	2-5583715-0
3.722	3.276	2.964	.156	20	1-5583660-9
3.566	3.120	2.808	.156	19	1-5583660-8
3.410	2.964	2.652	.156	18	1-5583660-7
3.254	2.808	2.496	.156	17	1-5583660-6
3.098	2.652	2.340	.156	16	1-5583660-5
2.786	2.340	2.028	.156	14	1-5583660-4
2.630	2.184	1.872	.156	13	1-5583660-3
2.474	2.028	1.716	.156	12	1-5583660-2
2.378	1.872	1.560	.156	11	1-5583660-1
2.162	1.716	1.404	.156	10	1-5583660-0
2.006	1.560	1.248	.156	9	5583660-9
1.850	1.404	1.092	.156	8	5583660-8
1.694	1.248	.936	.156	7	5583660-7
1.538	1.092	.780	.156	6	5583660-6
1.382	.936	.624	.156	5	5583660-5
1.226	.780	.468	.156	4	5583660-4
1.070	.624	.312	.156	3	5583660-3
2.942	2.496	2.184	.156	15	5583660-2
6.218	5.772	5.460	.156	36	5583660-1
G	F	B	A	NO OF POSN	PART NO

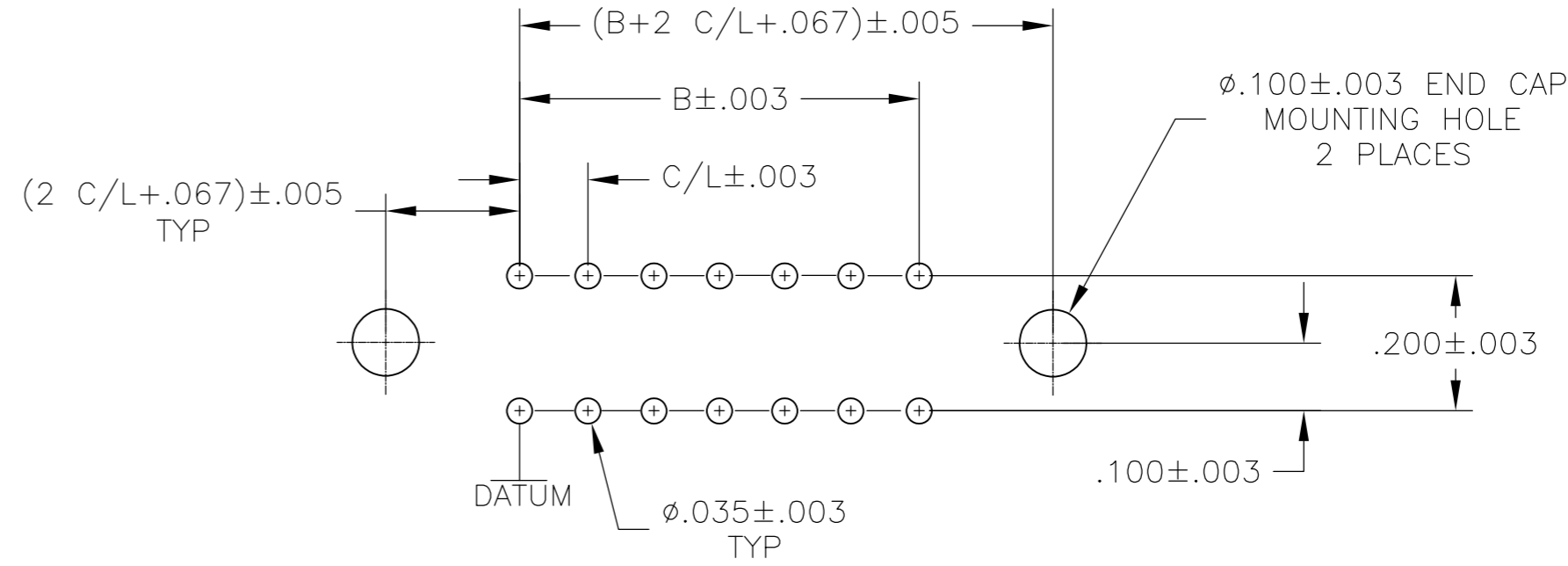
THIS DRAWING IS A CONTROLLED DOCUMENT.		DWN	21JUN2007	Tyco Electronics Corporation Harrisburg, Pa 17105-3608	
DIMENSIONS: INCHES		CHK	21JUN2007	Tyco Electronics Corporation	
TOLERANCES UNLESS OTHERWISE SPECIFIED:		APVD	21JUN2007	ASSEMBLY, TWIN LEAF, .156 C/L .010 X .024 SOLDER TYPE POST, END CAP VERSION	
0 PLC ± -		PRODUCT SPEC		-	
1 PLC ± -		APPLICATION SPEC		-	
2 PLC ± -		WEIGHT	-	-	
3 PLC ± .005		SCALE	A2 00779	C=5583660	
4 PLC ± -		CUSTOMER DRAWING	SCALE 4:1	SHEET 1 OF 2	
ANGLES ± -		REV		0	
FINISH					

THIS DRAWING IS UNPUBLISHED. RELEASED FOR PUBLICATION
 © COPYRIGHT BY TYCO ELECTRONICS CORPORATION. ALL RIGHTS RESERVED.

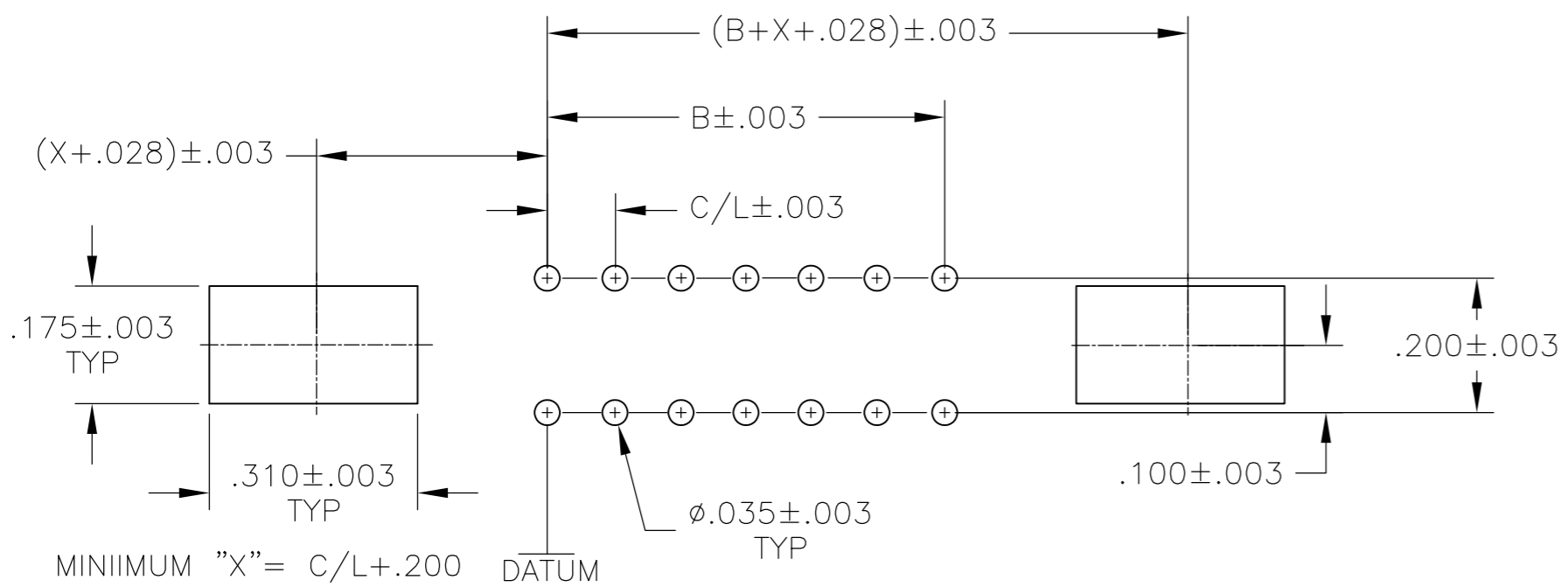
LOC	DIST	REVISIONS					
AD	00	P	LTR	DESCRIPTION	DATE	DWN	APVD
		-	-	SEE SHEET 1	-	-	-



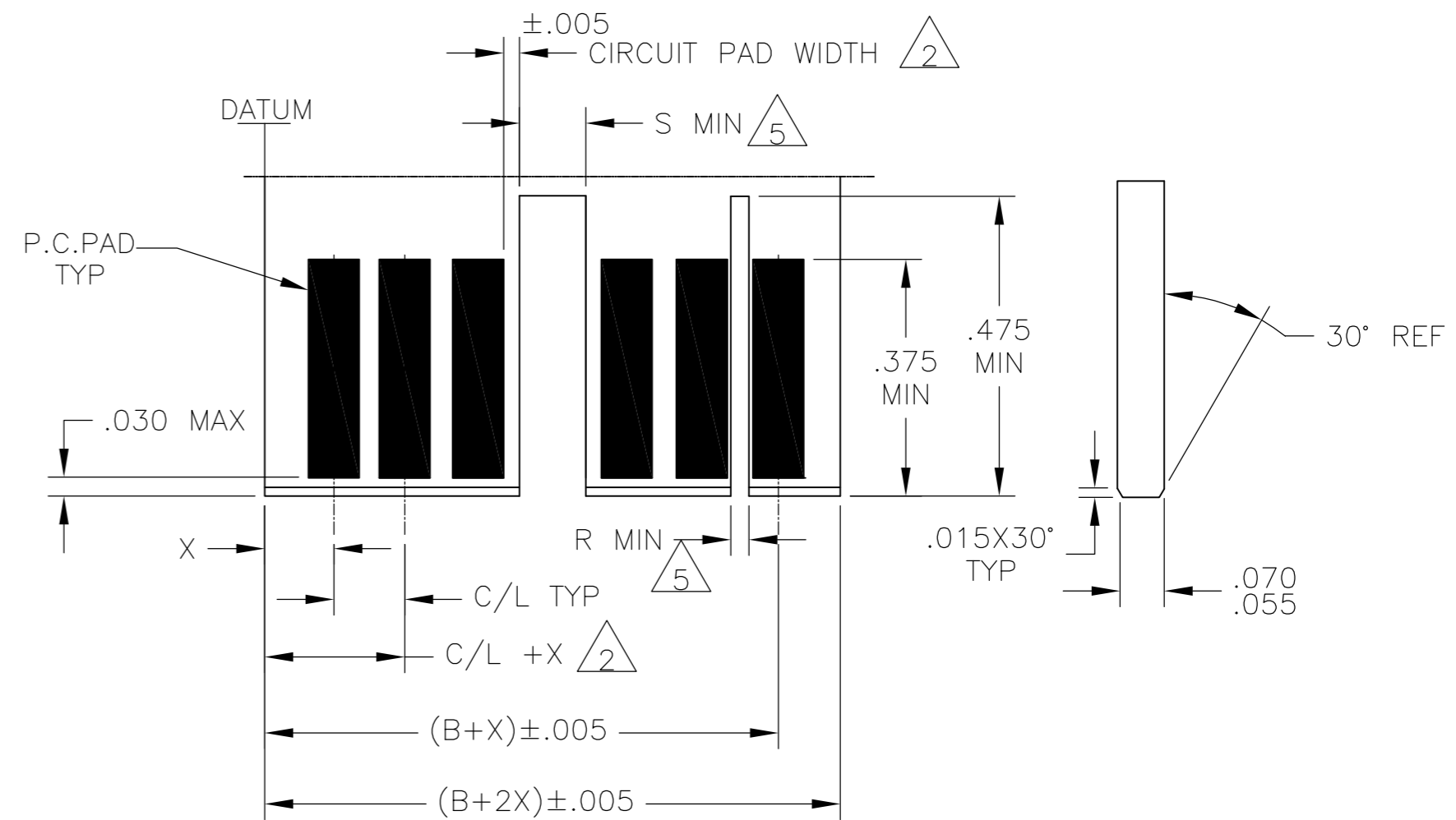
BOARD LAYOUT USE WITH AMP CARD GUIDE PART NO.583671



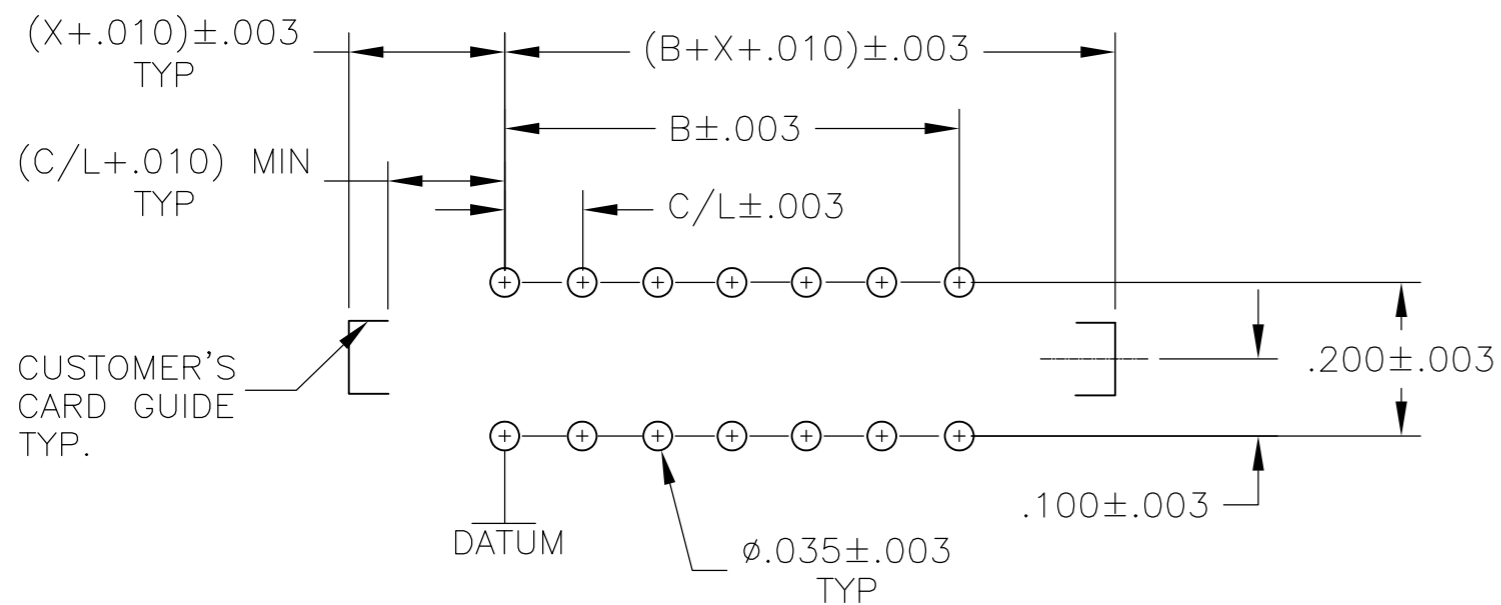
BOARD LAYOUT USE WITH END CAP



BOARD LAYOUT USE WITH AMP CARD GUIDE PART NO.583408 OR 583425



DAUGHTER BOARD LAYOUT



BOARD LAYOUT USE WITH CUSTOMER SUPPLIED CARD GUIDE

1. MAX ALLOWABLE WARPAGE OF MOTHER BOARD NOT TO EXCEED .005/IN. MAX.ALLOWABLE BOW OF DAUGHTER BOARD NOT TO EXCEED .010/IN. THICKNESS OF MOTHER BOARD IS .062 FOR DOUBLE SLOTTED CARD GUIDES AND .104 MAX. FOR ALL OTHER MOUNTING CONDITIONS.
2. EACH PAD LOCATION INCREASES BY C/L±.005 WITH A NON-CUMULATIVE TOLERANCE OF ±.005
CIRCUIT PAD WIDTH -.045 FOR .100 C/L, .072 FOR .125 C/L, .072 FOR .150 C/L .080 FOR .156 C/L
DIMENSIONS APPLY TO BOTH SIDES OF DAUGHTER BOARD.
3. C/L INCREMENTS ON MOTHER BOARD HAVE ±.003 NON-CUMULATIVE TOLERANCE.
4. "X" IS A CUSTOMER CONTROLLED DIMENSION EXCEPT FOR END CAP ASSEMBLIES WHERE "X" = C/L - .008
5. THE SLOT FOR INTER-CONTACT KEYING PLUGS MUST BE CENTERED BETWEEN THE PRINTED CIRCUIT PADS, WHILE THE SLOT FOR ON-CONTACT KEYING PLUGS MUST BE CENTERED ON THE AREA OF A PRINTED CIRCUIT PAD.

INTER-CONTACT KEYING PLUG	"R"	FOR CENTER LINE SPACING
530030-1	.050	.125-.150-.156
530030-2	.040	.100

ON CONTACT KEYING PLUG	"S"	FOR CENTER LINE SPACING
583714-1	.129	.100-.125
583714-2	.160	.150-.156

THIS DRAWING IS A CONTROLLED DOCUMENT.		DWN R BROWN 21JUN2007	Tyco Electronics Corporation Tyco Electronics Corporation Harrisburg, Pa 17105-3608	
DIMENSIONS: INCHES		CHK M MILLER 21JUN2007	NAME ASSEMBLY, TWIN LEAF, .100 C/L .010 X .024 SOLDER TYPE POST, END CAP VERSION	
TOLERANCES UNLESS OTHERWISE SPECIFIED:		APVD M MILLER 21JUN2007	SIZE CAGE CODE DRAWING NO RESTRICTED TO	
0 PLC ± -		PRODUCT SPEC	A2 00779 C=5583660	
1 PLC ± -		APPLICATION SPEC	WEIGHT -	
2 PLC ± -			SCALE 4:1 SHEET 2 OF 2 REV 0	
3 PLC ± -				
4 PLC ± -				
ANGLES ± -				
FINISH -				
MATERIAL -				

Данный компонент на территории Российской Федерации

Вы можете приобрести в компании MosChip.

Для оперативного оформления запроса Вам необходимо перейти по данной ссылке:

<http://moschip.ru/get-element>

Вы можете разместить у нас заказ для любого Вашего проекта, будь то серийное производство или разработка единичного прибора.

В нашем ассортименте представлены ведущие мировые производители активных и пассивных электронных компонентов.

Нашей специализацией является поставка электронной компонентной базы двойного назначения, продукции таких производителей как XILINX, Intel (ex.ALTERA), Vicor, Microchip, Texas Instruments, Analog Devices, Mini-Circuits, Amphenol, Glenair.

Сотрудничество с глобальными дистрибьюторами электронных компонентов, предоставляет возможность заказывать и получать с международных складов практически любой перечень компонентов в оптимальные для Вас сроки.

На всех этапах разработки и производства наши партнеры могут получить квалифицированную поддержку опытных инженеров.

Система менеджмента качества компании отвечает требованиям в соответствии с ГОСТ Р ИСО 9001, ГОСТ РВ 0015-002 и ЭС РД 009

Офис по работе с юридическими лицами:

105318, г.Москва, ул.Щербаковская д.3, офис 1107, 1118, ДЦ «Щербаковский»

Телефон: +7 495 668-12-70 (многоканальный)

Факс: +7 495 668-12-70 (доб.304)

E-mail: info@moschip.ru

Skype отдела продаж:

moschip.ru

moschip.ru_4

moschip.ru_6

moschip.ru_9