

3M™ Textool™ BGA Test & Burn-In Sockets

1.00 mm, Types 0, I, II and III Open Top



- Double-beam normally-closed contact delivers balanced, opposing forces to solder ball with minimal shear stress
- Contact tips touch ball above its center plane producing only slight indentations and minimal ball deformation
- Allows excellent air flow around device
- Includes a retractable locating guide for easy board mounting even with hundreds of leads
- Compatible with most robotic handlers while it provides easy manual operation
- Accepts package body sizes up to 29 mm square with a maximum matrix of 27 x 27
- RoHS* compliant

Date Modified: June 16, 2005

TS-9300-08
Sheet 1 of 5

Physical

Body Material:	Polyethersulfone (PES)
Flammability:	UL 94V-0
Color:	Black
Alignment Plate Material:	Liquid Crystal Polymer (LCP)
Flammability:	UL 94V-0
Color:	Black
Contact Material:	Beryllium Copper
Plating:	30μ" (0.76 μm) Gold over 50μ" (1.3 μm) Nickel
Other Metal Parts:	Stainless Steel

Electrical

Insulation Resistance:	>1000MΩ at 500 Vdc
Withstanding Voltage:	500 Vrms at sea level
Initial Contact Resistance:	<50mΩ measured at 1.0 mA applied current
Current Rating:	1.0 A max @ 25°C

Environmental

Operating Temperature Rating: -55°C to +150°C

Mechanical

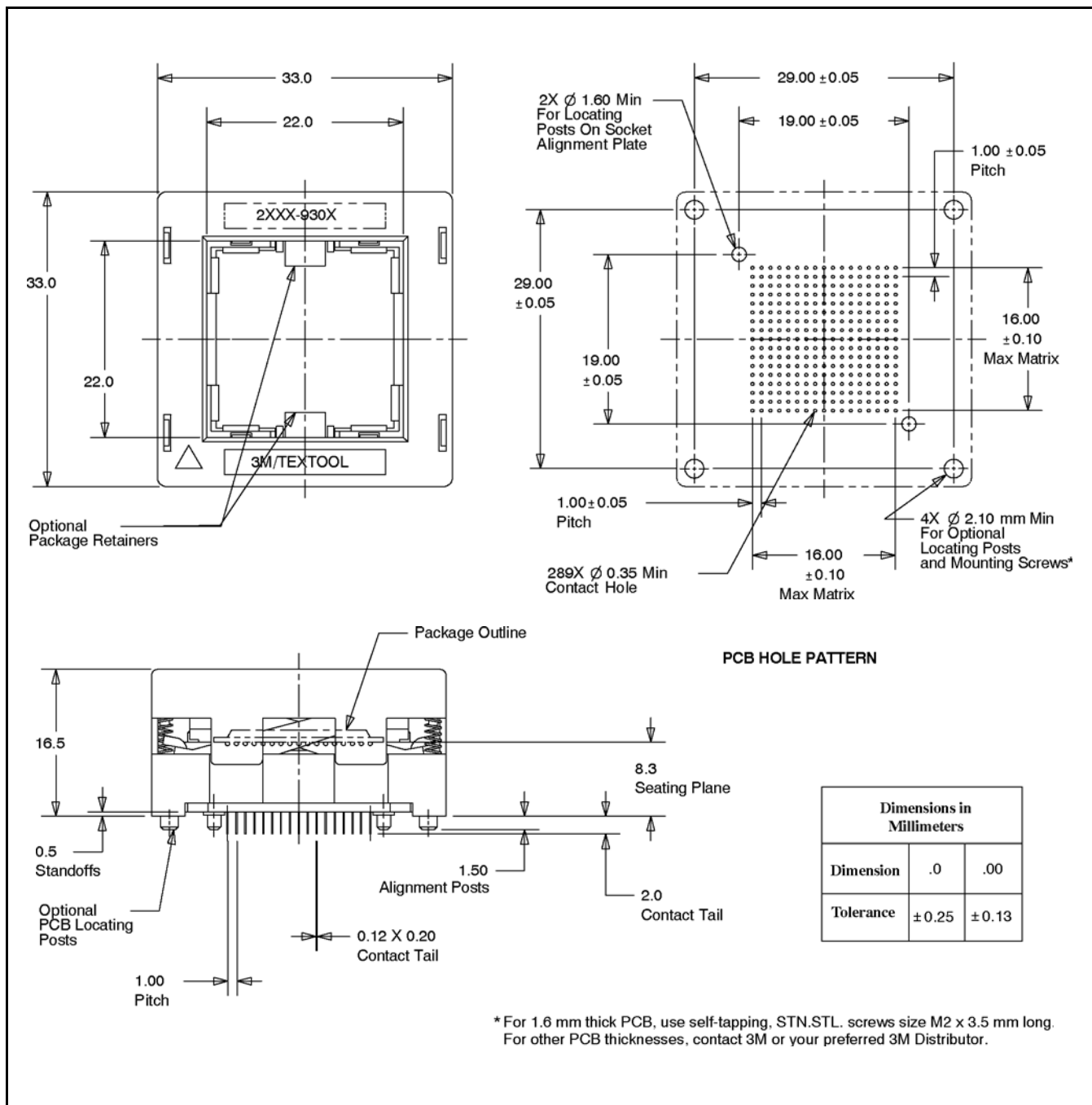
Durability:	20,000 actuations (10,000 devices load/unload) at room temperature
Initial Contact Force:	17 gf (0.17N) Nom for 0.6 mm diameter solder ball 14 gf (0.14N) Nom for 0.5 mm diameter solder ball
Initial Actuation Force:	Type II-5Kgf @ full pin count
Contact Wiper Gap - Fully Open:	0.85 mm Nom

* RoHS = Directive 2002/95/EC, Restriction of the Use of Certain Hazardous Substances in Electrical and Electronic Equipment
"RoHS compliant" means that the product or part does not contain any of the following substances in excess of the following maximum concentration values in any homogeneous material, unless the substance is in an application that is exempt under RoHS: (a) 0.1% (by weight) for lead, mercury, hexavalent chromium, polybrominated biphenyls or polybrominated diphenyl ethers; or (b) 0.01% (by weight) for cadmium. Unless otherwise stated by 3M in writing, this information represents 3M's knowledge and belief based upon information provided by third party suppliers to 3M.

3M™ Textool™ BGA Test & Burn-In Sockets

1.00 mm, Types 0, I, II and III Open Top

Type 0



Package Specifications

Max Package Size: 19.0 mm ± 0.1 mm SQ Max

Max Matrix: 17 × 17

Ball Diameter: 0.40 mm - 0.70 mm

Ball Height: 0.40 mm Min

P.C.B. Recommendations

Board Thickness: 1.6 mm

Through Hole Diameter 0.35 mm Min

TS-9300-08
Sheet 2 of 5



Interconnect Solutions

<http://www.3M.com/interconnects/>

3M and Textool are trademarks of 3M Company.

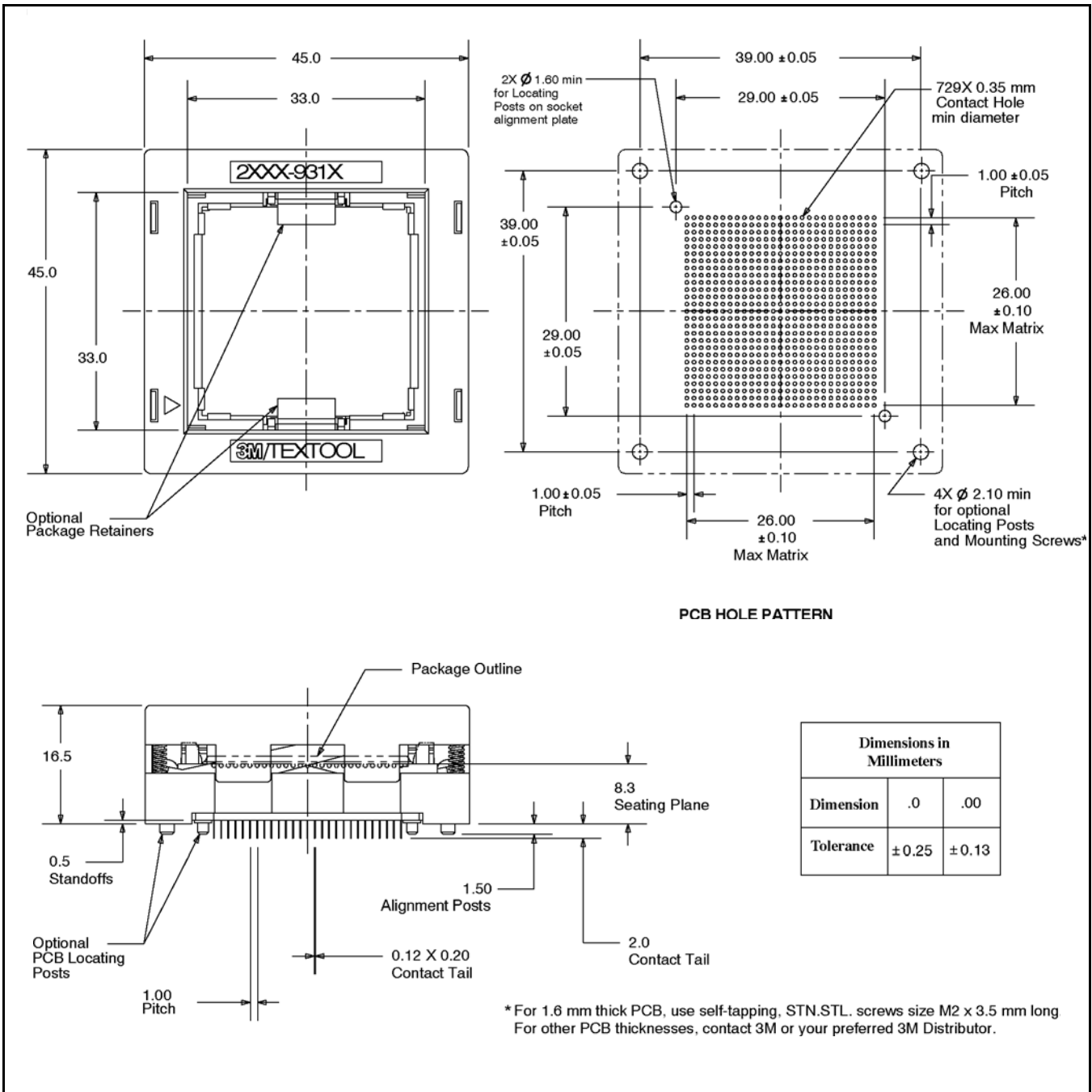
For technical, sales or ordering information call

800-225-5373

3M™ Textool™ BGA Test & Burn-In Sockets

1.00 mm, Types 0, I, II and III Open Top

Type I



Package Specifications

Max Package Size: 29 mm ± 0.1 mm SQ Max

Max Matrix: 27 × 27 Max

Ball Diameter: 0.40 mm - 0.70 mm

Ball Height: 0.40 mm Min

P.C.B. Recommendations

Board Thickness: 1.6 mm

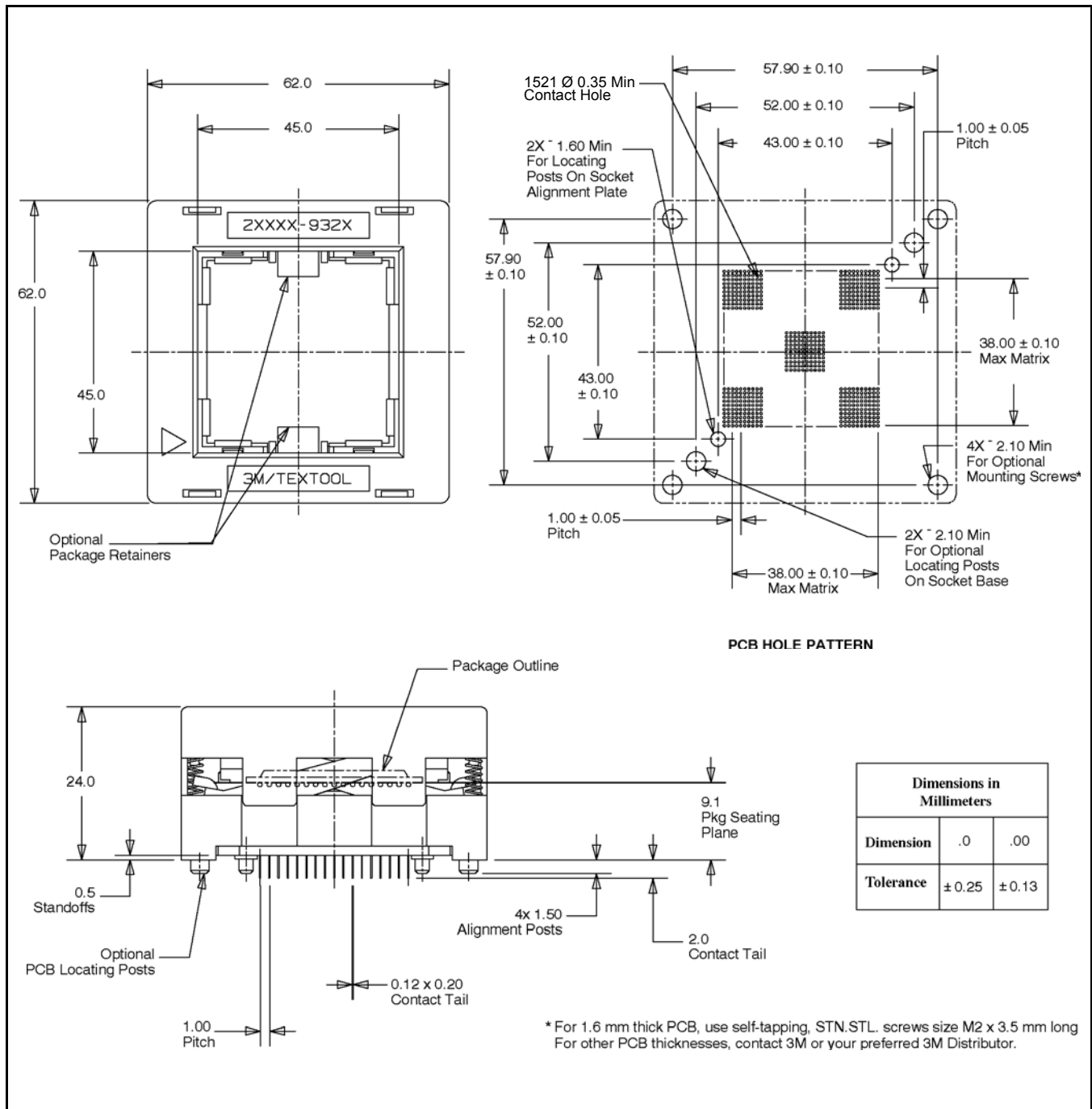
Through Hole Diameter 0.35 mm Min

TS-9300-08
Sheet 3 of 5

3M™ Textool™ BGA Test & Burn-In Sockets

1.00 mm, Types 0, I, II and III Open Top

Type II



Package Specifications

Max Package Size: 40.0 mm ± 0.1 mm SQ Max

Max Matrix: 39 × 39

Ball Diameter: 0.40 mm - 0.70 mm

Ball Height: 0.40 mm Min

P.C.B. Recommendations

Board Thickness: 1.6 mm

Through Hole Diameter 0.35 mm Min

TS-9300-08
Sheet 4 of 5



Interconnect Solutions

<http://www.3M.com/interconnects/>

3M and Textool are trademarks of 3M Company.

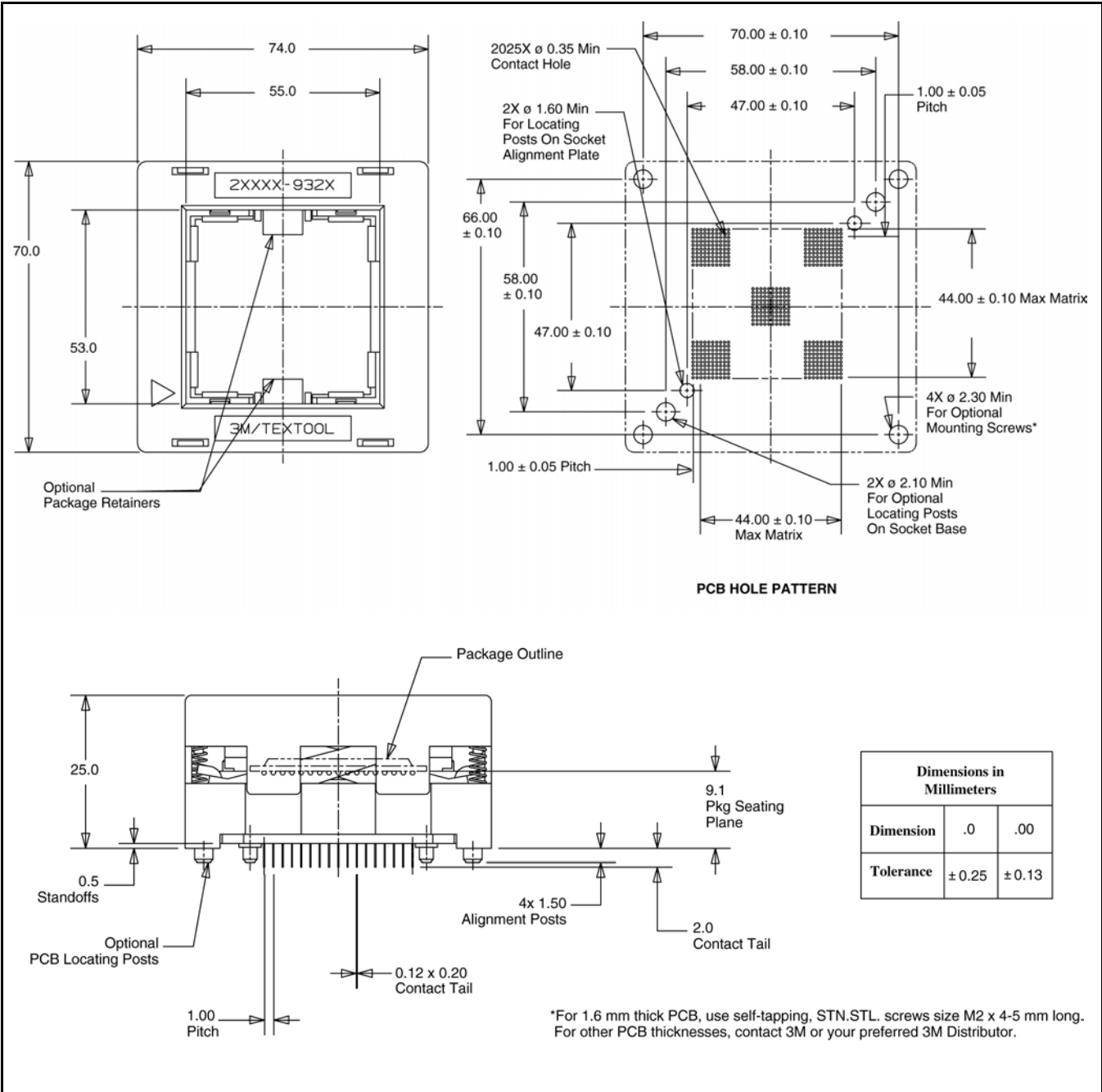
For technical, sales or ordering information call

800-225-5373

3M™ Textool™ BGA Test & Burn-In Sockets

1.00 mm, Types 0, I, II and III Open Top

Type III



Package Specifications

Max Package Size: 47.5 mm ± 0.1 mm SQ Max

Max Matrix: 45 × 45

Ball Diameter: 0.50 mm - 0.70 mm

Ball Height: 0.40 mm Min

P.C.B. Recommendations

Board Thickness: 1.6 mm

Through Hole Diameter 0.35 mm Min

TS-9300-08
Sheet 5 of 5

Important Notice

All statements, technical information, and recommendations related to 3M's products are based on information believed to be reliable, but the accuracy or completeness is not guaranteed. Before using this product, you must evaluate it and determine if it is suitable for your intended application. You assume all risks and liability associated with such use. Any statements related to the product which are not contained in 3M's current publications, or any contrary statements contained on your purchase order shall have no force or effect unless expressly agreed upon, in writing, by an authorized officer of 3M.

3M

Electronics

6801 River Place Blvd.
Austin, TX 78726-9000
800/328-1368
www.3M.com/electronics

Warranty; Limited Remedy; Limited Liability.

This product will be free from defects in material and manufacture for a period of one (1) year from the time of purchase. **3M MAKES NO OTHER WARRANTIES INCLUDING, BUT NOT LIMITED TO, ANY IMPLIED WARRANTY OF MERCHANTABILITY OR FITNESS FOR A PARTICULAR PURPOSE.** If this product is defective within the warranty period stated above, your exclusive remedy shall be, at 3M's option, to replace or repair the 3M product or refund the purchase price of the 3M product. **Except where prohibited by law, 3M will not be liable for any indirect, special, incidental or consequential loss or damage arising from this 3M product, regardless of the legal theory asserted.**



*Minimum 10%
Post-Consumer Fiber*

Printed in USA.

© 3M 2005

Данный компонент на территории Российской Федерации

Вы можете приобрести в компании MosChip.

Для оперативного оформления запроса Вам необходимо перейти по данной ссылке:

<http://moschip.ru/get-element>

Вы можете разместить у нас заказ для любого Вашего проекта, будь то серийное производство или разработка единичного прибора.

В нашем ассортименте представлены ведущие мировые производители активных и пассивных электронных компонентов.

Нашей специализацией является поставка электронной компонентной базы двойного назначения, продукции таких производителей как XILINX, Intel (ex.ALTERA), Vicor, Microchip, Texas Instruments, Analog Devices, Mini-Circuits, Amphenol, Glenair.

Сотрудничество с глобальными дистрибьюторами электронных компонентов, предоставляет возможность заказывать и получать с международных складов практически любой перечень компонентов в оптимальные для Вас сроки.

На всех этапах разработки и производства наши партнеры могут получить квалифицированную поддержку опытных инженеров.

Система менеджмента качества компании отвечает требованиям в соответствии с ГОСТ Р ИСО 9001, ГОСТ РВ 0015-002 и ЭС РД 009

Офис по работе с юридическими лицами:

105318, г.Москва, ул.Щербаковская д.3, офис 1107, 1118, ДЦ «Щербаковский»

Телефон: +7 495 668-12-70 (многоканальный)

Факс: +7 495 668-12-70 (доб.304)

E-mail: info@moschip.ru

Skype отдела продаж:

moschip.ru

moschip.ru_4

moschip.ru_6

moschip.ru_9