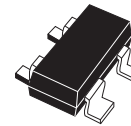

Open drain microprocessor reset

Features

- Low supply current of 1.5 μ A (typ)
- $\pm 1.8\%$ reset threshold accuracy (25 $^{\circ}$ C)
- Guaranteed $\overline{\text{RST}}$ assertion down to $V_{\text{CC}} = 1.0\text{V}$
- Open drain $\overline{\text{RST}}$ output can exceed V_{CC}
- Power supply transient immunity
- Operating temperature: -40 to $+125^{\circ}\text{C}$
- Available in SOT143-4 package.



SOT143-4 (W1)

Contents

1	Summary description	5
2	Operation	7
2.1	Reset output	7
2.2	Manual reset input	7
2.3	Negative-going V_{CC} transients	7
2.4	Valid \overline{RST} output down to $V_{CC} = 0V$	8
3	Typical operating characteristics	9
4	Maximum rating	12
5	DC and AC parameters	13
6	Package mechanical data	16
7	Part numbering	18
8	Revision history	20

List of tables

Table 1.	Signal names	5
Table 2.	Absolute maximum ratings	12
Table 3.	Operating and AC measurement conditions	13
Table 4.	DC and AC characteristics	14
Table 5.	SOT143-4 – 4-lead small outline transistor package mechanical data	17
Table 6.	Ordering information scheme	18
Table 7.	Marking description	19
Table 8.	Document revision history	20

List of figures

Figure 1.	Logic diagram	5
Figure 2.	SOT143-4 connections (top view)	5
Figure 3.	Block diagram	6
Figure 4.	Hardware hookup	6
Figure 5.	Reset timing diagram	8
Figure 6.	Manual reset timing diagram, switch bounce/debounce	8
Figure 7.	Supply current vs. supply voltage, $V_{RST} = 2.63V$	9
Figure 8.	Supply current vs. temperature (no load), $V_{RST} = 2.63V$	9
Figure 9.	\overline{RST} output voltage vs. output current, $V_{CC} = 4.25V$	10
Figure 10.	Normalized reset time-out period vs. temperature	10
Figure 11.	Normalized reset threshold vs. temperature	11
Figure 12.	Max. transient duration not causing reset pulse vs. reset threshold Overdrive	11
Figure 13.	AC testing input/output waveforms	13
Figure 14.	SOT143-4 – 4-lead small outline transistor package outline	17

1 Summary description

The STM6315 Microprocessor Reset Circuit is a low power supervisory device used to monitor power supplies. It performs a single function: asserting a reset signal whenever the V_{CC} supply voltage drops below a preset value and keeping it asserted until V_{CC} has risen above the preset threshold for a minimum period of time (t_{rec}). It also provides a manual reset input (\overline{MR}). The open drain \overline{RST} output can be pulled up to a voltage higher than V_{CC} , but less than 6V.

The STM6315 comes with standard factory-trimmed reset thresholds of 2.63V, 2.93V, 3.08V, 4.38V, and 4.63V. The STM6315 is available in the SOT143-4 package.

Figure 1. Logic diagram

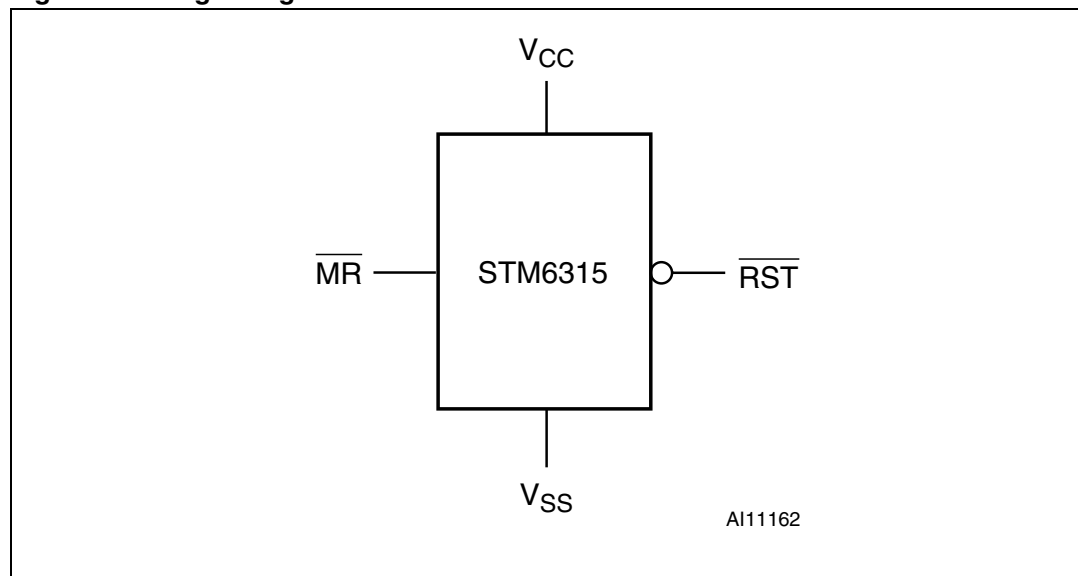


Table 1. Signal names

Symbol	Description
V_{CC}	Supply voltage
\overline{MR}	Manual reset input
\overline{RST}	Active-low open drain reset output
V_{SS}	Ground

Figure 2. SOT143-4 connections (top view)

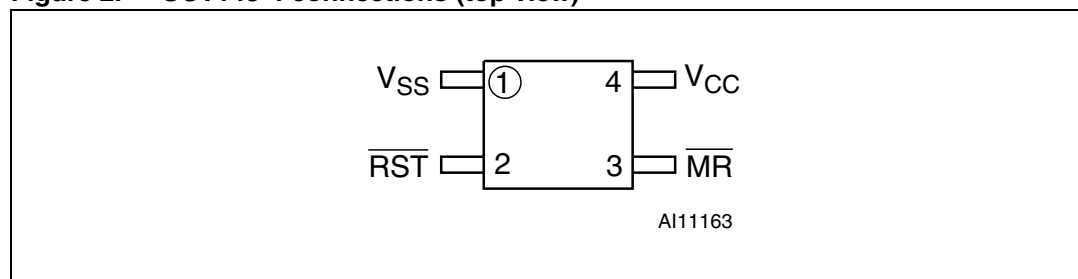


Figure 3. Block diagram

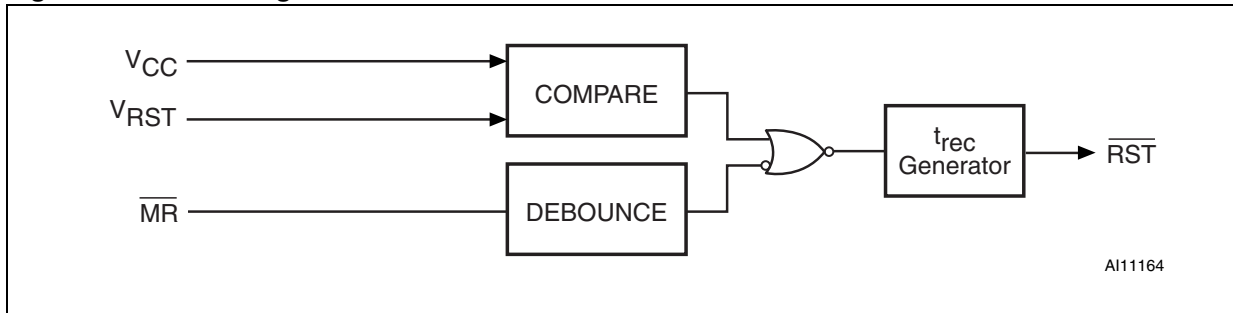
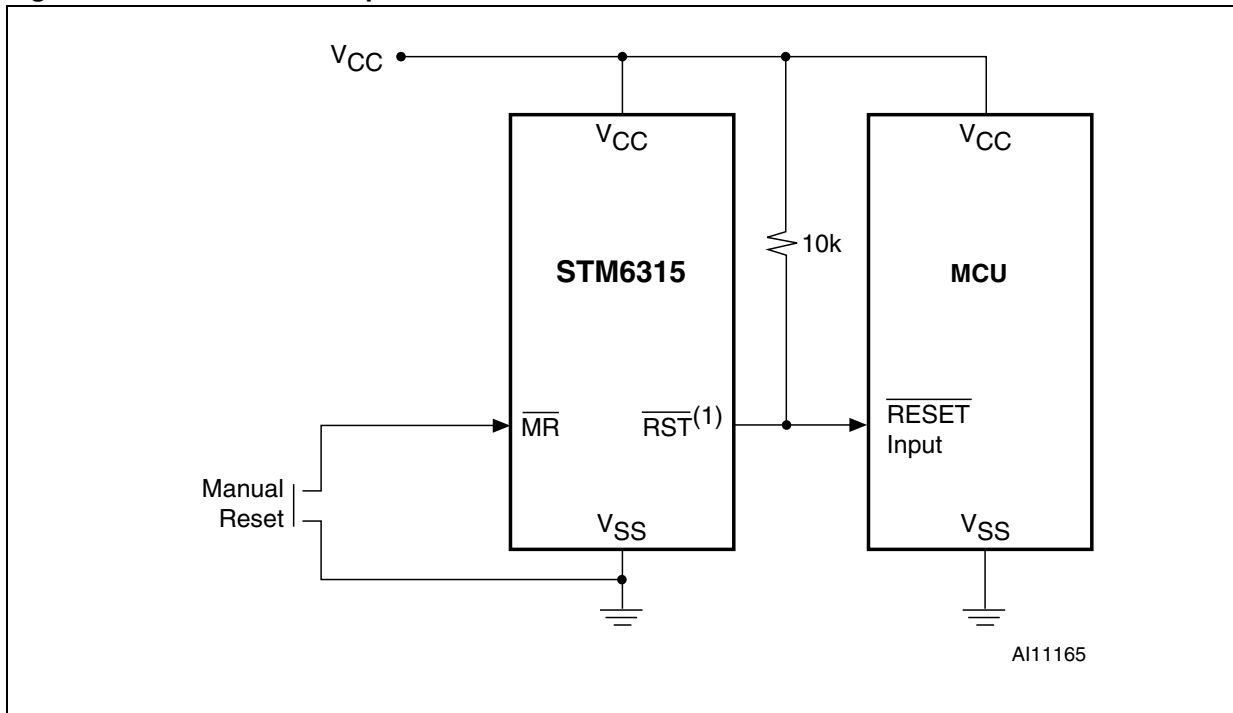


Figure 4. Hardware hookup



1. Open drain \overline{RST} output requires external pull-up resistor.

2 Operation

2.1 Reset output

The STM6315 Microprocessor Reset Circuit has an active-low, open drain reset output. This output structure will sink current when \overline{RST} is asserted. Connect a pull-up resistor from \overline{RST} to any supply voltage up to 6V (see [Figure 4 on page 6](#)). Select a resistor value large enough to register a logic low, and small enough to register a logic high while supplying all input current and leakage paths connected to the reset output line. A 10k pull-up is sufficient in most applications.

The STM6315 asserts a reset signal to the MCU whenever V_{CC} goes below the reset threshold (V_{RST}), or when the manual reset input (\overline{MR}) is taken low (see [Figure 5](#) and [Figure 6 on page 8](#)). \overline{RST} is guaranteed valid down to $V_{CC} = 1.0V$.

During power-up, (once V_{CC} exceeds the reset threshold) an internal timer keeps \overline{RST} low for the reset time-out period, t_{rec} . After this interval, \overline{RST} returns high.

If V_{CC} drops below the reset threshold, \overline{RST} goes low. Each time \overline{RST} is asserted, it stays low for at least the reset time-out period. Any time V_{CC} goes below the reset threshold, the internal timer clears. The reset timer starts when V_{CC} returns above the reset threshold.

2.2 Manual reset input

A logic low on \overline{MR} asserts \overline{RST} . \overline{RST} remains asserted while \overline{MR} is low, and for t_{rec} after it returns high. The \overline{MR} input has an internal pull-up resistor 63k Ω (typ), allowing it to be left open if not used.

This input can be driven with TTL/CMOS-logic levels or with open drain/collector outputs. Connect a standard open push-button switch from \overline{MR} to V_{SS} to create a manual reset function (see [Figure 4 on page 6](#)); external debounce circuitry is not required. If the device is used in a noisy environment, connect a 0.1 μF capacitor from \overline{MR} to V_{SS} to provide additional noise immunity.

2.3 Negative-going V_{CC} transients

The STM6315 is relatively immune to negative-going V_{CC} transients (glitches). [Figure 12 on page 11](#) shows typical transient duration versus reset comparator overdrive (for which the STM6315 will NOT generate a reset pulse). The graph was generated using a negative pulse applied to V_{CC} , starting at 0.5V above the actual reset threshold and ending below it by the magnitude indicated (Reset Threshold Overdrive). The graph indicates the maximum pulse width a negative V_{CC} transient can have without causing a reset pulse. As the magnitude of the transient increases (further below the threshold), the maximum allowable pulse width decreases. Any combination of duration and overdrive which lies under the curve will NOT generate a reset signal (see [Figure 12](#)). A 0.1 μF bypass capacitor mounted as close as possible to the V_{CC} pin provides additional transient immunity.

2.4 Valid $\overline{\text{RST}}$ output down to $V_{\text{CC}} = 0\text{V}$

When V_{CC} falls below 1V, the $\overline{\text{RST}}$ output no longer sinks current, but becomes an open circuit. In most systems this is not a problem, as most MCUs do not operate below 1V. However, in applications where $\overline{\text{RST}}$ output must be valid down to 0V, a pull-down resistor may be added to hold the $\overline{\text{RST}}$ output low. This resistor must be large enough to not load the $\overline{\text{RST}}$ output, and still be small enough to pull the output to Ground. A 100K Ω resistor is recommended.

Figure 5. Reset timing diagram

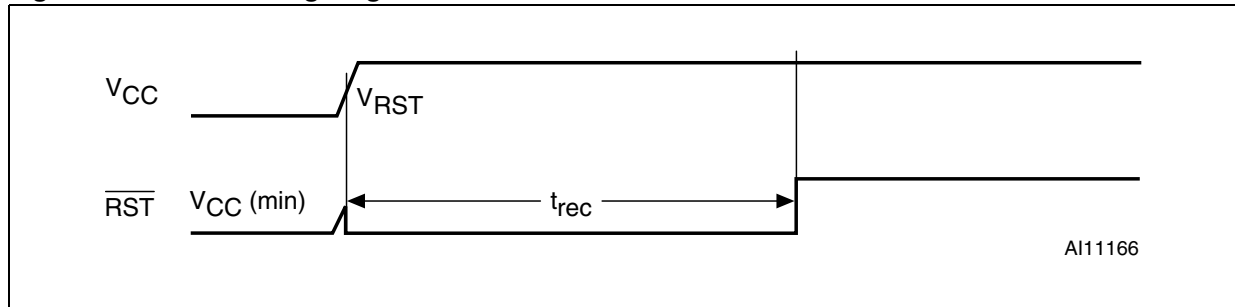
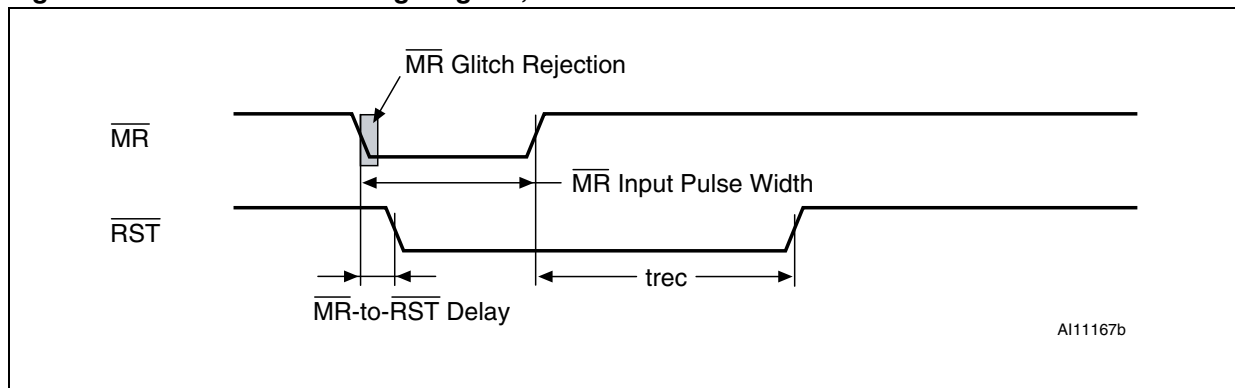


Figure 6. Manual reset timing diagram, switch bounce/debounce



3 Typical operating characteristics

Note: Typical values are at $T_A = 25^\circ\text{C}$.

Figure 7. Supply current vs. supply voltage, $V_{RST} = 2.63\text{V}$

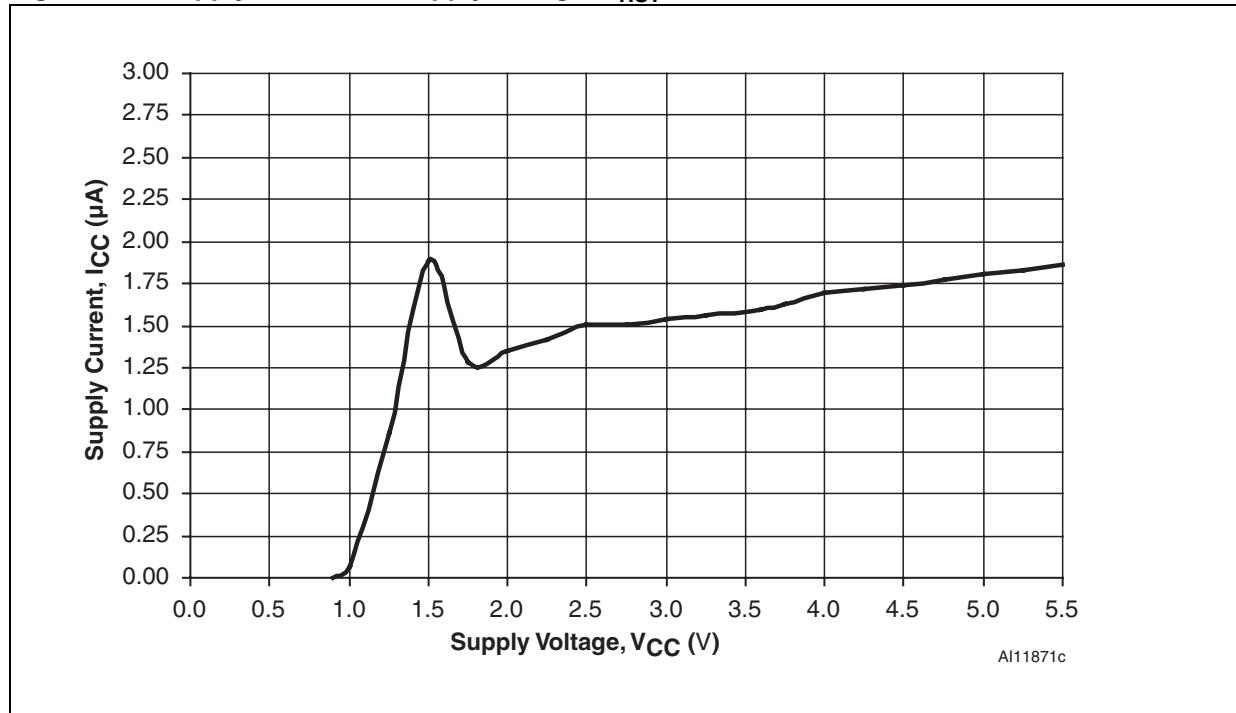


Figure 8. Supply current vs. temperature (no load), $V_{RST} = 2.63\text{V}$

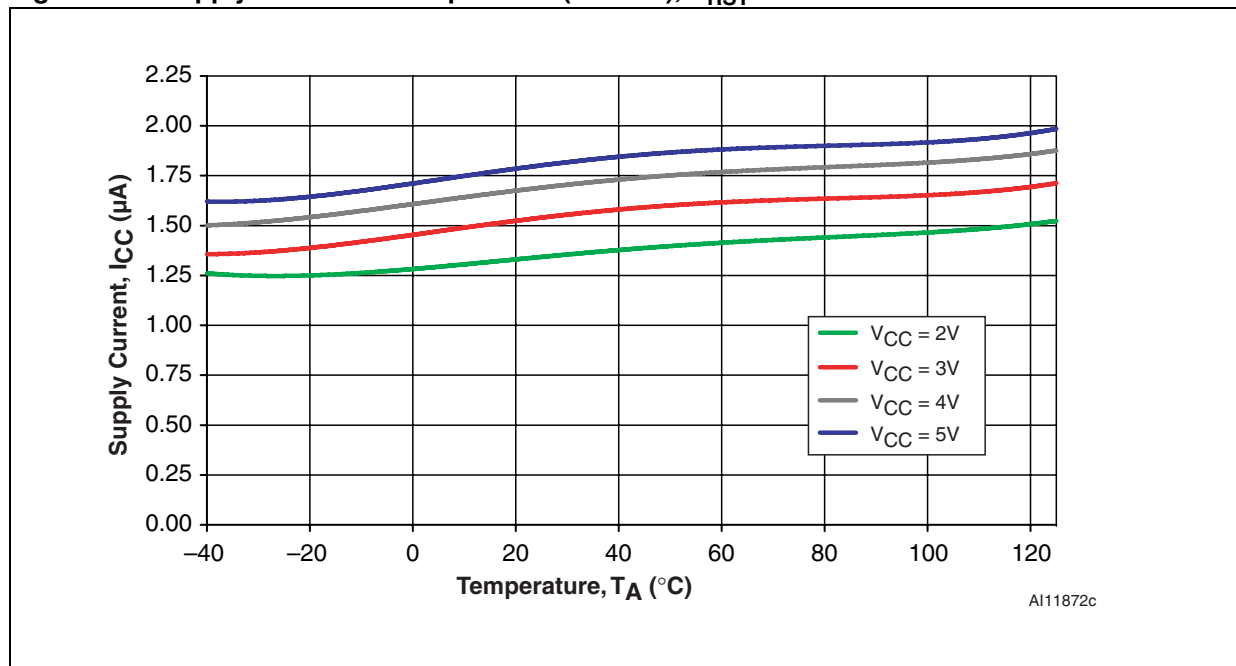


Figure 9. $\overline{\text{RST}}$ output voltage vs. output current, $V_{\text{CC}} = 4.25\text{V}$

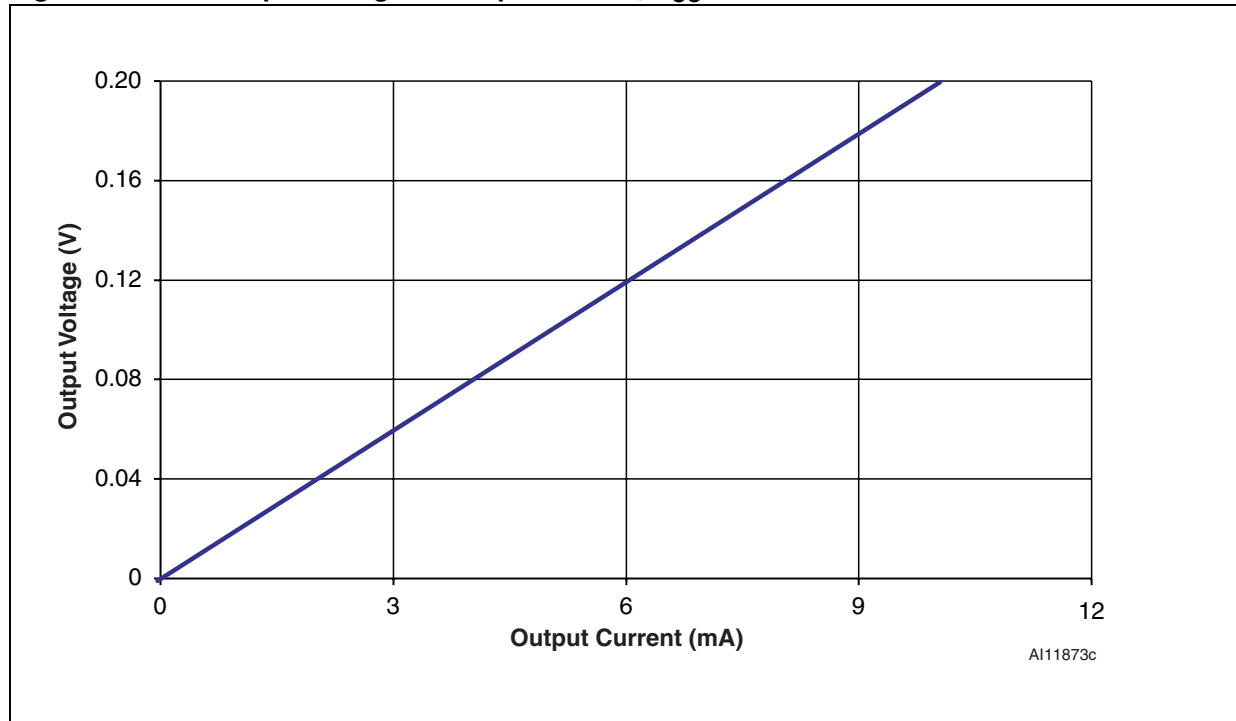


Figure 10. Normalized reset time-out period vs. temperature

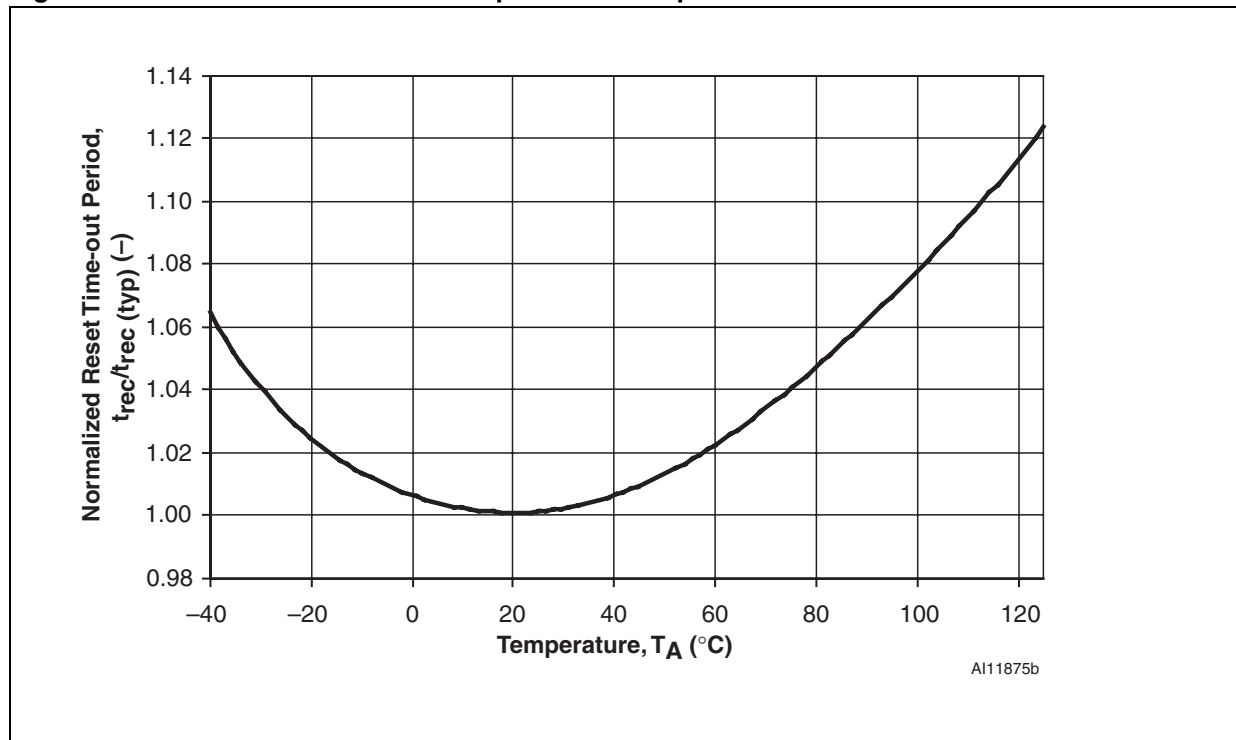


Figure 11. Normalized reset threshold vs. temperature

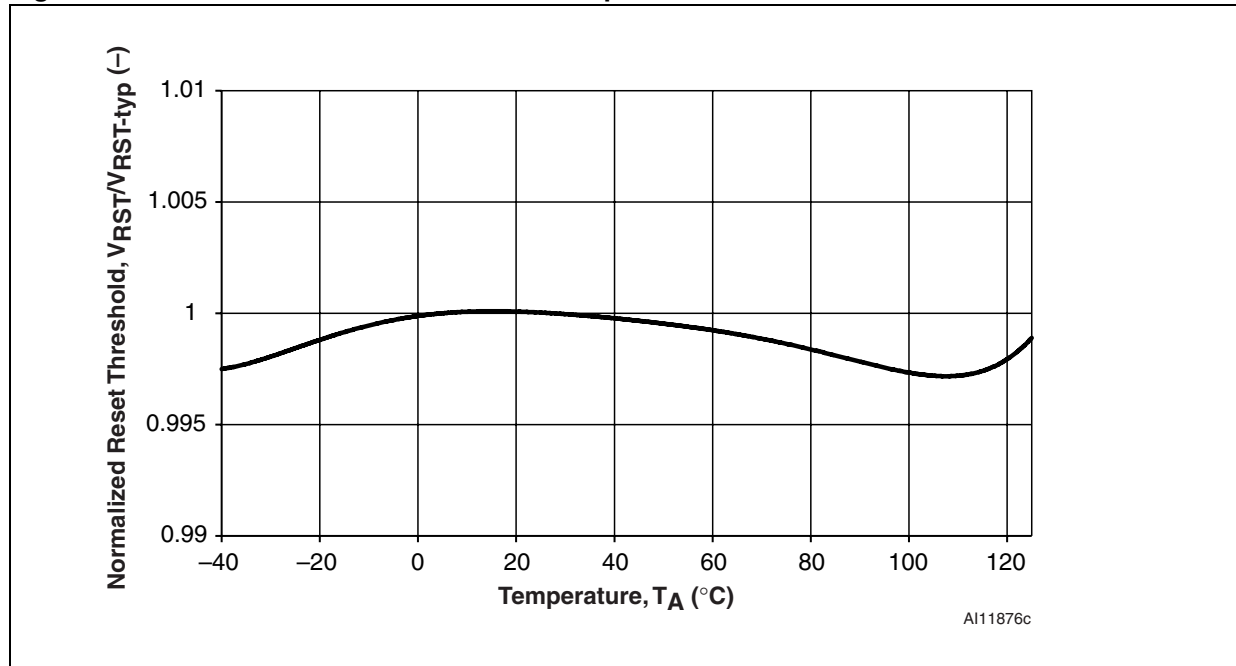
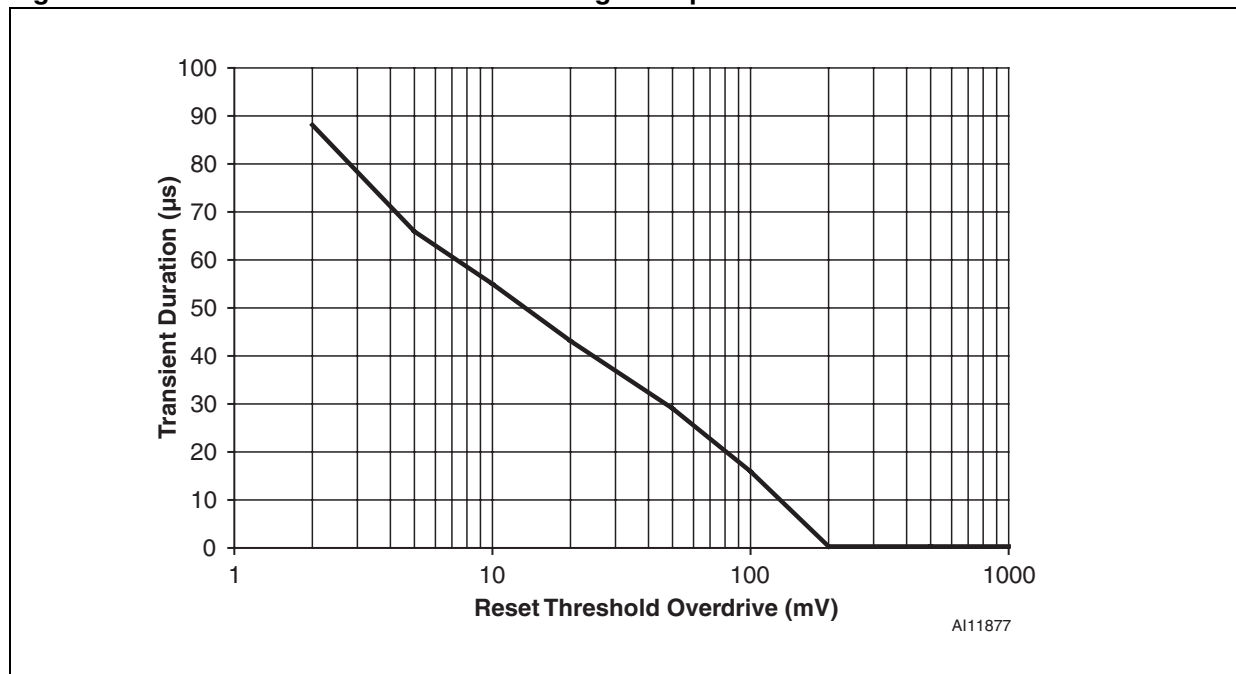


Figure 12. Max. transient duration not causing reset pulse vs. reset threshold Overdrive



Note: *Reset occurs above the curve.*

4 Maximum rating

Stressing the device above the rating listed in the [Table 2: Absolute maximum ratings](#) may cause permanent damage to the device. These are stress ratings only and operation of the device at these or any other conditions above those indicated in the Operating sections of this specification is not implied. Exposure to Absolute Maximum Rating conditions for extended periods may affect device reliability. Refer also to the STMicroelectronics SURE Program and other relevant quality documents.

Table 2. Absolute maximum ratings

Symbol	Parameter	Value	Unit
T _{STG}	Storage temperature (V _{CC} Off)	-55 to 150	°C
T _{SLD} ⁽¹⁾	Lead solder temperature for 10 seconds	260	°C
V _{IO}	Input or output voltage	-0.3 to V _{CC} + 0.3	V
V _{CC}	Supply voltage	-0.3 to 7.0	V
I _O	Output current	20	mA
P _D	Power dissipation	320	mW

1. Reflow at peak temperature of 260°C (total thermal budget not to exceed 245°C for greater than 30 seconds).

5 DC and AC parameters

This section summarizes the operating measurement conditions, and the DC and AC characteristics of the device. The parameters in the DC and AC characteristics Tables that follow are derived from tests performed under the measurement conditions summarized in [Table 3: Operating and AC measurement conditions](#). Designers should check that the operating conditions in their circuit match the operating conditions when relying on the quoted parameters.

Table 3. Operating and AC measurement conditions

Parameter	STM6315	Unit
V_{CC} Supply Voltage	1.0 to 5.5	V
Ambient Operating Temperature (T_A)	-40 to +125	°C
Input Rise and Fall Times	~5	ns
Input Pulse Voltages	0.2 to $0.8V_{CC}$	V
Input and Output Timing Reference Voltages	0.3 to $0.7V_{CC}$	V

Figure 13. AC testing input/output waveforms

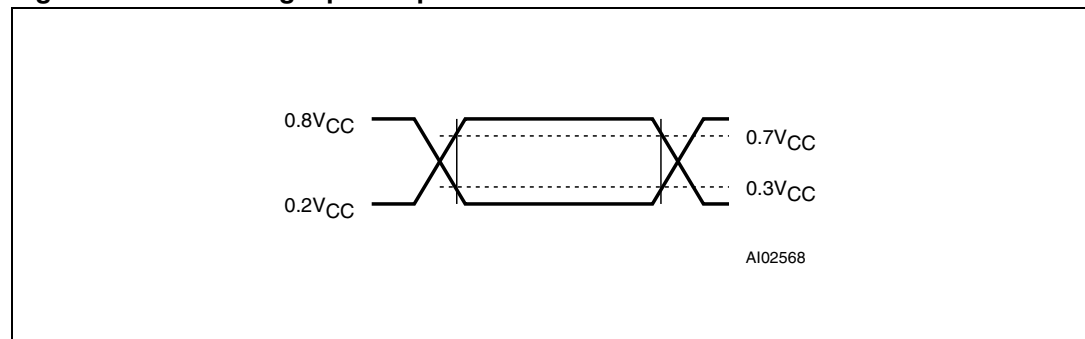


Table 4. DC and AC characteristics

Sym	Description	Test Condition (1)	Min	Typ	Max	Unit	
V _{CC}	Operating voltage		1.0		5.5	V	
I _{CC}	V _{CC} supply current	V _{CC} = 5.5V, no load T _A = -40 to +85°C		2.0	12	μA	
		V _{CC} = 5.5V, no load T _A = -40 to +125°C			15	μA	
		V _{CC} = 3.6V, no load T _A = -40 to +85°C		1.5	10	μA	
		V _{CC} = 3.6V, no load T _A = -40 to +125°C			12	μA	
V _{OL}	$\overline{\text{RST}}$ output voltage	V _{CC} > 4.25V, I _{SINK} = 3.2mA			0.4	V	
		V _{CC} > 2.5V, I _{SINK} = 1.2mA			0.3	V	
		V _{CC} > 1.0V, I _{SINK} = 80μA			0.3	V	
	$\overline{\text{RST}}$ output open drain Leakage Current	V _{CC} > V _{RST} , $\overline{\text{RST}}$ not asserted			1	μA	
Reset Thresholds							
V _{RST}	Reset threshold (2) (see Table 6 on page 18 for detailed listing)	V _{CC} falling; T _A = 25°C	V _{RST} - 1.8%	V _{RST}	V _{RST} + 1.8%	V	
		V _{CC} falling; T _A = -40 to 85°C	V _{RST} - 2.5%		V _{RST} + 2.5%	V	
		V _{CC} falling; T _A = -40 to 125°C	V _{RST} - 3.5%		V _{RST} + 3.5%	V	
t _{RD}	V _{CC} -to- $\overline{\text{RST}}$ delay	V _{CC} falling from (V _{RST} + 100mV) to (V _{RST} - 200mV) at 1mV/μs		35		μs	
t _{rec}	$\overline{\text{RST}}$ pulse width (2)	STM6315xAxxxx	T _A = -40 to +85°C	1	1.5	2	ms
			T _A = -40 to +125°C	0.8		2.4	ms
		STM6315xBxxxx	T _A = -40 to +85°C	20	30	40	ms
			T _A = -40 to +125°C	16		48	ms
		STM6315xDxxxx	T _A = -40 to +85°C	140	210	280	ms
			T _A = -40 to +125°C	112		336	ms
STM6315xGxxxx	T _A = -40 to +85°C	1120	1680	2240	ms		
	T _A = -40 to +125°C	896		2688	ms		
	Reset threshold temperature coefficient			60		ppm/°C	

Table 4. DC and AC characteristics (continued)

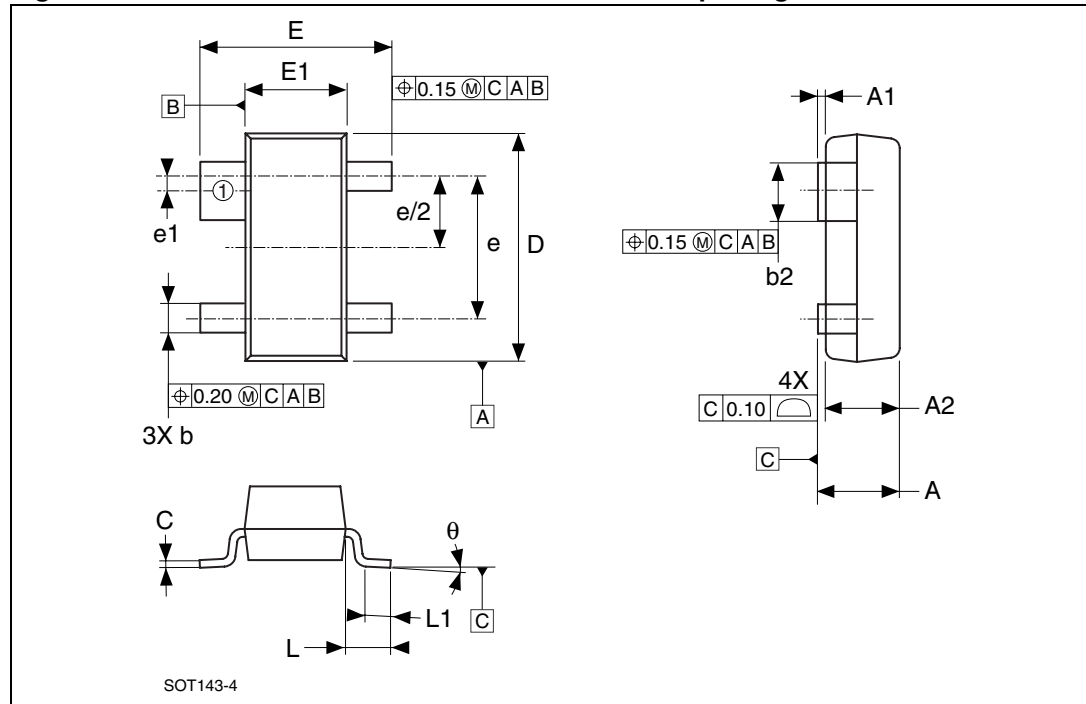
Sym	Description	Test Condition ⁽¹⁾	Min	Typ	Max	Unit
Manual Reset Input						
V _{IL}	$\overline{\text{MR}}$ low input threshold	V _{RST} > 4.0V	0.8			V
		V _{RST} < 4.0V	0.3V _{CC}			V
V _{IH}	$\overline{\text{MR}}$ low input threshold	V _{RST} > 4.0V			2.4	V
		V _{RST} < 4.0V			0.7V _{CC}	V
	$\overline{\text{MR}}$ input pulse width		1			μs
	$\overline{\text{MR}}$ glitch rejection			100		ns
	$\overline{\text{MR}}$ -to- $\overline{\text{RST}}$ delay			500		ns
	$\overline{\text{MR}}$ pull-up resistance		32	63	100	kΩ

- Valid for ambient operating temperature: T_A = -40 to 125°C; V_{CC} = 2.5 to 5.5V (except where noted).
- Other V_{RST} thresholds and t_{rec} timings are offered. Minimum order quantities may apply. Contact local sales office for availability.

6 Package mechanical data

In order to meet environmental requirements, ST offers these devices in ECOPACK® packages. These packages have a Lead-free second level interconnect. The category of second Level Interconnect is marked on the package and on the inner box label, in compliance with JEDEC Standard JESD97. The maximum ratings related to soldering conditions are also marked on the inner box label. ECOPACK is an ST trademark. ECOPACK specifications are available at: www.st.com.

Figure 14. SOT143-4 – 4-lead small outline transistor package outline



Note: Drawing is not to scale.

Table 5. SOT143-4 – 4-lead small outline transistor package mechanical data

Symbol	mm			inches		
	Typ	Min	Max	Typ	Min	Max
A	–	0.89	1.12	–	0.035	0.044
A1	–	0.01	0.10	–	0.001	0.004
A2	–	0.88	1.02	–	0.035	0.042
b	–	0.37	0.51	–	0.015	0.020
b2	–	0.76	0.94	–	0.030	0.037
C	–	0.09	0.18	–	0.004	0.007
D	–	2.80	3.04	–	0.110	0.120
E	–	2.10	2.64	–	0.083	0.104
E1	–	1.20	1.40	–	0.047	0.055
e	1.92	–	–	0.076	–	–
e1	0.20	–	–	0.008	–	–
L	0.55	–	–	0.022	–	–
L1	–	0.40	0.60	–	0.016	0.024
θ		0°	10°		0°	10°
N		4			4	

7 Part numbering

Table 6. Ordering information scheme

Example:	STM6315	R	D	W1	3	F
Device Type	STM6315					
Reset Threshold Voltage ⁽¹⁾						
L = $V_{RST} = 4.63V$						
M = $V_{RST} = 4.38V$						
S = $V_{RST} = 2.93V$						
R = $V_{RST} = 2.63V$						
\overline{RST} Pulse Width ⁽¹⁾						
A = $t_{rec} = 1.5ms$						
B = $t_{rec} = 30ms$						
D = $t_{rec} = 210ms$						
G = $t_{rec} = 1680ms$						
Package						
W1 = SOT143-4						
Temperature Range						
3 = -40 to 125°C						
Shipping Method						
F = ECOPACK Package, Tape & Reel						

1. Other V_{RST} thresholds and t_{rec} timings are offered. Minimum order quantities may apply. Contact local sales office for availability.

Note: For other options, or for more information on any aspect of this device, please contact the ST Sales Office nearest you.

Table 7. Marking description

Part Number	Reset Threshold ⁽¹⁾ (V)	RST Pulse Width ⁽¹⁾ (ms)	Output	Topside Marking ⁽²⁾
STM6315LB	4.63	30	Open drain $\overline{\text{RST}}$	9LBx
STM6315MD	4.38	210	Open drain $\overline{\text{RST}}$	9MDx
STM6315SD	2.93	210	Open drain $\overline{\text{RST}}$	9SDx
STM6315RA	2.63	1.5	Open drain $\overline{\text{RST}}$	9RAx
STM6315RB	2.63	30	Open drain $\overline{\text{RST}}$	9RBx
STM6315RD	2.63	210	Open drain $\overline{\text{RST}}$	9RDx
STM6315RG	2.63	1680	Open drain $\overline{\text{RST}}$	9RGx

1. Other V_{RST} thresholds and t_{rec} timings are offered. Minimum order quantities may apply. Contact local sales office for availability.
2. Where "x" = Assembly Work Week (A to Z), such that "A" = WW01-02, "B" = WW03-04, and so forth.

8 Revision history

Table 8. Document revision history

Date	Revision	Changes
14-Nov-2005	1.0	First edition.
08-Feb-2006	2.0	Update template, characteristics, marking (Figure 7, 8, 9, 10, and 11; Table 4, 6, and 7).
12-Apr-2006	3	Updated characteristics (Figure 7, 8, and 11; Table 4, 6, and 7).
27-Jul-2006	4	Updated Table 3, 5 and 6.
21-Mar-2007	5	Updated Table 2, 6, and 7.

Please Read Carefully:

Information in this document is provided solely in connection with ST products. STMicroelectronics NV and its subsidiaries ("ST") reserve the right to make changes, corrections, modifications or improvements, to this document, and the products and services described herein at any time, without notice.

All ST products are sold pursuant to ST's terms and conditions of sale.

Purchasers are solely responsible for the choice, selection and use of the ST products and services described herein, and ST assumes no liability whatsoever relating to the choice, selection or use of the ST products and services described herein.

No license, express or implied, by estoppel or otherwise, to any intellectual property rights is granted under this document. If any part of this document refers to any third party products or services it shall not be deemed a license grant by ST for the use of such third party products or services, or any intellectual property contained therein or considered as a warranty covering the use in any manner whatsoever of such third party products or services or any intellectual property contained therein.

UNLESS OTHERWISE SET FORTH IN ST'S TERMS AND CONDITIONS OF SALE ST DISCLAIMS ANY EXPRESS OR IMPLIED WARRANTY WITH RESPECT TO THE USE AND/OR SALE OF ST PRODUCTS INCLUDING WITHOUT LIMITATION IMPLIED WARRANTIES OF MERCHANTABILITY, FITNESS FOR A PARTICULAR PURPOSE (AND THEIR EQUIVALENTS UNDER THE LAWS OF ANY JURISDICTION), OR INFRINGEMENT OF ANY PATENT, COPYRIGHT OR OTHER INTELLECTUAL PROPERTY RIGHT.

UNLESS EXPRESSLY APPROVED IN WRITING BY AN AUTHORIZED ST REPRESENTATIVE, ST PRODUCTS ARE NOT RECOMMENDED, AUTHORIZED OR WARRANTED FOR USE IN MILITARY, AIR CRAFT, SPACE, LIFE SAVING, OR LIFE SUSTAINING APPLICATIONS, NOR IN PRODUCTS OR SYSTEMS WHERE FAILURE OR MALFUNCTION MAY RESULT IN PERSONAL INJURY, DEATH, OR SEVERE PROPERTY OR ENVIRONMENTAL DAMAGE. ST PRODUCTS WHICH ARE NOT SPECIFIED AS "AUTOMOTIVE GRADE" MAY ONLY BE USED IN AUTOMOTIVE APPLICATIONS AT USER'S OWN RISK.

Resale of ST products with provisions different from the statements and/or technical features set forth in this document shall immediately void any warranty granted by ST for the ST product or service described herein and shall not create or extend in any manner whatsoever, any liability of ST.

ST and the ST logo are trademarks or registered trademarks of ST in various countries.

Information in this document supersedes and replaces all information previously supplied.

The ST logo is a registered trademark of STMicroelectronics. All other names are the property of their respective owners.

© 2007 STMicroelectronics - All rights reserved

STMicroelectronics group of companies

Australia - Belgium - Brazil - Canada - China - Czech Republic - Finland - France - Germany - Hong Kong - India - Israel - Italy - Japan - Malaysia - Malta - Morocco - Singapore - Spain - Sweden - Switzerland - United Kingdom - United States of America

www.st.com

Данный компонент на территории Российской Федерации

Вы можете приобрести в компании MosChip.

Для оперативного оформления запроса Вам необходимо перейти по данной ссылке:

<http://moschip.ru/get-element>

Вы можете разместить у нас заказ для любого Вашего проекта, будь то серийное производство или разработка единичного прибора.

В нашем ассортименте представлены ведущие мировые производители активных и пассивных электронных компонентов.

Нашей специализацией является поставка электронной компонентной базы двойного назначения, продукции таких производителей как XILINX, Intel (ex.ALTERA), Vicor, Microchip, Texas Instruments, Analog Devices, Mini-Circuits, Amphenol, Glenair.

Сотрудничество с глобальными дистрибьюторами электронных компонентов, предоставляет возможность заказывать и получать с международных складов практически любой перечень компонентов в оптимальные для Вас сроки.

На всех этапах разработки и производства наши партнеры могут получить квалифицированную поддержку опытных инженеров.

Система менеджмента качества компании отвечает требованиям в соответствии с ГОСТ Р ИСО 9001, ГОСТ РВ 0015-002 и ЭС РД 009

Офис по работе с юридическими лицами:

105318, г.Москва, ул.Щербаковская д.3, офис 1107, 1118, ДЦ «Щербаковский»

Телефон: +7 495 668-12-70 (многоканальный)

Факс: +7 495 668-12-70 (доб.304)

E-mail: info@moschip.ru

Skype отдела продаж:

moschip.ru

moschip.ru_4

moschip.ru_6

moschip.ru_9