

PLEASE CHECK WWW.MOLEX.COM FOR LATEST PART INFORMATION

Part Number: [0039533107](#)
Status: **Active**
Description: 2.54mm (.100") Pitch QF-50™, Right Angle, Dual Row with Eject Levers, Shrouded Header, 10 Circuits

Documents:

[3D Model](#) [Product Specification PS-5330-003 \(PDF\)](#)
[Drawing \(PDF\)](#) [RoHS Certificate of Compliance \(PDF\)](#)

Agency Certification

UL E29179

General

Product Family Ribbon Cable / Wire Trap Connectors
 Series [5340](#)
 Comments Lever Spring Pins
 Component Type PCB Header
 Glow-Wire Compliant No
 Product Name QF-50™

Physical

Circuits (Loaded) 10
 Color - Resin Black
 Entry Angle 90° Angle
 Flammability 94V-0
 Lock to Mating Part Yes
 Material - Metal Brass
 Material - Plating Mating Gold
 Material - Plating Termination Tin
 Number of Rows 2
 PCB Locator Yes
 PCB Retention None
 PCB Thickness Recommended (in) 0.062 In
 PCB Thickness Recommended (mm) 1.60 mm
 Packaging Type Tray
 Pitch - Mating Interface (in) 0.100 In
 Pitch - Mating Interface (mm) 2.54 mm
 Plating min: Mating (µin) 0.004
 Plating min: Mating (µm) 0.10
 Plating min: Termination (µin) 0.040
 Plating min: Termination (µm) 1.00
 Polarized to Mating Part No
 Polarized to PCB No
 Shrouded Yes
 Stackable No
 Surface Mount Compatible (SMC) No
 Temperature Range - Operating -40°C to +105°C
 Wire Insulation Diameter N/A
 Wire Size AWG N/A
 Wire/Cable Type Ribbon Cable

Electrical

Current - Maximum per Contact 1A
 Voltage - Maximum 250V

Material Info

Old Part Number 5340-10BGS17F

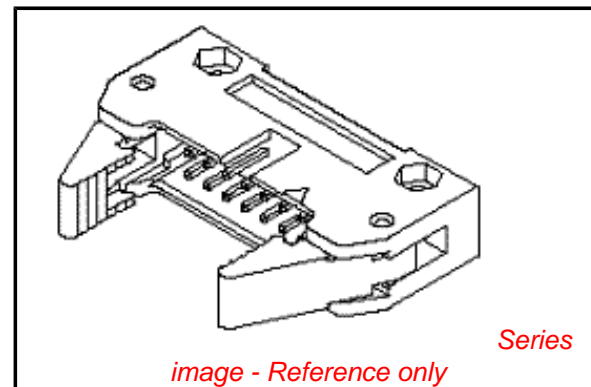


image - Reference only

EU RoHS

**ELV and RoHS
 Compliant
 REACH SVHC
 Not Reviewed
 Halogen-Free
 Status
 Not Reviewed**

China RoHS



**Need more information on product
 environmental compliance?**

Email productcompliance@molex.com
 For a multiple part number RoHS Certificate of Compliance, [click here](#)

Please visit the [Contact Us](#) section for any non-product compliance questions.

Search Parts in this Series

[5340Series](#)

Mates With

[5320](#)

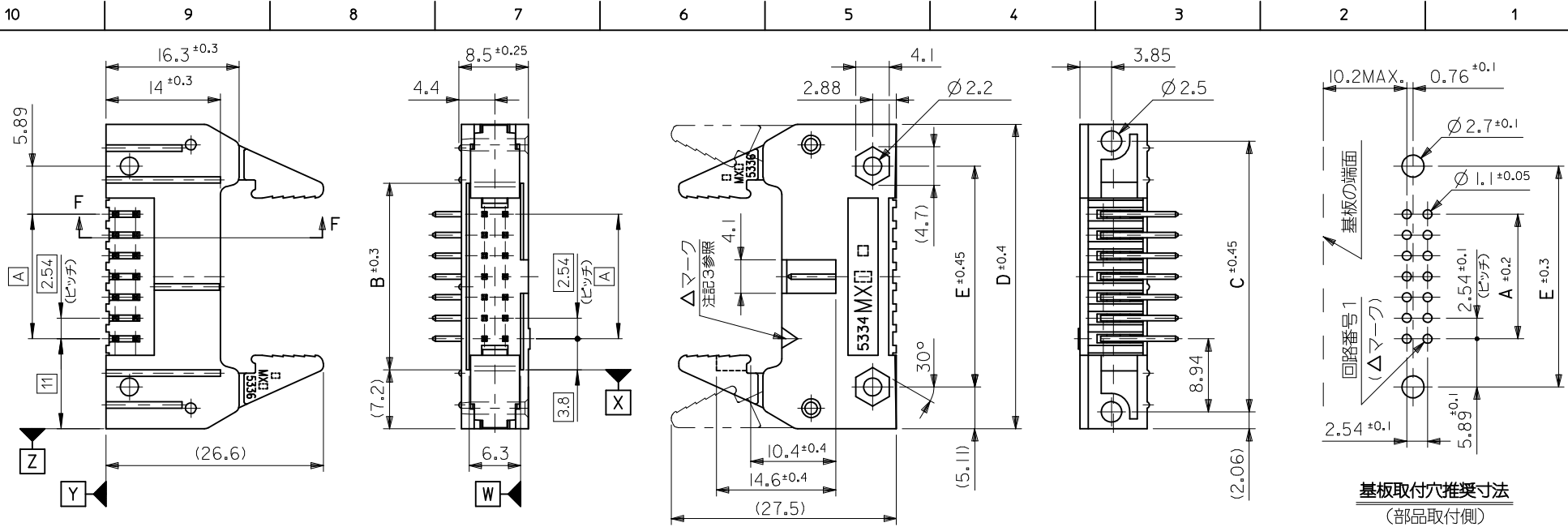
Reference - Drawing Numbers

Product Specification
Sales Drawing

PS-5330-003, RPS-5330-001
SD-5340-001, SD-5340-002, SD-5342-002

This document was generated on 04/13/2010

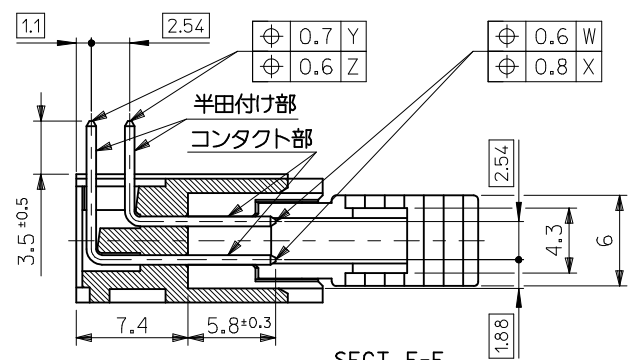
PLEASE CHECK WWW.MOLEX.COM FOR LATEST PART INFORMATION



基板取付穴推奨寸法
(部品取付側)

- 注記 1. 材料 ヘッダー&エジェクトレバー : ガラス繊維 15% 入り PBTP (UL94V-0), 黒色
 ピン : 黄銅, サイズ □0.635
 スプリングピン : 鋼製
 2. 嵌合相手 : 5320 シリーズ
 3. 使用符号の説明
 ベースナンバー 5340 - N B *
 極数
 エジェクトレバー付
 ピンのメッキコード

コード:*	△マークの色	コンタクト部	半田付け部	下地メッキ
GS1	黄	金 0.1 μm MIN.	半田 3 μm MIN.	ニッケル 1 μm MIN.
GS2	茶	金 0.76 μm MIN.		
LEAD FREE GS17F	黄	金 0.1 μm MIN.	錫 1 μm MIN.	
LEAD FREE GS27F	茶	金 0.76 μm MIN.		
LEAD FREE T2	黒	錫 1 μm MIN.		ニッケル 0.5 μm MIN.



60	73.66	81.26	91.54	95.66	85.44
50	60.96	68.56	78.84	82.96	72.74
40	48.26	55.86	66.14	70.26	60.04
34	40.64	48.24	58.52	62.64	52.42
30	35.56	43.16	53.44	57.56	47.34
26	30.48	38.08	48.36	52.48	42.26
20	22.86	30.46	40.74	44.86	34.64
16	17.78	25.38	35.66	39.78	29.56
14	15.24	22.84	33.12	37.24	27.02
10	10.16	17.76	28.04	32.16	21.94
極数	A 寸法	B 寸法	C 寸法	D 寸法	E 寸法

fb_frame_A3_J_ME_S
Rev. E 2006/04/15

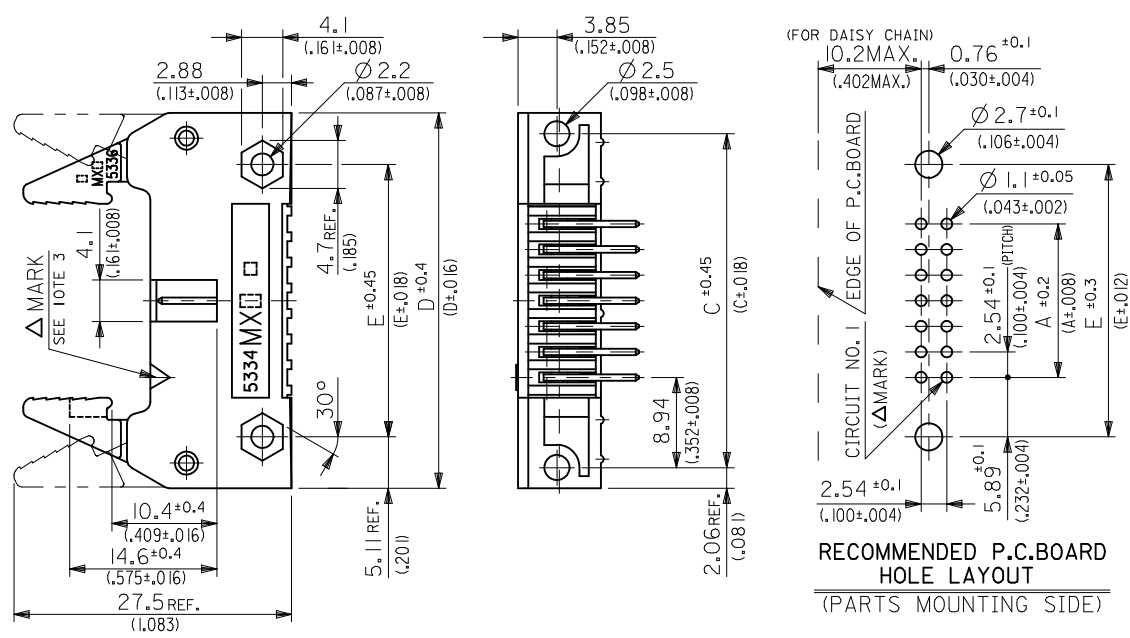
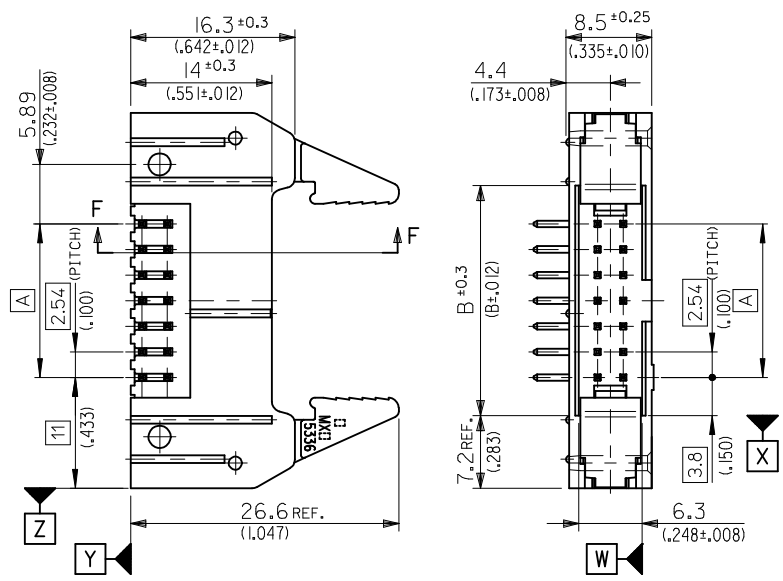
REVISED EC NO: J2009-2013 DRWN: MWABEI 2009/03/12 CHKD: THARUYAMA 2009/03/13 APPR: NUKITA 2009/03/16 M REV	GENERAL TOLERANCES (UNLESS SPECIFIED) 10 UNDER ±0.2 10 OVER 30 UNDER ±0.25 30 OVER ±0.3 ANGULAR ±3 ° DRAFT WHERE APPLICABLE MUST REMAIN WITHIN DIMENSIONS		DIMENSION STYLE MM ONLY DRAWN BY HHIRAMOTO DATE 1990/06/19 CHECKED BY MSASAO DATE APPROVED BY HIKESUGI DATE MATERIAL NO. SEE SHEET 2		SCALE 2:1 DESIGN UNITS METRIC THIRD ANGLE PROJECTION	TITLE QIK FLECS HEADER ASSY R/A WITH EJECT LEVER (JAPANESE ONLY)		MOLEX INCORPORATED DOCUMENT NO. SD-5340-001 SHEET NO. 1 OF 2
	THIS DRAWING CONTAINS INFORMATION THAT IS PROPRIETARY TO MOLEX INCORPORATED AND SHOULD NOT BE USED WITHOUT WRITTEN PERMISSION							
	SIZE A3							
	EN-02JA(021)							

39-53-7608	5340-60BGS27F	39-53-3607	5340-60BGS17F	60
▲ -7508	▲ -50BGS27F	▲ -3507	▲ -50BGS17F	50
-7408	-40BGS27F	-3407	-40BGS17F	40
-7348	-34BGS27F	-3347	-34BGS17F	34
-7308	-30BGS27F	-3307	-30BGS17F	30
-7268	-26BGS27F	-3267	-26BGS17F	26
-7208	-20BGS27F	-3207	-20BGS17F	20
-7168	-16BGS27F	-3167	-16BGS17F	16
▼ -7148	▼ -14BGS27F	▼ -3147	▼ -14BGS17F	14
39-53-7108	5340-10BGS27F	39-53-3107	5340-10BGS17F	10
EDP NO.	ENG. NO.	EDP NO.	ENG. NO.	NO. OF
5340-NBGS27F-LEAD FREE-		5340-NBGS17F-LEAD FREE-		CKT.S.

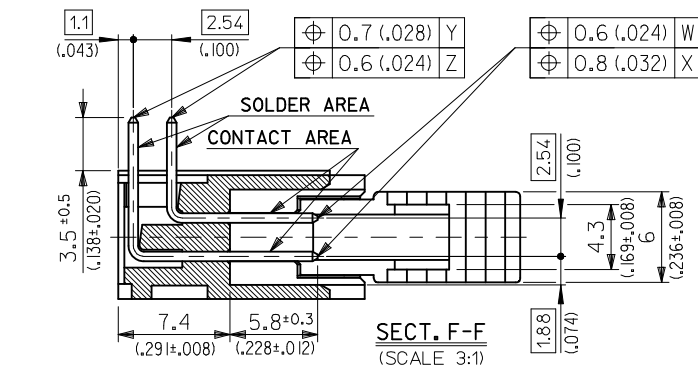
—	—	39-26-7603	5340-60BGS2	—	—	60
39-28-5503	5340-50BT2	▲ -7503	▲ -50BGS2	39-26-7502	5340-50BGS1	50
▲ -5403	▲ -40BT2	-7403	-40BGS2	—	—	40
-5343	-34BT2	-7343	-34BGS2	—	—	34
-5303	-30BT2	-7303	-30BGS2	—	—	30
-5263	-26BT2	-7263	-26BGS2	—	—	26
-5203	-20BT2	-7203	-20BGS2	—	—	20
-5163	-16BT2	-7163	-16BGS2	—	—	16
▼ -5143	▼ -14BT2	▼ -7143	▼ -14BGS2	—	—	14
39-28-5103	5340-10BT2	39-26-7103	5340-10BGS2	—	—	10
EDP NO.	ENG. NO.	EDP NO.	ENG. NO.	EDP NO.	ENG. NO.	NO. OF
5340-NBT2 -LEAD FREE-		5340-NBGS2		5340-NBGS1		CKT.S.

REVISED EC NO: J2009-2013 DRWN: MABEL 2009/03/12 CHKD: THARUYAMA 2009/03/13 APPR: NUKITA 2009/03/16	GENERAL TOLERANCES (UNLESS SPECIFIED)		DIMENSION STYLE MM ONLY		SCALE 2:1	DESIGN UNITS METRIC	THIRD ANGLE PROJECTION
	10 UNDER	± 0.2	DRAWN BY HIRAMOTO	DATE 1990/06/19	TITLE QIK FLECS HEADER ASSY R/A WITH EJECT LEVER (JAPANESE ONLY)		
	10 OVER 30 UNDER	± 0.25	CHECKED BY MSASAO	DATE	MOLEX INCORPORATED		
	30 OVER	± 0.3	APPROVED BY HIKESUGI	DATE	DOCUMENT NO. SD-5340-001		
	ANGULAR ± 3 °		MATERIAL NO.		SHEET NO. 2 OF 2		
	DRAFT WHERE APPLICABLE MUST REMAIN WITHIN DIMENSIONS	SEE TABLE					

10 9 8 7 6 5 4 3 2 1



RECOMMENDED P.C. BOARD HOLE LAYOUT (PARTS MOUNTING SIDE)



NOTES 1. MATERIAL HEADER & EJECT LEVER : G.F. 15% PBTP (UL94V-0), COLOR---BLACK
PINS : BRASS, SIZE--- □0.635(0.25 SQ.)
SPRING PIN : STEEL

2. MATES WITH MOLEX CONNECTOR SERIES OF 5320.

3. LEGEND

BASE NUMBER 5340 - N B *
CIRCUIT SIZE WITH EJECT LEVER
PLATING CODE OF PIN

CODE:*	△ MARK COLOR	CONTACT AREA	SOLDER AREA	UNDER PLATE
GS1	YELLOW	GOLD 0.1µm(0.00004) MIN.	TIN-LEAD 3µm(0.00012) MIN.	NICKEL 1µm(0.00004) MIN.
GS2	BROWN	GOLD 0.76µm(0.0003) MIN.	TIN 1µm(0.00004) MIN.	
LEAD FREE GS17F	YELLOW	GOLD 0.1 µm(0.00004) MIN.	TIN 1µm(0.00004) MIN.	NICKEL 0.5µm(0.00002) MIN.
LEAD FREE GS27F	BROWN	GOLD 0.76µm(0.0003) MIN.	TIN 1µm(0.00004) MIN.	NICKEL 0.5µm(0.00002) MIN.
LEAD FREE I2	BLACK	TIN 1 µm(0.00004) MIN.		

60	73.66 (2.900)	81.26 (3.200)	91.54 (3.604)	95.66 (3.766)	85.44 (3.364)
50	60.96 (2.400)	68.56 (2.700)	78.84 (3.104)	82.96 (3.266)	72.74 (2.864)
40	48.26 (1.900)	55.86 (2.200)	66.14 (2.604)	70.26 (2.766)	60.04 (2.364)
34	40.64 (1.600)	48.24 (1.900)	58.52 (2.304)	62.64 (2.466)	52.42 (2.064)
30	35.56 (1.400)	43.16 (1.700)	53.44 (2.104)	57.56 (2.266)	47.34 (1.864)
26	30.48 (1.200)	38.08 (1.500)	48.36 (1.904)	52.48 (2.066)	42.26 (1.664)
20	22.86 (0.900)	30.46 (1.200)	40.74 (1.604)	44.86 (1.766)	34.64 (1.364)
16	17.78 (0.700)	25.38 (1.000)	35.66 (1.404)	39.78 (1.566)	29.56 (1.164)
14	15.24 (0.600)	22.84 (0.900)	33.12 (1.304)	37.24 (1.466)	27.02 (1.064)
10	10.16 (0.400)	17.76 (0.700)	28.04 (1.104)	32.16 (1.266)	21.94 (0.864)
NO. OF CKTS.	DIM. A	DIM. B	DIM. C	DIM. D	DIM. E

fb_frame_A3_J_ME_S Rev. E 2006/04/15

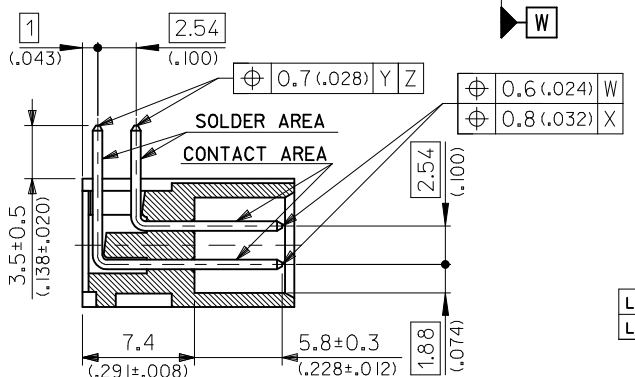
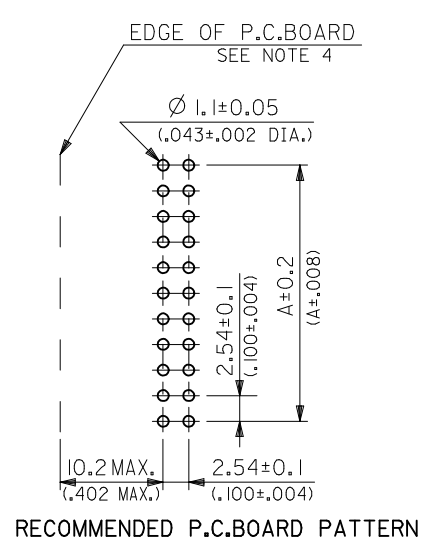
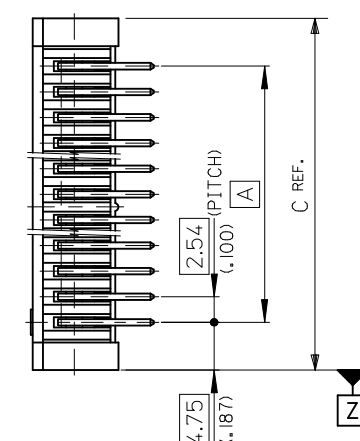
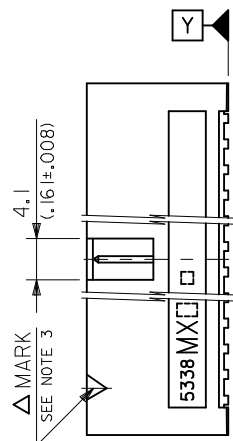
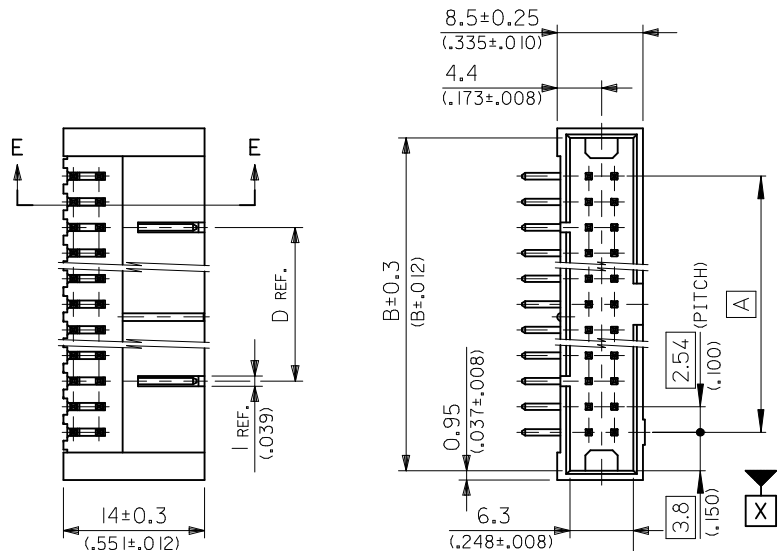
REVISED EC NO: J2009-2013 DRWN:MMABEI 2009/03/12 CHKD:THARUYAMA 2009/03/13 APPR:NIUK ITA 2009/03/16	GENERAL TOLERANCES (UNLESS SPECIFIED)		DIMENSION STYLE MM/IN	SCALE 2:1	DESIGN UNITS METRIC	THIRD ANGLE PROJECTION
	10 UNDER	±0.2	DRAWN BY HIRAMOTO	DATE 1989/11/13	TITLE QIK FLECS HEADER ASSY R/A WITH EJECT LEVER (ENGLISH ONLY)	
	10 OVER 30 UNDER	±0.25	CHECKED BY MSASAO	DATE	MOLEX INCORPORATED	
	30 OVER	±0.3	APPROVED BY HIKESUGI	DATE	DOCUMENT NO. SD-5340-002	
M	REVISION DESCRIPTION	ANGULAR ±3 °	MATERIAL NO. SEE SHEET 2	SHEET NO. 1 OF 2	THIS DRAWING CONTAINS INFORMATION THAT IS PROPRIETARY TO MOLEX INCORPORATED AND SHOULD NOT BE USED WITHOUT WRITTEN PERMISSION	

9 8 7 6 5 4 3 2 1 EN-02JA(021)

39-53-7608	5340-60BGS27F	39-53-3607	5340-60BGS17F	60
▲ -7508	▲ -50BGS27F	▲ -3507	▲ -50BGS17F	50
-7408	-40BGS27F	-3407	-40BGS17F	40
-7348	-34BGS27F	-3347	-34BGS17F	34
-7308	-30BGS27F	-3307	-30BGS17F	30
-7268	-26BGS27F	-3267	-26BGS17F	26
-7208	-20BGS27F	-3207	-20BGS17F	20
-7168	-16BGS27F	-3167	-16BGS17F	16
▼ -7148	▼ -14BGS27F	▼ -3147	▼ -14BGS17F	14
39-53-7108	5340-10BGS27F	39-53-3107	5340-10BGS17F	10
EDP NO.	ENG. NO.	EDP NO.	ENG. NO.	NO. OF
5340-NBGS27F-LEAD FREE-		5340-NBGS17F-LEAD FREE-		CKT.S.

—#—	—#—	39-26-7603	5340-60BGS2	—#—	—#—	60
39-28-5503	5340-50BT2	▲ -7503	▲ -50BGS2	39-26-7502	5340-50BGS1	50
▲ -5403	▲ -40BT2	-7403	-40BGS2	—#—	—#—	40
-5343	-34BT2	-7343	-34BGS2	—#—	—#—	34
-5303	-30BT2	-7303	-30BGS2	—#—	—#—	30
-5263	-26BT2	-7263	-26BGS2	—#—	—#—	26
-5203	-20BT2	-7203	-20BGS2	—#—	—#—	20
-5163	-16BT2	-7163	-16BGS2	—#—	—#—	16
▼ -5143	▼ -14BT2	▼ -7143	▼ -14BGS2	—#—	—#—	14
39-28-5103	5340-10BT2	39-26-7103	5340-10BGS2	—#—	—#—	10
EDP NO.	ENG. NO.	EDP NO.	ENG. NO.	EDP NO.	ENG. NO.	NO. OF
5340-NBT2 -LEAD FREE-		5340-NBGS2		5340-NBGS1		CKT.S.

REVISED EC NO: J2009-2013 DRWN:MMABEI 2009/03/12 CHKD:THARUYAMA 2009/03/13 APPR:NUKITA 2009/03/16	GENERAL TOLERANCES (UNLESS SPECIFIED)		DIMENSION STYLE MM/IN		SCALE ---	DESIGN UNITS METRIC		THIRD ANGLE PROJECTION	
	10 UNDER	± 0.2	DRAWN BY HHIRAMOTO		DATE 1989/11/13		TITLE QIK FLECS HEADER ASSY R/A WITH EJECT LEVER (ENGLISH ONLY)		
	10 OVER 30 UNDER	± 0.25	CHECKED BY MSASAO		DATE				
	30 OVER	± 0.3	APPROVED BY HIKESUGI		DATE		MOLEX INCORPORATED DOCUMENT NO. SD-5340-002 SHEET NO. 2 OF 2		
	ANGULAR ±3 °		MATERIAL NO.		SEE TABLE				
DRAFT WHERE APPLICABLE MUST REMAIN WITHIN DIMENSIONS		SIZE A3		THIS DRAWING CONTAINS INFORMATION THAT IS PROPRIETARY TO MOLEX INCORPORATED AND SHOULD NOT BE USED WITHOUT WRITTEN PERMISSION					



NOTES

- MATERIAL WAFER : G.F. 15% PBT (UL94V-0), COLOR---BLACK
PINS : BRASS, SIZE--- □0.635(.025 SQ.)
- MATES WITH MOLEX CONNECTOR SERIES OF 5320.
- LEGEND
5342 - N *
BASE NUMBER _____
CIRCUIT SIZE _____
PLATING CODE OF PIN _____

	CODE:*	△ MARK COLOR	CONTACT AREA	SOLDER AREA	UNDER PLATE
LEAD-FREE	GS17F	YELLOW	GOLD 0.1 μm(.000004) MIN.	TIN 1 μm(.00004) MIN.	NICKEL 1 μm(.00004) MIN.
LEAD-FREE	T2	BLACK	TIN 1 μm(.00004) MIN.		NICKEL 0.5 μm(.00002) MIN.

4. 10.2(.402) MAX. TO EDGE OF P.C. BOARD FOR DAISY CHAIN APPLICATION.

SECT. E-E (SCALE 3:1)

60	73.66 (2.900)	81.26 (3.200)	83.16 (3.274)	63.50 (2.500)
50	60.96 (2.400)	68.56 (2.700)	70.46 (2.774)	50.80 (2.000)
40	48.26 (1.900)	55.86 (2.200)	57.76 (2.274)	38.10 (1.500)
36	43.18 (1.700)	50.78 (2.000)	52.68 (2.074)	33.02 (1.300)
34	40.64 (1.600)	48.24 (1.900)	50.14 (1.974)	30.48 (1.200)
30	35.56 (1.400)	43.16 (1.700)	45.06 (1.774)	25.40 (1.000)
26	30.48 (1.200)	38.08 (1.500)	39.98 (1.574)	— # —
20	22.86 (.900)	30.46 (1.200)	32.36 (1.274)	— # —
16	17.78 (.700)	25.38 (1.000)	27.28 (1.074)	— # —
14	15.24 (.600)	22.84 (.900)	24.74 (.974)	— # —
10	10.16 (.400)	17.76 (.700)	19.66 (.774)	— # —
NO. OF CKTS.	DIM. A	DIM. B	DIM. C	DIM. D

REVISED EC NO: J2009-2013 DRWN: MABEI 2009/03/12 CHKD: THARUYAMA 2009/03/13 APPR: NUKITA 2009/03/16 K REV DESCRIPTION	GENERAL TOLERANCES (UNLESS SPECIFIED)		DIMENSION STYLE MM/IN		SCALE 2:1	DESIGN UNITS METRIC	THIRD ANGLE PROJECTION	
	10 UNDER ±0.2 10 OVER 30 UNDER ±0.25 30 OVER ±0.3	ANGULAR ±3 ° DRAFT WHERE APPLICABLE MUST REMAIN WITHIN DIMENSIONS		DRAWN BY H. HIRAMOTO CHECKED BY M. SASAO APPROVED BY H. IKESUGI MATERIAL NO. SEE SHEET 2	DATE 1989/08/21 DATE DATE DATE	TITLE QIK FLECS WAFER ASSY RA		
	MOLEX INCORPORATED				DOCUMENT NO. SD-5342-002	SHEET NO. 1 OF 2		
	THIS DRAWING CONTAINS INFORMATION THAT IS PROPRIETARY TO MOLEX INCORPORATED AND SHOULD NOT BE USED WITHOUT WRITTEN PERMISSION							

10 9 8 7 6 5 4 3 2 1

F

F

E

E

D

D

C

C

B

B

A

A

—#—	—#—	39-53-7504	5342-50GS17F	50
—#—	—#—	↑ -7404	↑ -40GS17F	40
—#—	—#—	—#—	—#—	36
39-28-5344	5342-34T2	—#—	—#—	34
↑ -5304	↑ -30T2	-7304	-30GS17F	30
-5264	-26T2	-7264	-26GS17F	26
-5204	-20T2	-7204	-20GS17F	20
↓ -5164	↓ -16T2	-7164	-16GS17F	16
↓ -5144	↓ -14T2	↓ —#—	↓ —#—	14
39-28-5104	5342-10T2	39-53-7104	5342-10GS17F	10
EDP NO.	ENG. NO.	EDP NO.	ENG. NO.	NO. OF
5342-NT2		5342-NGS17F		CKTS.

REVISED EC NO: J2009-2013 DRWN: MABEL 2009/03/12 CHKD: THARUYAMA 2009/03/13 APPR: NUKITA 2009/03/16	GENERAL TOLERANCES (UNLESS SPECIFIED)		DIMENSION STYLE MM/IN		SCALE 2:1	DESIGN UNITS METRIC		THIRD ANGLE PROJECTION	
	10 UNDER	± 0.2	DRAWN BY H. HIRAMOTO		DATE 1989/08/21		TITLE QIK FLECS WAFER ASSY RA		
	10 OVER 30 UNDER	± 0.25	CHECKED BY M. SASAO		DATE		MOLEX INCORPORATED		
	30 OVER	± 0.3	APPROVED BY H. IKESUGI		DATE				
	ANGULAR ± 3 °		MATERIAL NO.		DOCUMENT NO.		SHEET NO.		
DRAFT WHERE APPLICABLE MUST REMAIN WITHIN DIMENSIONS		SEE TABLE		SD-5342-002		2 OF 2			

THIS DRAWING CONTAINS INFORMATION THAT IS PROPRIETARY TO MOLEX INCORPORATED AND SHOULD NOT BE USED WITHOUT WRITTEN PERMISSION

Данный компонент на территории Российской Федерации

Вы можете приобрести в компании MosChip.

Для оперативного оформления запроса Вам необходимо перейти по данной ссылке:

<http://moschip.ru/get-element>

Вы можете разместить у нас заказ для любого Вашего проекта, будь то серийное производство или разработка единичного прибора.

В нашем ассортименте представлены ведущие мировые производители активных и пассивных электронных компонентов.

Распределительные склады, находящиеся в России, Европе и в Китае, позволяют нам оперативно поставить необходимые компоненты в оптимальные для Вас сроки.

На всех этапах разработки и производства наши партнеры могут получить квалифицированную поддержку опытных инженеров.

Система менеджмента качества компании отвечает требованиям ISO 9001:2011

Офис по работе с юридическими лицами:

107023, г.Москва, Семеновский переулок, д.6, Бизнес-центр «АВС»

Телефон: +7 495 668-12-70 (многоканальный)

Факс: +7 495 668-12-70 (доб.304)

E-mail: info@moschip.ru

Skype отдела продаж:

moschip.ru_3	moschip.ru_6
moschip.ru_4	moschip.ru_7
moschip.ru_11	moschip.ru_8
moschip.ru_12	moschip.ru_9