

MC10EP195, MC100EP195

3.3V ECL Programmable Delay Chip

The MC10/100EP195 is a Programmable Delay Chip (PDC) designed primarily for clock deskewing and timing adjustment. It provides variable delay of a differential NECL/PECL input transition.

The delay section consists of a programmable matrix of gates and multiplexers as shown in the logic diagram, Figure 3. The delay increment of the EP195 has a digitally selectable resolution of about 10 ps and a net range of up to 10.2 ns. The required delay is selected by the 10 data select inputs D[9:0] values and controlled by the LEN (pin 10). A LOW level on LEN allows a transparent LOAD mode of real time delay values by D[9:0]. A LOW to HIGH transition on LEN will LOCK and HOLD current values present against any subsequent changes in D[10:0]. The approximate delay values for varying tap numbers correlating to D0 (LSB) through D9 (MSB) are shown in Table 6 and Figure 4.

Because the EP195 is designed using a chain of multiplexers it has a fixed minimum delay of 2.2 ns. An additional pin D10 is provided for controlling Pins 14 and 15, CASCADE and $\overline{\text{CASCADE}}$, also latched by LEN, in cascading multiple PDCs for increased programmable range. The cascade logic allows full control of multiple PDCs. Switching devices from all “1” states on D[0:9] with SETMAX LOW to all “0” states on D[0:9] with SETMAX HIGH will increase the delay equivalent to “D0”, the minimum increment.

Select input pins D[10:0] may be threshold controlled by combinations of interconnects between V_{EF} (pin 7) and V_{CF} (pin 8) for LVCMOS, ECL, or LVTTTL level signals. For LVCMOS input levels, leave V_{CF} and V_{EF} open. For ECL operation, short V_{CF} and V_{EF} (Pins 7 and 8). For LVTTTL level operation, connect a 1.5 V supply reference to V_{CF} and leave open V_{EF} pin. The 1.5 V reference voltage to V_{CF} pin can be accomplished by placing a 2.2 k Ω resistor between V_{CF} and V_{EE} for a 3.3 V power supply.

The V_{BB} pin, an internally generated voltage supply, is available to this device only. For single-ended input conditions, the unused differential input is connected to V_{BB} as a switching reference voltage. V_{BB} may also rebias AC coupled inputs. When used, decouple V_{BB} and V_{CC} via a 0.01 μF capacitor and limit current sourcing or sinking to 0.5 mA. When not used, V_{BB} should be left open.

The 100 Series contains temperature compensation.

- Maximum Input Clock Frequency >1.2 GHz Typical
- Programmable Range: 0 ns to 10 ns
- Delay Range: 2.2 ns to 12.2 ns
- 10 ps Increments
- PECL Mode Operating Range:
 $V_{CC} = 3.0 \text{ V to } 3.6 \text{ V with } V_{EE} = 0 \text{ V}$
- NECL Mode Operating Range:
 $V_{CC} = 0 \text{ V with } V_{EE} = -3.0 \text{ V to } -3.6 \text{ V}$
- Open Input Default State
- Safety Clamp on Inputs
- A Logic High on the $\overline{\text{EN}}$ Pin Will Force Q to Logic Low
- D[10:0] Can Accept Either ECL, LVCMOS, or LVTTTL Inputs
- V_{BB} Output Reference Voltage
- Pb-Free Packages are Available



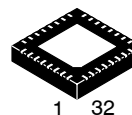
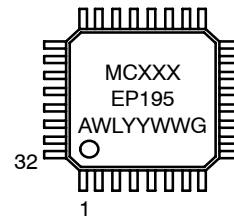
ON Semiconductor®

<http://onsemi.com>

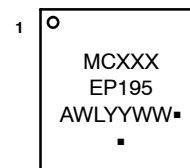
MARKING DIAGRAM*



LQFP-32
FA SUFFIX
CASE 873A



QFN32
MN SUFFIX
CASE 488AM



XXX = 10 or 100
A = Assembly Location
WL, L = Wafer Lot
YY, Y = Year
WW, W = Work Week
G or ■ = Pb-Free Package

(Note: Microdot may be in either location)

*For additional marking information, refer to Application Note AND8002/D.

ORDERING INFORMATION

See detailed ordering and shipping information in the package dimensions section on page 17 of this data sheet.

MC10EP195, MC100EP195

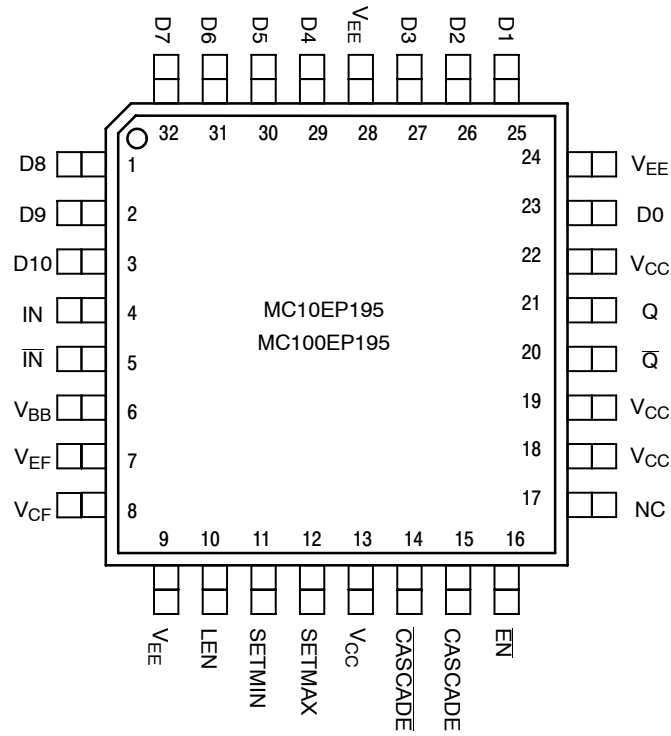


Figure 1. 32-Lead LQFP Pinout (Top View)

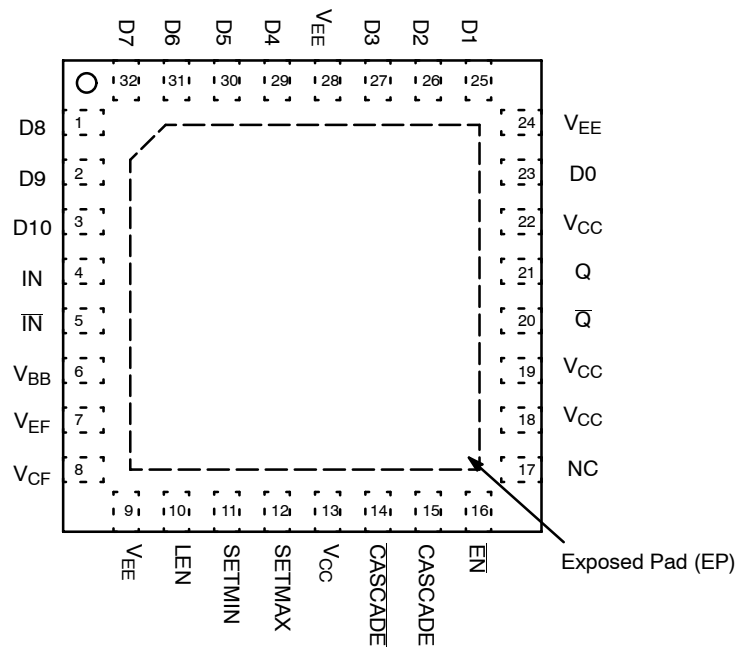


Figure 2. 32-Lead QFN (Top View)

MC10EP195, MC100EP195

Table 1. PIN DESCRIPTION

| Pin | Name | I/O | Default State | Description |
|--------------------------------------|-----------------------------|----------------------------|---------------|----------------------------------------------------------------------------------------------------------------------------------------|
| 23, 25, 26, 27, 29, 30, 31, 32, 1, 2 | D[0:9] | LVC MOS, LV TTL, ECL Input | Low | Single-Ended Parallel Data Inputs [0:9]. Internal 75 k Ω to V _{EE} . (Note 1) |
| 3 | D[10] | LVC MOS, LV TTL, ECL Input | Low | Single-Ended CASCADE/CASCADE Control Input. Internal 75 k Ω to V _{EE} . (Note 1) |
| 4 | IN | ECL Input | Low | Noninverted Differential Input. Internal 75 k Ω to V _{EE} . |
| 5 | $\overline{\text{IN}}$ | ECL Input | High | Inverted Differential Input. Internal 75 k Ω to V _{EE} and 36.5 k Ω to V _{CC} . |
| 6 | V _{BB} | - | - | ECL Reference Voltage Output |
| 7 | V _{EF} | - | - | Reference Voltage for ECL Mode Connection |
| 8 | V _{CF} | - | - | LVC MOS, ECL, OR LV TTL Input Mode Select |
| 9, 24, 28 | V _{EE} | - | - | Negative Supply Voltage. All V _{EE} Pins must be Externally Connected to Power Supply to Guarantee Proper Operation. (Note 2) |
| 13, 18, 19, 22 | V _{CC} | - | - | Positive Supply Voltage. All V _{CC} Pins must be externally Connected to Power Supply to Guarantee Proper Operation. (Note 2) |
| 10 | LEN | ECL Input | Low | Single-ended D pins LOAD / HOLD input. Internal 75 k Ω to V _{EE} . |
| 11 | SETMIN | ECL Input | Low | Single-ended Minimum Delay Set Logic Input. Internal 75 k Ω to V _{EE} . (Note 1) |
| 12 | SETMAX | ECL Input | Low | Single-ended Maximum Delay Set Logic Input. Internal 75 k Ω to V _{EE} . (Note 1) |
| 14 | $\overline{\text{CASCADE}}$ | ECL Output | - | Inverted Differential Cascade Output for D[10]. Typically Terminated with 50 Ω to V _{TT} = V _{CC} - 2 V. |
| 15 | CASCADE | ECL Output | - | Noninverted Differential Cascade Output. for D[10] Typically Terminated with 50 Ω to V _{TT} = V _{CC} - 2 V. |
| 16 | $\overline{\text{EN}}$ | ECL Input | Low | Single-ended Output Enable Pin. Internal 75 k Ω to V _{EE} . |
| 17 | NC | - | - | No Connect. The NC Pin is Electrically Connected to the Die and "MUST BE" Left Open |
| 21 | Q | ECL Output | - | Noninverted Differential Output. Typically Terminated with 50 Ω to V _{TT} = V _{CC} - 2 V. |
| 20 | $\overline{\text{Q}}$ | ECL Output | - | Inverted Differential Output. Typically Terminated with 50 Ω to V _{TT} = V _{CC} - 2 V. |

1. SETMIN will override SETMAX if both are high. SETMAX and SETMIN will override all D[0:10] inputs.
2. All V_{CC} and V_{EE} pins must be externally connected to Power Supply to guarantee proper operation.

MC10EP195, MC100EP195

Table 2. CONTROL PIN

| Pin | State | Function |
|--------|--------------|------------------------------------------------------------------------------------------------------------------------|
| EN | LOW (Note 3) | Input Signal is Propagated to the Output |
| | HIGH | Output Holds Logic Low State |
| LEN | LOW (Note 3) | Transparent or LOAD mode for real time delay values present on D[0:10]. |
| | HIGH | LOCK and HOLD mode for delay values on D[0:10]; further changes on D[0:10] are not recognized and do not affect delay. |
| SETMIN | LOW (Note 3) | Output Delay set by D[0:10] |
| | HIGH | Set Minimum Output Delay |
| SETMAX | LOW (Note 3) | Output Delay set by D[0:10] |
| | HIGH | Set Maximum Output Delay |
| D10 | LOW (Note 3) | CASCADE Output LOW, $\overline{\text{CASCADE}}$ Output HIGH |
| | HIGH | $\overline{\text{CASCADE}}$ Output LOW, CASCADE Output HIGH |

3. Internal pulldown resistor will provide a logic LOW if pin is left unconnected.

Table 3. CONTROL D[0:10] INTERFACE

| | | |
|----------|-----------------------|---------------------|
| V_{CF} | V_{EF} Pin (Note 4) | ECL Mode |
| V_{CF} | No Connect | LVC MOS Mode |
| V_{CF} | 1.5 V \pm 100 mV | LVTTL Mode (Note 5) |

4. Short V_{CF} (pin 8) and V_{EF} (pin 7).

5. When Operating in LVTTL Mode, the reference voltage can be provided by connecting an external resistor, R_{CF} (suggested resistor value is 2.2 k Ω \pm 5%), between V_{CF} and V_{EE} pins.

Table 4. DATA INPUT ALLOWED OPERATING VOLTAGE MODE TABLE

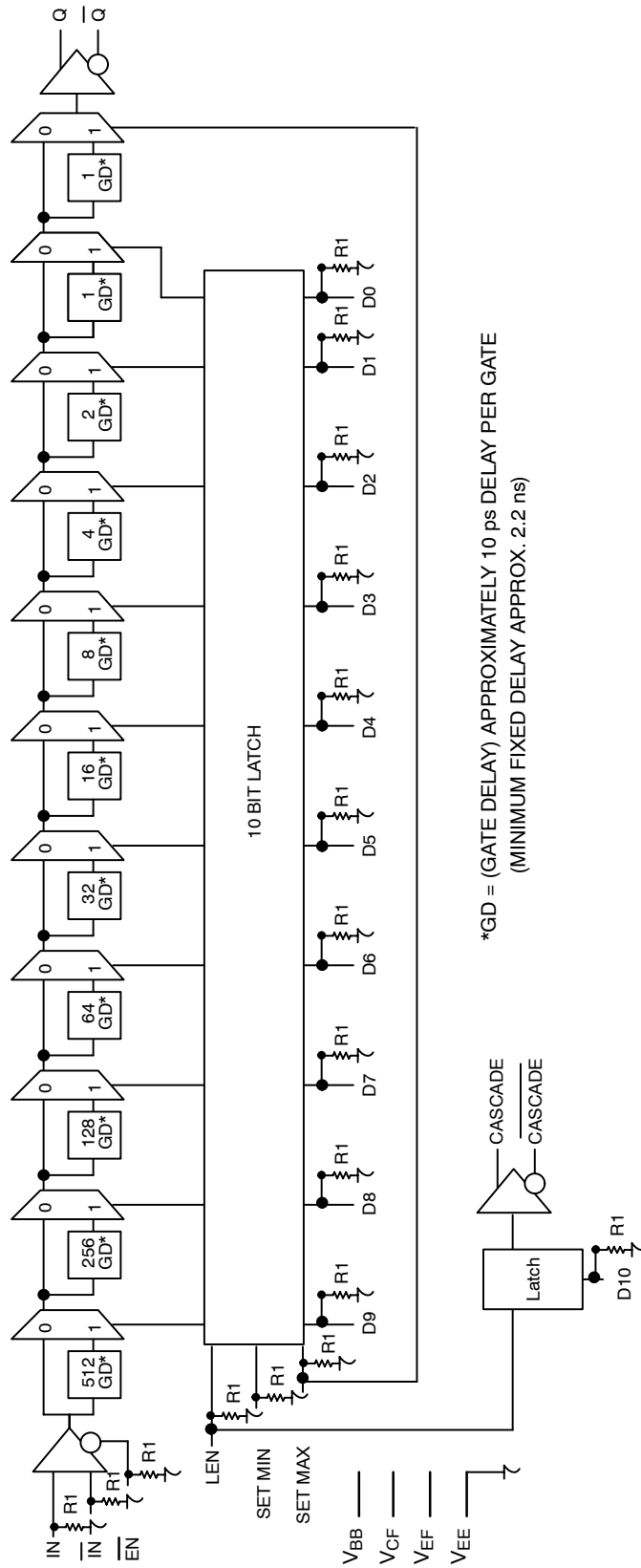
| POWER SUPPLY | CONTROL DATA SELECT INPUTS PINS (D [0:10]) | | | |
|---------------------------|--------------------------------------------|-------|--------|--------|
| | LVC MOS | LVTTL | LVPECL | LVNECL |
| PECL Mode Operating Range | YES | YES | YES | N/A |
| NECL Mode Operating Range | N/A | N/A | N/A | YES |

Table 5. ATTRIBUTES

| Characteristics | Value | |
|---------------------------------------------------------------|----------------------|-------------|
| Internal Input Pulldown Resistor (R1) | 75 k Ω | |
| ESD Protection | Human Body Model | > 2 kV |
| | Machine Model | > 100 V |
| | Charged Device Model | > 2 kV |
| Moisture Sensitivity, Indefinite Time Out of Drypack (Note 6) | Pb Pkg | Pb-Free Pkg |
| | LQFP-32 | Level 2 |
| | QFN-32 | Level 1 |
| Flammability Rating Oxygen Index: 28 to 34 | UL 94 V-0 @ 0.125 in | |
| Transistor Count | 1217 Devices | |
| Meets or exceeds JEDEC Spec EIA/JESD78 IC Latchup Test | | |

6. For additional information, see Application Note AND8003/D.

MC10EP195, MC100EP195



*GD = (GATE DELAY) APPROXIMATELY 10 ps DELAY PER GATE
(MINIMUM FIXED DELAY APPROX. 2.2 ns)

Figure 3. Logic Diagram

MC10EP195, MC100EP195

Table 6. THEORETICAL DELAY VALUES

| D(9:0) Value | SETMIN | SETMAX | Programmable Delay* |
|--------------|--------|--------|---------------------|
| XXXXXXXXXX | H | L | 0 ps |
| 000000000 | L | L | 0 ps |
| 000000001 | L | L | 10 ps |
| 000000010 | L | L | 20 ps |
| 000000011 | L | L | 30 ps |
| 000000100 | L | L | 40 ps |
| 000000101 | L | L | 50 ps |
| 000000110 | L | L | 60 ps |
| 000000111 | L | L | 70 ps |
| 000001000 | L | L | 80 ps |
| 000010000 | L | L | 160 ps |
| 000100000 | L | L | 320 ps |
| 001000000 | L | L | 640 ps |
| 001000000 | L | L | 1280 ps |
| 010000000 | L | L | 2560 ps |
| 100000000 | L | L | 5120 ps |
| 111111111 | L | L | 10230 ps |
| XXXXXXXXXX | L | H | 10240 ps |

*Fixed minimum delay not included.

MC10EP195, MC100EP195

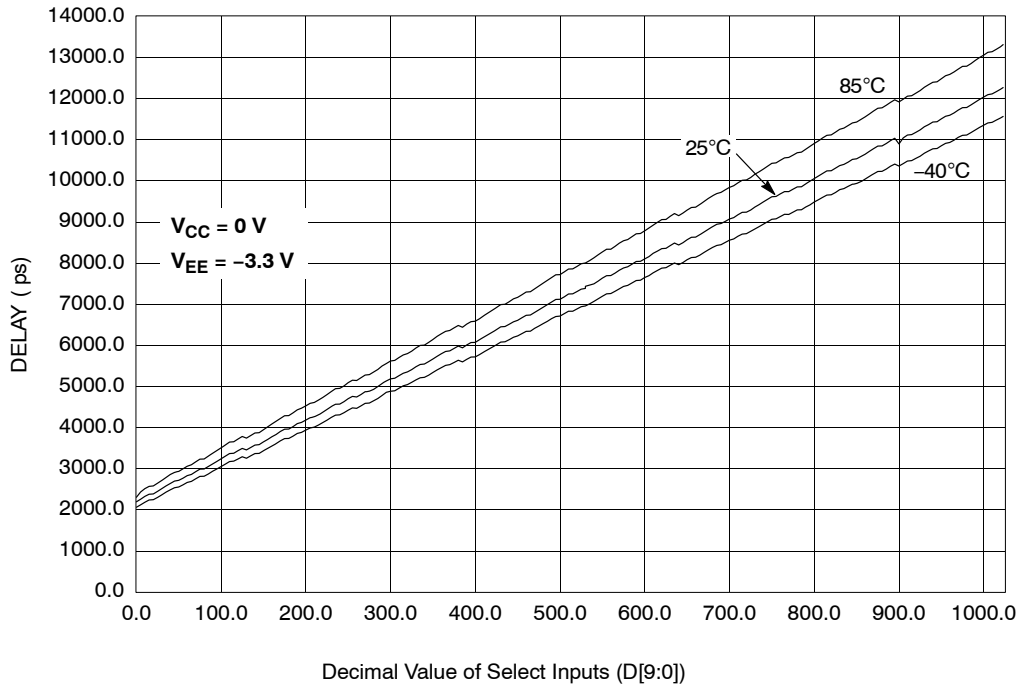


Figure 4. Measured Delay vs. Select Inputs

Table 7. MAXIMUM RATINGS

| Symbol | Parameter | Condition 1 | Condition 2 | Rating | Unit |
|---------------|------------------------------------------------------------|------------------------------------------------|------------------------------------------------------------------------------|-------------|------------------------------------------------------------|
| V_{CC} | Positive Mode Power Supply | $V_{EE} = 0\text{ V}$ | | 6 | V |
| V_{EE} | Negative Mode Power Supply | $V_{CC} = 0\text{ V}$ | | -6 | V |
| V_I | Positive Mode Input Voltage Negative Mode Input Voltage | $V_{EE} = 0\text{ V}$ $V_{CC} = 0\text{ V}$ | $V_I \leq V_{CC}$ $V_I \geq V_{EE}$ | 6 -6 | V V |
| I_{out} | Output Current | Continuous Surge | | 50 100 | mA mA |
| I_{BB} | V_{BB} Sink/Source | | | ± 0.5 | mA |
| T_A | Operating Temperature Range | | | -40 to +85 | $^{\circ}\text{C}$ |
| T_{stg} | Storage Temperature Range | | | -65 to +150 | $^{\circ}\text{C}$ |
| θ_{JA} | Thermal Resistance (Junction-to-Ambient) | 0 lfpm 500 lfpm | LQFP-23 LQFP-23 | 80 55 | $^{\circ}\text{C}/\text{W}$ $^{\circ}\text{C}/\text{W}$ |
| θ_{JC} | Thermal Resistance (Junction-to-Case) | Standard Board | LQFP-23 | 12 to 17 | $^{\circ}\text{C}/\text{W}$ |
| θ_{JA} | Thermal Resistance (Junction-to-Ambient) | 0 lfpm 500 lfpm | QFN-32 QFN-32 | 31 27 | $^{\circ}\text{C}/\text{W}$ $^{\circ}\text{C}/\text{W}$ |
| θ_{JC} | Thermal Resistance (Junction-to-Case) | 2S2P | QFN-32 | 12 | $^{\circ}\text{C}/\text{W}$ |
| T_{sol} | Wave Solder | Pb Pb-Free | <2 to 3 sec @ 248 $^{\circ}\text{C}$ <2 to 3 sec @ 260 $^{\circ}\text{C}$ | 265 265 | $^{\circ}\text{C}$ |

Stresses exceeding Maximum Ratings may damage the device. Maximum Ratings are stress ratings only. Functional operation above the Recommended Operating Conditions is not implied. Extended exposure to stresses above the Recommended Operating Conditions may affect device reliability.

MC10EP195, MC100EP195

Table 8. 10EP DC CHARACTERISTICS, PECL $V_{CC} = 3.3\text{ V}$, $V_{EE} = 0\text{ V}$ (Note 7)

| Symbol | Characteristic | -40°C | | | 25°C | | | 85°C | | | Unit | |
|-------------|----------------------------------------------------------------------------|------------------------|------|------|------|------|------|------|------|------|---------------|----|
| | | Min | Typ | Max | Min | Typ | Max | Min | Typ | Max | | |
| I_{EE} | Negative Power Supply Current | 100 | 145 | 175 | 100 | 150 | 180 | 100 | 150 | 180 | mA | |
| V_{OH} | Output HIGH Voltage (Note 8) | 2165 | 2290 | 2415 | 2230 | 2355 | 2480 | 2290 | 2415 | 2540 | mV | |
| V_{OL} | Output LOW Voltage (Note 8) | 1365 | 1490 | 1615 | 1430 | 1555 | 1680 | 1490 | 1615 | 1740 | mV | |
| V_{IH} | Input HIGH Voltage (Single-Ended) | LVPECL | 2090 | | 2415 | 2155 | | 2480 | 2215 | | 2540 | mV |
| | | LVC MOS | 2000 | | 3300 | 2000 | | 3300 | 2000 | | 3300 | |
| | | LVTTL | 2000 | | 3300 | 2000 | | 3300 | 2000 | | 3300 | |
| V_{IL} | Input LOW Voltage (Single-Ended) | LVPECL | 1365 | | 1690 | 1430 | | 1755 | 1490 | | 1815 | mV |
| | | LVC MOS | 0 | | 800 | 0 | | 800 | 0 | | 800 | |
| | | LVTTL | 0 | | 800 | 0 | | 800 | 0 | | 800 | |
| V_{BB} | ECL Output Voltage Reference | 1790 | 1890 | 1990 | 1855 | 1955 | 2055 | 1915 | 2015 | 2115 | mV | |
| V_{CF} | LVTTL Mode Input Detect Voltage | 1.4 | 1.5 | 1.6 | 1.4 | 1.5 | 1.6 | 1.4 | 1.5 | 1.6 | V | |
| V_{EF} | Reference Voltage for ECL Mode Connection | 1900 | 2020 | 2150 | 1875 | 2080 | 2150 | 1850 | 2130 | 2150 | mV | |
| V_{IHCMR} | Input HIGH Voltage Common Mode Range (Differential Configuration) (Note 9) | 2.0 | | 3.3 | 2.0 | | 3.3 | 2.0 | | 3.3 | V | |
| I_{IH} | Input HIGH Current (@ V_{IH}) | | | 150 | | | 150 | | | 150 | μA | |
| I_{IL} | Input LOW Current (@ V_{IL}) | IN | 0.5 | | | 0.5 | | | 0.5 | | μA | |
| | | $\overline{\text{IN}}$ | -150 | | | -150 | | | -150 | | | |

NOTE: Device will meet the specifications after thermal equilibrium has been established when mounted in a test socket or printed circuit board with maintained transverse airflow greater than 500 lfm. Electrical parameters are guaranteed only over the declared operating temperature range. Functional operation of the device exceeding these conditions is not implied. Device specification limit values are applied individually under normal operating conditions and not valid simultaneously.

7. Input and output parameters vary 1:1 with V_{CC} . V_{EE} can vary +0.3 V to -0.3 V.

8. All loading with 50 Ω to $V_{CC} - 2.0\text{ V}$.

9. V_{IHCMR} min varies 1:1 with V_{EE} , V_{IHCMR} max varies 1:1 with V_{CC} . The V_{IHCMR} range is referenced to the most positive side of the differential input signal.

MC10EP195, MC100EP195

Table 9. 10EP DC CHARACTERISTICS, NECL $V_{CC} = 0\text{ V}$, $V_{EE} = -3.3\text{ V to } -3.0\text{ V}$ (Note 10)

| Symbol | Characteristic | -40°C | | | 25°C | | | 85°C | | | Unit |
|-------------|-----------------------------------------------------------------------------------|------------------------|-------|-------|--------------|-------|-------|--------------|-------|-------|---------------|
| | | Min | Typ | Max | Min | Typ | Max | Min | Typ | Max | |
| I_{EE} | Negative Power Supply Current | 100 | 145 | 175 | 100 | 150 | 180 | 100 | 150 | 180 | mA |
| V_{OH} | Output HIGH Voltage (Note 11) | -1135 | -1010 | -885 | -1070 | -945 | -820 | -1010 | -885 | -760 | mV |
| V_{OL} | Output LOW Voltage (Note 11) | -1935 | -1810 | -1685 | -1870 | -1745 | -1620 | -1810 | -1685 | -1560 | mV |
| V_{IH} | Input HIGH Voltage (Single-Ended) LVNECL | -1210 | | -885 | -1145 | | -820 | -1085 | | -760 | mV |
| V_{IL} | Input LOW Voltage (Single-Ended) LVNECL | -1935 | | -1610 | -1870 | | -1545 | -1810 | | -1485 | mV |
| V_{BB} | ECL Output Voltage Reference | -1510 | -1410 | -1310 | -1445 | -1345 | -1245 | -1385 | -1285 | -1185 | mV |
| V_{EF} | Reference Voltage for ECL Mode Connection | -1400 | -1280 | -1250 | -1425 | -1220 | -1250 | -1450 | -1170 | -1250 | mV |
| V_{IHCMR} | Input HIGH Voltage Common Mode Range (Differential Configuration) (Note 12) | $V_{EE}+2.0$ | | 0.0 | $V_{EE}+2.0$ | | 0.0 | $V_{EE}+2.0$ | | 0.0 | V |
| I_{IH} | Input HIGH Current (@ V_{IH}) | | | 150 | | | 150 | | | 150 | μA |
| I_{IL} | Input LOW Current (@ V_{IL}) | | | | | | | | | | μA |
| | | IN | 0.5 | | 0.5 | | | 0.5 | | | |
| | | $\overline{\text{IN}}$ | -150 | | -150 | | | -150 | | | |

NOTE: Device will meet the specifications after thermal equilibrium has been established when mounted in a test socket or printed circuit board with maintained transverse airflow greater than 500 lfm. Electrical parameters are guaranteed only over the declared operating temperature range. Functional operation of the device exceeding these conditions is not implied. Device specification limit values are applied individually under normal operating conditions and not valid simultaneously.

10. Input and output parameters vary 1:1 with V_{CC} . V_{EE} can vary +0.3 V to -0.3 V.

11. All loading with 50 Ω to $V_{CC} - 2.0\text{ V}$.

12. V_{IHCMR} min varies 1:1 with V_{EE} . V_{IHCMR} max varies 1:1 with V_{CC} . The V_{IHCMR} range is referenced to the most positive side of the differential input signal.

MC10EP195, MC100EP195

Table 10. 100EP DC CHARACTERISTICS, PECL $V_{CC} = 3.3\text{ V}$, $V_{EE} = 0\text{ V}$ (Note 13)

| Symbol | Characteristic | -40°C | | | 25°C | | | 85°C | | | Unit |
|-------------|-----------------------------------------------------------------------------|-------|------|------|------|------|------|------|------|------|---------------|
| | | Min | Typ | Max | Min | Typ | Max | Min | Typ | Max | |
| I_{EE} | Negative Power Supply Current | 100 | 135 | 160 | 100 | 140 | 170 | 100 | 145 | 175 | mA |
| V_{OH} | Output HIGH Voltage (Note 14) | 2155 | 2280 | 2405 | 2155 | 2280 | 2405 | 2155 | 2280 | 2405 | mV |
| V_{OL} | Output LOW Voltage (Note 14) | 1355 | 1480 | 1605 | 1355 | 1480 | 1605 | 1355 | 1480 | 1605 | mV |
| V_{IH} | Input HIGH Voltage (Single-Ended) | | | | | | | | | | mV |
| | LVPECL | 2075 | | 2420 | 2075 | | 2420 | 2075 | | 2420 | |
| | CMOS | 2000 | | 3300 | 2000 | | 3300 | 2000 | | 3300 | |
| | TTL | 2000 | | 3300 | 2000 | | 3300 | 2000 | | 3300 | |
| V_{IL} | Input LOW Voltage (Single-Ended) | | | | | | | | | | mV |
| | LVPECL | 1355 | | 1675 | 1490 | | 1675 | 1490 | | 1675 | |
| | CMOS | 0 | | 800 | 0 | | 800 | 0 | | 800 | |
| | TTL | 0 | | 800 | 0 | | 800 | 0 | | 800 | |
| V_{BB} | ECL Output Voltage Reference | 1775 | 1875 | 1975 | 1775 | 1875 | 1975 | 1775 | 1875 | 1975 | mV |
| V_{CF} | LVTTTL Mode Input Detect Voltage | 1.4 | 1.5 | 1.6 | 1.4 | 1.5 | 1.6 | 1.4 | 1.5 | 1.6 | V |
| V_{EF} | Reference Voltage for ECL Mode Connection | 1900 | 2020 | 2150 | 1875 | 2080 | 2150 | 1850 | 2130 | 2150 | mV |
| V_{IHCMR} | Input HIGH Voltage Common Mode Range (Differential Configuration) (Note 15) | 2.0 | | 3.3 | 2.0 | | 3.3 | 2.0 | | 3.3 | V |
| I_{IH} | Input HIGH Current (@ V_{IH}) | | | 150 | | | 150 | | | 150 | μA |
| I_{IL} | Input LOW Current (@ V_{IL}) | | | | | | | | | | μA |
| | IN | 0.5 | | | 0.5 | | | 0.5 | | | |
| | IN | -150 | | | -150 | | | -150 | | | |

NOTE: Device will meet the specifications after thermal equilibrium has been established when mounted in a test socket or printed circuit board with maintained transverse airflow greater than 500 lfm. Electrical parameters are guaranteed only over the declared operating temperature range. Functional operation of the device exceeding these conditions is not implied. Device specification limit values are applied individually under normal operating conditions and not valid simultaneously.

13. Input and output parameters vary 1:1 with V_{CC} . V_{EE} can vary +0.3 V to -0.3 V.

14. All loading with 50 Ω to $V_{CC} - 2.0\text{ V}$.

15. V_{IHCMR} min varies 1:1 with V_{EE} . V_{IHCMR} max varies 1:1 with V_{CC} . The V_{IHCMR} range is referenced to the most positive side of the differential input signal.

MC10EP195, MC100EP195

Table 11. 100EP DC CHARACTERISTICS, NECL $V_{CC} = 0\text{ V}$, $V_{EE} = -3.3\text{ V}$ (Note 16)

| Symbol | Characteristic | -40°C | | | 25°C | | | 85°C | | | Unit |
|-------------|-----------------------------------------------------------------------------|-----------------|-------------|-------|-----------------|-------------|-------|--------------|-------|-------|---------------|
| | | Min | Typ | Max | Min | Typ | Max | Min | Typ | Max | |
| I_{EE} | Negative Power Supply Current (Note 17) | 100 | 135 | 160 | 100 | 140 | 170 | 100 | 145 | 175 | mA |
| V_{OH} | Output HIGH Voltage (Note 18) | -1145 | -1020 | -895 | -1145 | -1020 | -895 | -1145 | -1020 | -895 | mV |
| V_{OL} | Output LOW Voltage (Note 18) | -1945 | -1820 | -1695 | -1945 | -1820 | -1695 | -1945 | -1820 | -1695 | mV |
| V_{IH} | Input HIGH Voltage (Single-Ended) LVNECL | -1225 | | -880 | -1225 | | -880 | -1225 | | -880 | mV |
| V_{IL} | Input LOW Voltage (Single-Ended) LVNECL | -1945 | | -1625 | -1945 | | -1625 | -1945 | | -1625 | mV |
| V_{BB} | ECL Output Voltage Reference | -1525 | -1425 | -1325 | -1525 | -1425 | -1325 | -1525 | -1425 | -1325 | mV |
| V_{EF} | Reference Voltage for ECL Mode Connection | -1400 | -1280 | -1250 | -1425 | -1220 | -1250 | -1450 | -1170 | -1250 | mV |
| V_{IHCMR} | Input HIGH Voltage Common Mode Range (Differential Configuration) (Note 19) | $V_{EE}+2.0$ | | 0.0 | $V_{EE}+2.0$ | | 0.0 | $V_{EE}+2.0$ | | 0.0 | V |
| I_{IH} | Input HIGH Current (@ V_{IH}) | | | 150 | | | 150 | | | 150 | μA |
| I_{IL} | Input LOW Current (@ V_{IL}) | \overline{IN} | 0.5 -150 | | \overline{IN} | 0.5 -150 | | 0.5 -150 | | | μA |

NOTE: Device will meet the specifications after thermal equilibrium has been established when mounted in a test socket or printed circuit board with maintained transverse airflow greater than 500 lfm. Electrical parameters are guaranteed only over the declared operating temperature range. Functional operation of the device exceeding these conditions is not implied. Device specification limit values are applied individually under normal operating conditions and not valid simultaneously.

16. Input and output parameters vary 1:1 with V_{CC} . V_{EE} can vary +0.3 V to -0.3 V.

17. Required 500 lfm air flow when using +5 V power supply. For $(V_{CC} - V_{EE}) > 3.3\text{ V}$, 5 Ω to 10 Ω in line with V_{EE} required for maximum thermal protection at elevated temperatures. Recommend $V_{CC} - V_{EE}$ operation at $\leq 3.8\text{ V}$.

18. All loading with 50 Ω to $V_{CC} - 2.0\text{ V}$.

19. V_{IHCMR} min varies 1:1 with V_{EE} , V_{IHCMR} max varies 1:1 with V_{CC} . The V_{IHCMR} range is referenced to the most positive side of the differential input signal.

MC10EP195, MC100EP195

Table 12. AC CHARACTERISTICS $V_{CC} = 0\text{ V}$; $V_{EE} = -3.0\text{ V to }-3.6\text{ V}$ or $V_{CC} = 3.0\text{ V to }3.6\text{ V}$; $V_{EE} = 0\text{ V}$ (Note 20)

| Symbol | Characteristic | -40°C | | | 25°C | | | 85°C | | | Unit |
|------------------------|------------------------------------------------------------------------------------------------------------------------------------|-----------------------------|-------------------------------------------------------------------|------------------------------|------------------------------|-------------------------------------------------------------------|------------------------------|------------------------------|--------------------------------------------------------|------------------------------|------|
| | | Min | Typ | Max | Min | Typ | Max | Min | Typ | Max | |
| f_{max} | Maximum Frequency | | 1.2 | | | 1.2 | | | 1.2 | | GHz |
| t_{PLH} t_{PHL} | Propagation Delay IN to Q; D(0-10) = 0 IN to Q; D(0-10) = 1023 \overline{EN} to Q; D(0-10) = 0 D0 to CASCADE | 1650 9500 1600 300 | 2050 11500 2150 420 | 2450 13500 2600 500 | 1800 10000 1800 350 | 2200 12200 2300 450 | 2600 14000 2800 550 | 1950 10800 2000 425 | 2350 13300 2500 525 | 2750 15800 3000 625 | ps |
| t_{RANGE} | Programmable Range $t_{PD}(\text{max}) - t_{PD}(\text{min})$ | 7850 | 9450 | | 8200 | 10000 | | 8850 | 10950 | | ps |
| Δt | Step Delay (Note 21) D0 High D1 High D2 High D3 High D4 High D5 High D6 High D7 High D8 High D9 High | | 13 27 44 90 130 312 590 1100 2250 4500 | | | 14 30 47 97 140 335 650 1180 2400 4800 | | | 41 100 145 360 690 1300 2650 5300 | | ps |
| mono | Monotonicity (Note 27) | | | | | TBD | | | | | |
| t_{SKEW} | Duty Cycle Skew (Note 22) $ t_{PHL} - t_{PLH} $ | | 25 | | | 25 | | | 25 | | ps |
| t_s | Setup Time D to LEN D to IN (Note 23) EN to IN (Note 24) | 200 300 300 | 0 140 150 | | 200 300 300 | 0 160 170 | | 200 300 300 | 0 180 180 | | ps |
| t_h | Hold Time LEN to D IN to \overline{EN} (Note 25) | 200 400 | 60 250 | | 200 400 | 100 280 | | 200 400 | 80 300 | | ps |
| t_R | Release Time \overline{EN} to IN (Note 26) SET MAX to LEN SET MIN to LEN | 150 400 350 | -25 200 275 | | 150 400 350 | -75 250 200 | | 150 400 350 | -50 300 225 | | ps |
| t_{jitter} | RMS Random Clock Jitter @ 1.2 GHz IN to Q; D(0:10) = 0 or SETMIN IN to Q; D(0:10) = 1023 or SETMAX | | 0.86 0.89 | | | 1.16 1.09 | | | 1.12 1.02 | | ps |
| V_{PP} | Input Voltage Swing (Differential Configuration) | 150 | 800 | 1200 | 150 | 800 | 1200 | 150 | 800 | 1200 | mV |
| t_r t_f | Output Rise/Fall Time @ 50 MHz 20-80% (Q) 20-80% (CASCADE) | 85 100 | 100 140 | 135 200 | 85 110 | 110 150 | 135 200 | 95 130 | 125 170 | 155 220 | ps |

NOTE: Device will meet the specifications after thermal equilibrium has been established when mounted in a test socket or printed circuit board with maintained transverse airflow greater than 500 lfm. Electrical parameters are guaranteed only over the declared operating temperature range. Functional operation of the device exceeding these conditions is not implied. Device specification limit values are applied individually under normal operating conditions and not valid simultaneously.

20. Measured using a 750 mV source, 50% duty cycle clock source. All loading with 50 Ω to $V_{CC} - 2.0\text{ V}$.

21. Specification limits represent the amount of delay added with the assertion of each individual delay control pin. The various combinations of asserted delay control inputs will typically realize D0 resolution steps across the specified programmable range.

22. Duty cycle skew guaranteed only for differential operation measured from the cross point of the input to the cross point of the output.

23. This setup time defines the amount of time prior to the input signal the delay tap of the device must be set.

24. This setup time is the minimum time that \overline{EN} must be asserted prior to the next transition of IN/ \overline{IN} to prevent an output response greater than $\pm 75\text{ mV}$ to that IN/ \overline{IN} transition.

25. This hold time is the minimum time that \overline{EN} must remain asserted after a negative going IN or positive going \overline{IN} to prevent an output response greater than $\pm 75\text{ mV}$ to that IN/ \overline{IN} transition.

26. This release time is the minimum time that \overline{EN} must be deasserted prior to the next IN/ \overline{IN} transition to ensure an output response that meets the specified IN to Q propagation delay and transition times.

27. The monotonicity indicates the increasing delay value for each binary count increment on the control inputs D[9:0].

MC10EP195, MC100EP195

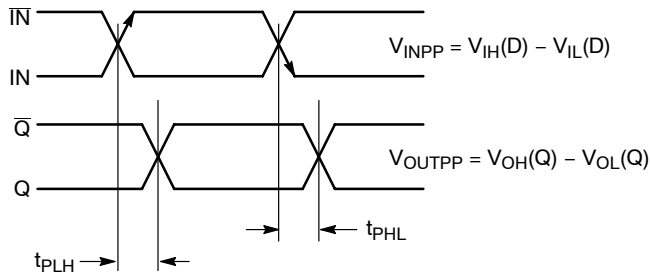


Figure 5. AC Reference Measurement

Cascading Multiple EP195s

To increase the programmable range of the EP195, internal cascade circuitry has been included. This circuitry allows for the cascading of multiple EP195s without the need for any external gating. Furthermore, this capability requires only one more address line per added EP195. Obviously, cascading multiple programmable delay chips will result in a larger programmable range; however, this increase is at the expense of a longer minimum delay.

Figure 6 illustrates the interconnect scheme for cascading two EP195s. As can be seen, this scheme can easily be expanded for larger EP195 chains. The D10 input of the EP195 is the CASCADE control pin. With the interconnect scheme of Figure 6 when D10 is asserted, it signals the need for a larger programmable range than is achievable with a single device and switches output pin CASCADE HIGH and pin $\overline{\text{CASCADE}}$ LOW. The A11 address can be added to generate a cascade output for the next EP195. For a 2-device configuration, A11 is not required.

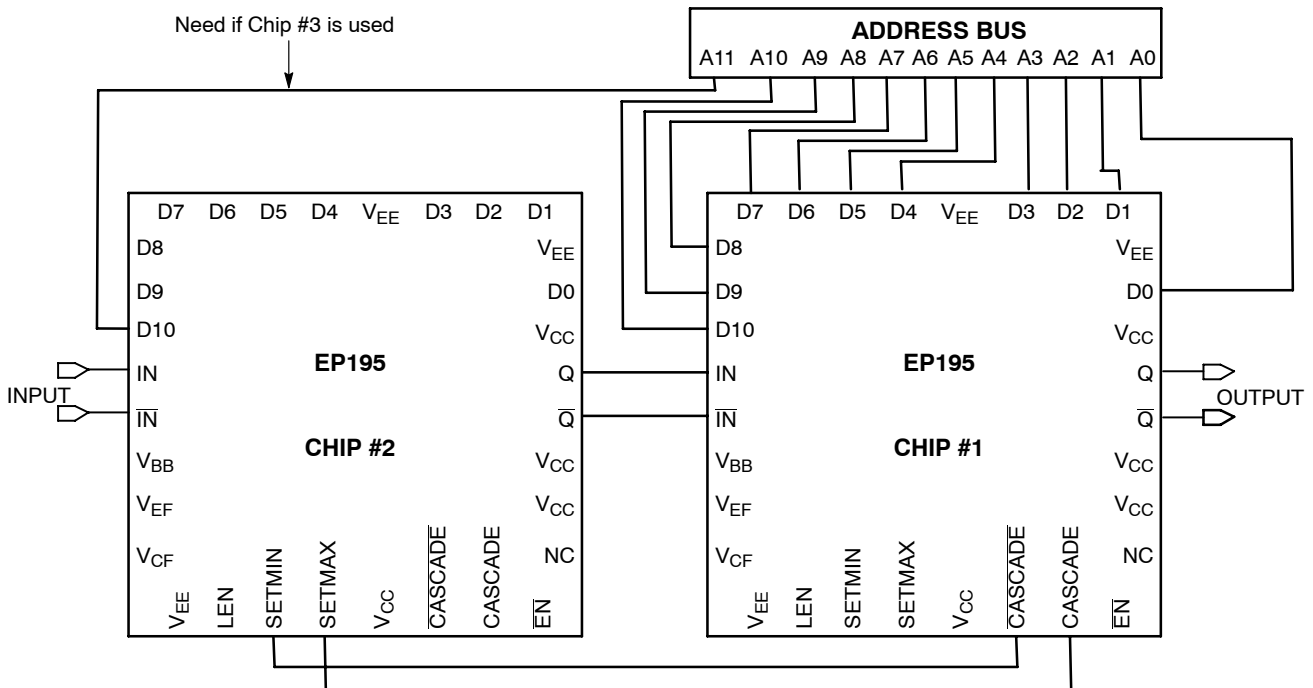


Figure 6. Cascading Interconnect Architecture

MC10EP195, MC100EP195

An expansion of the latch section of the block diagram is pictured in Figure 7. Use of this diagram will simplify the explanation of how the cascade circuitry works. When D10 of chip #1 in Figure 6 is LOW this device's CASCADE output will also be low while the CASCADE output will be high. In this condition the SET MIN pin of chip #2 will be asserted HIGH and thus all of the latches of chip #2 will be reset and the device will be set at its minimum delay.

Chip #1, on the other hand, will have both SET MIN and SET MAX deasserted so that its delay will be controlled entirely by the address bus A0—A9. If the delay needed is greater than can be achieved with 1023 gate delays

(111111111 on the A0—A9 address bus) D10 will be asserted to signal the need to cascade the delay to the next EP195 device. When D10 is asserted, the SET MIN pin of chip #2 will be deasserted and SET MAX pin asserted resulting in the device delay to be the maximum delay. Table 13 shows the delay time of two EP195 chips in cascade.

To expand this cascading scheme to more devices, one simply needs to connect the D10 pin from the next chip to the address bus and CASCADE outputs to the next chip in the same manner as pictured in Figure 6. The only addition to the logic is the increase of one line to the address bus for cascade control of the second programmable delay chip.

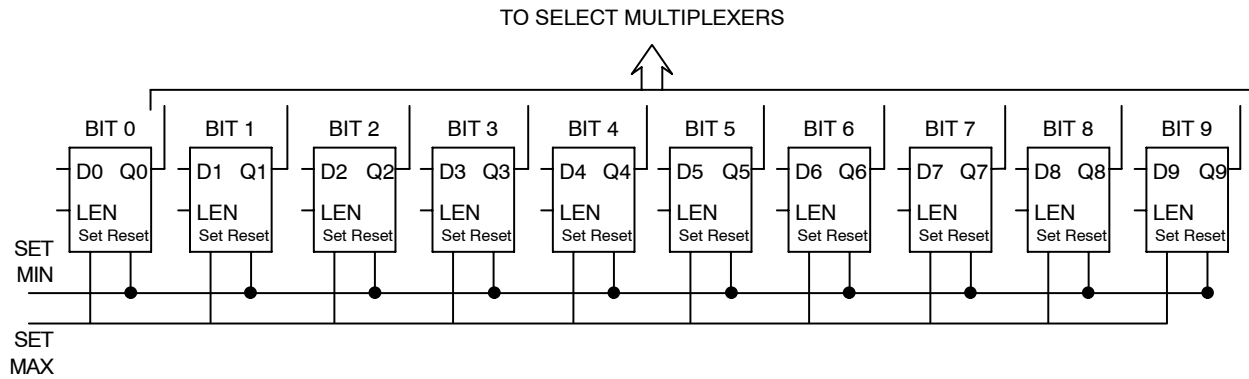


Figure 7. Expansion of the Latch Section of the EP195 Block Diagram

MC10EP195, MC100EP195

Table 13. Delay Value of Two EP195 Cascaded

| VARIABLE INPUT TO CHIP #1 AND SETMIN FOR CHIP #2 | | | | | | | | | | | | |
|--------------------------------------------------|----|----|----|----|----|----|----|----|----|----|-------------|----------------------|
| INPUT FOR CHIP #1 | | | | | | | | | | | Delay Value | Total Delay Value |
| D10 | D9 | D8 | D7 | D6 | D5 | D4 | D3 | D2 | D1 | D0 | | |
| 0 | 0 | 0 | 0 | 0 | 0 | 0 | 0 | 0 | 0 | 0 | 0 ps | 4400 ps |
| 0 | 0 | 0 | 0 | 0 | 0 | 0 | 0 | 0 | 0 | 1 | 10 ps | 4410 ps |
| 0 | 0 | 0 | 0 | 0 | 0 | 0 | 0 | 0 | 1 | 0 | 20 ps | 4420 ps |
| 0 | 0 | 0 | 0 | 0 | 0 | 0 | 0 | 0 | 1 | 1 | 30 ps | 4430 ps |
| 0 | 0 | 0 | 0 | 0 | 0 | 0 | 0 | 1 | 0 | 0 | 40 ps | 4440 ps |
| 0 | 0 | 0 | 0 | 0 | 0 | 0 | 0 | 1 | 0 | 1 | 50 ps | 4450 ps |
| 0 | 0 | 0 | 0 | 0 | 0 | 0 | 0 | 1 | 1 | 0 | 60 ps | 4460 ps |
| 0 | 0 | 0 | 0 | 0 | 0 | 0 | 0 | 1 | 1 | 1 | 70 ps | 4470 ps |
| 0 | 0 | 0 | 0 | 0 | 0 | 0 | 1 | 0 | 0 | 0 | 80 ps | 4480 ps |
| 0 | 0 | 0 | 0 | 0 | 0 | 1 | 0 | 0 | 0 | 0 | 160 ps | 4560 ps |
| 0 | 0 | 0 | 0 | 0 | 1 | 0 | 0 | 0 | 0 | 0 | 220 ps | 4720 ps |
| 0 | 0 | 0 | 0 | 1 | 0 | 0 | 0 | 0 | 0 | 0 | 640 ps | 5040 ps |
| 0 | 0 | 0 | 1 | 0 | 0 | 0 | 0 | 0 | 0 | 0 | 1280 ps | 5680 ps |
| 0 | 0 | 1 | 0 | 0 | 0 | 0 | 0 | 0 | 0 | 0 | 2560 ps | 6960 ps |
| 0 | 1 | 0 | 0 | 0 | 0 | 0 | 0 | 0 | 0 | 0 | 5120 ps | 9520 ps |
| 0 | 1 | 1 | 1 | 1 | 1 | 1 | 1 | 1 | 1 | 1 | 10230 ps | 14630 ps |

| VARIABLE INPUT TO CHIP #1 AND SETMAX FOR CHIP #2 | | | | | | | | | | | | |
|--------------------------------------------------|----|----|----|----|----|----|----|----|----|----|-------------|----------------------|
| INPUT FOR CHIP #1 | | | | | | | | | | | Delay Value | Total Delay Value |
| D10 | D9 | D8 | D7 | D6 | D5 | D4 | D3 | D2 | D1 | D0 | | |
| 1 | 0 | 0 | 0 | 0 | 0 | 0 | 0 | 0 | 0 | 0 | 10240 ps | 14640 ps |
| 1 | 0 | 0 | 0 | 0 | 0 | 0 | 0 | 0 | 0 | 1 | 10250 ps | 14650 ps |
| 1 | 0 | 0 | 0 | 0 | 0 | 0 | 0 | 0 | 1 | 0 | 10260 ps | 14660 ps |
| 1 | 0 | 0 | 0 | 0 | 0 | 0 | 0 | 0 | 1 | 1 | 10270 ps | 14670 ps |
| 1 | 0 | 0 | 0 | 0 | 0 | 0 | 0 | 1 | 0 | 0 | 10280 ps | 14680 ps |
| 1 | 0 | 0 | 0 | 0 | 0 | 0 | 0 | 1 | 0 | 1 | 10290 ps | 14690 ps |
| 1 | 0 | 0 | 0 | 0 | 0 | 0 | 0 | 1 | 1 | 0 | 10300 ps | 14700 ps |
| 1 | 0 | 0 | 0 | 0 | 0 | 0 | 0 | 1 | 1 | 1 | 10310 ps | 14710 ps |
| 1 | 0 | 0 | 0 | 0 | 0 | 0 | 1 | 0 | 0 | 0 | 10320 ps | 14720 ps |
| 1 | 0 | 0 | 0 | 0 | 0 | 1 | 0 | 0 | 0 | 0 | 10400 ps | 14800 ps |
| 1 | 0 | 0 | 0 | 0 | 1 | 0 | 0 | 0 | 0 | 0 | 10560 ps | 14960 ps |
| 1 | 0 | 0 | 0 | 1 | 0 | 0 | 0 | 0 | 0 | 0 | 10880 ps | 15280 ps |
| 1 | 0 | 0 | 1 | 0 | 0 | 0 | 0 | 0 | 0 | 0 | 11520 ps | 15920 ps |
| 1 | 0 | 1 | 0 | 0 | 0 | 0 | 0 | 0 | 0 | 0 | 12800 ps | 17200 ps |
| 1 | 1 | 0 | 0 | 0 | 0 | 0 | 0 | 0 | 0 | 0 | 15360 ps | 19760 ps |
| 1 | 1 | 1 | 1 | 1 | 1 | 1 | 1 | 1 | 1 | 1 | 20470 ps | 24870 ps |

MC10EP195, MC100EP195

Multi-Channel Deskewing

The most practical application for EP195 is in multiple channel delay matching. Slight differences in impedance and cable length can create large timing skews within a high-speed system. To deskew multiple signal channels, each channel can

be sent through each EP195 as shown in Figure 8. One signal channel can be used as reference and the other EP195s can be used to adjust the delay to eliminate the timing skews. Nearly any high-speed system can be fine-tuned (as small as 10 ps) to reduce the skew to extremely tight tolerances.

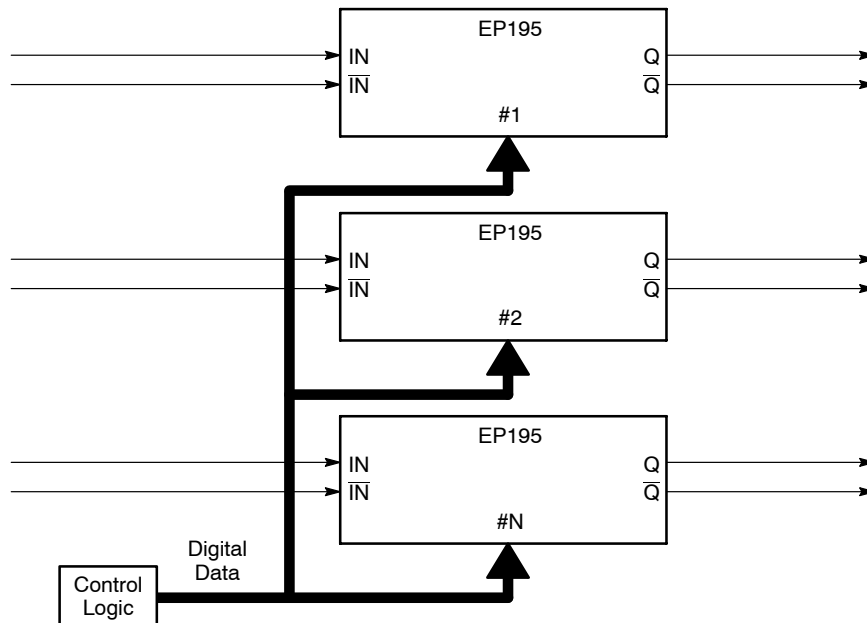


Figure 8. Multiple Channel Deskewing Diagram

Measure Unknown High Speed Device Delays

EP195s provide a possible solution to measure the unknown delay of a device with a high degree of precision. By combining two EP195s and EP31 as shown in Figure 9, the delay can be measured. The first EP195 can be set to SETMIN and its output is used to drive the unknown delay device, which in turn drives the input of a D flip-flop of EP31. The second EP195 is triggered along with the first EP195 and its output provides a clock signal for EP31. The programmed delay of the second EP195 is varied to detect the output edge from the unknown delay device.

If the programmed delay through the second EP195 is too long, the flip-flop output will be at logic high. On the other hand, if the programmed delay through the second EP195 is too short, the flip-flop output will be at a logic low. If the programmed delay is correctly fine-tuned in the second EP195, the flip-flop will bounce between logic high and logic low. The digital code in the second EP195 can be directly correlated into an accurate device delay.

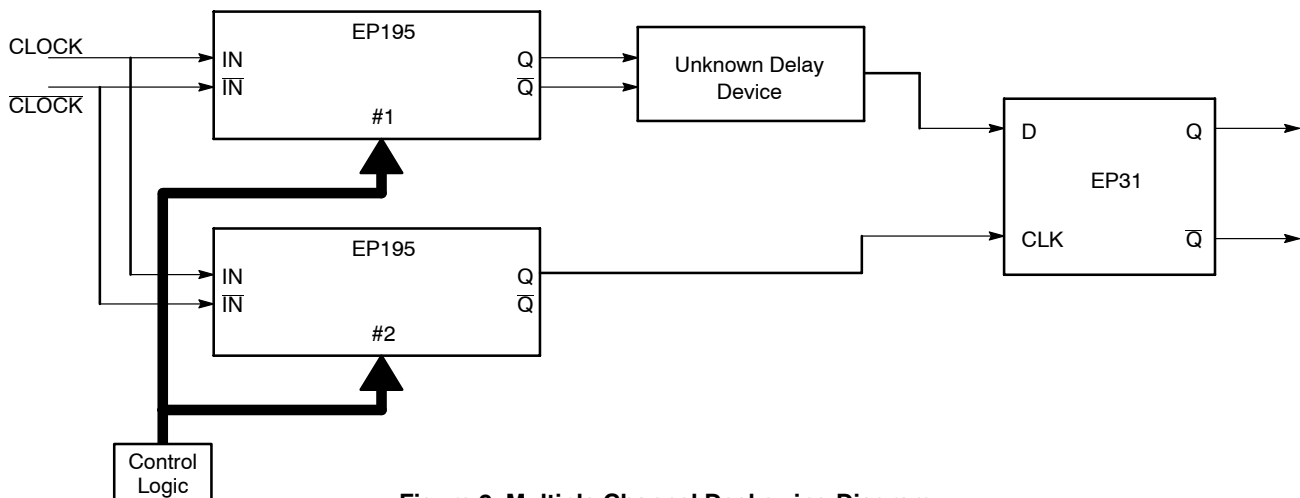
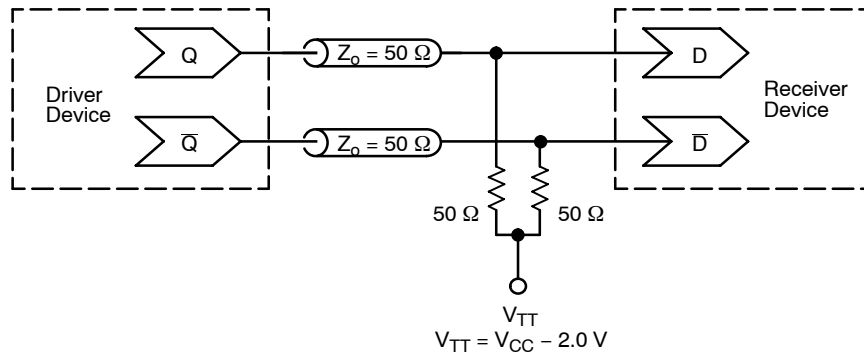


Figure 9. Multiple Channel Deskewing Diagram

MC10EP195, MC100EP195



**Figure 10. Typical Termination for Output Driver and Device Evaluation
(See Application Note AND8020/D – Termination of ECL Logic Devices.)**

ORDERING INFORMATION

| Device | Package | Shipping† |
|-----------------|----------------------|--------------------|
| MC10EP195FA | LQFP-32 | 250 Units / Tray |
| MC10EP195FAG | LQFP-32 (Pb-Free) | 250 Units / Tray |
| MC10EP195FAR2 | LQFP-32 | 2000 / Tape & Reel |
| MC10EP195FAR2G | LQFP-32 (Pb-Free) | 2000 / Tape & Reel |
| MC10EP195MNG | QFN-32 (Pb-Free) | 74 Units / Rail |
| MC10EP195MNR4G | QFN-32 (Pb-Free) | 1000 / Tape & Reel |
| MC100EP195FA | LQFP-32 | 250 Units / Tray |
| MC100EP195FAG | LQFP-32 (Pb-Free) | 250 Units / Tray |
| MC100EP195FAR2 | LQFP-32 | 2000 / Tape & Reel |
| MC100EP195FAR2G | LQFP-32 (Pb-Free) | 2000 / Tape & Reel |
| MC100EP195MNG | QFN-32 (Pb-Free) | 74 Units / Rail |
| MC100EP195MNR4G | QFN-32 (Pb-Free) | 1000 / Tape & Reel |

†For information on tape and reel specifications, including part orientation and tape sizes, please refer to our Tape and Reel Packaging Specifications Brochure, BRD8011/D.

MC10EP195, MC100EP195

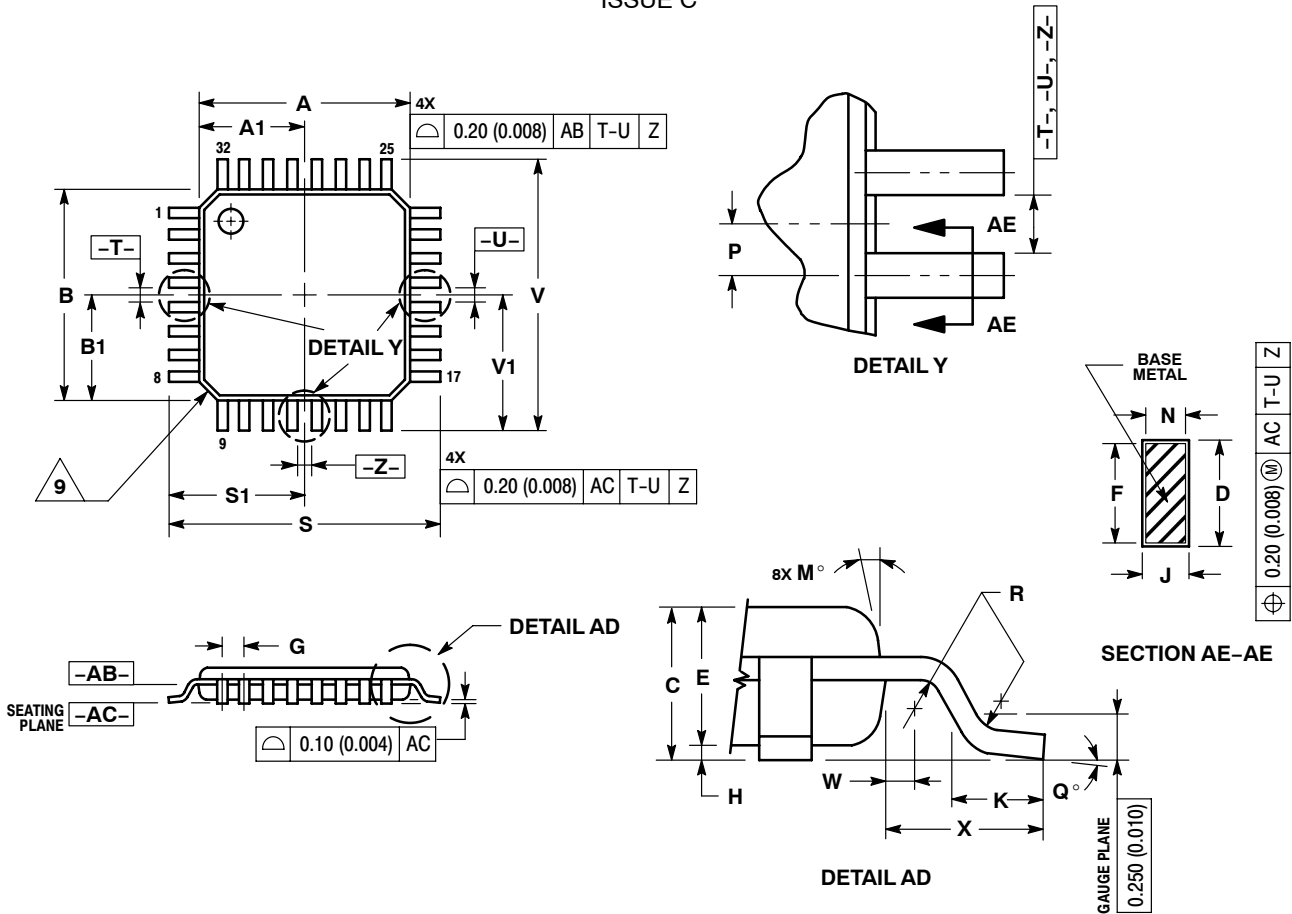
Resource Reference of Application Notes

- AN1405/D** – ECL Clock Distribution Techniques
- AN1406/D** – Designing with PECL (ECL at +5.0 V)
- AN1503/D** – ECLinPS™ I/O SPiCE Modeling Kit
- AN1504/D** – Metastability and the ECLinPS Family
- AN1568/D** – Interfacing Between LVDS and ECL
- AN1672/D** – The ECL Translator Guide
- AND8001/D** – Odd Number Counters Design
- AND8002/D** – Marking and Date Codes
- AND8020/D** – Termination of ECL Logic Devices
- AND8066/D** – Interfacing with ECLinPS
- AND8090/D** – AC Characteristics of ECL Devices

MC10EP195, MC100EP195

PACKAGE DIMENSIONS

32 LEAD LQFP
CASE 873A-02
ISSUE C



NOTES:

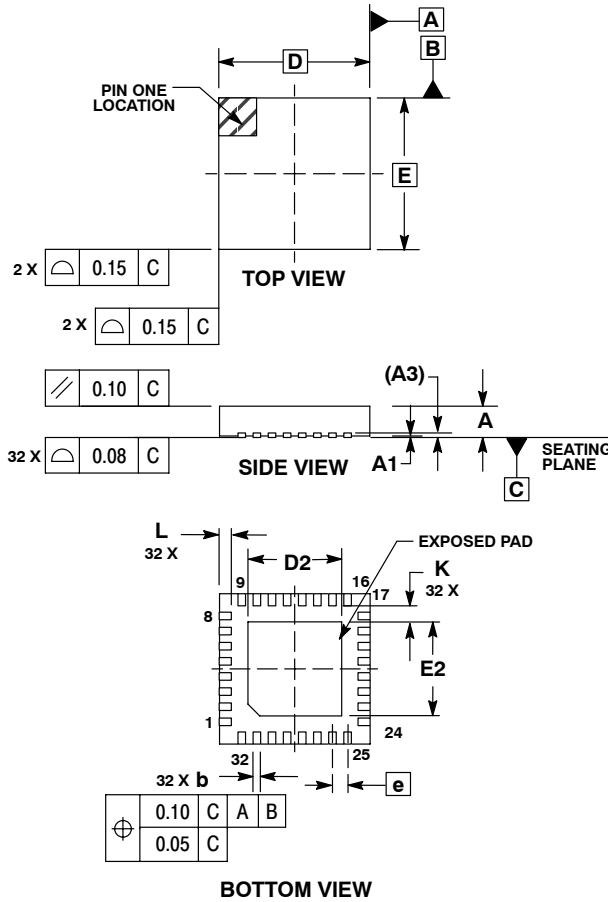
- DIMENSIONING AND TOLERANCING PER ANSI Y14.5M, 1982.
- CONTROLLING DIMENSION: MILLIMETER.
- DATUM PLANE -AB- IS LOCATED AT BOTTOM OF LEAD AND IS COINCIDENT WITH THE LEAD WHERE THE LEAD EXITS THE PLASTIC BODY AT THE BOTTOM OF THE PARTING LINE.
- DATUMS -T-, -U-, AND -Z- TO BE DETERMINED AT DATUM PLANE -AB-.
- DIMENSIONS S AND V TO BE DETERMINED AT SEATING PLANE -AC-.
- DIMENSIONS A AND B DO NOT INCLUDE MOLD PROTRUSION. ALLOWABLE PROTRUSION IS 0.250 (0.010) PER SIDE. DIMENSIONS A AND B DO INCLUDE MOLD MISMATCH AND ARE DETERMINED AT DATUM PLANE -AB-.
- DIMENSION D DOES NOT INCLUDE DAMBAR PROTRUSION. DAMBAR PROTRUSION SHALL NOT CAUSE THE D DIMENSION TO EXCEED 0.520 (0.020).
- MINIMUM SOLDER PLATE THICKNESS SHALL BE 0.0076 (0.0003).
- EXACT SHAPE OF EACH CORNER MAY VARY FROM DEPICTION.

| DIM | MILLIMETERS | | INCHES | |
|-----|-------------|-------|--------|-------|
| | MIN | MAX | MIN | MAX |
| A | 7.000 | BSC | 0.276 | BSC |
| A1 | 3.500 | BSC | 0.138 | BSC |
| B | 7.000 | BSC | 0.276 | BSC |
| B1 | 3.500 | BSC | 0.138 | BSC |
| C | 1.400 | 1.600 | 0.055 | 0.063 |
| D | 0.300 | 0.450 | 0.012 | 0.018 |
| E | 1.350 | 1.450 | 0.053 | 0.057 |
| F | 0.300 | 0.400 | 0.012 | 0.016 |
| G | 0.800 | BSC | 0.031 | BSC |
| H | 0.050 | 0.150 | 0.002 | 0.006 |
| J | 0.090 | 0.200 | 0.004 | 0.008 |
| K | 0.450 | 0.750 | 0.018 | 0.030 |
| M | 12° | REF | 12° | REF |
| N | 0.090 | 0.160 | 0.004 | 0.006 |
| P | 0.400 | BSC | 0.016 | BSC |
| Q | 1° | 5° | 1° | 5° |
| R | 0.150 | 0.250 | 0.006 | 0.010 |
| S | 9.000 | BSC | 0.354 | BSC |
| S1 | 4.500 | BSC | 0.177 | BSC |
| V | 9.000 | BSC | 0.354 | BSC |
| V1 | 4.500 | BSC | 0.177 | BSC |
| W | 0.200 | REF | 0.008 | REF |
| X | 1.000 | REF | 0.039 | REF |

MC10EP195, MC100EP195

PACKAGE DIMENSIONS

QFN32 5*5*1 0.5 P
CASE 488AM-01
ISSUE 0

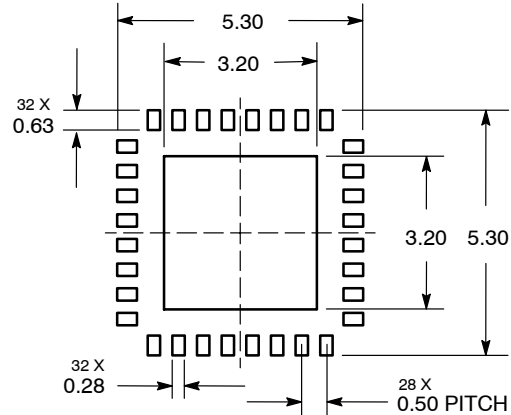


NOTES:

1. DIMENSIONS AND TOLERANCING PER ASME Y14.5M, 1994.
2. CONTROLLING DIMENSION: MILLIMETERS.
3. DIMENSION b APPLIES TO PLATED TERMINAL AND IS MEASURED BETWEEN 0.25 AND 0.30 MM TERMINAL.
4. COPLANARITY APPLIES TO THE EXPOSED PAD AS WELL AS THE TERMINALS.

| MILLIMETERS | | | |
|-------------|-----------|-------|-------|
| DIM | MIN | NOM | MAX |
| A | 0.800 | 0.900 | 1.000 |
| A1 | 0.000 | 0.025 | 0.050 |
| A3 | 0.200 REF | | |
| b | 0.180 | 0.250 | 0.300 |
| D | 5.00 BSC | | |
| D2 | 2.950 | 3.100 | 3.250 |
| E | 5.00 BSC | | |
| E2 | 2.950 | 3.100 | 3.250 |
| e | 0.500 BSC | | |
| K | 0.200 | --- | --- |
| L | 0.300 | 0.400 | 0.500 |

SOLDERING FOOTPRINT*



DIMENSIONS: MILLIMETERS

*For additional information on our Pb-Free strategy and soldering details, please download the ON Semiconductor Soldering and Mounting Techniques Reference Manual, SOLDERRM/D.

ECLinPS is a trademark of Semiconductor Components Industries, LLC.

ON Semiconductor and are registered trademarks of Semiconductor Components Industries, LLC (SCILLC). SCILLC reserves the right to make changes without further notice to any products herein. SCILLC makes no warranty, representation or guarantee regarding the suitability of its products for any particular purpose, nor does SCILLC assume any liability arising out of the application or use of any product or circuit, and specifically disclaims any and all liability, including without limitation special, consequential or incidental damages. "Typical" parameters which may be provided in SCILLC data sheets and/or specifications can and do vary in different applications and actual performance may vary over time. All operating parameters, including "Typicals" must be validated for each customer application by customer's technical experts. SCILLC does not convey any license under its patent rights nor the rights of others. SCILLC products are not designed, intended, or authorized for use as components in systems intended for surgical implant into the body, or other applications intended to support or sustain life, or for any other application in which the failure of the SCILLC product could create a situation where personal injury or death may occur. Should Buyer purchase or use SCILLC products for any such unintended or unauthorized application, Buyer shall indemnify and hold SCILLC and its officers, employees, subsidiaries, affiliates, and distributors harmless against all claims, costs, damages, and expenses, and reasonable attorney fees arising out of, directly or indirectly, any claim of personal injury or death associated with such unintended or unauthorized use, even if such claim alleges that SCILLC was negligent regarding the design or manufacture of the part. SCILLC is an Equal Opportunity/Affirmative Action Employer. This literature is subject to all applicable copyright laws and is not for resale in any manner.

PUBLICATION ORDERING INFORMATION

LITERATURE FULFILLMENT:
Literature Distribution Center for ON Semiconductor
P.O. Box 5163, Denver, Colorado 80217 USA
Phone: 303-675-2175 or 800-344-3860 Toll Free USA/Canada
Fax: 303-675-2176 or 800-344-3867 Toll Free USA/Canada
Email: orderlit@onsemi.com

N. American Technical Support: 800-282-9855 Toll Free
USA/Canada
Europe, Middle East and Africa Technical Support:
Phone: 421 33 790 2910
Japan Customer Focus Center
Phone: 81-3-5773-3850

ON Semiconductor Website: www.onsemi.com
Order Literature: <http://www.onsemi.com/orderlit>
For additional information, please contact your local Sales Representative

MC10EP195/D

Данный компонент на территории Российской Федерации

Вы можете приобрести в компании MosChip.

Для оперативного оформления запроса Вам необходимо перейти по данной ссылке:

<http://moschip.ru/get-element>

Вы можете разместить у нас заказ для любого Вашего проекта, будь то серийное производство или разработка единичного прибора.

В нашем ассортименте представлены ведущие мировые производители активных и пассивных электронных компонентов.

Нашей специализацией является поставка электронной компонентной базы двойного назначения, продукции таких производителей как XILINX, Intel (ex.ALTERA), Vicor, Microchip, Texas Instruments, Analog Devices, Mini-Circuits, Amphenol, Glenair.

Сотрудничество с глобальными дистрибьюторами электронных компонентов, предоставляет возможность заказывать и получать с международных складов практически любой перечень компонентов в оптимальные для Вас сроки.

На всех этапах разработки и производства наши партнеры могут получить квалифицированную поддержку опытных инженеров.

Система менеджмента качества компании отвечает требованиям в соответствии с ГОСТ Р ИСО 9001, ГОСТ РВ 0015-002 и ЭС РД 009

Офис по работе с юридическими лицами:

105318, г.Москва, ул.Щербаковская д.3, офис 1107, 1118, ДЦ «Щербаковский»

Телефон: +7 495 668-12-70 (многоканальный)

Факс: +7 495 668-12-70 (доб.304)

E-mail: info@moschip.ru

Skype отдела продаж:

moschip.ru

moschip.ru_4

moschip.ru_6

moschip.ru_9