

Distributed I/O device - FLS DN M12 DIO 8/8 M12 - 2736398

Please be informed that the data shown in this PDF Document is generated from our Online Catalog. Please find the complete data in the user's documentation. Our General Terms of Use for Downloads are valid (<http://phoenixcontact.com/download>)



The stand-alone device for DeviceNet™ has 8 digital inputs and 8 digital outputs each with a load capacity of 500 mA. The M12 connection is established using fast connection technology. The 24 V DC supply is protected against short circuit and overload.

Product Features

- Flexible power supply concept
- Short-circuit and overload protection
- Diagnostic and status indicators
- SPEEDCON fast locking system
- Directly accessible address encoding switch
- Consistent connection via M12 connectors



DeviceNet

Key commercial data

Packing unit	1 pc
Weight per Piece (excluding packing)	382.6 GRM
Custom tariff number	85176200
Country of origin	Germany

Technical data

Note

Utilization restriction	EMC: class A product, see manufacturer's declaration in the download area
-------------------------	---

Dimensions

Width	60 mm
Height	178 mm
Depth	49.3 mm
Drill hole spacing	168 mm

Ambient conditions

Distributed I/O device - FLS DN M12 DIO 8/8 M12 - 2736398

Technical data

Ambient conditions

Ambient temperature (operation)	-25 °C ... 60 °C
Ambient temperature (storage/transport)	-25 °C ... 85 °C
Permissible humidity (storage/transport)	95 %
Air pressure (operation)	80 kPa ... 106 kPa (up to 2000 m above sea level)
Air pressure (storage/transport)	70 kPa ... 106 kPa (up to 3000 m above sea level)
Degree of protection	IP65/IP67

General

Weight	340 g
Mounting type	Wall mounting
Protection class	III, IEC 61140, EN 61140, VDE 0140-1
Test section	To I/O 500 V AC 50 Hz 1 min
Mechanical tests	Shock in acc. with EN 60068-2-27/IEC 60068-2-27 Load 30g, half sine wave, positive and negative per direction
	Vibration resistance in acc. with EN 60068-2-6/IEC 60068-2-6 5g in each space direction

Interfaces

Fieldbus system	DeviceNet™
Designation	DeviceNet™
Connection method	2 M12 connectors, A-coded
Transmission speed	125 kBit/s, 250 kBit/s, 500 kBit/s (Automatic baud rate detection)
Transmission physics	Copper cable in acc. with DeviceNet™ specification
Address area assignment	0 ... 63, can be set
Number of positions	5

Power supply for module electronics

Connection method	M12 connector, (A-coded)
Designation	U _L
Supply voltage	24 V DC
Supply voltage range	12 V DC ... 30 V DC (including ripple)

Fieldline potentials

Voltage supply U _L	24 V DC
Power supply at U _L	max. 4 A
Current consumption from U _L	typ. 60 mA
	max. 100 mA
Voltage supply U _S	24 V DC
Power supply at U _S	max. 4 A
Current consumption from U _S	typ. 10 mA (plus sensor current)

Distributed I/O device - FLS DN M12 DIO 8/8 M12 - 2736398

Technical data

Fieldline potentials

	max. 500 mA
Voltage supply U_{A11}	24 V DC
Power supply at U_{A11}	max. 4 A
Current consumption at U_{A11}	typ. 6 mA (plus actuator current)
	max. 4 A
Voltage supply U_{A12}	24 V DC
Power supply at U_{A12}	max. 4 A
Current consumption at U_{A12}	typ. 6 mA (plus actuator current)
	max. 4 A

Digital inputs

Input name	Digital inputs
Connection method	M12 connector, double occupancy
	2, 3, 4-wire
Number of inputs	8
Protective circuit	Protection against polarity reversal
Filter time	3 ms
Input characteristic curve	IEC 61131-2 type 1
Input voltage	24 V DC
Input voltage range "0" signal	-30 V DC ... 5 V DC
Input voltage range "1" signal	13 V DC ... 30 V DC

Digital outputs

Output name	Digital outputs
Connection method	M12 connector, double occupancy
	2, 3-wire
Number of outputs	8
Protective circuit	Short-circuit protection
Output voltage	24 V DC
Maximum output current per channel	500 mA

Classifications

eCl@ss

eCl@ss 4.0	27250302
eCl@ss 4.1	27250302
eCl@ss 5.0	27250302
eCl@ss 5.1	27242604

Distributed I/O device - FLS DN M12 DIO 8/8 M12 - 2736398

Classifications

eCl@ss

eCl@ss 6.0	27242604
eCl@ss 7.0	27242604
eCl@ss 8.0	27242604

ETIM

ETIM 2.0	EC001430
ETIM 3.0	EC001599
ETIM 4.0	EC001599
ETIM 5.0	EC001599

UNSPSC

UNSPSC 6.01	43172015
UNSPSC 7.0901	43201404
UNSPSC 11	43172015
UNSPSC 12.01	43201404
UNSPSC 13.2	43201404

Approvals

Approvals

Approvals

UL Recognized / cUL Recognized / DeviceNet™ / null / DeviceNet™ / null / null / null / null / null / null / null / null / null / DeviceNet™ / null / null / null / null / null / null / null / null / null / null / DeviceNet™ / null / null / null / null / null / cULus Recognized

Ex Approvals

UL Recognized / cUL Recognized / cULus Recognized

Approvals submitted

Approval details

UL Recognized

Distributed I/O device - FLS DN M12 DIO 8/8 M12 - 2736398

Approvals

cUL Recognized 
--

DeviceNet™

--

DeviceNet™

--

--

--

--

--

--

--

--

--

DeviceNet™

--

--

--

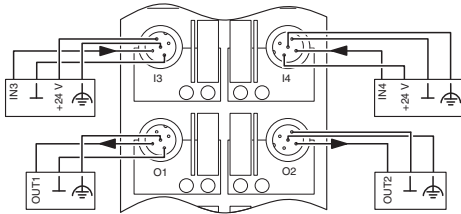
Distributed I/O device - FLS DN M12 DIO 8/8 M12 - 2736398

Approvals

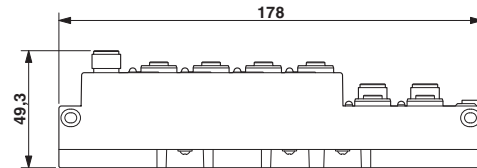
Drawings

Distributed I/O device - FLS DN M12 DIO 8/8 M12 - 2736398

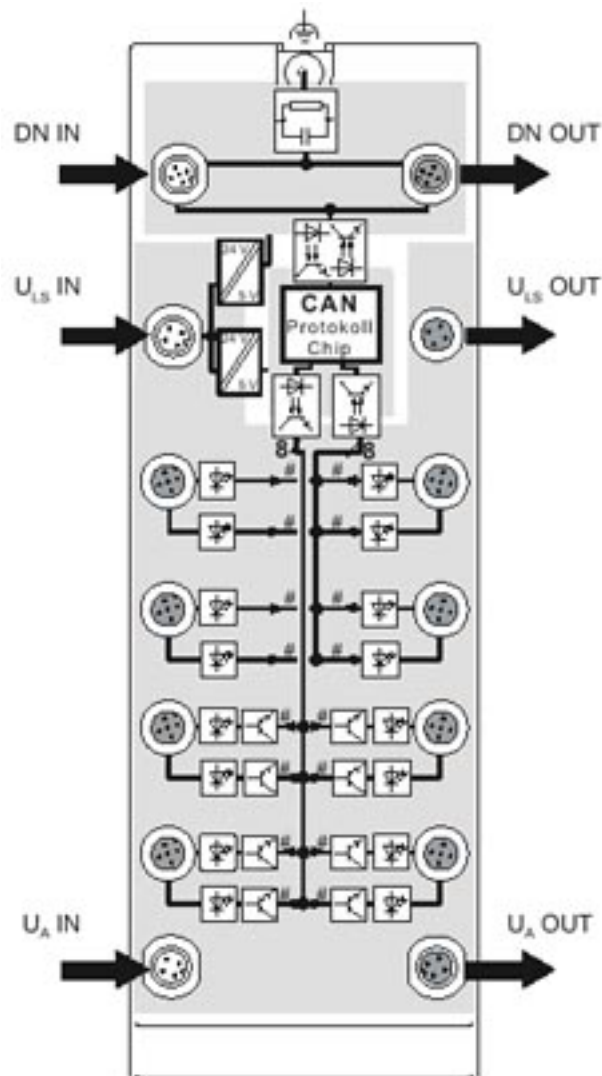
Connection diagram



Dimensioned drawing



Block diagram



Данный компонент на территории Российской Федерации

Вы можете приобрести в компании MosChip.

Для оперативного оформления запроса Вам необходимо перейти по данной ссылке:

<http://moschip.ru/get-element>

Вы можете разместить у нас заказ для любого Вашего проекта, будь то серийное производство или разработка единичного прибора.

В нашем ассортименте представлены ведущие мировые производители активных и пассивных электронных компонентов.

Нашей специализацией является поставка электронной компонентной базы двойного назначения, продукции таких производителей как XILINX, Intel (ex.ALTERA), Vicor, Microchip, Texas Instruments, Analog Devices, Mini-Circuits, Amphenol, Glenair.

Сотрудничество с глобальными дистрибьюторами электронных компонентов, предоставляет возможность заказывать и получать с международных складов практически любой перечень компонентов в оптимальные для Вас сроки.

На всех этапах разработки и производства наши партнеры могут получить квалифицированную поддержку опытных инженеров.

Система менеджмента качества компании отвечает требованиям в соответствии с ГОСТ Р ИСО 9001, ГОСТ РВ 0015-002 и ЭС РД 009

Офис по работе с юридическими лицами:

105318, г.Москва, ул.Щербаковская д.3, офис 1107, 1118, ДЦ «Щербаковский»

Телефон: +7 495 668-12-70 (многоканальный)

Факс: +7 495 668-12-70 (доб.304)

E-mail: info@moschip.ru

Skype отдела продаж:

moschip.ru

moschip.ru_4

moschip.ru_6

moschip.ru_9