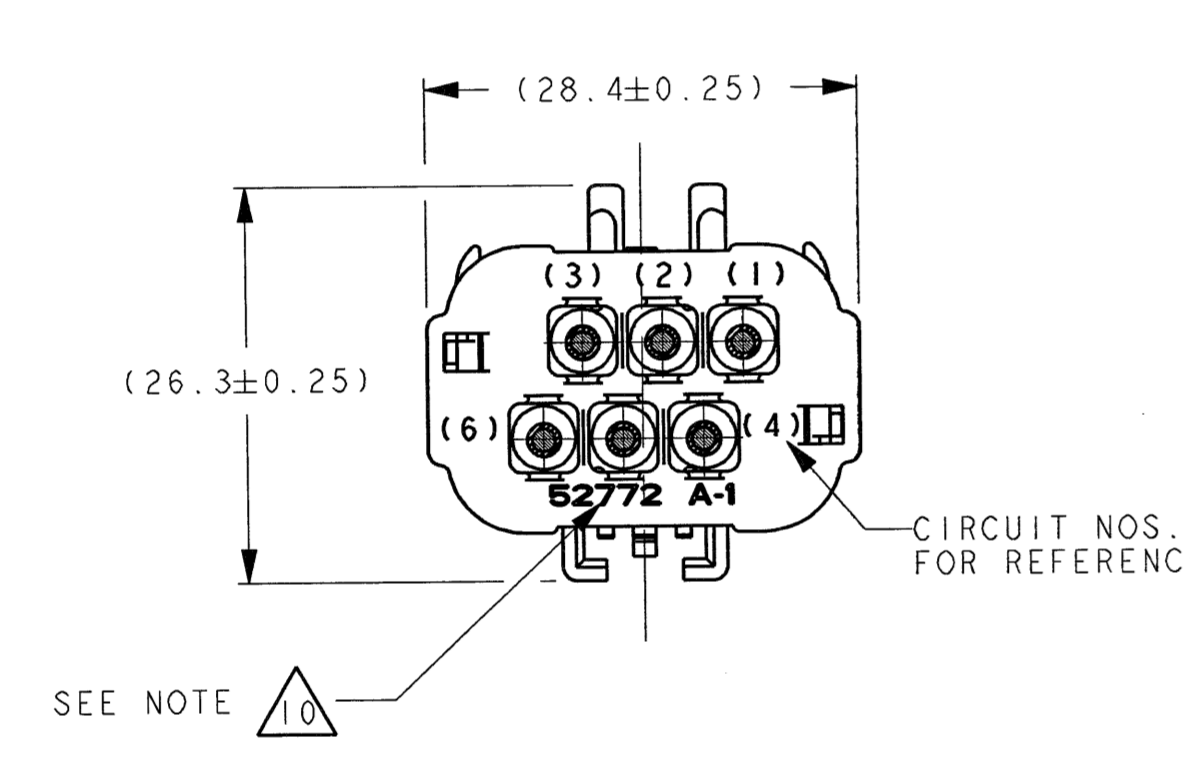
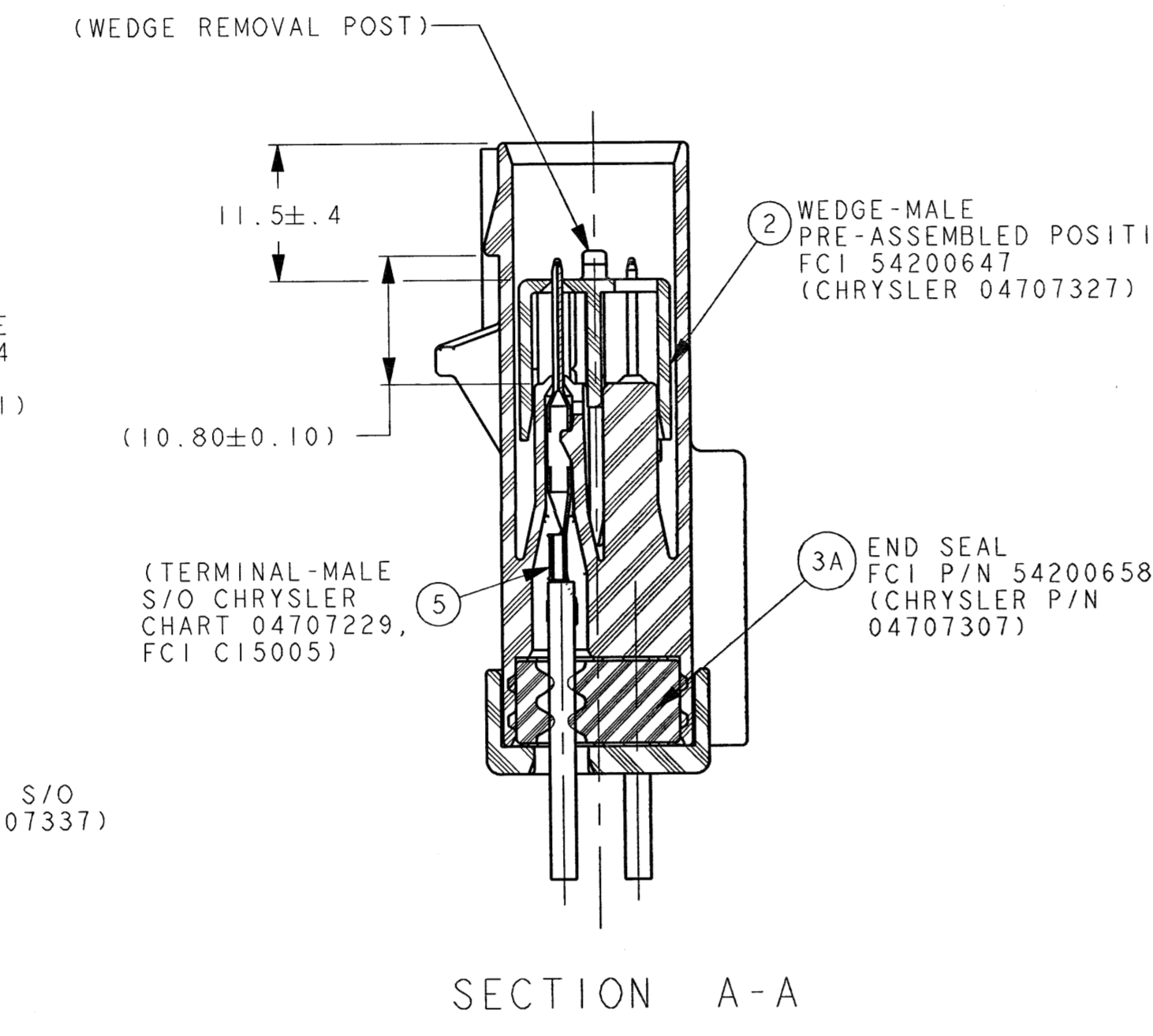
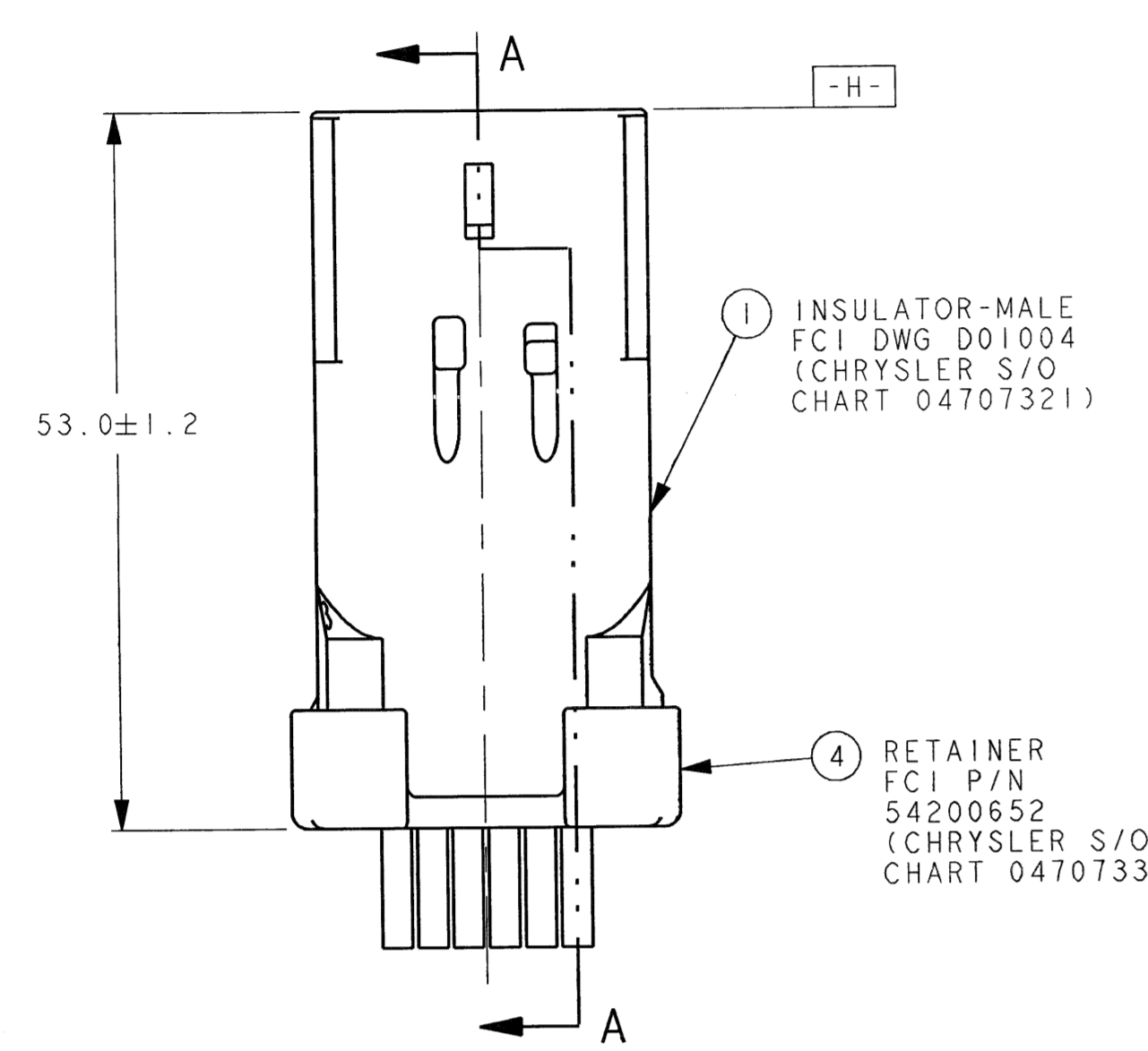
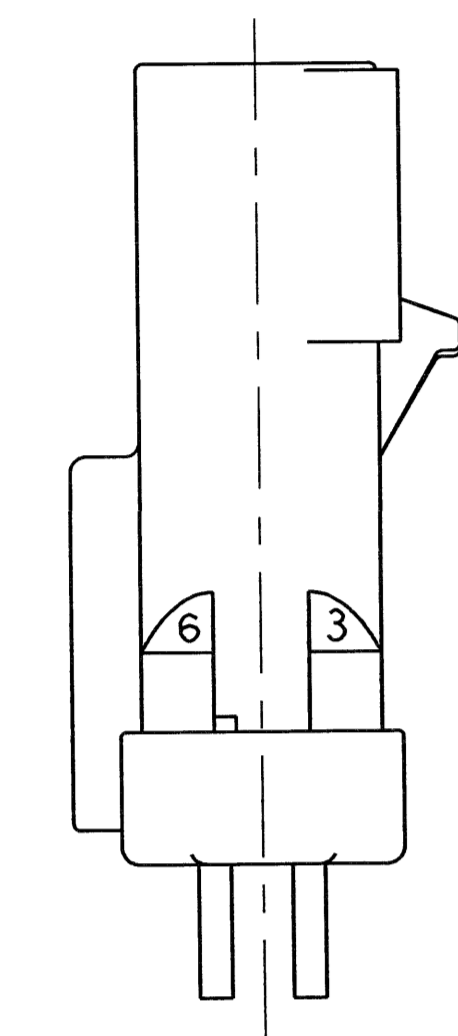
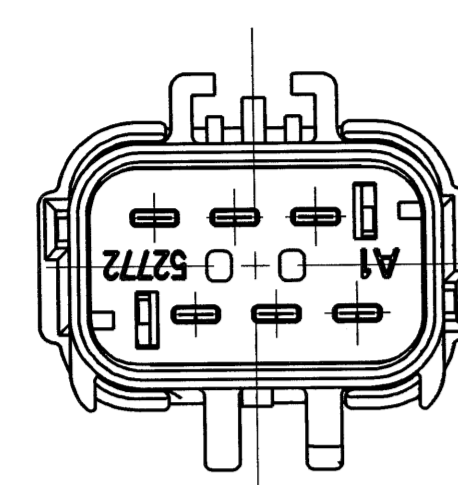
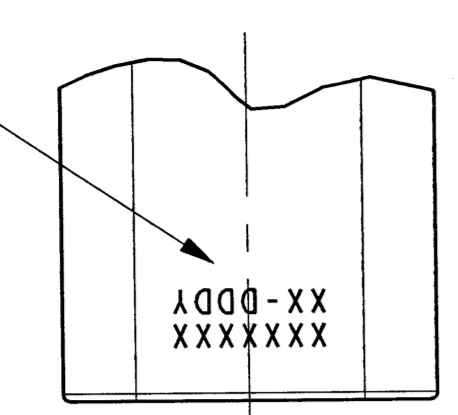
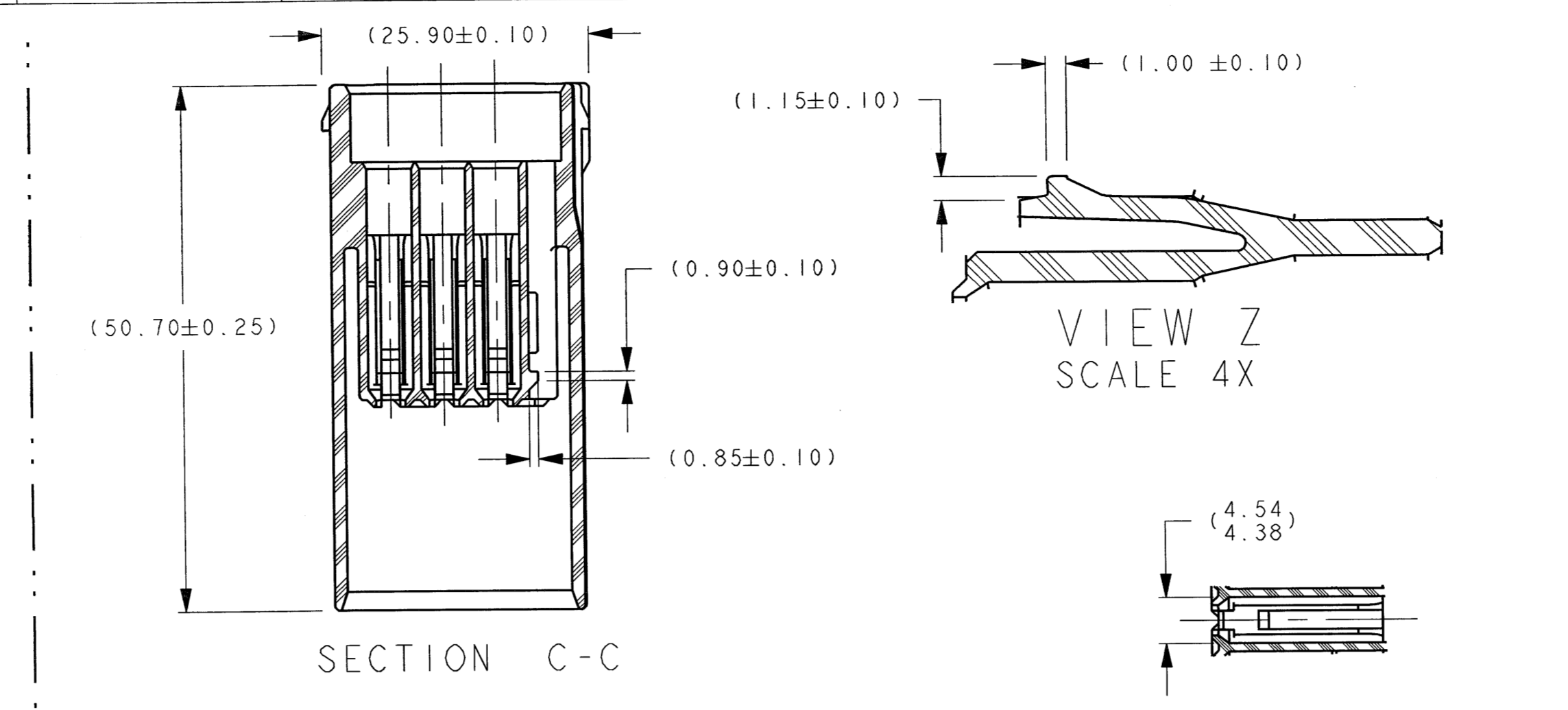


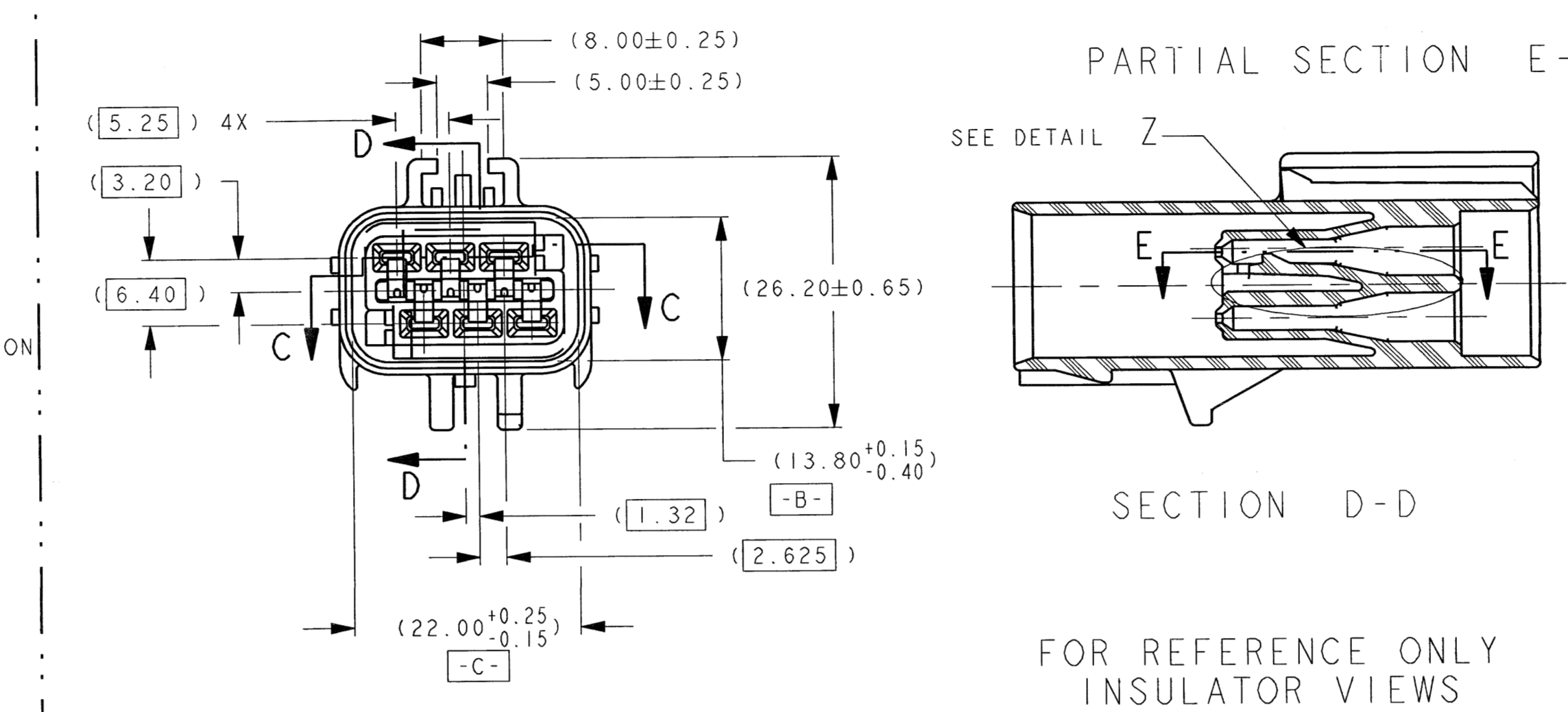
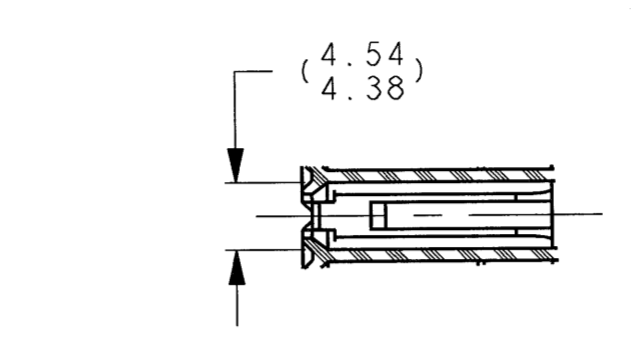
LAST 5 DIGITS OF 8 DIGIT P/N & PART CHANGE LEVEL (PCL) OR  
 LAST 6 DIGITS OF 10 DIGIT P/N & PART CHANGE LEVEL (PCL)  
 MFG. DAILY DATE CODE & ASSY MACHINE NO. LETTERING MUST BE LEGIBLE  
 OPTIONAL



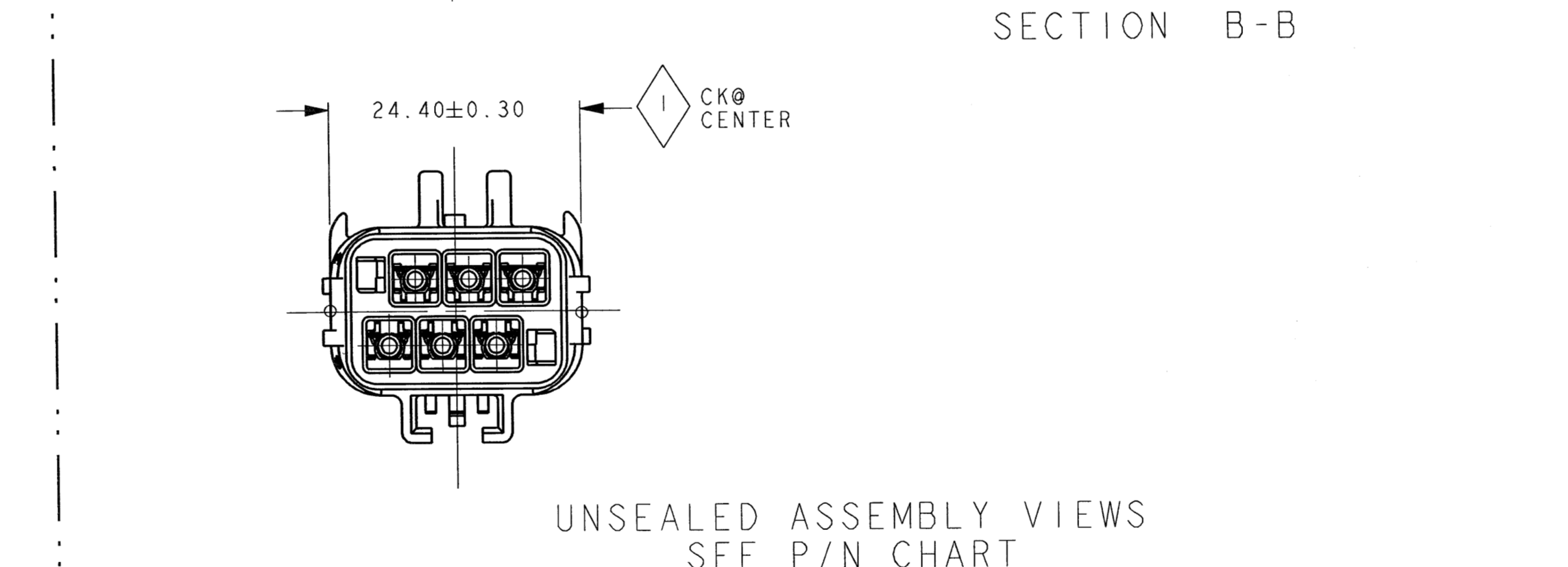
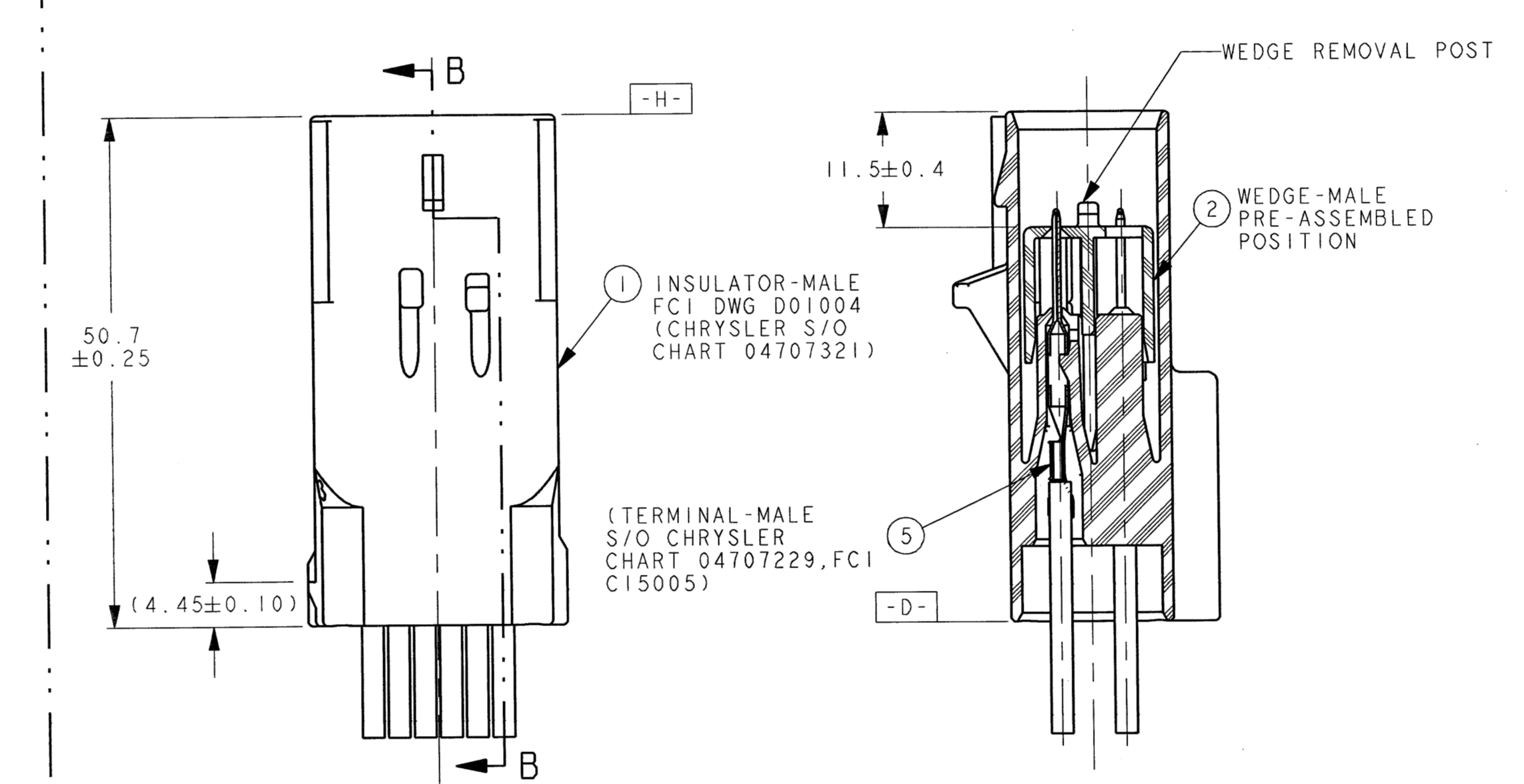
SEE NOTE 10  
 SEALED ASSEMBLY VIEWS  
 SEE CHART



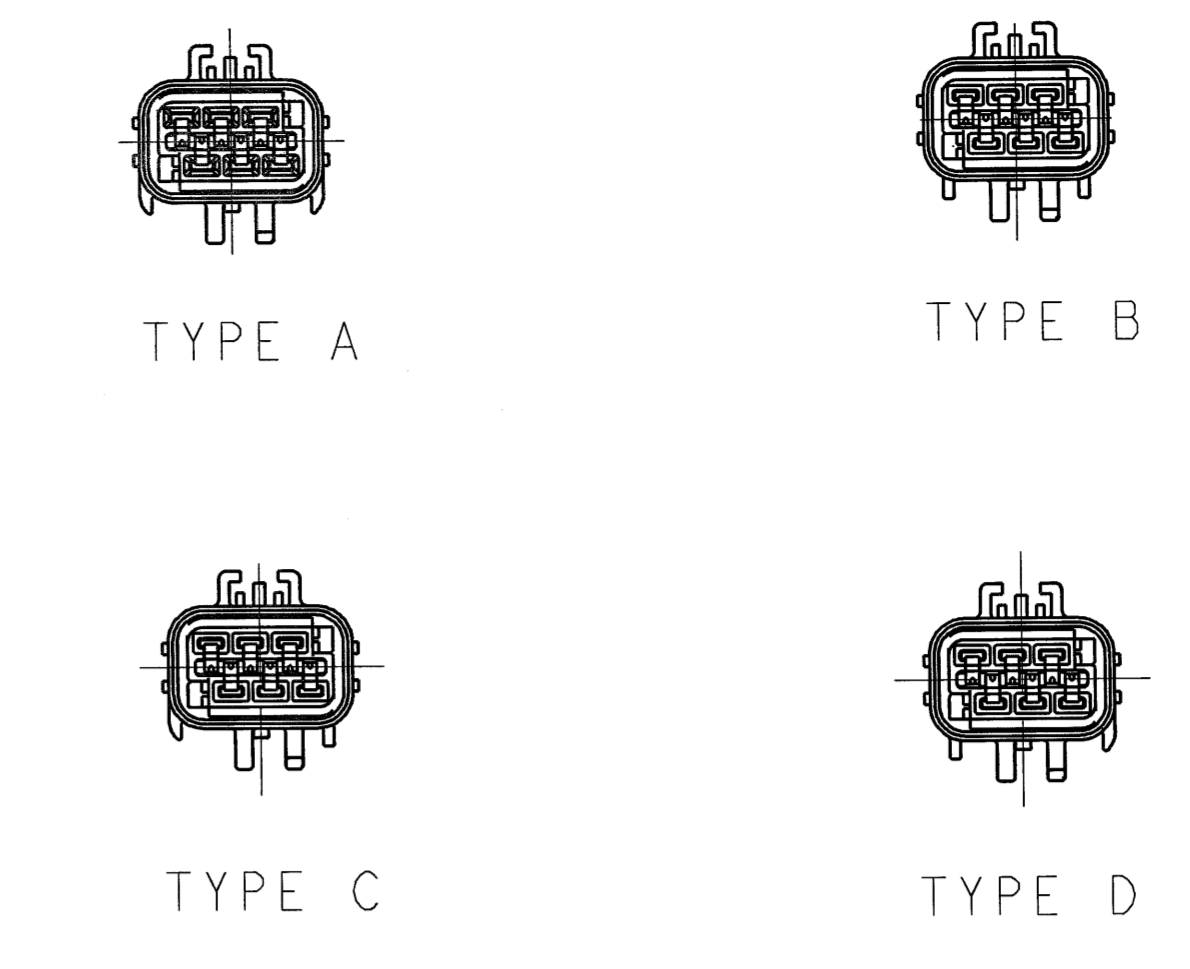
VIEW Z  
 SCALE 4X



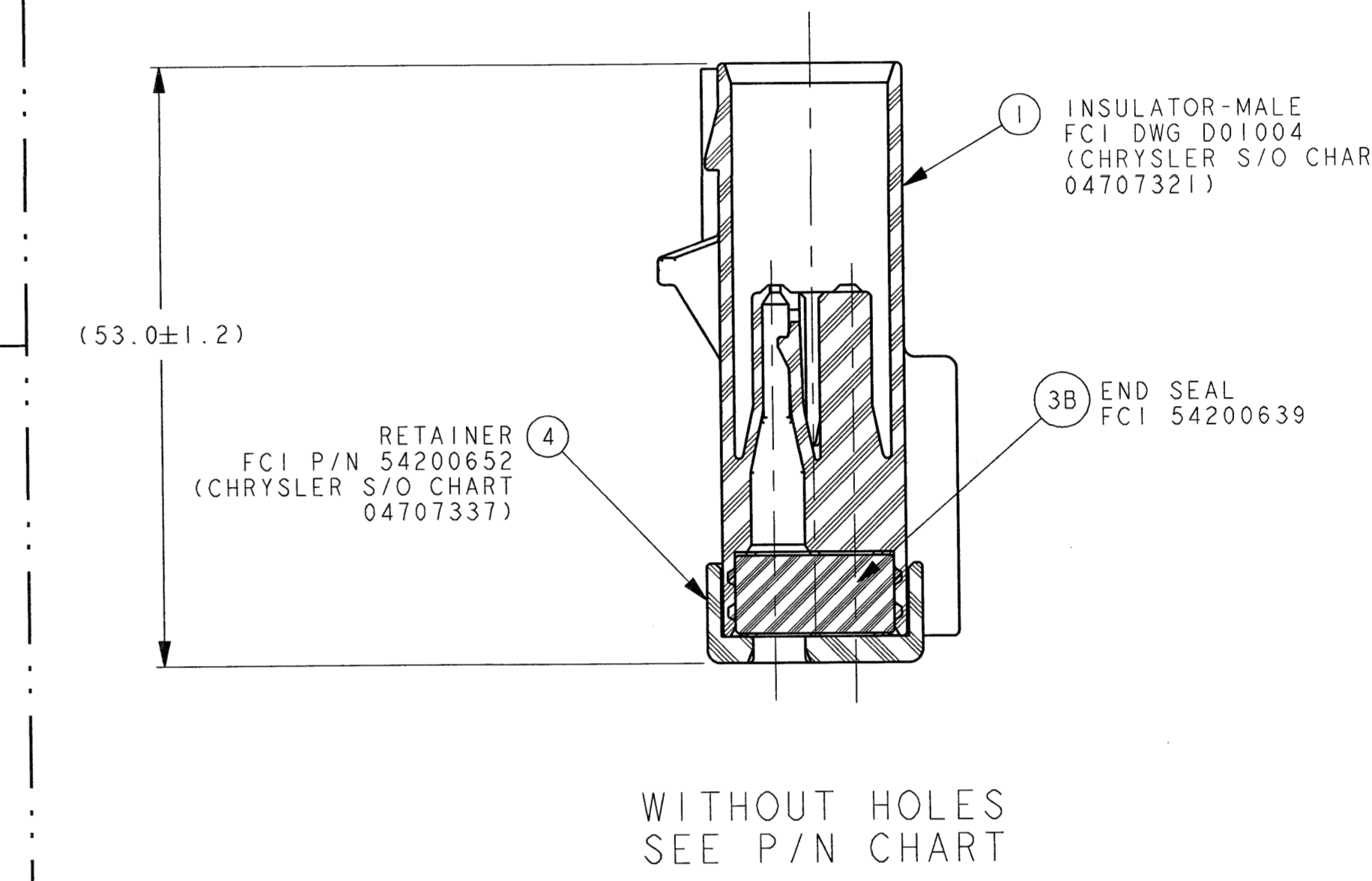
FOR REFERENCE ONLY  
 INSULATOR VIEWS



UNSEALED ASSEMBLY VIEWS  
 SEE P/N CHART



POLARIZATION OPTIONS  
 FULL SIZE



WITHOUT HOLES  
 SEE P/N CHART

- NOTES:
- 1 QUALITY ASSURANCE REQUIREMENTS PER CHRYSLER PS-7300: 1 DIMENSIONAL OR PROCESS PARAMETERS PERMISSIBLE
  - 2 ENGINEERING APPROVAL OF SUPPLIER SAMPLES IS REQUIRED PRIOR TO AUTHORIZATION OF PART PRODUCTION
  - 3 CHANGES IN DESIGN COMPOSITION OR PROCESSING FROM THE PART PREVIOUSLY APPROVED FOR PART PRODUCTION REQUIRES PRIOR ENGINEERING APPROVAL
  - 4 WIRING FABRICATORS MUST PURCHASE FROM SOURCES SHOWN
  - 5 ALL THE SEALED CONNECTOR APPLICATIONS MUST BE USED WITH CHRYSLER WIRE SPEC MS-8288 OR MS-9502 THIN WALL X-LINK 20, 18, 16, 14 & 12 GAGE WIRES ONLY UNLESS OTHERWISE SPECIFIED. SEE CHART (WIRE INSULATIONS Ø1.70 MIN TO Ø3.35 MAX)
  - 6 ALL NON-SEALED APPLICATIONS MAY BE USED WITH ANY WIRE INSULATION 22 GAGE THRU 10 GAGE (EXCEPT AS NOTED). PROVIDING THAT A TERMINAL GRIP FOR THAT CORE/INSULATION COMBINATION IS SHOWN ON THE MALE TERMINAL DRAWING
  - NOTE: MAX. INSULATION CRIMP WIDTH = 4.50  
 MAX. INSULATION CRIMP HEIGHT = 4.50  
 MAX. INSULATION CRIMP DIA. = 4.09 (10 GA THIN WALL)
  - 7 USE WITH CAVITY PLUG FCI P/N 54200005 (CHRYSLER P/N 56038308), WHEN REQ'D  
 USE WITH DOUBLE X-MAS TREE CLIP CHRYSLER P/N 04707091 WHEN REQUIRED  
 USE WITH 2.80MM APEX MALE TERM PER C15005-CUST SYM ABOUT CENTERLINE FOR 180° ORIENTATION
  - 8 DIRECT CONNECT FCI DRAWING NO. G36006 (CHRYSLER 04707300)
  - 9 TEST METHOD PER PERFORMANCE SPEC SAE/USCAR-2 REV.3, CONNECTOR ENGAGE & DISENGAGE WITH FEMALE LATCH DEPRESSED FORCE NOT TO EXCEED 90 N FOR THIS SYSTEM
  - WEDGE SEATING FORCES - 125 N. MAX  
 X-MAS TREE CLIP INSERTION FORCES - 75N. MAX
  - 10 SUPPLIER, MOLD & CAVITY I.D. SIGNIFIES TOOL OWNERSHIP, FOR REFERENCE
  - 11 ANNUAL QUALITY REQUIREMENTS:  
 IT IS PERMISSIBLE TO PERFORM CONTINUOUS CONFORMANCE PER FCI SPECIFICATION #840-001 INSTEAD OF ANNUAL LAYOUT & ANNUAL PV REQUIREMENTS OF QS-9000 SECTION 2 & SAE/USCAR-2 REV.3
  - ALL NON-REFERENCE DIMENSIONS ARE REQUIRED  
 - USE INDEX A, BLACK SEALED AND UNSEALED FOR ALL AFFECTED INSULATOR CAVITIES  
 - CURRENT PRODUCTION TOOLING  
 - POINT OF IAST RUN  
 SERVICE TOOLING GUIDE INFORMATION PER APEX TRAINING MANUAL
  - 12 MUST CONFORM TO THE FOLLOWING CHRYSLER/YNA STANDARDS:  
 SAE/USCAR-2 REV. 3  
 PS-7300 QUALITY ASSURANCE (CHRYSLER)  
 MS-9502 SEAL APPL. 150 °C  
 MS-8288 SEAL APPL. 125 °C  
 PS-9227 DATA EXCHANGE (CHRYSLER), (G009-7 YNA)  
 PS-10052 INFORMATION SECURITY (CHRYSLER)
  - 13 THIS DRAWING (H59014) REPLACES CHRYSLER DRAWING NUMBER 04707322 LEVEL "F" DATED 5-22-01  
 CHRYSLER DRAWING IS FOR REFERENCE ONLY FOR PREVIOUS CHANGES
  - 14 P/N 56042638AA IS SAME AS 04608908AA AND THEREFORE REPLACED BY IT (04608908AA)

D	NATURAL	UNSEALED	54200607	04707335	54200603N	N/A
		UNSEALED	54200607	04707335	54200603	04707316
		SEALED	54200615	04707331	54200611N	N/A
		SEALED	54200615	04707331	54200611	04707312
C	DK GREY	UNSEALED	54200606	04707334	54200602N	N/A
		UNSEALED	54200606	04707334	54200602	04707315
		SEALED	54200614	04707330	54200610N	N/A
		SEALED	54200614	04707330	54200610	04707311
B	LT GREY	UNSEALED	54200605	04707333	54200601N	N/A
		UNSEALED	54200605	04707333	54200604	04794232AA
		SEALED	54200613	04707329	54200609N	N/A
		SEALED	54200613	04707329	54200609	04707310
A	BLACK	UNSEALED	54200604	04707332	54200600N	N/A
		UNSEALED	54200604	04707332	54200600	04707313
		SEALED	54200612	04707328	54200626N	N/A
		SEALED	54200612	04707328	54200626	56042583AA
		SEALED	54200612	04707328	54200608N	N/A
		SEALED	54200612	04707328	54200608	04707309
		SEALED	54200663	04608908AA	54200608	04707309
		SEALED	54200661	04759912AA	54200600N	N/A
		SEALED	54200661	04759912AA	54200660	04759914AA
INDEX TYPE	COLOR	SEALED/UNSEALED	FCI (CHRYSLER)	FCI (CHRYSLER)	FCI (CHRYSLER)	MATING ASSEMBLY PART NUMBER FOR REFERENCE ONLY

FCI P/N'S	CHRYSLER P/N'S	UNSEALED	SEALED
54200604	04707332		
54200605	04707333		
54200606	04707334		
54200607	04707335		
54200663	04608908AA		
54200612	04707328		
54200613	04707329		
54200614	04707330		
54200615	04707331		
54200661	04759912AA		

REQUIRED	REQUIRED	ITEM	FCI P/N	CHRYSLER P/N	PART NAME / COLOR - MATERIAL				
1	1	1	54200634	04707323	INSULATOR-MALE INDEX A / BLK-NYLON 66				
	1	1	54200635	04707324	INSULATOR-MALE INDEX B / LT GRAY - NYLON 66				
	1	1	54200636	04707325	INSULATOR-MALE INDEX C / DK GRAY - NYLON 66				
	1	1	54200637	04707326	INSULATOR-MALE INDEX D / NAT - NYLON 66				
1	1	1	54200647	04707327	WEDGE-MALE / RED - NYLON 66				
		3A	54200656	04707307	END SEAL / DK BLUE - SILICONE				
		3A	54200658	N/A	END SEAL / LT BLUE - SILICONE				
		3B	54200639	(4001006)	END SEAL / BRT ORANGE (NO HOLES) - SILICONE				
		4	54200652	04707337	RETAINER / BLACK - NYLON 66				
3	3	3	3	3	CONNECTOR ASSEMBLY TEMPERATURE CLASS PER SAE/USCAR-2 REV.5				
A	A	A	C	F	C	B	B	D	PART CHANGE LEVEL (PCL)

WIRE GAGE	20 TO 14	**

\* VENDOR P/N  
 \*\* CIRCUIT # 2 & 5 WITH 12 GAGE ONLY & #S 1, 3, 4 & 6 WITH 20 TO 14 GAGE ONLY

FCI - FRAMATOME CONNECTORS INTERNATIONAL  
 YNA - YAZAKI NORTH AMERICA

REV	DATE	BY	CHKD	APPD	DESCRIPTION
1	03/31/08	F2	F8		USE WITH 2.80MM APEX MALE TERMINAL NOTE ADDED FOR IAST ORIENTATION
2	03/23/03	F1	ALL		PROGRAM ON FCI TITLE BLOCK
3	03/23/03	F1	ALL		REVISIONS AND ALL OTHER INFORMATION CONTAINED HEREIN IS THE PROPERTY OF FCI. THIS DRAWING MAY NOT BE REPRODUCED OR TRANSMITTED IN ANY FORM OR BY ANY MEANS WITHOUT THE WRITTEN PERMISSION OF FCI.
4	03/23/03	F1	ALL		REVISIONS AND ALL OTHER INFORMATION CONTAINED HEREIN IS THE PROPERTY OF FCI. THIS DRAWING MAY NOT BE REPRODUCED OR TRANSMITTED IN ANY FORM OR BY ANY MEANS WITHOUT THE WRITTEN PERMISSION OF FCI.

REV	DATE	BY	CHKD	APPD	DESCRIPTION
1	03/23/03	F1	ALL		PROGRAM ON FCI TITLE BLOCK
2	03/23/03	F1	ALL		REVISIONS AND ALL OTHER INFORMATION CONTAINED HEREIN IS THE PROPERTY OF FCI. THIS DRAWING MAY NOT BE REPRODUCED OR TRANSMITTED IN ANY FORM OR BY ANY MEANS WITHOUT THE WRITTEN PERMISSION OF FCI.

REV	DATE	BY	CHKD	APPD	DESCRIPTION
1	03/23/03	F1	ALL		PROGRAM ON FCI TITLE BLOCK
2	03/23/03	F1	ALL		REVISIONS AND ALL OTHER INFORMATION CONTAINED HEREIN IS THE PROPERTY OF FCI. THIS DRAWING MAY NOT BE REPRODUCED OR TRANSMITTED IN ANY FORM OR BY ANY MEANS WITHOUT THE WRITTEN PERMISSION OF FCI.

REV	DATE	BY	CHKD	APPD	DESCRIPTION
1	03/23/03	F1	ALL		PROGRAM ON FCI TITLE BLOCK
2	03/23/03	F1	ALL		REVISIONS AND ALL OTHER INFORMATION CONTAINED HEREIN IS THE PROPERTY OF FCI. THIS DRAWING MAY NOT BE REPRODUCED OR TRANSMITTED IN ANY FORM OR BY ANY MEANS WITHOUT THE WRITTEN PERMISSION OF FCI.

REV	DATE	BY	CHKD	APPD	DESCRIPTION
1	03/23/03	F1	ALL		PROGRAM ON FCI TITLE BLOCK
2	03/23/03	F1	ALL		REVISIONS AND ALL OTHER INFORMATION CONTAINED HEREIN IS THE PROPERTY OF FCI. THIS DRAWING MAY NOT BE REPRODUCED OR TRANSMITTED IN ANY FORM OR BY ANY MEANS WITHOUT THE WRITTEN PERMISSION OF FCI.

REV	DATE	BY	CHKD	APPD	DESCRIPTION
1	03/23/03	F1	ALL		PROGRAM ON FCI TITLE BLOCK
2	03/23/03	F1	ALL		REVISIONS AND ALL OTHER INFORMATION CONTAINED HEREIN IS THE PROPERTY OF FCI. THIS DRAWING MAY NOT BE REPRODUCED OR TRANSMITTED IN ANY FORM OR BY ANY MEANS WITHOUT THE WRITTEN PERMISSION OF FCI.

REV	DATE	BY	CHKD	APPD	DESCRIPTION
1	03/23/03	F1	ALL		PROGRAM ON FCI TITLE BLOCK
2	03/23/03	F1	ALL		REVISIONS AND ALL OTHER INFORMATION CONTAINED HEREIN IS THE PROPERTY OF FCI. THIS DRAWING MAY NOT BE REPRODUCED OR TRANSMITTED IN ANY FORM OR BY ANY MEANS WITHOUT THE WRITTEN PERMISSION OF FCI.

REV	DATE	BY	CHKD	APPD	DESCRIPTION
1	03/23/03	F1	ALL		PROGRAM ON FCI TITLE BLOCK
2	03/23/03	F1	ALL		REVISIONS AND ALL OTHER INFORMATION CONTAINED HEREIN IS THE PROPERTY OF FCI. THIS DRAWING MAY NOT BE REPRODUCED OR TRANSMITTED IN ANY FORM OR BY ANY MEANS WITHOUT THE WRITTEN PERMISSION OF FCI.

REV	DATE	BY	CHKD	APPD	DESCRIPTION
1	03/23/03	F1	ALL		PROGRAM ON FCI TITLE BLOCK
2	03/23/03	F1	ALL		REVISIONS AND ALL OTHER INFORMATION CONTAINED HEREIN IS THE PROPERTY OF FCI. THIS DRAWING MAY NOT BE REPRODUCED OR TRANSMITTED IN ANY FORM OR BY ANY MEANS WITHOUT THE WRITTEN PERMISSION OF FCI.

REV	DATE	BY	CHKD	APPD	DESCRIPTION
1	03/23/03	F1	ALL		PROGRAM ON FCI TITLE BLOCK
2	03/23/03	F1	ALL		REVISIONS AND ALL OTHER INFORMATION CONTAINED HEREIN IS THE PROPERTY OF FCI. THIS DRAWING MAY NOT BE REPRODUCED OR TRANSMITTED IN ANY FORM OR BY ANY MEANS WITHOUT THE WRITTEN PERMISSION OF FCI.

REV	DATE	BY	CHKD	APPD	DESCRIPTION
1	03/23/03	F1	ALL		PROGRAM ON FCI TITLE BLOCK
2	03/23/03	F1	ALL		REVISIONS AND ALL OTHER INFORMATION CONTAINED HEREIN IS THE PROPERTY OF FCI. THIS DRAWING MAY NOT BE REPRODUCED OR TRANSMITTED IN ANY FORM OR BY ANY MEANS WITHOUT THE WRITTEN PERMISSION OF FCI.

REV	DATE	BY	CHKD	APPD	DESCRIPTION
1	03/23/03	F1	ALL		PROGRAM ON FCI TITLE BLOCK
2	03/23/03	F1	ALL		REVISIONS AND ALL OTHER INFORMATION CONTAINED HEREIN IS THE PROPERTY OF FCI. THIS DRAWING MAY NOT BE REPRODUCED OR TRANSMITTED IN ANY FORM OR BY ANY MEANS WITHOUT THE WRITTEN PERMISSION OF FCI.

REV	DATE	BY	CHKD	APPD	DESCRIPTION
1	03/23/03	F1	ALL		PROGRAM ON FCI TITLE BLOCK
2	03/23/03	F1	ALL		REVISIONS AND ALL OTHER INFORMATION CONTAINED HEREIN IS THE PROPERTY OF FCI. THIS DRAWING MAY NOT BE REPRODUCED OR TRANSMITTED IN ANY FORM OR BY ANY MEANS WITHOUT THE WRITTEN PERMISSION OF FCI.

REV	DATE	BY	CHKD	APPD	DESCRIPTION
1	03/23/03	F1	ALL		PROGRAM ON FCI TITLE BLOCK
2	03/23/03	F1	ALL		REVISIONS AND ALL OTHER INFORMATION CONTAINED HEREIN IS THE PROPERTY OF FCI. THIS DRAWING MAY NOT BE REPRODUCED OR TRANSMITTED IN ANY FORM OR BY ANY MEANS WITHOUT THE WRITTEN PERMISSION OF FCI.

REV	DATE	BY	CHKD	APPD	DESCRIPTION
1	03/23/03	F1	ALL		PROGRAM ON FCI TITLE BLOCK
2	03/23/03	F1	ALL		REVISIONS AND ALL OTHER INFORMATION CONTAINED HEREIN IS THE PROPERTY OF FCI. THIS DRAWING MAY NOT BE REPRODUCED OR TRANSMITTED IN ANY FORM OR BY ANY MEANS WITHOUT THE WRITTEN PERMISSION OF FCI.

REV	DATE	BY	CHKD	APPD	DESCRIPTION
1	03/23/03	F1	ALL		PROGRAM ON FCI TITLE BLOCK
2	03/23/03	F1	ALL		REVISIONS AND ALL OTHER INFORMATION CONTAINED HEREIN IS THE PROPERTY OF FCI. THIS DRAWING MAY NOT BE REPRODUCED OR TRANSMITTED IN ANY FORM OR BY ANY MEANS WITHOUT THE WRITTEN PERMISSION OF FCI.

REV	DATE	BY	CHKD	APPD	DESCRIPTION
1	03/23/03	F1	ALL		PROGRAM ON FCI TITLE BLOCK
2	03/23/03	F1	ALL		REVISIONS AND ALL OTHER INFORMATION CONTAINED HEREIN IS THE PROPERTY OF FCI. THIS DRAWING MAY NOT BE REPRODUCED OR TRANSMITTED IN ANY FORM OR BY ANY MEANS WITHOUT THE WRITTEN PERMISSION OF FCI.

REV	DATE	BY	CHKD	APPD	DESCRIPTION
1	03/23/03	F1	ALL		PROGRAM ON FCI TITLE BLOCK
2	03/23/03	F1	ALL		REVISIONS AND ALL OTHER INFORMATION CONTAINED HEREIN IS THE PROPERTY OF FCI. THIS DRAWING MAY NOT BE REPRODUCED OR TRANSMITTED IN ANY FORM OR BY ANY MEANS WITHOUT THE WRITTEN PERMISSION OF FCI.

REV	DATE	BY	CHKD	APPD	DESCRIPTION
1	03/23/03	F1	ALL		PROGRAM ON FCI TITLE BLOCK
2	03/23/03	F1	ALL		REVISIONS AND ALL OTHER INFORMATION CONTAINED HEREIN IS THE PROPERTY OF FCI. THIS DRAWING MAY NOT BE REPRODUCED OR TRANSMITTED IN ANY FORM OR BY ANY MEANS WITHOUT THE WRITTEN PERMISSION OF FCI.

REV	DATE	BY	CHKD	APPD	DESCRIPTION
1	03/23/03	F1	ALL		PROGRAM ON FCI TITLE BLOCK
2	03/23/03	F1	ALL		REVISIONS AND ALL OTHER INFORMATION CONTAINED HEREIN IS THE PROPERTY OF FCI. THIS DRAWING MAY NOT BE REPRODUCED OR TRANSMITTED IN ANY FORM OR BY ANY MEANS WITHOUT THE WRITTEN PERMISSION OF FCI.

REV	DATE	BY	CHKD	APPD	DESCRIPTION
1	03/23/03	F1	ALL		PROGRAM ON FCI TITLE BLOCK
2	03/23/03	F1	ALL		REVISIONS AND ALL OTHER INFORMATION CONTAINED HEREIN IS THE PROPERTY OF FCI. THIS DRAWING MAY NOT BE REPRODUCED OR TRANSMITTED IN ANY FORM OR BY ANY MEANS WITHOUT THE WRITTEN PERMISSION OF FCI.

REV	DATE	BY	CHKD	APPD	DESCRIPTION
1	03/23/03	F1	ALL		PROGRAM ON FCI TITLE BLOCK
2	03/23/03	F1	ALL		REVISIONS AND ALL OTHER INFORMATION CONTAINED HEREIN IS THE PROPERTY OF FCI. THIS DRAWING MAY NOT BE REPRODUCED OR TRANSMITTED IN ANY FORM OR BY ANY MEANS WITHOUT THE WRITTEN PERMISSION OF FCI.

REV	DATE	BY	CHKD	APPD	DESCRIPTION
1	03/23/03	F1	ALL		PROGRAM ON FCI TITLE BLOCK
2	03/23/03	F1	ALL		REVISIONS AND ALL OTHER INFORMATION CONTAINED HEREIN IS THE PROPERTY OF FCI. THIS DRAWING MAY NOT BE REPRODUCED OR TRANSMITTED IN ANY FORM OR BY ANY MEANS WITHOUT THE WRITTEN PERMISSION OF FCI.

REV	DATE	BY	CHKD	APPD	DESCRIPTION
1	03/23/03	F1	ALL		PROGRAM ON FCI TITLE BLOCK
2	03/23/03	F1	ALL		REVISIONS AND ALL OTHER INFORMATION CONTAINED HEREIN IS THE PROPERTY OF FCI. THIS DRAWING MAY NOT BE REPRODUCED OR TRANSMITTED IN ANY FORM OR BY ANY MEANS WITHOUT THE WRITTEN PERMISSION OF FCI.

REV	DATE	BY	CHKD	APPD	DESCRIPTION
1	03/23/03	F1	ALL		PROGRAM ON FCI TITLE BLOCK
2	03/23/03	F1	ALL		REVISIONS AND ALL OTHER INFORMATION CONTAINED HEREIN IS THE PROPERTY OF FCI. THIS DRAWING MAY NOT BE REPRODUCED OR TRANSMITTED IN ANY FORM OR BY ANY MEANS WITHOUT THE WRITTEN PERMISSION OF FCI.

REV	DATE	BY	CHKD	APPD	DESCRIPTION
1	03/23/03	F1	ALL		PROGRAM ON FCI TITLE BLOCK
2	03/23/03	F1	ALL		REVISIONS AND ALL OTHER INFORMATION CONTAINED HEREIN IS THE PROPERTY OF FCI. THIS DRAWING MAY NOT BE REPRODUCED OR TRANSMITTED IN ANY FORM OR BY ANY MEANS WITHOUT THE WRITTEN PERMISSION OF FCI.

REV	DATE	BY	CHKD	APPD	DESCRIPTION
1	03/23/03	F1</			

## Данный компонент на территории Российской Федерации

### Вы можете приобрести в компании MosChip.

Для оперативного оформления запроса Вам необходимо перейти по данной ссылке:

<http://moschip.ru/get-element>

Вы можете разместить у нас заказ для любого Вашего проекта, будь то серийное производство или разработка единичного прибора.

В нашем ассортименте представлены ведущие мировые производители активных и пассивных электронных компонентов.

Нашей специализацией является поставка электронной компонентной базы двойного назначения, продукции таких производителей как XILINX, Intel (ex.ALTERA), Vicor, Microchip, Texas Instruments, Analog Devices, Mini-Circuits, Amphenol, Glenair.

Сотрудничество с глобальными дистрибьюторами электронных компонентов, предоставляет возможность заказывать и получать с международных складов практически любой перечень компонентов в оптимальные для Вас сроки.

На всех этапах разработки и производства наши партнеры могут получить квалифицированную поддержку опытных инженеров.

Система менеджмента качества компании отвечает требованиям в соответствии с ГОСТ Р ИСО 9001, ГОСТ РВ 0015-002 и ЭС РД 009

### Офис по работе с юридическими лицами:

105318, г.Москва, ул.Щербаковская д.3, офис 1107, 1118, ДЦ «Щербаковский»

Телефон: +7 495 668-12-70 (многоканальный)

Факс: +7 495 668-12-70 (доб.304)

E-mail: [info@moschip.ru](mailto:info@moschip.ru)

Skype отдела продаж:

moschip.ru

moschip.ru\_4

moschip.ru\_6

moschip.ru\_9