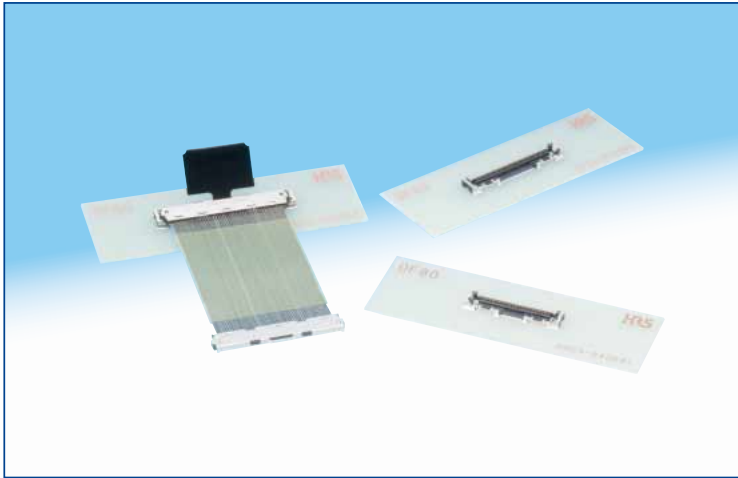


**NEW**

# 0.5mm Pitch, Vertical Connection Board-to-Micro Coaxial Cable Connectors

## DF80 Series



### Excellent mating workability

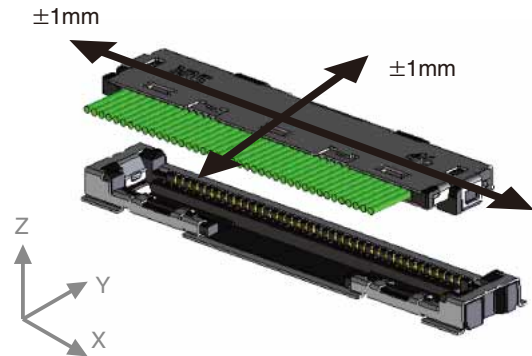


Figure 1

## ■ Features

### 1.High speed signal connector

With its excellent signal characteristics, this series conforms to ver 1.2 of eDP™ [Embedded DisplayPort™] with 2.7 Gbps and 5.4 Gbps signal transmission speed.

### 2.Space saving and low mated height

Designed to be a space saving connector, it features a 0.5mm pitch, low mated height, single row contact arrangement and vertical connection type.

### 3.Excellent mating workability

The mating position can be easily identified visually and has a long insertion guide for mating. The length of the guide is  $\pm 1\text{mm}$  (Fig. 1)

### 4.Highly reliable contact structure

The DF80 series utilizes its effective contact length of 0.5mm and its pinching type 2 point contacting structure, to ensure high contact reliability. (Fig. 2)

### 5.Effective Shielding Enhanced

Utilizing multiple contact areas between the plug shell and the receptacle shell provides stability and contact reliability. (Fig. 3)

### 6.Durable plug structure

The metal shell is comprised of two sheets to cover up the plug and form a rigid structure.

### 7.Secure lock structure with a tactile click

A tactile click ensures that the lock function has been completed and the actuator is secured. This structure also delivers excellent lock retention.

### 8.Adaptable Structure

The structure was designed to allow a pull tab to be utilized to aid in the removal of the connectors.

### 9.Halogen free and RoHS Compliant

Chlorine and Bromine are not used in amounts that exceed the standard values in these connectors.

\*Defined according to IEC 61249-2-21

Br: 900ppm or less, Cl: 900ppm or less and (Br + Cl): 1,500ppm or less

### High contact reliability

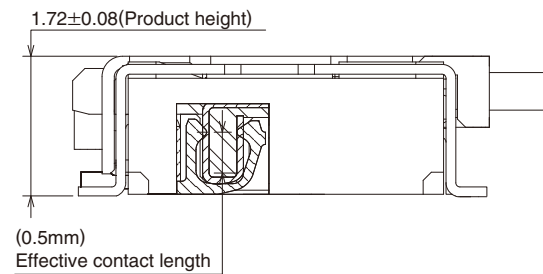
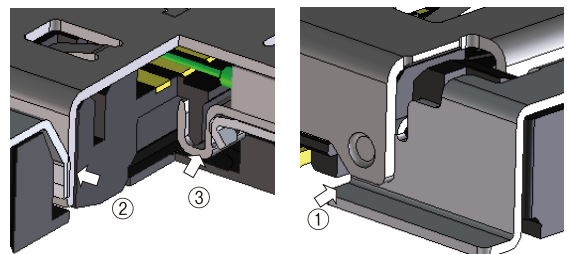
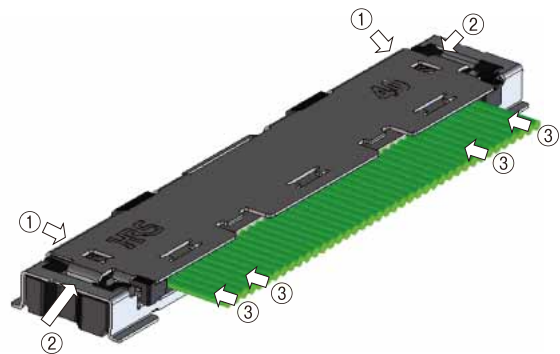


Figure 2

### Enhancement of shielding effectiveness



Many ground springs are used (8 locations)

Figure 3

## Product specification

Ratings	Current rating	[Discreet cable] AWG32 : 0.5A AWG36 : 0.35A [Micro coaxial cable] AWG40 : 0.2A AWG42 : 0.2A AWG44 : 0.15A AWG46 : 0.1A	(Note 3)	Operating temperature range Operating humidity range	-35 - 85°C (Note 1) 20 - 80%
	Voltage rating	AC/DC 50V		Storage temperature range Storage humidity range	-10 - 60°C (Note 2) 40 - 70% (Note 2)

Items	Specifications	Condition
1. Insulation resistance	50MΩ min.	Measured at DC 100V
2. Withstanding voltage	No flashover and insulation breakdown	AC 150V for one minute
3. Contact resistance	Signal: 80mΩ max. GND: 80mΩ max.	Measured at 100mA (DC or 1000Hz)
4. Vibration resistance	No electrical discontinuity of 1 μs or more	Frequency: 10 to 55Hz, single amplitude of 0.75mm, 3 directions, 10 cycles for each direction
5. Humidity resistance	Contact resistance (amount of variation from the start): 50mΩ max. Insulation resistance: 25MΩ min.	Exposed for 96 hours at the temperature of 40±2°C and the humidity of 90 to 95%
6. Temperature cycle	Contact resistance (amount of variation from the start): 50mΩ max. Insulation resistance: 25MΩ min.	(-55°C: 30 minutes → 5 to 35°C: 2 to 3 minutes → 85°C: 30 minutes → 5 to 35°C: 2 to 3 minutes) 5 cycles
7. Number of mating and un-mating cycles	Contact resistance (amount of variation from the start): 50mΩ max.	30 mating and un-mating cycles
8. Resistance to soldering heat	No melting of resin part that affects to performance	Reflow: At the recommended temperature profile Manual soldering: The temperature of the soldering iron of 350°C for 3 seconds

(Note 1) This shall include the temperature rise caused by current flow.

(Note 2) The term "storage" refers to products stored for long period of time prior to mounting on the board and use. The operating temperature and humidity range covers the non-conducting conditions of connectors after being mounted on the board and the temporary storage conditions during transportation.

(Note 3) Current rating shall be set according to the value of the temperature rise of only connector part.

(Note 4) The specification shown above represents general requirements for this series. Please refer to "Delivery Specification" for a specific official agreement.

## Material

Product	Part	Material	Finish	Specification
Receptacle	Insulator	LCP (Liquid Crystalline Polymer)	Black color	UL94V-0
	Contacts	Phosphor bronze	Gold plated	————
	Metal fitting	Phosphor bronze	Tin plated	————
Plug	Insulator	LCP	Black color	UL94V-0
	Contacts	Phosphor bronze	Gold plated	————
	Outer metal shell	Stainless steel	Tin plated	————
Shell	Outer metal shell	Stainless steel	Tin plated	————

## Ordering information

Please use the information below when identifying the specification of the product based on the numbering.

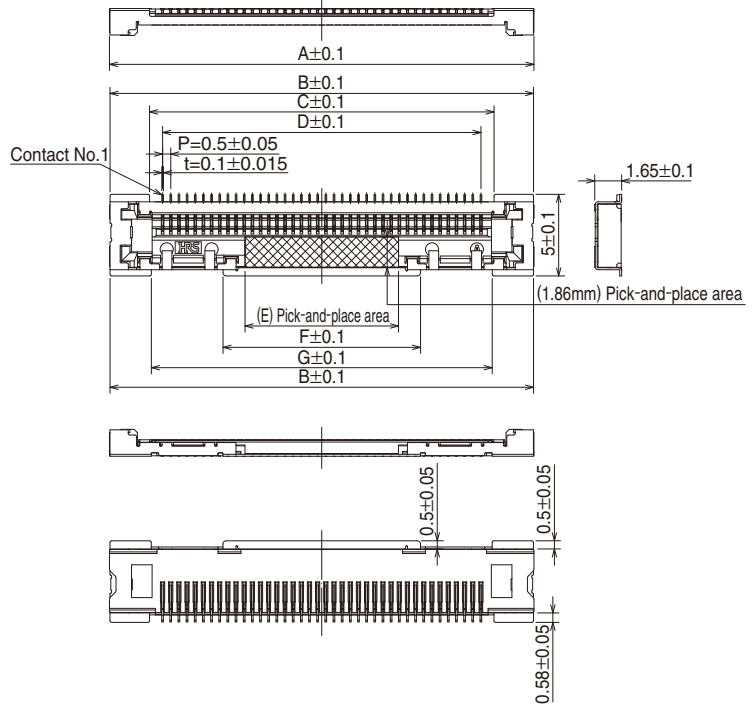
Please select a product based on the ordering information described on page 4 to 8 of this catalog when ordering.

### Connector

**DF** **80** - **\*** **S** - **0.5** **V** (**\*\***)  
 ① ② ③ ④ ⑤ ⑥ ⑦  
**DF** **80** - **\*** **P** - **SHL**  
 ① ② ③ ④ ⑧

①	Series name: DF
②	Series number: 80
③	Number of contacts: 30, 40 and 50
④	Connector type S: Receptacle P: Plug
⑤	Contact pitch: 0.5mm
⑥	Termination type V: Straight SMT SD: Micro coaxial cable plug
⑦	Packaging type (51): Embossed tape packaging product
⑧	Attached parts SHL: Outer metal shell

## ■ Receptacle (SMT)



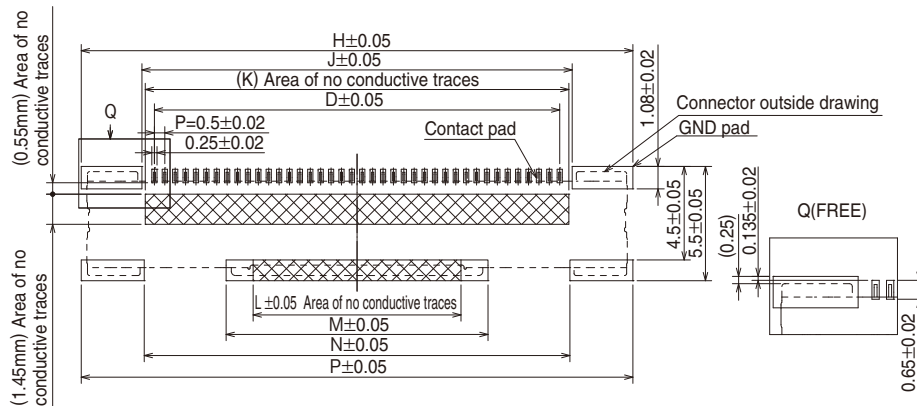
[Specification number] -\*\*, (\*\*)  
(51): Embossed tape packaging

Unit: mm

Part number	HRS No.	Number of contacts	A	B	C	D	E	F	G
DF80-30S-0.5V(**)	CL662-8004-0-**-	30	21.00	20.94	16.10	14.50	4.40	7.10	15.88
DF80-40S-0.5V(**)	CL662-8001-2-**-	40	26.00	25.94	21.10	19.50	9.40	12.10	20.88
DF80-50S-0.5V(**)	CL662-8007-9-**-	50	31.00	30.94	26.10	24.50	14.40	17.10	25.88

(Note 1) Please order by number of reels for embossed tape packaging products. (5,000 pieces per reel)

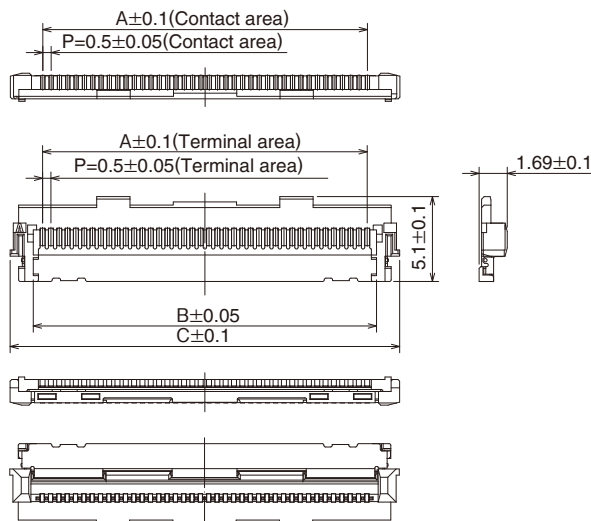
## ◆ Recommended Pattern Drawing



Unit: mm

Part number	HRS No.	Number of contacts	H	J	K	D	L	M	N	P
DF80-30S-0.5V(**)	CL662-8004-0-**-	30	21.54	15.70	15.38	14.50	5.00	7.60	15.48	21.54
DF80-40S-0.5V(**)	CL662-8001-2-**-	40	26.54	20.70	20.38	19.50	10.00	12.60	20.48	26.54
DF80-50S-0.5V(**)	CL662-8007-9-**-	50	31.54	25.70	25.38	24.50	15.00	17.60	25.48	31.54

## ■ Plug



[Specification number] -\*\*, (\*\*)  
(51): Embossed tape packaging

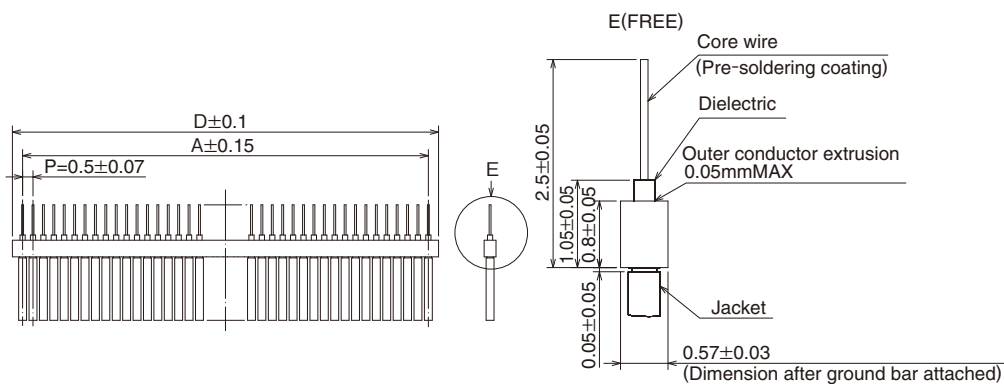
Unit: mm

Part number	HRS No.	Number of contacts	A	B	C	D
DF80-30P-0.5SD(**)	CL662-8005-3-**	30	14.50	15.62	18.40	15.48
DF80-40P-0.5SD(**)	CL662-8002-5-**	40	19.50	20.62	23.40	20.48
DF80-50P-0.5SD(**)	CL662-8008-1-**	50	24.50	25.62	28.40	25.48

(Note 1) Please order by number of reels for embossed tape packaging products. (5,000 pieces per reel)

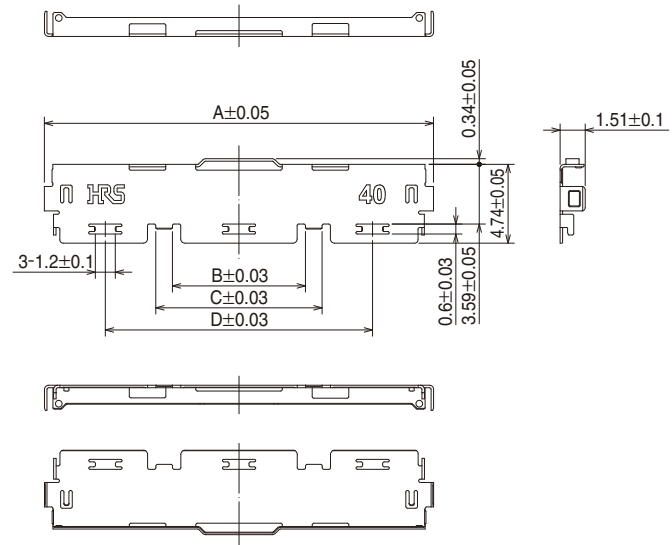
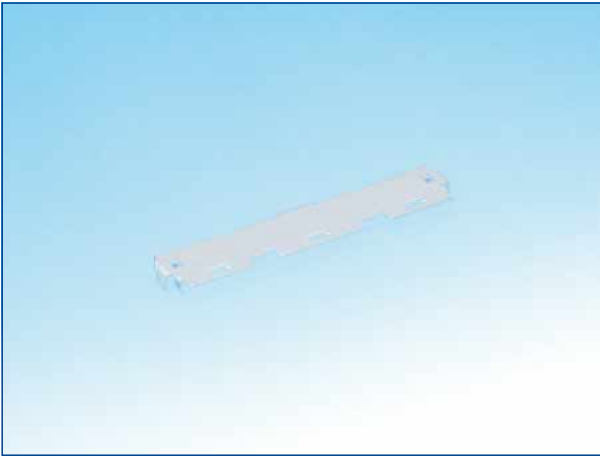
(Note 2) The outer metal shell (DF80-\*P-SHL) is required for fine coaxial cable termination.

## ◆ Recommended fine coaxial cable preparation



(Note 1) Core conductor requires pre-soldering (lead free) treatment.

## Outer metal shell



Unit: mm

Part number	HRS No.	Number of contacts	A	B	C	D
DF80-30P-SHL	CL662-8006-6	30	18.40	4.50	6.50	11.07
DF80-40P-SHL	CL662-8003-8	40	23.40	8.00	10.00	16.07
DF80-50P-SHL	CL662-8009-4	50	28.40	10.00	12.00	21.07

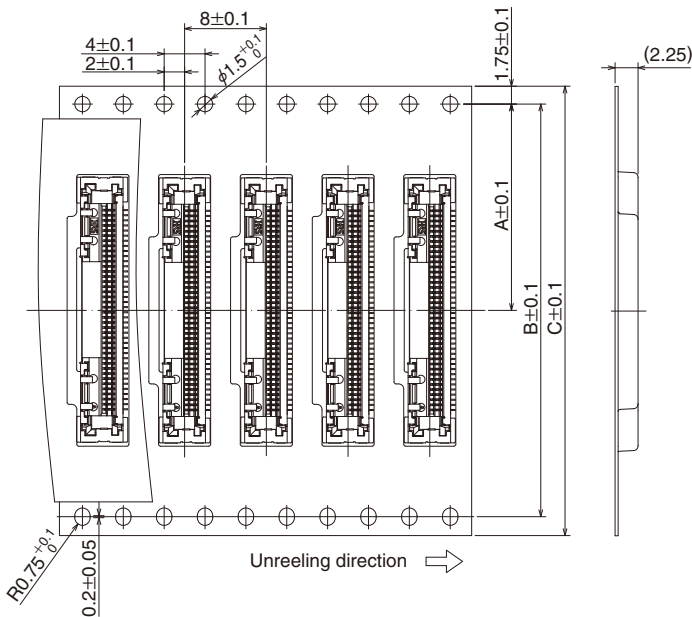
(Note 1) Amount of sale is by number of reels. Please order by number of reels. (10,000 pieces per reel)

## Precautions for use

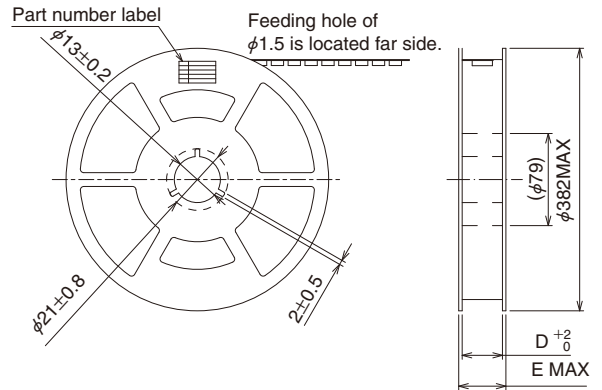
1. Recommended temperature profile (Applicable to temperature profile for lead free mounting)	<p><b>Applicable conditions</b></p> <ol style="list-style-type: none"> <li>1. Peak temperature : 250°C max.</li> <li>2. Heating : 220°C min. for 60 seconds max.</li> <li>3. Pre-heating : 150 to 180°C for 90 to 120 seconds</li> <li>4. Number of cycles : Up to 2 cycles</li> </ol> <p>* Solder composition : Sn-3Ag-0.5Cu</p> <p>(Note 1) Values in this temperature profile are one of the recommendations.</p>
2. Recommended manual soldering conditions	Temperature of the soldering iron: 350°C max. Soldering time: 3 seconds max.
3. Recommended screen thickness and open area ration (Pattern area ratio)	Thickness: 0.1mm Open area ratio: Lead terminal: 100% Ground terminal: 100%
4. Board distortion	Maximum of 0.02mm at the center of the connector with both ends of the connector as reference points
5. Cleaning conditions	IPA (Isopropyl Alcohol) cleaning is permitted. (Cleaning is not recommended as it may change the feel of the mating and un-mating of the connector. Please contact your Hirose sales representative for information if you plan to use any other cleaning agents.)

## ◆ Embossed carrier tape dimensional drawing (In accordance with JIS C 0806)

### ● Receptacle



### ● Reel status dimensional drawing

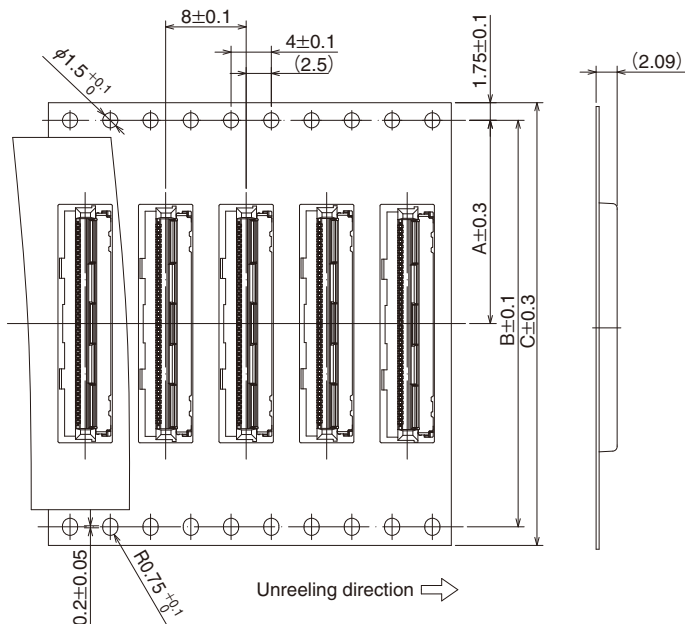


Unit: mm

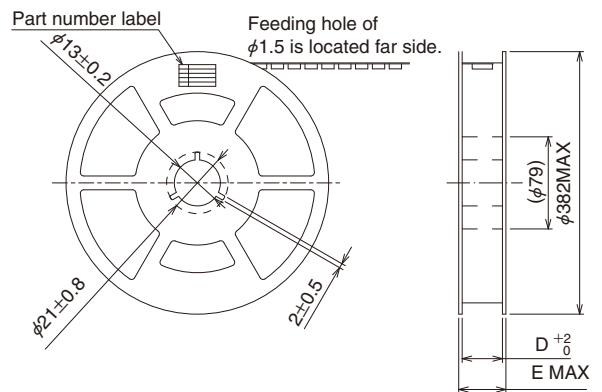
Part number	HRS No.	Number of contacts	A	B	C	D	E
DF80-30S-0.5V(51)	CL662-8004-0-51	30	20.2	40.4	44.0	44.4	50.4
DF80-40S-0.5V(51)	CL662-8001-2-51	40	20.2	40.4	44.0	44.4	50.4
DF80-50S-0.5V(51)	CL662-8007-9-51	50	20.2	40.4	44.0	44.4	50.4

## ◆ Embossed carrier tape dimensional drawing

### ● Plug



### ● Reel status dimensional drawing



Unit: mm

Part number	HRS No.	Number of contacts	A	B	C	D	E
DF80-30P-0.5SD(51)	CL662-8005-3-51	30	20.2	40.4	44.0	44.4	50.4
DF80-40P-0.5SD(51)	CL662-8002-5-51	40	20.2	40.4	44.0	44.4	50.4
DF80-50P-0.5SD(51)	CL662-8008-1-51	50	20.2	40.4	44.0	44.4	50.4

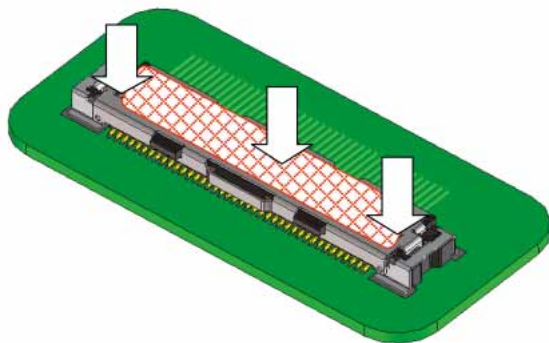


## ◆ Precautions for use

### Alert notes

#### ■ Mating insertion operation

- When inserting the plug, press straight down on the entire surface of the plug into place.
- Please note that inserting the plug while holding the terminal cable may cause an inclined insertion and may result in breakage of the connector.

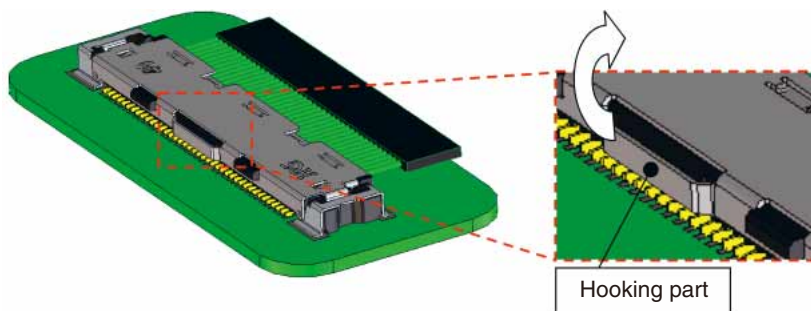


#### ■ Removal operation

- There are two ways to remove the plug. [Removing it with your fingers or pulling it out with a pull tab]
- Do NOT pull-out the plug while holding the terminal cable. It may cause a disconnection of the cable and breakage of the connector.

##### [Removing with fingers]

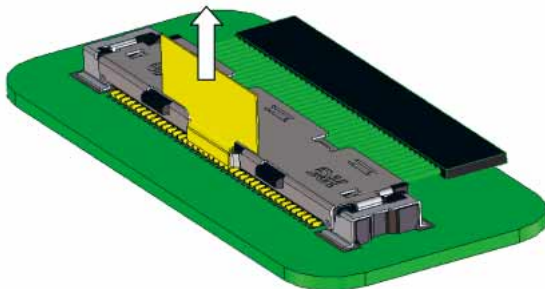
To un-mate the plug with your fingers, lift up the hooking part that is installed on the metal shell of the plug connector.



- Please be careful when trying to manipulate the hooking part as it is made of metal and it may hurt your finger or damage your finger nail.

##### [Removal via the pull tab]

Un-mate the plug by pulling-out the pull tab, installed on the plug connector, toward the direction of arrow (in a vertical direction).



- Do NOT insert or pull-out the plug while the connector is not mounted to a board. It may cause breakage of the connector or deformation of the terminal.
- Do NOT insert or pull-out the plug with excessive force. It may cause breakage of the connector.
- Do NOT apply the flux in the manual soldering process. It may cause a flux blister on the connector.

**USA:**

**HIROSE ELECTRIC (U.S.A.), INC. Headquarters**

2688 Westhills Court, Simi Valley, CA 93065-6235  
Phone : +1-805-522-7958  
Fax : +1-805-522-3217  
<http://www.hiroseusa.com>

**USA:**

**HIROSE ELECTRIC (U.S.A.), INC. San Jose Office**

20400 Stevens Creek Blvd., Ste 250, Cupertino,  
CA 95014  
Phone : +1-408-253-9640  
Fax : +1-408-253-9641  
<http://www.hiroseusa.com>

**USA:**

**HIROSE ELECTRIC (U.S.A.), INC. Detroit Office (Automotive)**

37677 Professional Center Drive, Suite #100C  
Livonia, MI 48154  
Phone : +1-734-542-9963  
Fax : +1-734-542-9964  
<http://www.hiroseusa.com>

**THE NETHERLANDS:**

**HIROSE ELECTRIC EUROPE B.V.**

Hogehillweg #8 1101 CC Amsterdam Z-0  
Phone : +31-20-6557460  
Fax : +31-20-6557469  
<http://www.hiroseeurope.com>

**GERMANY:**

**HIROSE ELECTRIC EUROPE B.V. GERMAN BRANCH**

Herzog-Carl-Strasse 4 D-73760 Ostfildern  
(Scharnhauser Park)  
Phone : +49-711-4560-02-1  
Fax : +49-711-4560-02-299  
<http://www.hirose.de>

**UNITED KINGDOM:**

**HIROSE ELECTRIC EUROPE B.V. UK BRANCH**

First Floor, St Andrews House, Caldecotte Lake  
Business Park, Milton Keynes MK7 8LE  
Phone : +44-1908-369060  
Fax : +44-1908-369078  
<http://www.hirose.co.uk>

**CHINA:**

**HIROSE ELECTRIC (SHANGHAI) CO., LTD.**

1601, Henderson Metropolitan, NO.300, East Nanjing  
Road, Huangpu District, Shanghai, China 200001  
Phone : +86-21-6391-3355  
Fax : +86-21-6391-3335  
<http://www.hirose-china.com.cn>

**CHINA:**

**HIROSE ELECTRIC (SHANGHAI) CO., LTD. BEIJING BRANCH**

A1001, Ocean International Center, Building 56# East 4th  
Ring Middle Road, Chao Yang District, Beijing, 100025  
Phone : +86-10-5165-9332  
Fax : +86-10-5908-1381  
<http://www.hirose-china.com.cn>

**CHINA:**

**HIROSE ELECTRIC TECHNOLOGIES (SHENZHEN) CO., LTD.**

Room 09-13, 19/F, Office Tower Shun Hing Square, Di Wang Commercial Centre  
5002, ShenNanDong Road, ShenZhen City, Guangdong Province, 518008  
Phone : +86-755-8207-0851  
Fax : +86-755-8207-0873  
<http://www.hirose-china.com.cn>

**HONG KONG:**

**HIROSE ELECTRIC HONGKONG TRADING CO., LTD.**

Room 1001, West Wing, Tsim Sha Tsui Centre, 66  
Mody Road, Tsim Sha Tsui East, Kowloon, Hong Kong  
Phone : +852-2803-5338  
Fax : +852-2591-6560  
<http://www.hirose-hongkong.com.hk>

**TAIWAN:**

**HIROSE ELECTRIC TAIWAN CO., LTD.**

103 8F, No.87, Zhengzhou Rd., Taipei  
Phone : +886-2-2555-7377  
Fax : +886-2-2555-7350  
<http://www.hirose-taiwan.com.tw>

**KOREA:**

**HIROSE KOREA CO., LTD.**

1261-10, Jeoungwhang-Dong, Shihung-City,  
Kyunggi-Do 429-450  
Phone : +82-31-496-7000, 7124  
Fax : +82-31-496-7100  
<http://www.hirose.co.kr>

**SINGAPORE:**

**HIROSE ELECTRIC SINGAPORE PTE. LTD.**

10 Anson Road #26-16 International Plaza 079903  
Phone : +65-6324-6113  
Fax : +65-6324-6123  
<http://www.hirose-singapore.com.sg>

**INDIA:**

**HIROSE ELECTRIC SINGAPORE PTE. LTD. BANGALORE LIAISON OFFICE**

Unit No.03, Ground Floor, Explorer Building International Tech  
Park Whitefield Road, Bangalore 560066 Karnataka, India  
Phone : +65-6324-6113  
Fax : +65-6324-6123  
<http://www.hirose-singapore.com.sg>



**HRS**

---

## HIROSE ELECTRIC CO.,LTD.

6-3, Nakagawa Chuoh-2-Chome, Tsuzuki-Ku, Yokohama-Shi 224-8540, JAPAN  
TEL: +81-45-620-3526 Fax: +81-45-591-3726  
<http://www.hirose.com>  
<http://www.hirose-connectors.com>

---



## Данный компонент на территории Российской Федерации

### Вы можете приобрести в компании MosChip.

Для оперативного оформления запроса Вам необходимо перейти по данной ссылке:

<http://moschip.ru/get-element>

Вы можете разместить у нас заказ для любого Вашего проекта, будь то серийное производство или разработка единичного прибора.

В нашем ассортименте представлены ведущие мировые производители активных и пассивных электронных компонентов.

Нашей специализацией является поставка электронной компонентной базы двойного назначения, продукции таких производителей как XILINX, Intel (ex.ALTERA), Vicor, Microchip, Texas Instruments, Analog Devices, Mini-Circuits, Amphenol, Glenair.

Сотрудничество с глобальными дистрибьюторами электронных компонентов, предоставляет возможность заказывать и получать с международных складов практически любой перечень компонентов в оптимальные для Вас сроки.

На всех этапах разработки и производства наши партнеры могут получить квалифицированную поддержку опытных инженеров.

Система менеджмента качества компании отвечает требованиям в соответствии с ГОСТ Р ИСО 9001, ГОСТ РВ 0015-002 и ЭС РД 009

### Офис по работе с юридическими лицами:

105318, г.Москва, ул.Щербаковская д.3, офис 1107, 1118, ДЦ «Щербаковский»

Телефон: +7 495 668-12-70 (многоканальный)

Факс: +7 495 668-12-70 (доб.304)

E-mail: [info@moschip.ru](mailto:info@moschip.ru)

Skype отдела продаж:

moschip.ru

moschip.ru\_4

moschip.ru\_6

moschip.ru\_9