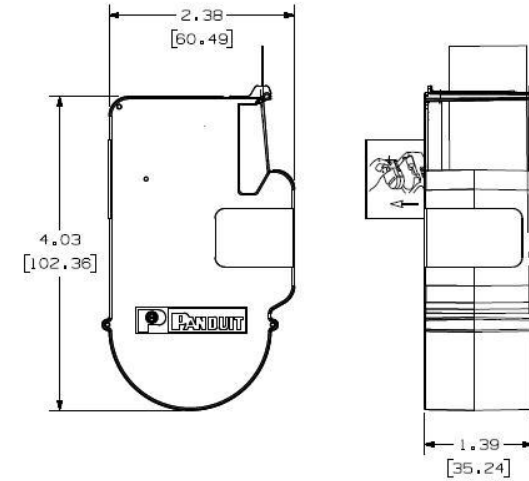


THIS COPY IS PROVIDED ON A RESTRICTED BASIS AND IS NOT TO BE USED IN ANY WAY DETRIMENTAL TO THE INTERESTS OF PANDUIT CORP.

PART NO.	PART DESCRIPTION	LABEL "A"	MATERIAL	ROLL LENGTH
T019X000FJC-BK	BLACK ON WHITE, POLYOLEFIN TAPE	0.19 [4.83]	GMPO4	300"
T024X000FJC-BK	BLACK ON WHITE, POLYOLEFIN TAPE	0.24 [6.10]	GMV14	
T024X000YKC-BK	BLACK ON CLEAR, POLYESTER TAPE		GMV15	
T024X000VPC-BK	BLACK ON WHITE, VINYL TAPE		GMV14	
T024X000VYC-WH	WHITE ON BLACK, VINYL TAPE		GMV15	
T031X000FJC-BK	BLACK ON WHITE, POLYOLEFIN TAPE	0.31 [7.87]	GMPO4	
T038X000FJC-BK	BLACK ON WHITE, POLYOLEFIN TAPE	0.38 [9.65]	GMV14	
T038X000VPC-BK	BLACK ON WHITE, VINYL TAPE		GMV15	
T038X000VQC-BK	BLACK ON BLUE, VINYL TAPE		GMV14	
T038X000VQC-WH	WHITE ON BLUE, VINYL TAPE		GMV15	
T038X000VSC-BK	BLACK ON GREEN, VINYL TAPE		GMV14	
T038X000VSC-WH	WHITE ON GREEN, VINYL TAPE		GMV15	
T038X000VUC-BK	BLACK ON ORANGE, VINYL TAPE		GMV14	
T038X000VWC-BK	BLACK ON RED, VINYL TAPE		GMV15	
T038X000VWC-WH	WHITE ON RED, VINYL TAPE		GMV14	
T038X000VXC-BK	BLACK ON YELLOW, VINYL TAPE		GMV15	
T038X000VYC-WH	WHITE ON BLACK, VINYL TAPE		GMV14	
T038X000YKC-BK	BLACK ON CLEAR, POLYESTER TAPE		GMV15	



1 OF 3

NOTES:
1. DIMENSIONS IN [] ARE IN MILLIMETERS.

4

4

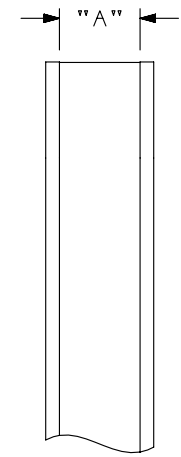
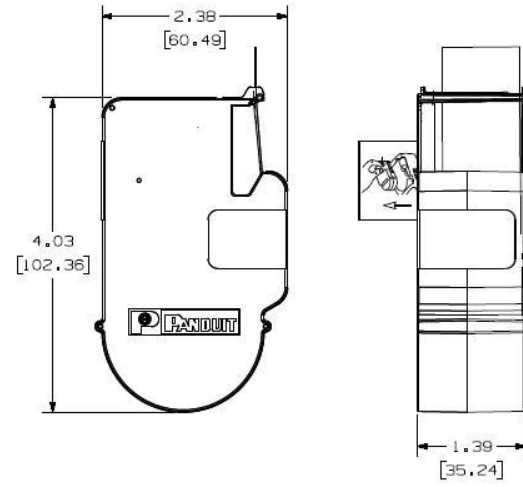
4

REV	DATE	BY	CHK	APR	DESCRIPTION	ECN
4	10/3/14	RVU	SEWH	MSAD	T038X000VXC-BK, T050X000VXC-BK, T075X000VXC-BK AND T100X000VXC-BK, MATERIAL: GMV14 WAS GMV15. REMOVE NOTE 2. COMBINE OTHER DWG., C10866, & C10867.	GAECN02340
3	10/12/12	RVU	SEWH	MSAD	T024X000VPC-BK, T038X000VPC-BK, T050X000VPC-BK, T075X000VPC-BK, T100X000VPC-BK, MATERIAL: GMV14 WAS GMV15.	GAECN00369
2	10/19/10	RVU			UPDATE ALL TABLE FROM THE NEW PART NO.	6195
1	4/14/09	LDG			ADDED T050X000VPC-RD, T100X000VPC-RD.	5702
0	4/30/08	RVU			DRAWING RELEASE	5403

TITLE P1 T***X*** CASSETTE CONTINUOUS TAPE LABEL CUSTOMER DRAWING					
ITEM REVISION NAME 10074380/23			PANDUIT		
DATASET FILE NAME 10074380_DC_C10695/23E					
UNLESS OTHERWISE SPECIFIED, DIMENSIONAL TOLERANCES ARE: IN [mm] .x ± .03 [.762] .xxx ± .025 [.635] .xx ± .03 [.762] ANGLES ±			MATERIAL: SEE TABLE		
DRAWING NUMBER: C10695			DRAWING NUMBER: C10695		
DRAWN BY RVU	DATE 4/30/08	CHK MSAD	SCALE NTS	SHT 1 OF 1	

THIS COPY IS PROVIDED ON A RESTRICTED BASIS AND IS NOT TO BE USED IN ANY WAY DETRIMENTAL TO THE INTERESTS OF PANDUIT CORP.

P1 CASSETTE PART NO.	PART DESCRIPTION	LABEL "A"	MATERIAL	ROLL LENGTH
T050X000VPC-BK	BLACK ON WHITE, VINYL TAPE	0.50 [12.70]	GMV14	300"
T050X000VPC-RD	RED ON WHITE, VINYL TAPE		GMV15	
T050X000YKC-BK	BLACK ON CLEAR, POLYESTER TAPE		GMV4-C	
T050X000VXC-BK	BLACK ON YELLOW, VINYL TAPE		GMV14	
T050X000VUC-BK	BLACK ON ORANGE, VINYL TAPE		GMV15	
T050X000VWC-BK	BLACK ON RED, VINYL TAPE			
T050X000VSC-BK	BLACK ON GREEN, VINYL TAPE			
T050X000VQC-BK	BLACK ON BLUE, VINYL TAPE			
T050X000VYC-WH	WHITE ON BLACK, VINYL TAPE			
T050X000VQC-WH	WHITE ON BLUE, VINYL TAPE			
T050X000VSC-WH	WHITE ON GREEN, VINYL TAPE			
T050X000VWC-WH	WHITE ON RED, VINYL TAPE			
T050X000YKC-WH	WHITE ON CLEAR, POLYESTER TAPE	GMV4-C		
T075X000VPC-BK	BLACK ON WHITE, VINYL TAPE	0.75 [19.05]	GMV14	
T075X000VQC-BK	BLACK ON BLUE, VINYL TAPE		GMV15	
T075X000VQC-WH	WHITE ON BLUE, VINYL TAPE			
T075X000VSC-BK	BLACK ON GREEN, VINYL TAPE			
T075X000VSC-WH	WHITE ON GREEN, VINYL TAPE			
T075X000VUC-BK	BLACK ON ORANGE, VINYL TAPE			
T075X000VWC-BK	BLACK ON RED, VINYL TAPE			
T075X000VWC-WH	WHITE ON RED, VINYL TAPE			
T075X000VXC-BK	BLACK ON YELLOW, VINYL TAPE			GMV14
T075X000VYC-WH	WHITE ON BLACK, VINYL TAPE		GMV15	
T075X000YKC-BK	BLACK ON CLEAR, POLYESTER TAPE	GMV4-C		



2 OF 3

NOTES:
1. DIMENSIONS IN [] ARE IN MILLIMETERS.

4

4

4

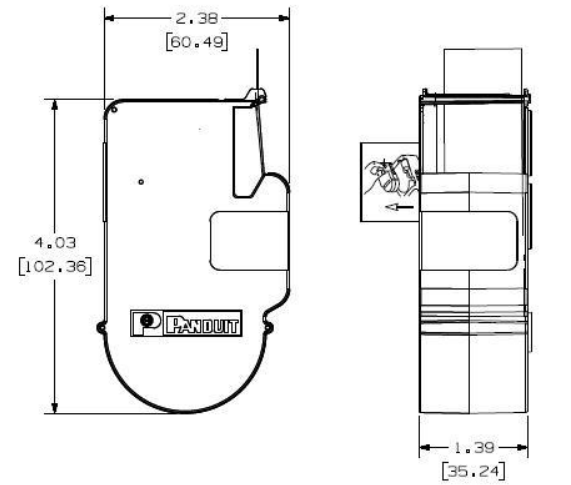
4

REV	DATE	BY	CHK	APR	DESCRIPTION	ECN
4	10/3/14	RVU	SEWH	MSAD	T038X000VXC-BK, T050X000VXC-BK, T075X000VXC-BK AND T100X000VXC-BK, MATERIAL: GMV14 WAS GMV15. REMOVE NOTE 2. COMBINE OTHER DWG., C10866, & C10867.	GAECN02340
3	10/12/12	RVU	SEWH	MSAD	T024X000VPC-BK, T038X000VPC-BK, T050X000VPC-BK, T075X000VPC-BK, T100X000VPC-BK, MATERIAL: GMV14 WAS GMV15.	GAECN00371
2	10/19/10	RVU			UPDATE ALL TABLE FROM THE NEW PART NO.	6195
1	4/14/09	LDG			ADDED T050X000VPC-RD, T100X000VPC-RD.	5702
0	4/30/08	RVU			DRAWING RELEASE	5403

TITLE					
P1 T***X*** CASSETTE CONTINUOUS TAPE LABEL					
CUSTOMER DRAWING					
ITEM REVISION NAME			10074380/23		
DATASET FILE NAME			10074380_DC_C10695/23E		
UNLESS OTHERWISE SPECIFIED, DIMENSIONAL TOLERANCES ARE: IN [mm]			PANDUIT		
.x ± .03 [.762] .xxx ± .025 [.635] .xx ± .03 [.762] ANGLES ±					
			THIRD ANGLE PROJECTION		
DRAWN BY			DRAWING NUMBER:		
RVU	DATE	CHK	SCALE	SHT 1 OF 1	
	4/30/08	MSAD	NTS	C10695	
					SIZE
					A

THIS COPY IS PROVIDED ON A RESTRICTED BASIS AND IS NOT TO BE USED IN ANY WAY DETRIMENTAL TO THE INTERESTS OF PANDUIT CORP.

P1 CASSETTE PART NO.	PART DESCRIPTION	LABEL "A"	MATERIAL	ROLL LENGTH
T100X000VPC-BK	BLACK ON WHITE, VINYL TAPE	1.00 [25.40]	GMV15	300"
T100X000VPC-RD	RED ON WHITE, VINYL TAPE		GMV14	
T100X000YKC-BK	BLACK ON CLEAR, POLYESTER TAPE		GMV4-C	
T100X000VXC-BK	BLACK ON YELLOW, VINYL TAPE		GMV14	
T100X000VUC-BK	BLACK ON ORANGE, VINYL TAPE		GMV15	
T100X000VWC-BK	BLACK ON RED, VINYL TAPE			
T100X000VSC-BK	BLACK ON GREEN, VINYL TAPE			
T100X000VQC-BK	BLACK ON BLUE, VINYL TAPE			
T100X000VYC-WH	WHITE ON BLACK, VINYL TAPE			
T100X000VXC-WH	WHITE ON YELLOW, VINYL TAPE			
T100X000VUC-WH	WHITE ON ORANGE, VINYL TAPE		GMV4-C	
T100X000VWC-WH	WHITE ON RED, VINYL TAPE			
T100X000VSC-WH	WHITE ON GREEN, VINYL TAPE		GMRS	216"
T100X000VQC-WH	WHITE ON BLUE, VINYL TAPE			
T100X000YKC-WH	WHITE ON CLEAR, POLYESTER TAPE			
T100X000RXC-BK	BLACK ON YELLOW, REFLECTIVE VINYL			
T100X000RUC-BK	BLACK ON ORANGE, REFLECTIVE VINYL			
T100X000RPC-BK	BLACK ON WHITE, REFLECTIVE VINYL			



3 OF 3



NOTES:
1. DIMENSIONS IN [] ARE IN MILLIMETERS.



B

B

A

A

REV	DATE	BY	CHK	APR	DESCRIPTION	ECN
4	10/3/14	RVU	SEWH	MSAD	T038X000VXC-BK, T050X000VXC-BK, T075X000VXC-BK AND T100X000VXC-BK, MATERIAL: GMV14 WAS GMV15. REMOVE NOTE 2. COMBINE OTHER DWG., C10866, & C10867.	GAECN02340
3	10/12/12	RVU	SEWH	MSAD	T024X000VPC-BK, T038X000VPC-BK, T050X000VPC-BK, T075X000VPC-BK, T100X000VPC-BK, MATERIAL: GMV14 WAS GMV15.	GAECN00372
2	10/19/10	RVU			UPDATE ALL TABLE FROM THE NEW PART NO.	6195
1	4/14/09	LDG			ADDED T050X000VPC-RD, T100X000VPC-RD.	5702
0	4/30/08	RVU			DRAWING RELEASE	5403

TITLE P1 T***X*** CASSETTE CONTINUOUS TAPE LABEL CUSTOMER DRAWING				
ITEM REVISION NAME		10074380/23		
DATASET FILE NAME		10074380_DC_C10695/23E		
UNLESS OTHERWISE SPECIFIED, DIMENSIONAL TOLERANCES ARE: IN [mm]		PANDUIT MATERIAL: SEE TABLE		
.x ± .xxx ± .025 [.635] .xx ± .03 [.762] ANGLS ±		DRAWING NUMBER: C10695		
THIRD ANGLE PROJECTION				
DRAWN BY	DATE	CHK	SCALE	SIZE
RVU	4/30/08	MSAD	NTS	A
SHT 1 OF 1				

Данный компонент на территории Российской Федерации

Вы можете приобрести в компании MosChip.

Для оперативного оформления запроса Вам необходимо перейти по данной ссылке:

<http://moschip.ru/get-element>

Вы можете разместить у нас заказ для любого Вашего проекта, будь то серийное производство или разработка единичного прибора.

В нашем ассортименте представлены ведущие мировые производители активных и пассивных электронных компонентов.

Нашей специализацией является поставка электронной компонентной базы двойного назначения, продукции таких производителей как XILINX, Intel (ex.ALTERA), Vicor, Microchip, Texas Instruments, Analog Devices, Mini-Circuits, Amphenol, Glenair.

Сотрудничество с глобальными дистрибьюторами электронных компонентов, предоставляет возможность заказывать и получать с международных складов практически любой перечень компонентов в оптимальные для Вас сроки.

На всех этапах разработки и производства наши партнеры могут получить квалифицированную поддержку опытных инженеров.

Система менеджмента качества компании отвечает требованиям в соответствии с ГОСТ Р ИСО 9001, ГОСТ РВ 0015-002 и ЭС РД 009

Офис по работе с юридическими лицами:

105318, г.Москва, ул.Щербаковская д.3, офис 1107, 1118, ДЦ «Щербаковский»

Телефон: +7 495 668-12-70 (многоканальный)

Факс: +7 495 668-12-70 (доб.304)

E-mail: info@moschip.ru

Skype отдела продаж:

moschip.ru

moschip.ru_4

moschip.ru_6

moschip.ru_9