

TLE4941C in PG-SSO-2-4  
Differential Two-Wire Hall Effect Sensor-IC for  
Wheel Speed Applications

Final Data Sheet

Revision 3.0

ATV SC AE



Never stop thinking

**Edition March 2010**

**Published by  
Infineon Technologies AG  
81726 München, Germany  
© 2010 Infineon Technologies AG  
All Rights Reserved.**

#### **Legal Disclaimer**

The information given in this document shall in no event be regarded as a guarantee of conditions or characteristics. With respect to any examples or hints given herein, any typical values stated herein and/or any information regarding the application of the device, Infineon Technologies hereby disclaims any and all warranties and liabilities of any kind, including without limitation, warranties of non-infringement of intellectual property rights of any third party.

#### **Information**

For further information on technology, delivery terms and conditions and prices, please contact the nearest Infineon Technologies Office ([www.infineon.com](http://www.infineon.com)).

#### **Warnings**

Due to technical requirements, components may contain dangerous substances. For information on the types in question, please contact the nearest Infineon Technologies Office.

Infineon Technologies components may be used in life-support devices or systems only with the express written approval of Infineon Technologies, if a failure of such components can reasonably be expected to cause the failure of that life-support device or system or to affect the safety or effectiveness of that device or system. Life support devices or systems are intended to be implanted in the human body or to support and/or maintain and sustain and/or protect human life. If they fail, it is reasonable to assume that the health of the user or other persons may be endangered.

---

**Revision History: March 2010, Revision 3.0**

**Previous Version: September 2007, Data Sheet, V2.2**

Page	Subjects (major changes since last revision)
all	Changes due to PCN 2009-069-A
5	New Ordering Code inserted

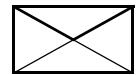
**We Listen to Your Comments**

Any information within this document that you feel is wrong, unclear or missing at all?

Your feedback will help us to continuously improve the quality of this document.

Please send your proposal (including a reference to this document) to:

[sensors@infineon.com](mailto:sensors@infineon.com)



## Table of Contents

	<b>Table of Contents</b> .....	4
<b>1</b>	<b>Product Description</b> .....	5
1.1	Overview .....	5
1.2	Features .....	5
<b>2</b>	<b>Functional Description</b> .....	6
2.1	General .....	6
2.2	Pin Configuration and Marking .....	6
2.3	Block Diagram .....	7
2.3.1	Output Description .....	8
<b>3</b>	<b>Specification</b> .....	9
3.1	Absolute Maximum Ratings .....	9
3.2	Operating Range .....	10
3.3	Electrical Characteristics .....	11
3.4	Typical Diagrams (measured performance) .....	13
3.5	Electro Magnetic Compatibility (EMC) .....	16
<b>4</b>	<b>Package Information</b> .....	18
4.1	Package Outline .....	19
4.2	Packing .....	19

## 1 Product Description

### 1.1 Overview

The Hall Effect sensor IC TLE4941C is designed to provide information about rotational speed to modern vehicle dynamics control systems and ABS. The output has been designed as a two wire current interface. The sensor operates without external components and combines a fast power-up time with a low cut-off frequency. Excellent accuracy and sensitivity is specified for harsh automotive requirements as a wide temperature range, high ESD and EMC robustness. State-of-the art BiCMOS technology is used for monolithic integration of the active sensor areas and the signal conditioning circuitry.

Finally, the optimized piezo compensation and the integrated dynamic offset compensation enable easy manufacturing and elimination of magnet offsets.

The TLE4941C is additionally provided with an overmolded 1.8 nF capacitor for improved EMI performance.

### 1.2 Features

- Two-wire current interface
- Dynamic self-calibration principle
- Single chip solution
- No external components needed
- High sensitivity
- South and north pole pre-induction possible
- High resistance to piezo effects
- Large operating air-gaps
- Wide operating temperature range
- TLE4941C: 1.8 nF overmolded capacitor



Product Name	Product Type	Ordering Code	Package
TLE4941C in PG-SSO-2-4	Diff. Speed Sensor	SP000710666	PG-SSO-2-4

## 2 Functional Description

### 2.1 General

The differential hall sensor IC detects the motion of ferromagnetic and permanent magnet structures by measuring the differential flux density of the magnetic field. To detect the motion of ferromagnetic objects the magnetic field must be provided by a back biasing permanent magnet. Either south or north pole of the magnet can be attached to the rear unmarked side of the IC package.

Magnetic offsets of up to  $\pm 20$  mT and device offsets are cancelled by a self-calibration algorithm. Only a few transitions are necessary for self-calibration. After the initial calibration sequence switching occurs when the input signal is crossing the arithmetic mean of its max. and min. value (e.g. zero-crossing for sinusoidal signals).

The ON and OFF state of the IC are indicated by **High** and **Low** current consumption.

### 2.2 Pin Configuration and Marking

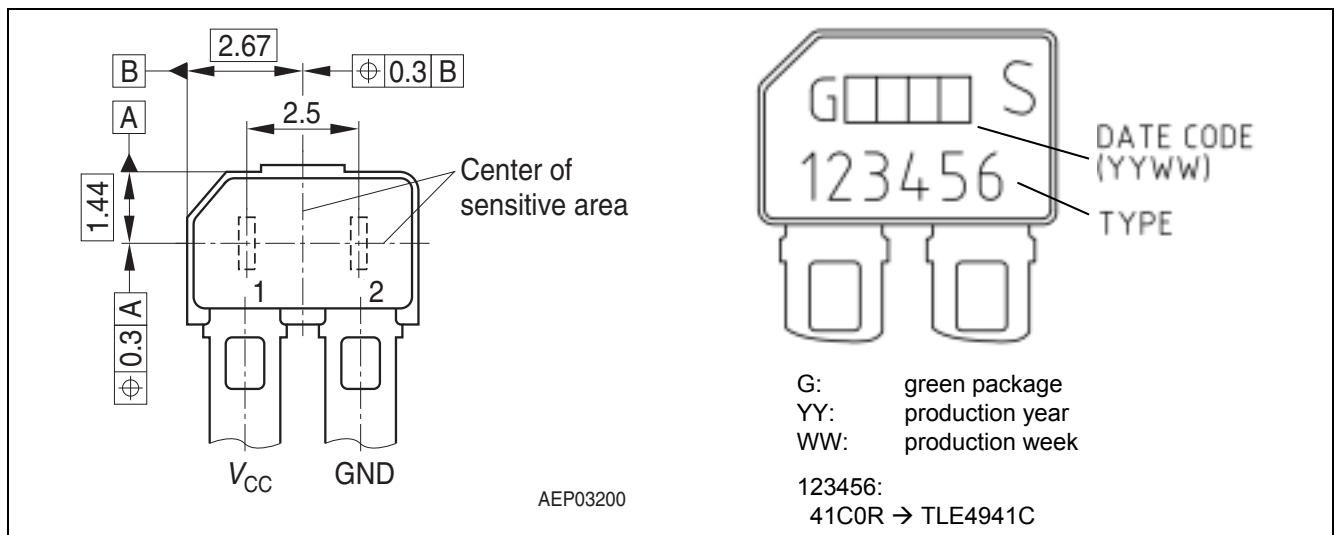
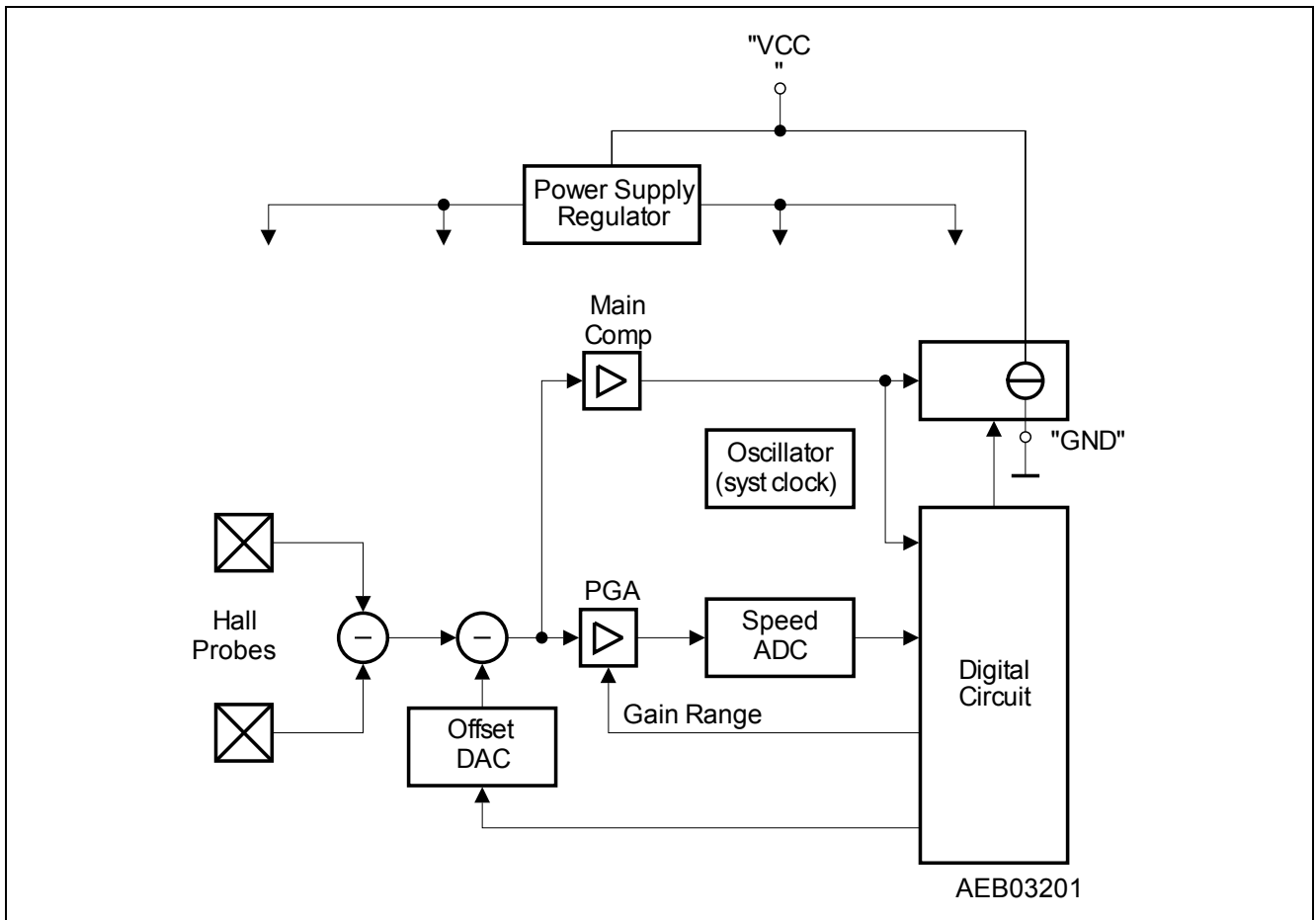


Figure 1 Pin Description (view on branded side of component)



### 2.3 Block Diagram



**Figure 2 Block Diagram**

The circuit is supplied internally by a 3 V voltage regulator. An on-chip oscillator serves as clock generator for the digital part of the circuit.

TLE4941C signal path is comprised of a pair of hall probes, spaced at 2.5 mm, a differential amplifier including a noise-limiting low-pass filter and a comparator feeding a switched current output stage. In addition an offset cancellation feedback loop is provided by a signal-tracking A/D converter, a digital signal processor (DSP) and an offset cancellation D/A converter.

During the startup phase (un-calibrated mode) the output is disabled ( $I = I_{LOW}$ ).

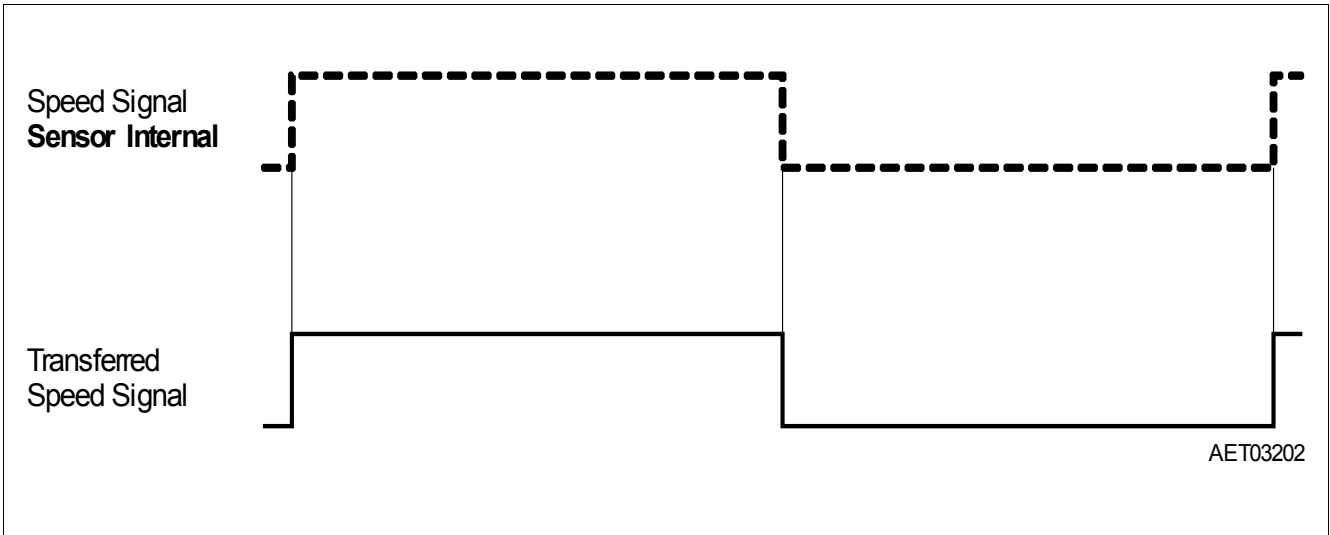
The differential input signal is digitized in the speed A/D converter and fed into the DSP. The minimum and maximum values of the input signal are extracted and their corresponding arithmetic mean value is calculated. The offset of this mean value is determined and fed into the offset cancellation DAC.

After successful correction of the offset, the output switching is enabled.

In running mode (calibrated mode) the offset correction algorithm of the DSP is switched into a low-jitter mode, avoiding oscillation of the offset DAC LSB. Switching occurs at zero-crossing. It is only affected by the (small) remaining offset of the comparator and by the remaining propagation delay time of the signal path, mainly determined by the noise-limiting filter. Signals below a defined threshold  $\Delta B_{Limit}$  are not detected to avoid unwanted parasitic switching.

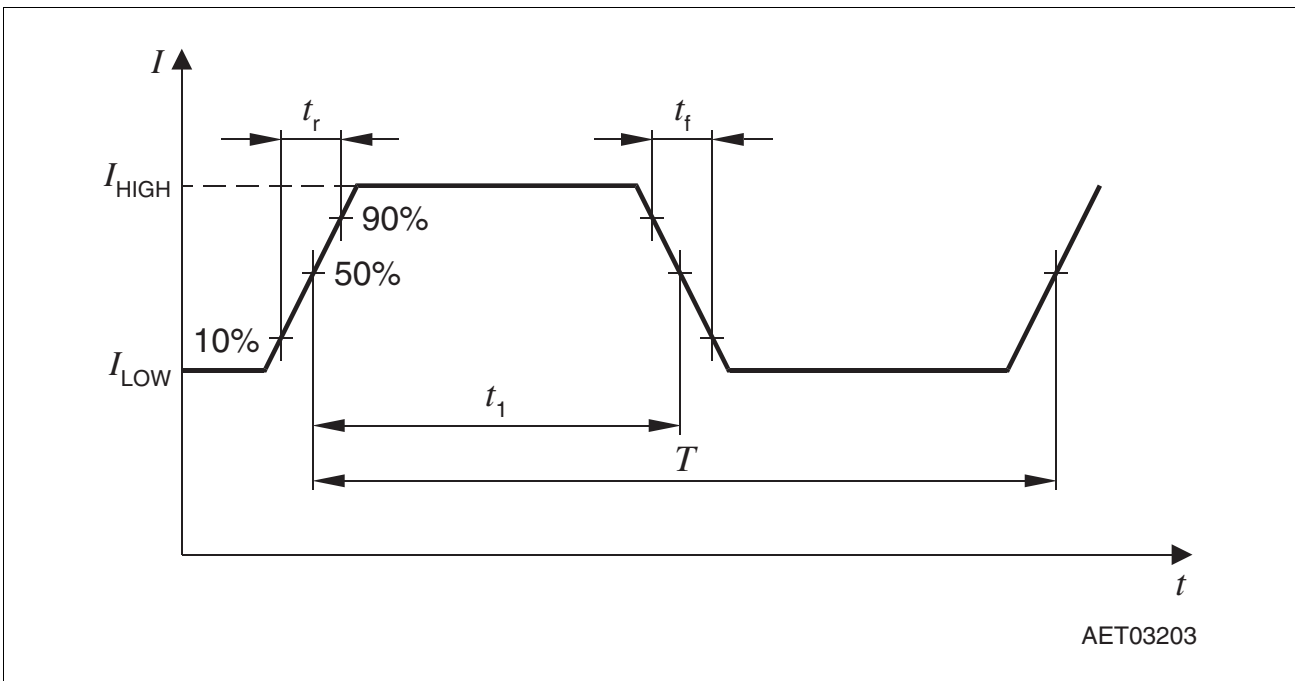
### 2.3.1 Output Description

Under ideal conditions, the output shows a duty cycle of 50%. Under real conditions, the duty cycle is determined by the mechanical dimensions of the target wheel and its tolerances (40% to 60% might be exceeded for pitch >> 5 mm due to the zero-crossing principle).



AET03202

Figure 3 Speed Signal (half a period =  $0.5 \times 1/f_{\text{speed}}$ )



AET03203

Figure 4 Definition of Rise and Fall Time, Duty =  $t_1/T \times 100\%$



### 3 Specification

#### 3.1 Absolute Maximum Ratings

**Table 1 Absolute Maximum Ratings**  
 $T_j = -40^\circ\text{C}$  to  $150^\circ\text{C}$ ,  $4.5\text{ V} \leq V_{CC} \leq 16.5\text{ V}$

Parameter	Symbol	Limit Values		Unit	Remarks
		min.	max.		
Supply voltage	$V_{CC}$	-0.3	-	V	$T_j < 80^\circ\text{C}$
		-	16.5		$T_j = 170^\circ\text{C}$
		-	20		$T_j = 150^\circ\text{C}$
		-	22		$t = 10 \times 5\text{ min.}$
		-	24		$t = 10 \times 5\text{ min.},$ $R_M \geq 75\ \Omega$ included in $V_{CC}$
		-	27		$t = 400\text{ ms}, R_M \geq 75\ \Omega$ included in $V_{CC}$
Reverse polarity current	$I_{rev}$	-	200	mA	External current limitation required, $t < 4\text{ h}$
Junction temperature	$T_j$	-	150	$^\circ\text{C}$	5000 h, $V_{CC} < 16.5\text{ V}$
		-	160		2500 h, $V_{CC} < 16.5\text{ V}$ (not additive)
		-	170		500 h, $V_{CC} < 16.5\text{ V}$ (not additive)
		-	190		4 h, $V_{CC} < 16.5\text{ V}$
Active lifetime	$t_{B,active}$	10000	-	h	
Storage temperature	$T_S$	-40	150	$^\circ\text{C}$	
Thermal resistance PG-SSO-2-4	$R_{thJA}$	-	190	K/W	1)

1) Can be significantly improved by further processing like overmolding

**Attention: Stresses above the max. values listed here may cause permanent damage to the device. Exposure to absolute maximum rating conditions for extended periods may affect device reliability. Maximum ratings are absolute ratings; exceeding only one of these values may cause irreversible damage to the integrated circuit.**

**Table 2 ESD Protection**  
 Human Body Model (HBM) tests according to  
 Standard EIA/JESD22-A114-B HBM (covers MIL STD 883D)

Parameter	Symbol	Limit Values		Unit	Notes
		min.	max.		
ESD-Protection TLE4941C	$V_{ESD}$	-	$\pm 12$	kV	$R = 1.5\text{ k}\Omega,$ $C = 100\text{ pF}$

### 3.2 Operating Range

**Table 3** Operating Range

Parameter	Symbol	Limit Values		Unit	Remarks
		min.	max.		
Supply voltage	$V_{CC}$	4.5	20	V	Directly on IC leads; includes not the voltage drop at $R_M$
Supply voltage ripple	$V_{AC}$	–	6	Vpp	$V_{CC} = 13\text{ V}$ $0 < f < 50\text{ kHz}$
Junction temperature	$T_j$	– 40	150	°C	500 h, $V_{CC} \leq 16.5\text{ V}$ , increased jitter permissible
		–	170		
Pre-induction	$B_0$	– 500	+ 500	mT	
Pre-induction offset between outer probes	$\Delta B_{\text{stat., } l/r}$	– 20	+ 20	mT	
Differential Induction	$\Delta B$	– 120	+ 120	mT	

*Note: Within the operating range the functions given in the circuit description are fulfilled.*

### 3.3 Electrical Characteristics

**Table 4 Electrical Characteristics**

All values specified at constant amplitude and offset of input signal, over operating range, unless otherwise specified. Typical values correspond to  $V_{CC} = 12\text{ V}$  and  $T_A = 25^\circ\text{C}$

Parameter	Symbol	Limit Values			Unit	Remarks
		min.	typ.	max.		
Supply current	$I_{LOW}$	5.9	7	8.4	mA	
Supply current	$I_{HIGH}$	11.8	14	16.8	mA	
Supply current ratio	$I_{HIGH} / I_{LOW}$	1.9	–	–		
Output rise/fall slew rate TLE4941C	$t_r, t_f$	12 7.5	– –	26 24	mA/ $\mu\text{s}$	$R_M \leq 150\ \Omega$ $R_M \leq 750\ \Omega$ See Figure 4
Output rise/fall slew rate TLE4941C	$t_r, t_f$	8 8	– –	22 26	mA/ $\mu\text{s}$	$R_M = 75\ \Omega$ $T < 125^\circ\text{C}$ $T < 170^\circ\text{C}$ See Figure 4
Current ripple $dI_X/dV_{CC}$	$I_X$	–	–	90	$\mu\text{A/V}$	only valid for 4941 <sup>1)</sup>
Limit threshold 1 Hz < $f$ < 2500 Hz 2500 Hz < $f$ < 10000 Hz	$\Delta B_{Limit}$	0.35 –	0.8 –	1.5 1.7	mT	2)
Initial calibration delay time	$t_{d,input}$	–	–	300	$\mu\text{s}$	Additional to $n_{start}$ <sup>3)</sup>
Magnetic edges required for initial calibration	$n_{start}$	–	3	6 <sup>4)</sup>	magn. edges <sup>5)</sup>	7 <sup>th</sup> edge correct <sup>6)</sup>
Frequency	$f$	1 <sup>7)</sup> 2500	– –	2500 10000	Hz	8)
Frequency changes	$df/dt$	–	–	$\pm 100$	Hz/ms	
Duty cycle	duty	40	50	60	%	<sup>9)</sup> $\Delta B = 2\text{ mT sin-wave}$ Def. See Figure 4
Jitter, $T_j < 150^\circ\text{C}$ $T_j < 170^\circ\text{C}$ 1 Hz < $f$ < 2500 Hz	$S_{Jit-close}$	– –	– –	$\pm 2$ $\pm 3$	%	<sup>10)</sup> $1\sigma$ value $V_{CC} = 12\text{ V}$ $\Delta B \geq 2\text{ mT}$
Jitter, $T_j < 150^\circ\text{C}$ $T_j < 170^\circ\text{C}$ 2500 Hz < $f$ < 10000 Hz	$S_{Jit-close}$	– –	– –	$\pm 3$ $\pm 4.5$	%	<sup>10)</sup> $1\sigma$ value $V_{CC} = 12\text{ V}$ $\Delta B \geq 2\text{ mT}$
Jitter, $T_j < 150^\circ\text{C}$ $T_j < 170^\circ\text{C}$ 1 Hz < $f$ < 2500 Hz	$S_{Jit-far}$	– –	– –	$\pm 4$ $\pm 6$	%	<sup>10)</sup> $1\sigma$ value $V_{CC} = 12\text{ V}$ $2\text{ mT} \geq \Delta B > \Delta B_{Limit}$
Jitter, $T_j < 150^\circ\text{C}$ $T_j < 170^\circ\text{C}$ 2500 Hz < $f$ < 10000 Hz	$S_{Jit-far}$	– –	– –	$\pm 6$ $\pm 9$	%	<sup>10)</sup> $1\sigma$ value $V_{CC} = 12\text{ V}$ $2\text{ mT} \geq \Delta B > \Delta B_{Limit}$
Jitter at board net ripple	$S_{Jit-AC}$	–	–	$\pm 2$	%	$V_{CC} = 13\text{ V} \pm 6\text{ V}_{pp}$ $0 < f < 50\text{ kHz}$ $\Delta B = 15\text{ mT}$

1) only valid for TLE4941. For TLE4941C higher values occur and depend strongly on  $R_m$ -C combination

2) Magnetic amplitude values, sine magnetic field, limits refer to the 50% criteria. 50% of edges are missing

- 3) Occurrence of Initial Calibration Delay Time  $t_{d,input}$   
 If there is no input signal (standstill), a new initial calibration is triggered each 0.7 s. This calibration has a duration  $t_{d,input}$  of max. 300  $\mu$ s. No input signal change is detected during that initial calibration time. In normal operation (signal startup) the probability of  $t_{d,input}$  to come into effect is:  $t_{d,input} / \text{time frame for new calibration } 300 \mu\text{s} / 700 \text{ ms} = 0.05\%$ . After IC resets (e.g. after a significant undervoltage)  $t_{d,input}$  will always come into effect.
- 4) Magnetic Input Signal Extremely Close to a Switching Threshold of PGA (Programmable Gain Amplifier) at Signal Startup  
 After signal startup generally all PGA switching into the appropriate gain state happens within less than one signal period. This is included in the calculation for  $n_{DZ-Start}$ . For the very rare case that the signal amplitude is extremely close to a PGA switching threshold and the full range of following speed ADC respectively, a slight change of the signal amplitude can cause one further PGA switching. It can be caused by non-perfect magnetic signal (e.g. amplitude modulation due to tolerances of pole-wheel, tooth wheel or air gap variation). This additional PGA switching can result in a further delay of the output signal ( $n_{DZ-Start}$ ) up to three magnetic edges leading to a worst case of  $n_{DZ-Start} = 9$ . Due to the low probability of this case it is not defined as max. value in the data sheet.
- 5) The sensor requires up to  $n_{start}$  magnetic switching edges for valid speed information after power-up or after a stand still condition. During that phase the output is disabled.
- 6) One magnetic edge is defined as a monotonic signal change of more than 3.3 mT
- 7) only valid in calibrated mode. For entering calibrated mode higher frequencies are necessary.
- 8) High frequency behavior not subject to production test - verified by design/characterization. Frequency above 2500 Hz may have influence on jitter performance and magnetic thresholds
- 9) During fast offset alterations, due to the calibration algorithm, exceeding the specified duty cycle is permitted for short time periods
- 10) Not subject to production test verified by design/characterization

### 3.4 Typical Diagrams (measured performance)

$T_c = T_{case, IC} = \text{approx. } T_j - 5^\circ\text{C}$

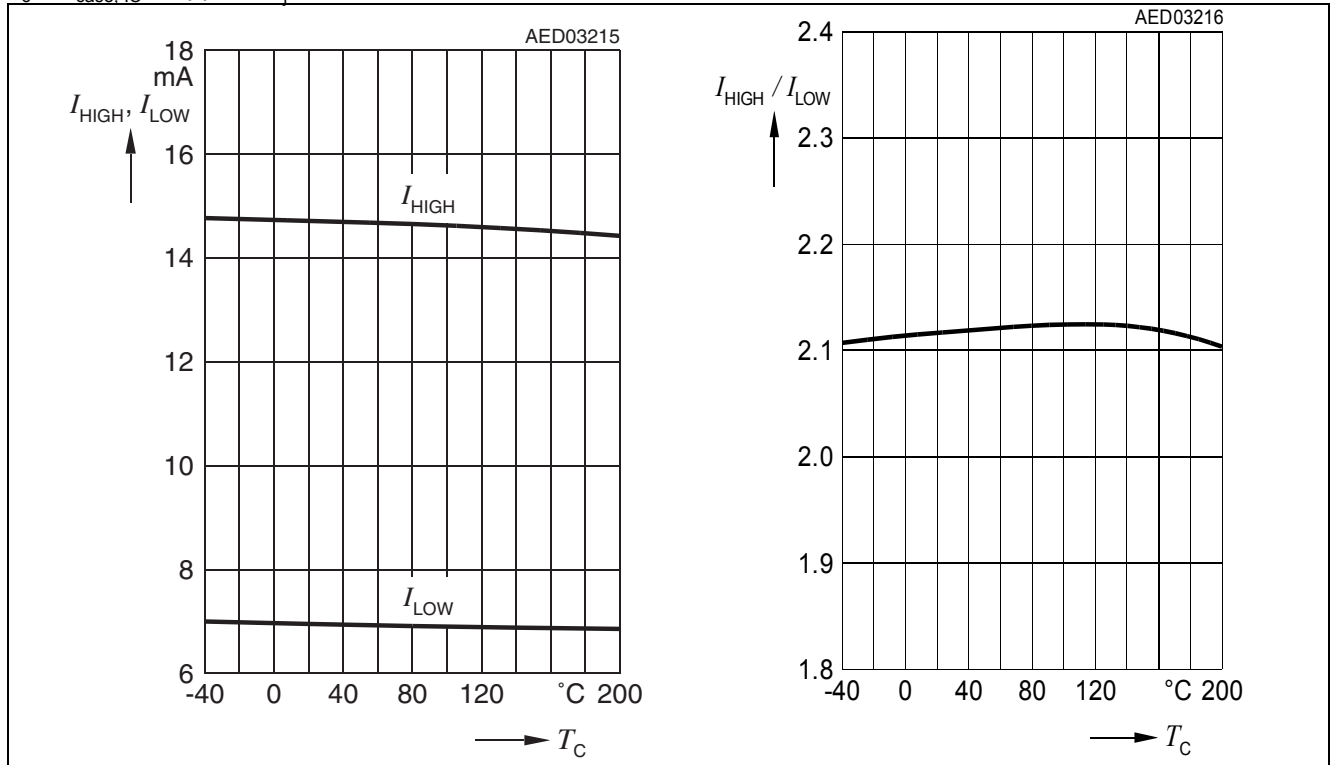


Figure 5 Supply Current =  $f(T)$  (left), Supply Current Ratio  $I_{high} / I_{Low} = f(T)$  (right)

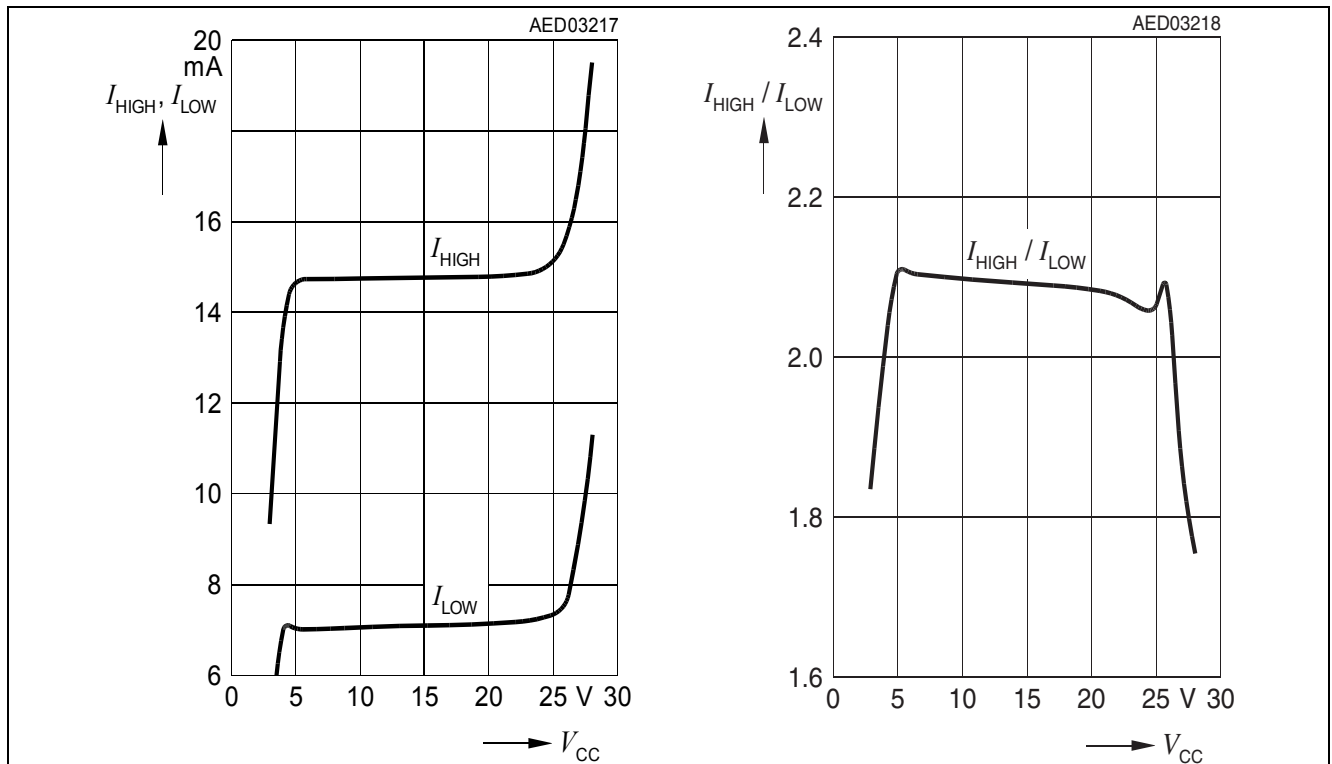


Figure 6 Supply Current =  $f(V_{cc})$  (left), Supply Current Ratio  $I_{high} / I_{Low} = f(V_{cc})$  (right)

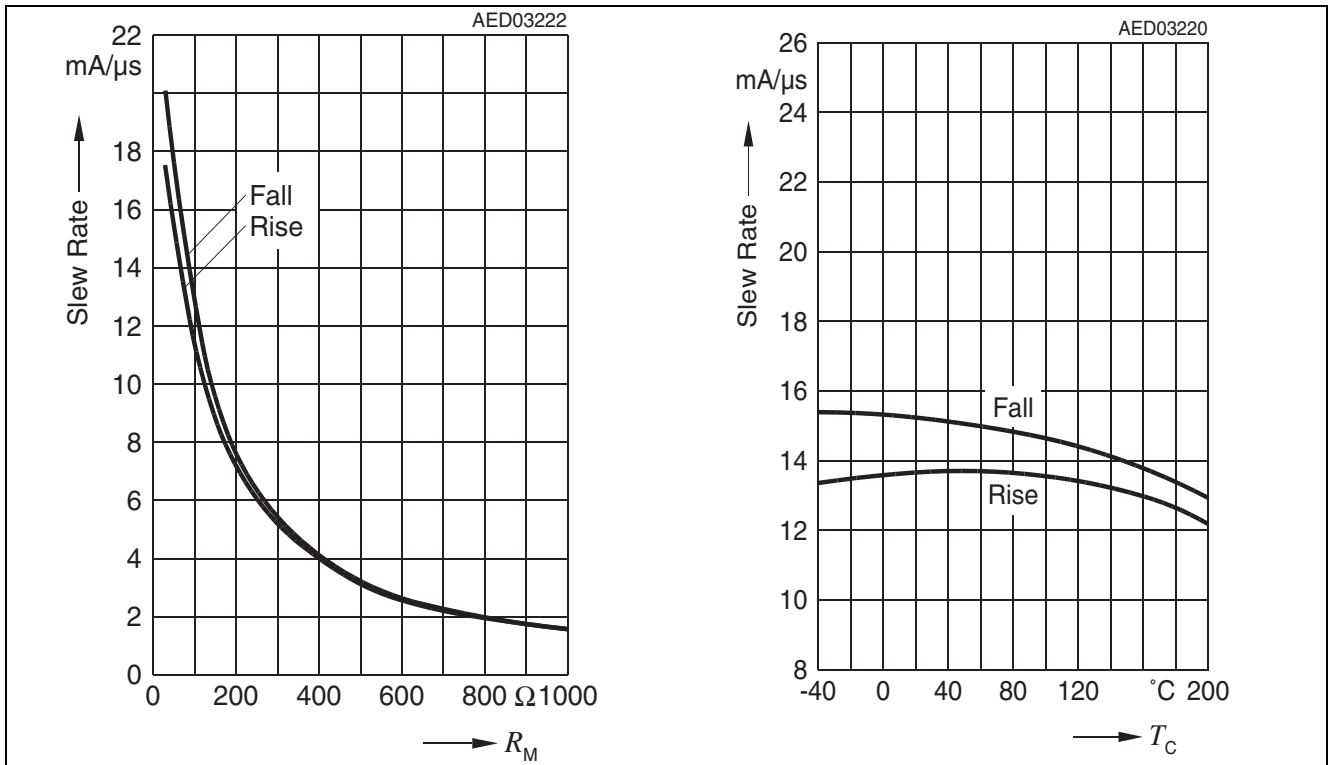


Figure 7 Slew Rate with  $C = 1.8 \text{ nF} = f(R_M)$  (left), Slew Rate with  $C = 1.8 \text{ nF}$ ,  $R_M = 75 \text{ } \Omega$  (right)

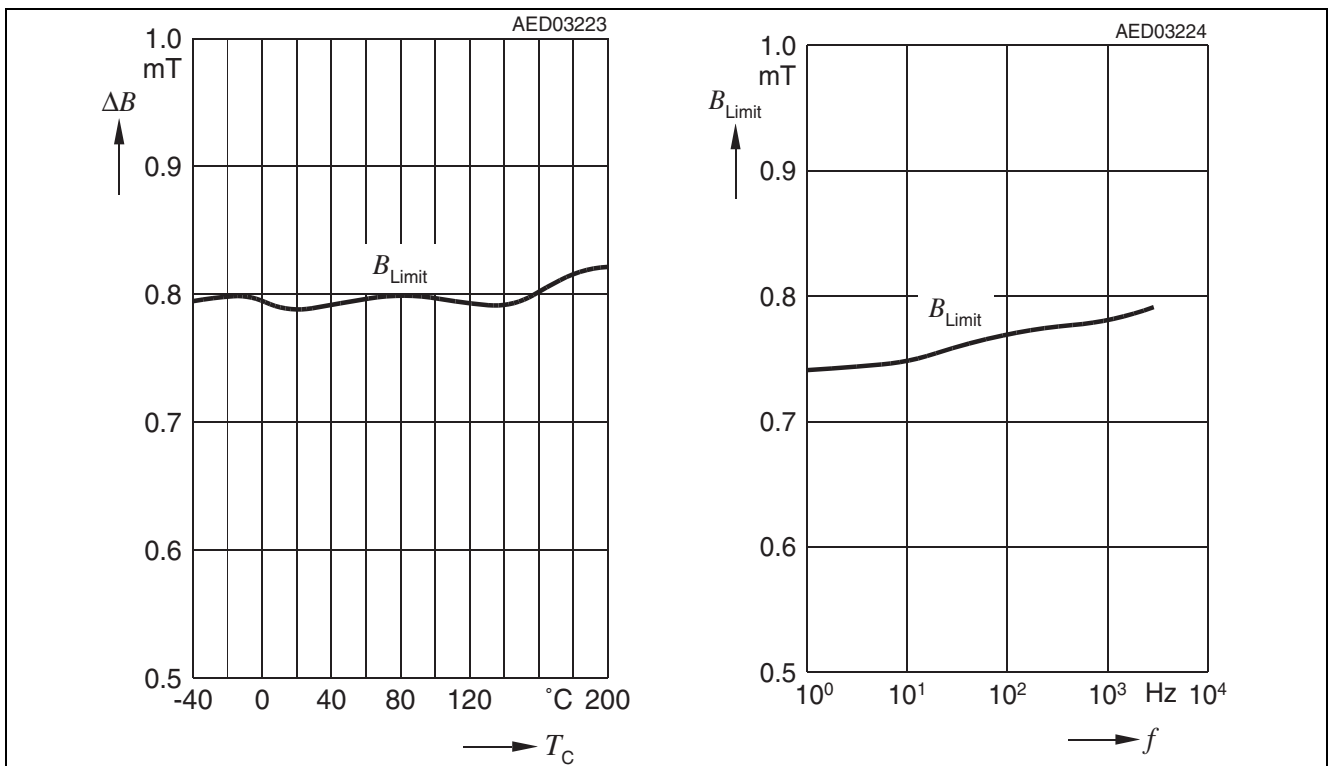


Figure 8 Magnetic Threshold  $\Delta B_{Limit} = f(T)$  at  $f = 1 \text{ kHz}$  (left), Magnetic Threshold  $\Delta B_{Limit} = f(f)$  (right)

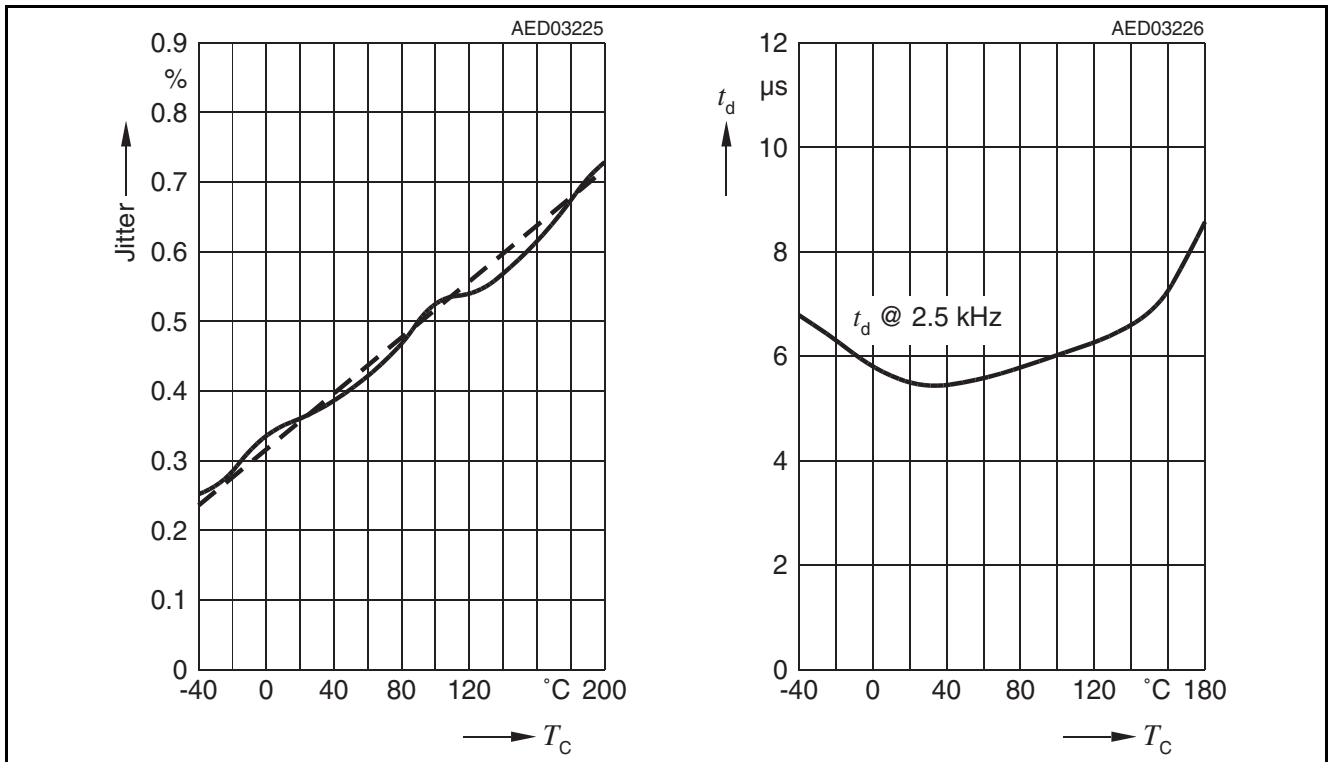


Figure 9 Jitter  $1\sigma$  at  $\Delta B = 2 \text{ mT}$  at 1 kHz (left), Delaytime  $t_d$  (right) <sup>1)</sup>

1)  $t_d$  is the time between the zero crossing of  $\Delta B = 2 \text{ mT}$  sinusoidal input signal and the rising edge (50%) of the signal current.



### 3.5 Electro Magnetic Compatibility (EMC)

**Table 5 Electro Magnetic Compatibility** (values depend on  $R_M$ !)

Ref. ISO 7637-1; test circuit 1;

 $\Delta B = 2 \text{ mT}$  (amplitude of sinus signal);  $V_{CC} = 13.5 \text{ V}$ ,  $f_B = 100 \text{ Hz}$ ;  $T = 25^\circ\text{C}$ ;  $R_M \geq 75 \Omega$ 

Parameter	Symbol	Level/Typ	Status
Testpulse 1	$V_{EMC}$	IV / – 100 V	C <sup>2)</sup>
Testpulse 2		IV / 100 V	C <sup>2)</sup>
Testpulse 3a		IV / – 150 V	A
Testpulse 3b		IV / 100 V	A
Testpulse 4		IV / – 7 V	B <sup>3)</sup>
Testpulse 5		IV / 86.5 V <sup>1)</sup>	C

*Note: Values are valid for all TLE4941C/42C types!*

Ref. ISO 7637-3; test circuit 1;

 $\Delta B = 2 \text{ mT}$  (amplitude of sinus signal);  $V_{CC} = 13.5 \text{ V}$ ,  $f_B = 100 \text{ Hz}$ ;  $T = 25^\circ\text{C}$ ;  $R_M \geq 75 \Omega$ 

Parameter	Symbol	Level/Typ	Status
Testpulse 1	$V_{EMC}$	IV / – 30 V	A
Testpulse 2		IV / 30 V	A
Testpulse 3a		IV / – 60 V	A
Testpulse 3b		IV / 40 V	A

*Note: Values are valid for all TLE4941C/42C types!*

Ref. ISO 11452-3; test circuit 1; measured in TEM-cell

 $\Delta B = 2 \text{ mT}$ ;  $V_{CC} = 13.5 \text{ V}$ ,  $f_B = 100 \text{ Hz}$ ;  $T = 25^\circ\text{C}$ 

Parameter	Symbol	Level/Typ	Remarks
EMC field strength	$E_{TEM-Cell}$	IV / 250 V/m	AM = 80%, $f = 1 \text{ kHz}$

*Note: Only valid for C-types!*

- 1) Applying in the board net a suppressor diode with sufficient energy absorption capability
- 2) According to 7637-1 the supply switched "OFF" for  $t = 200 \text{ ms}$
- 3) According to 7637-1 for test pulse 4 the test voltage shall be  $12 \text{ V} \pm 0.2 \text{ V}$ . Measured with  $R_M = 75 \Omega$  only. Mainly the current consumption will decrease. Status C with test circuit 1

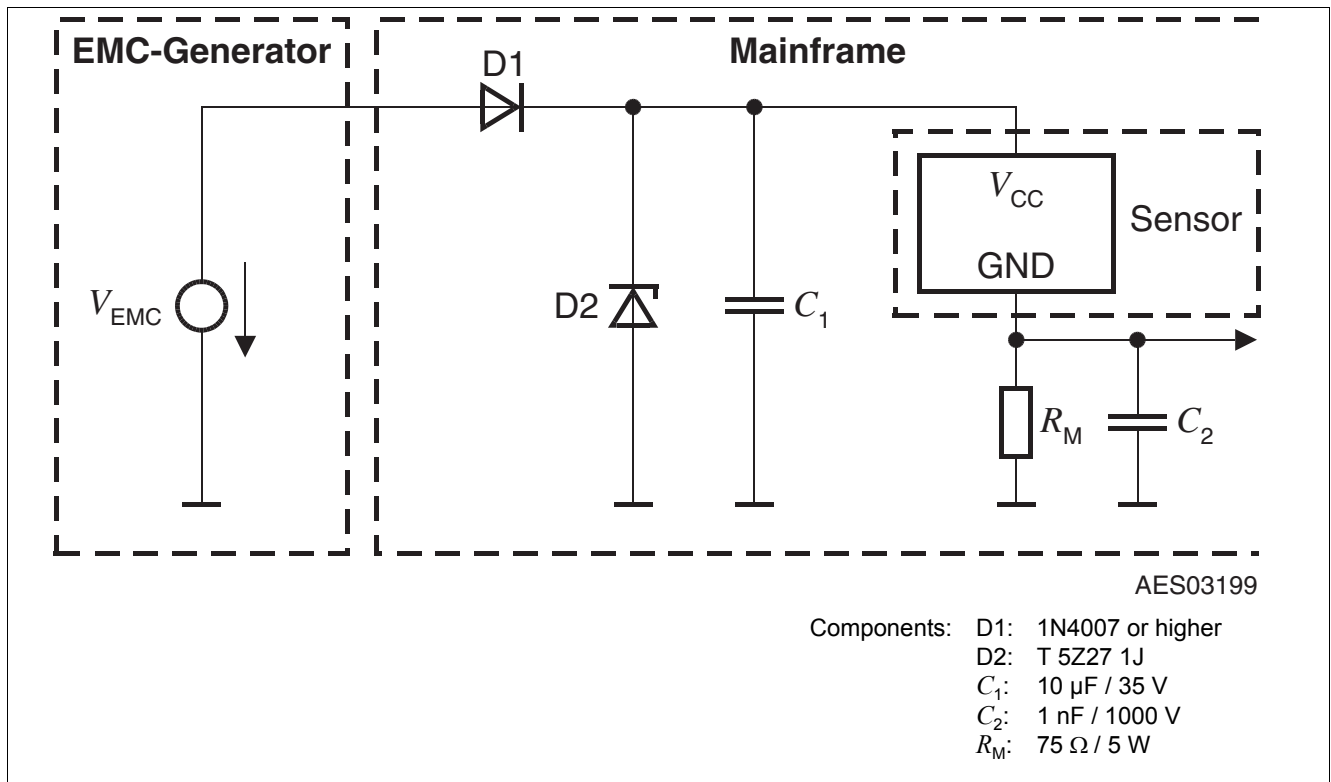


Figure 10 EMC Test Circuit 1

## 4 Package Information

Pure tin covering (green lead plating) is used. Leadframe material is Wieland K62 (UNS: C18090) and contains CuSn1CrNiTi. Product is RoHS (restriction of hazardous substances) compliant when marked with letter G in front or after the data code marking and may contain a data matrix code on the rear side of the package (see also information note 136/03). Please refer to your Key account team or regional sales if you need further information.

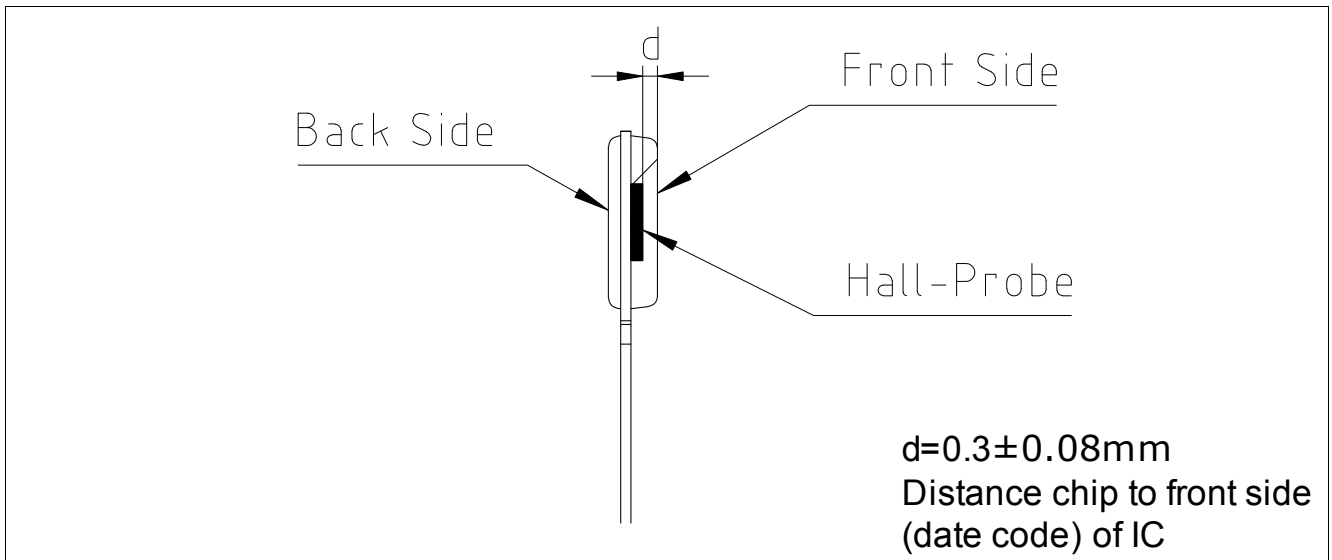
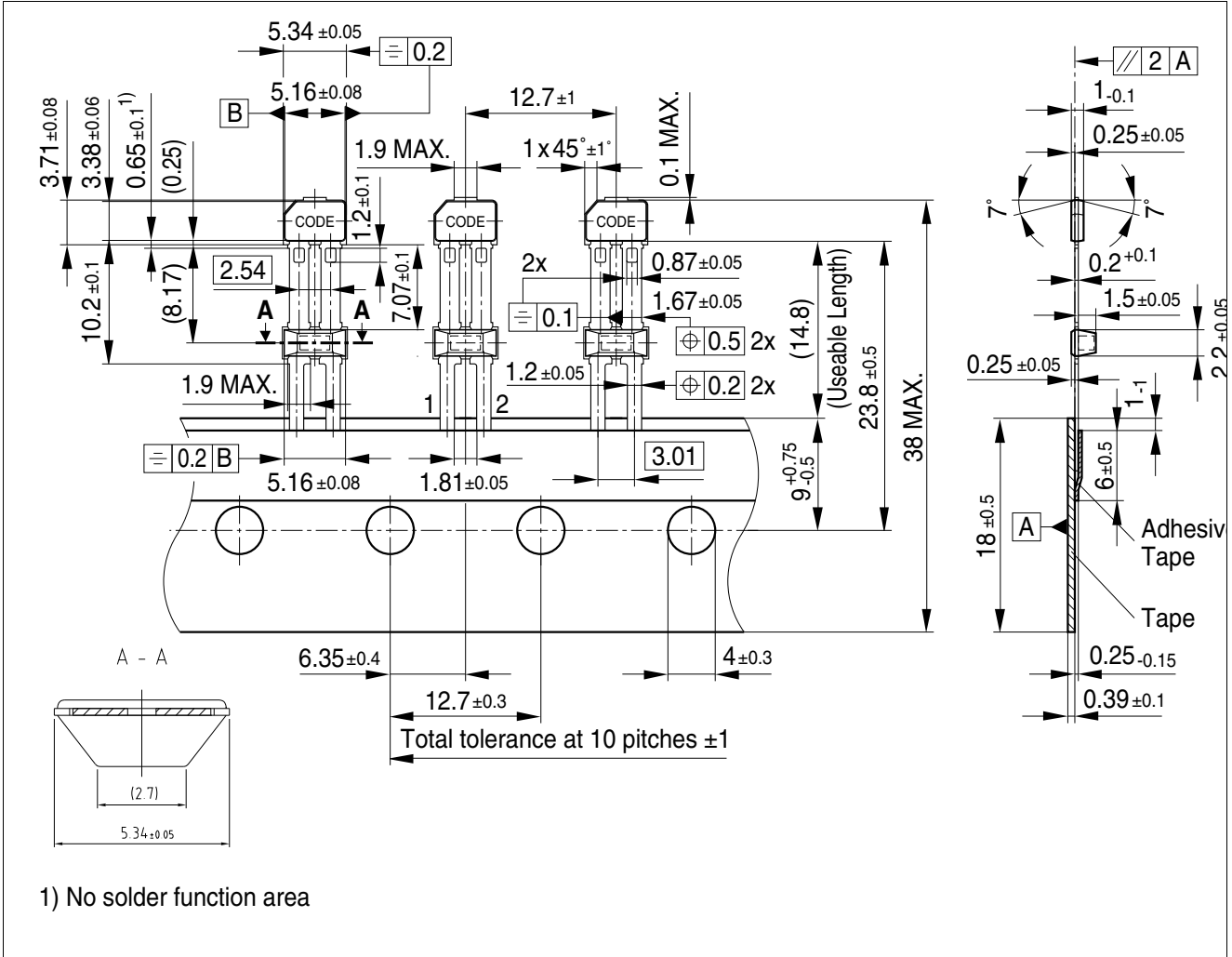


Figure 11 Distance Chip to Upper Side of IC

### 4.1 Package Outline



### 4.2 Packing

You can find all of our packages, sort of packing and others in our Infineon Internet Page

“Products”: <http://www.infineon.com/products>

[www.infineon.com](http://www.infineon.com)

## Данный компонент на территории Российской Федерации

### Вы можете приобрести в компании MosChip.

Для оперативного оформления запроса Вам необходимо перейти по данной ссылке:

<http://moschip.ru/get-element>

Вы можете разместить у нас заказ для любого Вашего проекта, будь то серийное производство или разработка единичного прибора.

В нашем ассортименте представлены ведущие мировые производители активных и пассивных электронных компонентов.

Нашей специализацией является поставка электронной компонентной базы двойного назначения, продукции таких производителей как XILINX, Intel (ex.ALTERA), Vicor, Microchip, Texas Instruments, Analog Devices, Mini-Circuits, Amphenol, Glenair.

Сотрудничество с глобальными дистрибьюторами электронных компонентов, предоставляет возможность заказывать и получать с международных складов практически любой перечень компонентов в оптимальные для Вас сроки.

На всех этапах разработки и производства наши партнеры могут получить квалифицированную поддержку опытных инженеров.

Система менеджмента качества компании отвечает требованиям в соответствии с ГОСТ Р ИСО 9001, ГОСТ РВ 0015-002 и ЭС РД 009

### Офис по работе с юридическими лицами:

105318, г.Москва, ул.Щербаковская д.3, офис 1107, 1118, ДЦ «Щербаковский»

Телефон: +7 495 668-12-70 (многоканальный)

Факс: +7 495 668-12-70 (доб.304)

E-mail: [info@moschip.ru](mailto:info@moschip.ru)

Skype отдела продаж:

moschip.ru

moschip.ru\_4

moschip.ru\_6

moschip.ru\_9