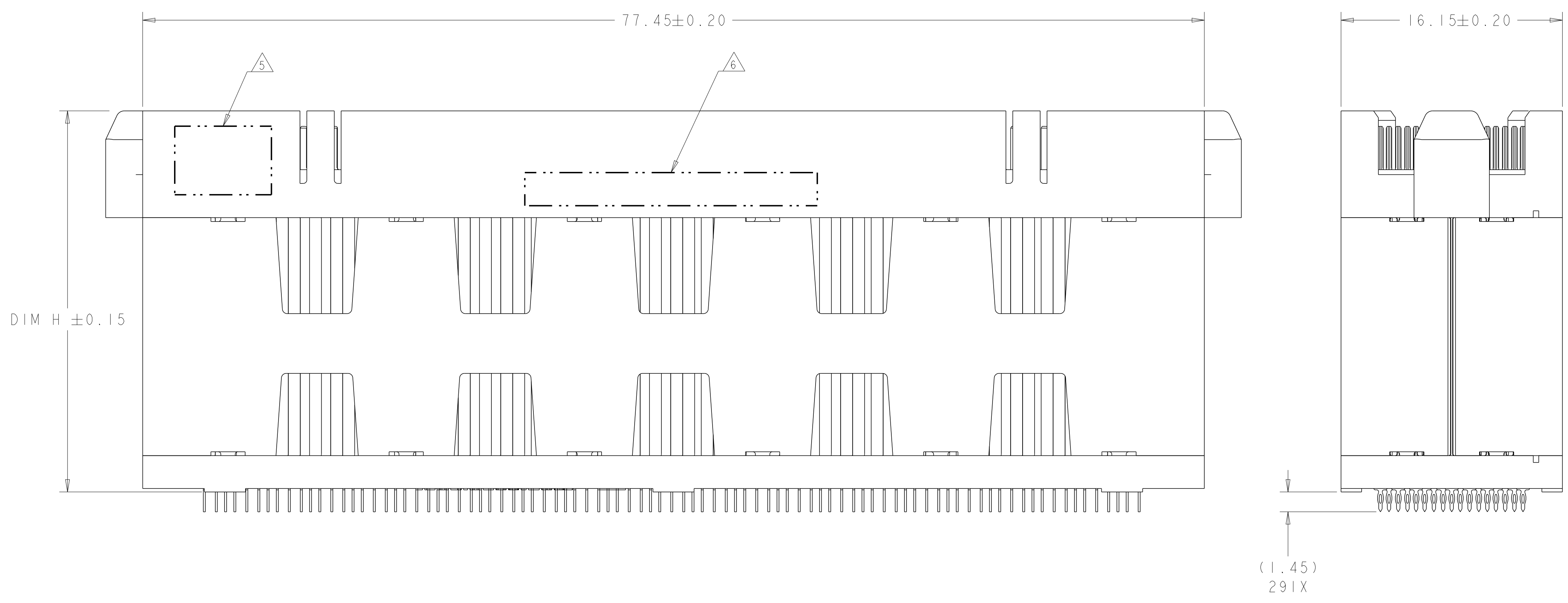
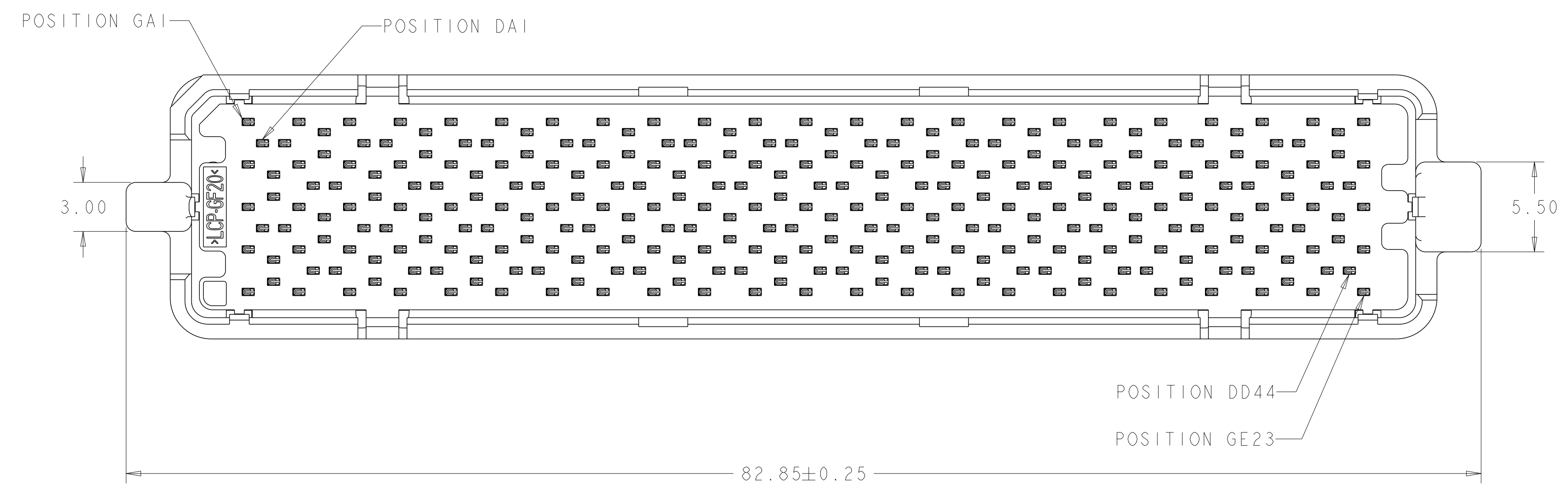


LOC		DIST		REVISIONS			
GP	00	P	LYR	DESCRIPTION	DATE	DWN	APVD
		A		REVISED PER ECO-12-018201	11OCT2012	KH	MH



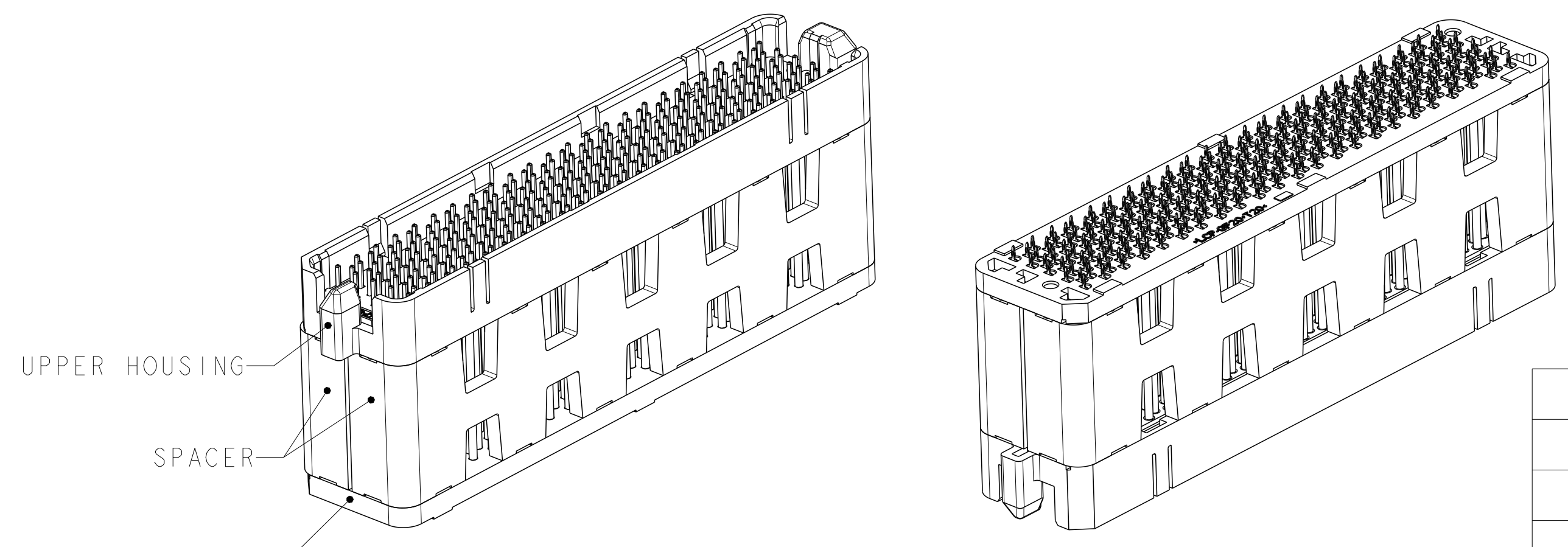
- 1 MATERIAL:  
 BASE HOUSING, UPPER HOUSING, ORGANIZER,  
 AND SPACER: THERMOPLASTIC, FLAMMABILITY RATING  
 UL94 V-0  
 CONTACT: COPPER ALLOY
- 2. CONFORMS TO THE REQUIREMENTS OF TE PRODUCT  
 SPECIFICATION, 108-2375; BASED ON TELCORDIA  
 GR-1217-CORE FOR SYSTEM QUALITY LEVEL III,  
 APPLICATIONS IN CONTROLLED ENVIRONMENTS  
 (CENTRAL OFFICE).  
 SEE TE PRODUCT SPECIFICATION 108-2375 FOR  
 TEST SEQUENCES.
- 3 ROWS GA THRU GE (SHOWN DARKENED) ARE TYPICALLY  
 USED AS GROUNDS.
- 4 SPECIFIED POSITIONAL TOLERANCE DEFINES HOLE TO  
 HOLE LOCATION WITHIN HOLE PATTERN. POSITIONAL  
 TOLERANCE OF HOLE PATTERN TO FIDUCIAL MARKS  
 OR PCB DATUMS SHALL BE DEFINED BY CUSTOMER.
- 5 AREA RESERVED FOR TE CONNECTIVITY LOGO.
- 6 AREA RESERVED FOR PART NUMBER (X-XXXXXXX-X) AND  
 DATE CODE (YYWW).
- 7 USE CENTERLINES INDICATED ON PCB HOLE PATTERN  
 TO ESTABLISH ALIGNMENT BETWEEN HEADER AND  
 RECEPTACLE BOARDS.
- 8 PLATED THROUGH HOLE REQUIREMENTS:  
 HOLE SIZE PRIOR TO PLATING =  $\varnothing 0.420 \pm 0.013$   
 COPPER PLATING THICKNESS =  $0.038 \pm 0.013$   
 CALCULATED FINISHED HOLE SIZE =  $\varnothing 0.344 \pm 0.039$   
 THESE DIMENSIONS APPLY TO THE TOP 1.25mm OF  
 THE PCB THICKNESS FROM THE CONNECTOR MOUNTING  
 SIDE.
- 9 CONTACT SALES FOR AVAILABILITY OF THIS STACK  
 HEIGHT.

**SIZE 3 HALF-WIDE W/GUIDE POSTS \***  
**88 DIFFERENTIAL PAIRS + GROUNDS**  
**291 TOTAL SIGNAL CONTACTS**

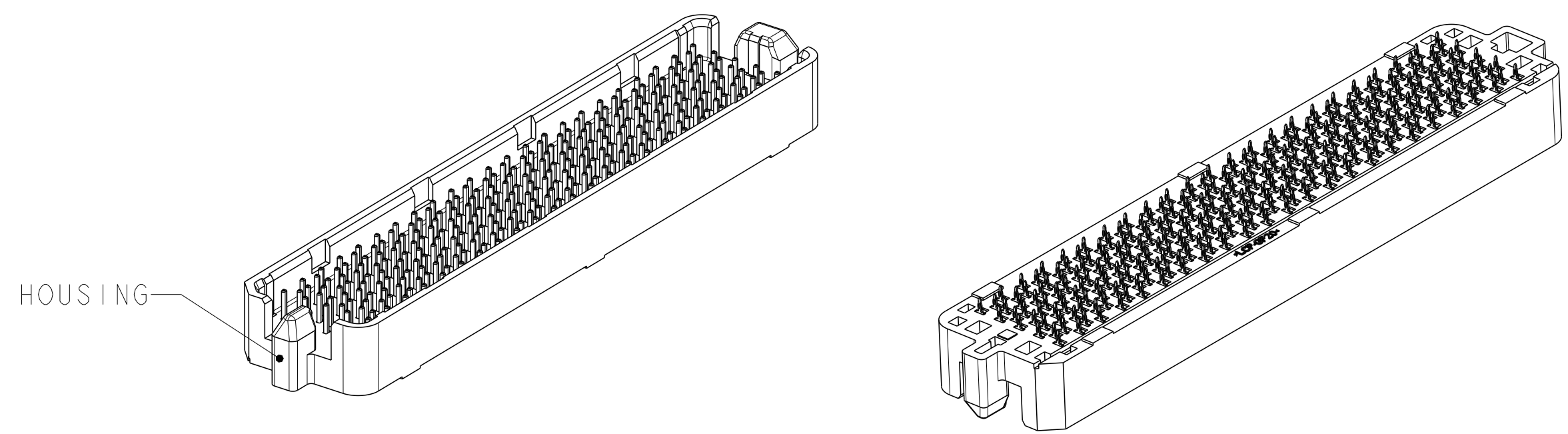
\* SIZE 1 AND SIZE 2 ARE ALSO AVAILABLE

THIS DRAWING IS A CONTROLLED DOCUMENT.		DWN HAMNER 01SEP2010	TE Connectivity
DIMENSIONS: mm		CHK D. TROUT 29SEP2010	
TOLERANCES UNLESS OTHERWISE SPECIFIED:		APVD J. FEEDER 29SEP2010	NAME
0 PLC ±	1 PLC ±	PRODUCT SPEC	HEADER ASSEMBLY,
2 PLC ±0.13	3 PLC ±0.013	APPLICATION SPEC	HALF-WIDE, 88/291,
4 PLC ±	ANGLES ±	114-13249	STRADA MESA MEZZANINE CONNECTOR
FINISH		WEIGHT	SIZE CAGE CODE DRAWING NO RESTRICTED TO
			A100779C=2149790
MATERIAL		CUSTOMER DRAWING	SCALE 5:1 SHEET 1 OF 4 REV A

LOC	DIST	REVISIONS					
GP	00	P	LYR	DESCRIPTION	DATE	OWN	APVD
		-		SEE SHEET 1			



ISOMETRIC VIEWS  
 TYPICAL CONFIGURATION FOR 14mm THRU 42mm  
 28mm SHOWN  
 SCALE 2:1



ISOMETRIC VIEWS  
 TYPICAL CONFIGURATION FOR 8mm THRU 13mm  
 8mm SHOWN  
 SCALE 2:1

△	41.8	42mm	MATTE Sn	9-2149790-2
△	40.8	41mm	MATTE Sn	9-2149790-1
△	39.8	40mm	MATTE Sn	9-2149790-0
△	38.8	39mm	MATTE Sn	8-2149790-9
△	37.8	38mm	MATTE Sn	8-2149790-8
△	36.8	37mm	MATTE Sn	8-2149790-7
△	35.8	36mm	MATTE Sn	8-2149790-6
YES	34.8	35mm	MATTE Sn	8-2149790-5
△	33.8	34mm	MATTE Sn	8-2149790-4
△	32.8	33mm	MATTE Sn	8-2149790-3
△	31.8	32mm	MATTE Sn	8-2149790-2
△	30.8	31mm	MATTE Sn	8-2149790-1
△	29.8	30mm	MATTE Sn	8-2149790-0
△	28.8	29mm	MATTE Sn	7-2149790-9
YES	27.8	28mm	MATTE Sn	7-2149790-8
△	26.8	27mm	MATTE Sn	7-2149790-7
△	25.8	26mm	MATTE Sn	7-2149790-6
YES	24.8	25mm	MATTE Sn	7-2149790-5
△	23.8	24mm	MATTE Sn	7-2149790-4
△	22.8	23mm	MATTE Sn	7-2149790-3
△	21.8	22mm	MATTE Sn	7-2149790-2
△	20.8	21mm	MATTE Sn	7-2149790-1
△	19.8	20mm	MATTE Sn	7-2149790-0
△	18.8	19mm	MATTE Sn	6-2149790-9
△	17.8	18mm	MATTE Sn	6-2149790-8
△	16.8	17mm	MATTE Sn	6-2149790-7
△	15.8	16mm	MATTE Sn	6-2149790-6
△	14.8	15mm	MATTE Sn	6-2149790-5
△	13.8	14mm	MATTE Sn	6-2149790-4
△	12.8	13mm	MATTE Sn	6-2149790-3
△	11.8	12mm	MATTE Sn	6-2149790-2
△	10.8	11mm	MATTE Sn	6-2149790-1
△	9.8	10mm	MATTE Sn	6-2149790-0
△	8.8	9mm	MATTE Sn	5-2149790-9
△	7.8	8mm	MATTE Sn	5-2149790-8
TOOLED	DIM H	STACK HEIGHT	CONTACT TAIL PLATING	PART NUMBER

△	41.8	42mm	Sn/Pb	4-2149790-2
△	40.8	41mm	Sn/Pb	4-2149790-1
△	39.8	40mm	Sn/Pb	4-2149790-0
△	38.8	39mm	Sn/Pb	3-2149790-9
△	37.8	38mm	Sn/Pb	3-2149790-8
△	36.8	37mm	Sn/Pb	3-2149790-7
△	35.8	36mm	Sn/Pb	3-2149790-6
YES	34.8	35mm	Sn/Pb	3-2149790-5
△	33.8	34mm	Sn/Pb	3-2149790-4
△	32.8	33mm	Sn/Pb	3-2149790-3
△	31.8	32mm	Sn/Pb	3-2149790-2
△	30.8	31mm	Sn/Pb	3-2149790-1
△	29.8	30mm	Sn/Pb	3-2149790-0
△	28.8	29mm	Sn/Pb	2-2149790-9
YES	27.8	28mm	Sn/Pb	2-2149790-8
△	26.8	27mm	Sn/Pb	2-2149790-7
△	25.8	26mm	Sn/Pb	2-2149790-6
YES	24.8	25mm	Sn/Pb	2-2149790-5
△	23.8	24mm	Sn/Pb	2-2149790-4
△	22.8	23mm	Sn/Pb	2-2149790-3
△	21.8	22mm	Sn/Pb	2-2149790-2
△	20.8	21mm	Sn/Pb	2-2149790-1
△	19.8	20mm	Sn/Pb	2-2149790-0
△	18.8	19mm	Sn/Pb	1-2149790-9
△	17.8	18mm	Sn/Pb	1-2149790-8
△	16.8	17mm	Sn/Pb	1-2149790-7
△	15.8	16mm	Sn/Pb	1-2149790-6
△	14.8	15mm	Sn/Pb	1-2149790-5
△	13.8	14mm	Sn/Pb	1-2149790-4
△	12.8	13mm	Sn/Pb	1-2149790-3
△	11.8	12mm	Sn/Pb	1-2149790-2
△	10.8	11mm	Sn/Pb	1-2149790-1
△	9.8	10mm	Sn/Pb	1-2149790-0
△	8.8	9mm	Sn/Pb	2149790-9
△	7.8	8mm	Sn/Pb	2149790-8
TOOLED	DIM H	STACK HEIGHT	CONTACT TAIL PLATING	PART NUMBER

THIS DRAWING IS A CONTROLLED DOCUMENT.

OWN: HAMNER 01SEP2010  
 CHK: D. TROUT 29SEP2010  
 APVD: J. FEDDER 29SEP2010

STE TE Connectivity

NAME: HEADER ASSEMBLY, HALF-WIDE, 88/291, STRADA MESA MEZZANINE CONNECTOR

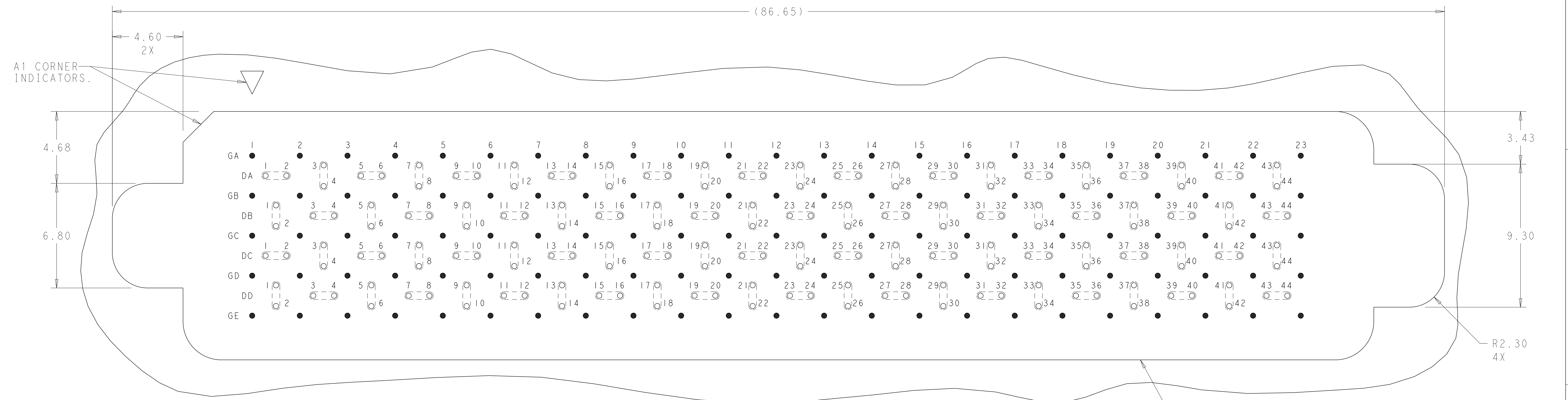
PRODUCT SPEC: 108-2375  
 APPLICATION SPEC: 114-13249

SIZE: A1 CAGE CODE: 00779 DRAWING NO: 2149790

RESTRICTED TO: A

CUSTOMER DRAWING SCALE: 5:1 SHEET 2 OF 4 REV A

LOC	DIST	REVISIONS			
P	LTN	DESCRIPTION	DATE	DWN	APVD
-	-	SEE SHEET 1	-	-	-

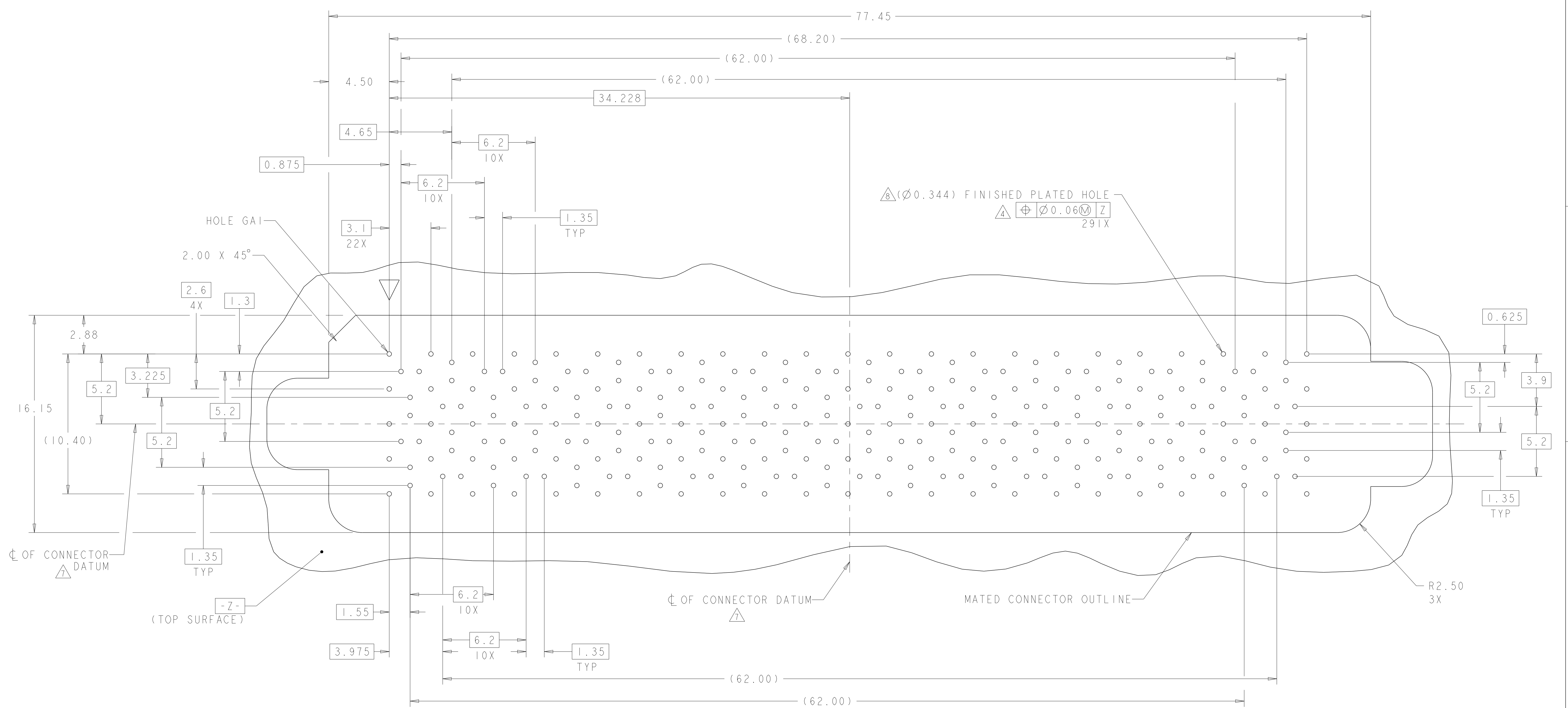


**PCB LAYOUT AND PIN IDENTIFICATION**

SHOWN FROM CONNECTOR SIDE  
SCALE 8:1

THIS DRAWING IS A CONTROLLED DOCUMENT.		DWN HAMNER 01SEP2010		TE Connectivity	
DIMENSIONS: mm		CHK D. TROUT 29SEP2010		NAME: HEADER ASSEMBLY, HALF-WIDE, 88/291, STRADA MESA MEZZANINE CONNECTOR	
TOLERANCES UNLESS OTHERWISE SPECIFIED:		APVD J. FEDDER 29SEP2010	PRODUCT SPEC: 108-2375		
0 PLC ±		APPLICATION SPEC: 114-13249	SIZE: A100779 C=2149790		
1 PLC ±0.13		WEIGHT: -	RESTRICTED TO: -		
2 PLC ±0.013		CUSTOMER DRAWING	SCALE 5:1 SHEET 3 OF 4 REV A		
3 PLC ±					
4 PLC ±					
ANGLES ±1					
FINISH					

LOC	DIST	REVISIONS			
P	LTN	DESCRIPTION	DATE	OWN	APVD
-	-	SEE SHEET 1	-	-	-



**PCB HOLE PATTERN**  
 SHOWN FROM CONNECTOR SIDE  
 SCALE 7:1

THIS DRAWING IS A CONTROLLED DOCUMENT.		OWN: HAMNER 01SEP2010	TE Connectivity
DIMENSIONS: mm		CHK: D. TROUT 29SEP2010	
TOLERANCES UNLESS OTHERWISE SPECIFIED:		APVD: J. FEDDER 29SEP2010	NAME: HEADER ASSEMBLY, HALF-WIDE, 88/291, STRADA MESA MEZZANINE CONNECTOR
0 PLC ±	1 PLC ±	PRODUCT SPEC	SIZE: A1
2 PLC ±0.13	3 PLC ±0.013	APPLICATION SPEC	CAGE CODE: 108-2375
4 PLC ±	ANGLES ±1	FINISH	DRAWING NO: 114-13249
MATERIAL: -	WEIGHT: -	CUSTOMER DRAWING	SCALE: 5:1
CUSTOMER DRAWING			SHEET 4 OF 4 REV A

## Данный компонент на территории Российской Федерации

### Вы можете приобрести в компании MosChip.

Для оперативного оформления запроса Вам необходимо перейти по данной ссылке:

<http://moschip.ru/get-element>

Вы можете разместить у нас заказ для любого Вашего проекта, будь то серийное производство или разработка единичного прибора.

В нашем ассортименте представлены ведущие мировые производители активных и пассивных электронных компонентов.

Нашей специализацией является поставка электронной компонентной базы двойного назначения, продукции таких производителей как XILINX, Intel (ex.ALTERA), Vicor, Microchip, Texas Instruments, Analog Devices, Mini-Circuits, Amphenol, Glenair.

Сотрудничество с глобальными дистрибьюторами электронных компонентов, предоставляет возможность заказывать и получать с международных складов практически любой перечень компонентов в оптимальные для Вас сроки.

На всех этапах разработки и производства наши партнеры могут получить квалифицированную поддержку опытных инженеров.

Система менеджмента качества компании отвечает требованиям в соответствии с ГОСТ Р ИСО 9001, ГОСТ РВ 0015-002 и ЭС РД 009

### Офис по работе с юридическими лицами:

105318, г.Москва, ул.Щербаковская д.3, офис 1107, 1118, ДЦ «Щербаковский»

Телефон: +7 495 668-12-70 (многоканальный)

Факс: +7 495 668-12-70 (доб.304)

E-mail: [info@moschip.ru](mailto:info@moschip.ru)

Skype отдела продаж:

moschip.ru

moschip.ru\_4

moschip.ru\_6

moschip.ru\_9