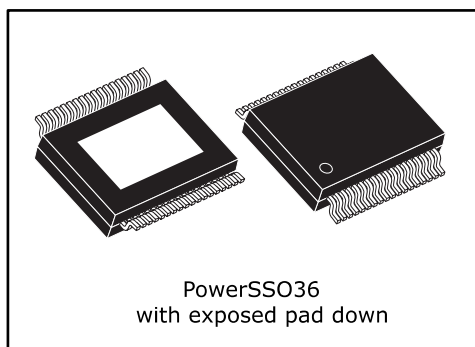


45 W + 45 W dual BTL class-D audio amplifier

Datasheet - production data



Features

- Wide-range single-supply operation (7 - 26 V)
- Possible output configurations:
 - 2 x PBTL
 - 1 x Parallel BTL
- BTL output capabilities ($V_{CC} = 22\text{ V}$):
 - 44 W + 44 W, 4 Ω , THD 1%
 - 57 W + 57 W, 4 Ω , THD 10%
 - 32 W + 32 W, 6 Ω , THD 1%
 - 41 W + 41 W, 6 Ω , THD 10%
 - 25 W + 25 W, 8 Ω , THD 1%
 - 32 W + 32 W, 8 Ω , THD 10%
- Parallel BTL output capabilities ($V_{CC} = 22\text{ V}$):
 - 70 W, 3 Ω , THD 1%
 - 90 W, 3 Ω , THD 10%
- High efficiency

- Four selectable, fixed-gain settings of nominally 20.8 dB, 26.8 dB, 30 dB and 32.8 dB
- Differential inputs minimize common-mode noise
- Standby, mute and play operating modes
- Short-circuit protection
- Output power limited by P_{LIMIT} function
- Detection of shorted output pins during startup
- Thermal overload protection
- ECOPACK® environmentally friendly package

Description

The TDA7492PE is a dual BTL class-D audio amplifier with single power supply designed for home audio applications.

The device is housed in a 36-pin PowerSSO package with exposed pad down (EPD) to facilitate power dissipation through a properly designed PCB area underneath the TDA7492PE.

Table 1: Device summary

Order code	Operating temp. range	Package	Packaging
TDA7492PE	-40 to +85°C	PowerSSO-36 EPD	Tube
TDA7492PETR			Tape and reel

Contents

1 Device block diagram..... 5

2 Pin description 6

 2.1 Pinout..... 6

 2.2 Pin list 7

3 Electrical specifications..... 8

 3.1 Absolute maximum ratings..... 8

 3.2 Thermal data..... 8

 3.3 Electrical specifications 9

 3.4 Stereo BTL application..... 10

 3.5 Parallel BTL (mono) application 10

4 Application information 11

 4.1 Gain setting..... 11

 4.2 Stereo and mono applications..... 11

 4.3 Smart protections 11

 4.3.1 Overcurrent protection (OCP) 11

 4.3.2 Thermal protection..... 12

 4.3.3 Power limit 12

 4.4 Mode selection 13

5 Schematic diagram..... 15

6 Characterization curves 17

7 Package information 19

 7.1 PowerSSO36 EPD package information 19

8 Revision history 22

List of tables

Table 1: Device summary	1
Table 2: Pin description list	7
Table 3: Absolute maximum ratings	8
Table 4: Thermal data	8
Table 5: Electrical specifications	9
Table 6: Stereo BTL application	10
Table 7: Stereo BTL (mono) application	10
Table 8: Gain settings	11
Table 9: Overcurrent protection	11
Table 10: Overcurrent protection (mute mode)	12
Table 11: Max effective voltage of PLIMIT pin vs. power supply and load	13
Table 12: Mode settings	13
Table 13: BTL configuration	16
Table 14: PowerSSO-36 EPD package mechanical data	21
Table 15: Document revision history	22

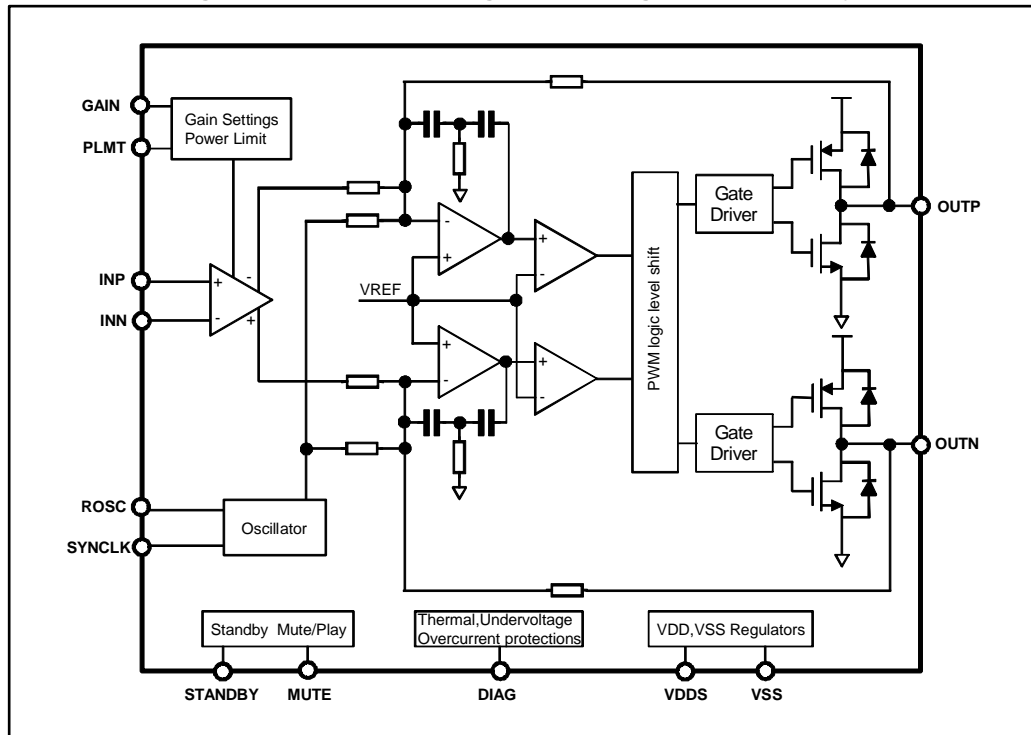
List of figures

Figure 1: Internal block diagram (showing one channel only)	5
Figure 2: Pin connections (top view, PCB view)	6
Figure 3: Mono BTL settings.....	11
Figure 4: Recommended power limit pin connections.....	12
Figure 5: Standby and mute circuits	14
Figure 6: Turn-on/off sequence for minimizing speaker "pop".....	14
Figure 7: Application circuit.....	15
Figure 8: Output power vs. supply voltage	17
Figure 9: Efficiency vs. output power	17
Figure 10: THD vs. output power (f = 1 kHz)	17
Figure 11: THD vs. output power (100 Hz)	17
Figure 12: THD vs. frequency	17
Figure 13: Frequency response.....	17
Figure 14: FFT (0 dB)	18
Figure 15: FFT (-60 dB)	18
Figure 16: PSRR parameter	18
Figure 17: PowerSSO-36 EPD package outline.....	20

1 Device block diagram

Figure 1: "Internal block diagram (showing one channel only)" shows the block diagram of one of the two identical channels of the TDA7492PE.

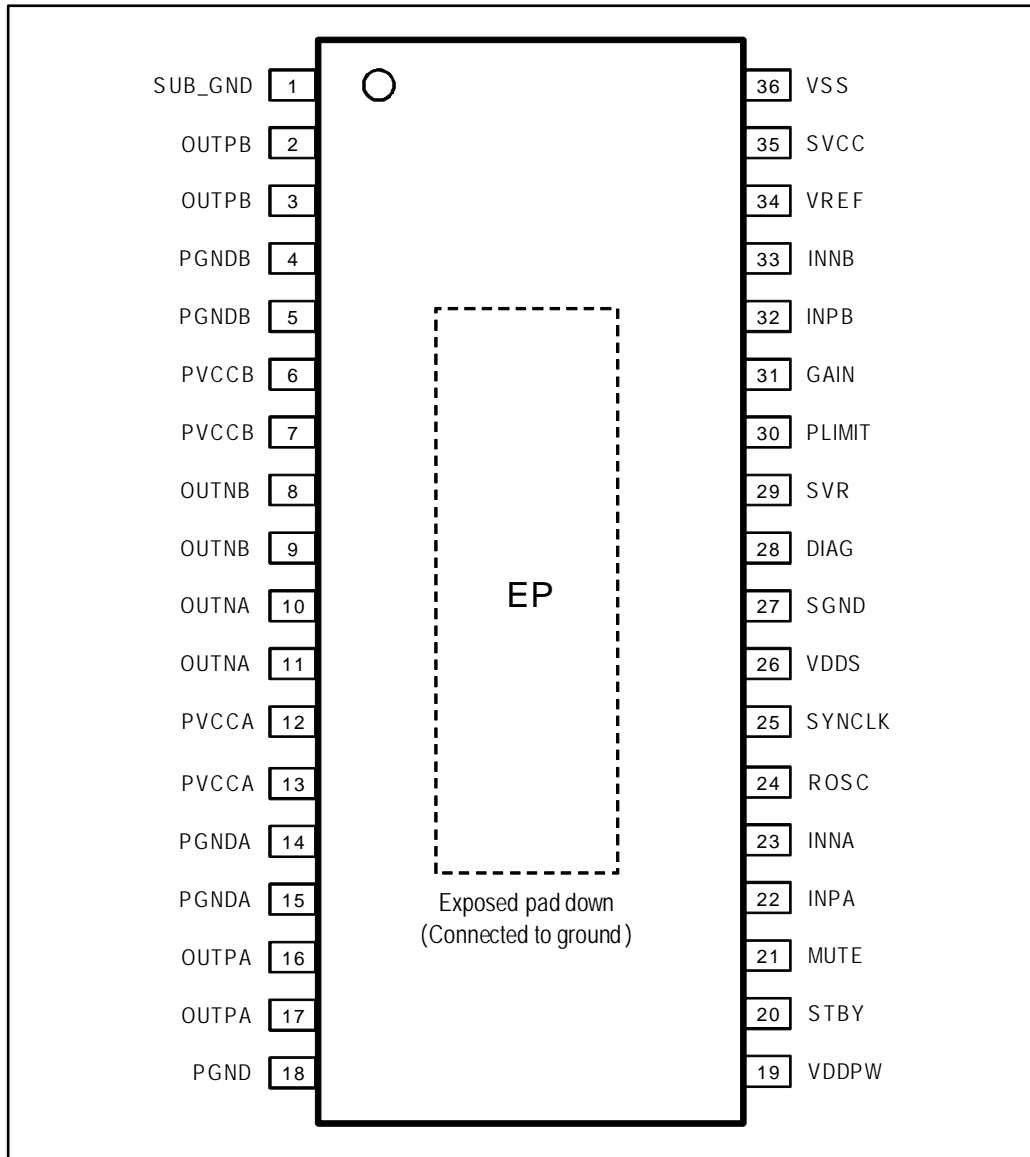
Figure 1: Internal block diagram (showing one channel only)



2 Pin description

2.1 Pinout

Figure 2: Pin connections (top view, PCB view)



2.2 Pin list

Table 2: Pin description list

Number	Name	Type	Description
1	SUB_GND	PWR	Connect to the frame
2, 3	OUTPB	O	Positive PWM for right channel
4, 5	PGNDB	PWR	Power stage ground for right channel
6, 7	PVCCB	PWR	Power supply for right channel
8, 9	OUTNB	O	Negative PWM output for right channel
10, 11	OUTNA	O	Negative PWM output for left channel
12, 13	PVCCA	PWR	Power supply for left channel
14, 15	PGNDA	PWR	Power stage ground for left channel
16, 17	OUTPA	O	Positive PWM output for left channel
18	PGND	PWR	Power stage ground
19	VDDPW	O	3.3 V (nominal) regulator output referred to ground for power stage
20	STBY	I	Standby mode control
21	MUTE	I	Mute mode control
22	INPA	I	Positive differential input of left channel
23	INNA	I	Negative differential input of left channel
24	ROSC	O	Master oscillator frequency-setting pin
25	SYNCLK	I/O	Clock in/out for external oscillator
26	VDDS	O	3.3 V (nominal) regulator output referred to ground for signal blocks
27	SGND	PWR	Signal ground
28	DIAG	O	Open-drain diagnostic output
29	SVR	O	Supply voltage rejection
30	PLIMIT	I	Output voltage level setting
31	GAIN	I	Gain setting input
32	INPB	I	Positive differential input of right channel
33	INNB	I	Negative differential input of right channel
34	VREF	O	Half VDDS (nominal) referred to ground
35	SVCC	PWR	Signal power supply
36	VSS	O	3.3 V (nominal) regulator output referred to power supply
-	EP	-	Exposed pad for heatsink, to be connected to GND

3 Electrical specifications

3.1 Absolute maximum ratings

Table 3: Absolute maximum ratings

Symbol	Parameter	Value	Unit
V _{CC}	DC supply voltage for pins PVCCA, PVCCB, SVCC	30	V
V _I	Voltage limits for input pins STBY, MUTE, INNA, INPA, INN, INPB, GAIN, MODE	-0.3 to +4.6	V
T _j	Operating junction temperature	-40 to +150	°C
T _{op}	Operating ambient temperature	-40 to +85	°C
T _{stg}	Storage temperature	-40 to +150	°C

3.2 Thermal data

Table 4: Thermal data

Symbol	Parameter	Min.	Typ.	Max.	Unit
R _{th j-case}	Thermal resistance, junction-to-case	-	2.98		°C/W
R _{th j-amb}	Thermal resistance, junction-to-ambient		24		°C/W

3.3 Electrical specifications

Unless otherwise stated, the results in below are given for the conditions: $V_{CC} = 22\text{ V}$, $R_L = 6\ \Omega$, $R_{OSC} = R_3 = 33\text{ k}\Omega$, $f = 1\text{ kHz}$, $G_V = 20.8\text{ dB}$ and $T_{amb} = 25\text{ }^\circ\text{C}$.

Table 5: Electrical specifications

Symbol	Parameter	Condition	Min.	Typ.	Max.	Unit
V_{CC}	Supply voltage for pins PVCCA, PVCCB, SVCC	-	7	-	26	V
I_q	Total quiescent current	No LC filter, no load	-	40		mA
I_{qSTBY}	Quiescent current in standby	-	-	1	-	μA
V_{OS}	Output offset voltage	$V_i = 0$, no load		20		mV
I_{OCP}	Overcurrent protection threshold to switch off the device		9	10	13	A
T_j	Junction temperature at thermal shutdown	-	140	150	160	$^\circ\text{C}$
R_i	Input resistance	Differential input		60	-	k Ω
R_{dsON}	Power transistor on-resistance	High side	-	0.2	-	Ω
		Low side	-	0.2	-	
G_V	Closed-loop gain	$GAIN < 0.25 \cdot V_{dd}$		20.8	-	dB
		$0.25 \cdot V_{dd} < GAIN < 0.5 \cdot V_{dd}$	-	26.8	-	
		$0.5 \cdot V_{dd} < GAIN < 0.75 \cdot V_{dd}$	-	30	-	
		$GAIN1 > 0.75 \cdot V_{dd}$	-	32.8	-	
ΔG_V	Gain matching	-		-	± 1	dB
CT	Cross talk	$f = 1\text{ kHz}$, $P_O = 1\text{ W}$		70	-	dB
SVRR	Supply voltage rejection ratio	$f_r = 100\text{ Hz}$, $V_r = 0.5\text{ V}_{pp}$, $C_{SVR} = 10\ \mu\text{F}$	-	60	-	dB
T_r, T_f	Rise and fall times	-	-	24	40	ns
f_{sw}	Switching frequency	Internal oscillator		500		kHz
f_{swR}	Output switching frequency range	With internal oscillator by changing $R_{osc}^{(1)}$	450	-	550	kHz
V_{inH}	Digital input high (H)	-	2.0	-	-	V
V_{inL}	Digital input low (L)		-	-	0.8	
Function mode	Standby, Mute, Play	STBY < 0.5 V Mute = X	Standby			
		STBY > 2.5 V Mute < 0.8 V	Mute			
		STBY > 2.5 V Mute > 2.5 V	Play			
AMUTE	Mute attenuation	$V_{MUTE} = 1\text{ V}$	60	80	-	dB

Notes:

⁽¹⁾ $f_{sw} = 10^6 / [(R_{osc} \cdot 12 + 110) \cdot 4]\text{ kHz}$, $f_{SYNCLK} = 2 \cdot f_{sw}$ (where R_{osc} is in k Ω . and f_{sw} in kHz) with $R_{osc} = 33\text{ k}\Omega$.

3.4 Stereo BTL application

All specifications are for $V_{CC} = 22\text{ V}$, $R_{osc} = 33\text{ k}\Omega$, $f = 1\text{ kHz}$, $T_{amb} = 25\text{ }^\circ\text{C}$, unless otherwise specified.

Table 6: Stereo BTL application

Symbol	Parameter	Condition	Min.	Typ.	Max.	Unit
P_o	Output power	$R_L = 6\ \Omega$, THD = 10%	-	41	-	W
		$R_L = 6\ \Omega$, THD = 1%	-	32	-	
		$R_L = 6\ \Omega$, THD = 10%, $V_{CC} = 18\text{ V}$	-	27	-	
		$R_L = 6\ \Omega$, THD = 1%, $V_{CC} = 18\text{ V}$	-	21	-	
THD	Total harmonic distortion	$P_o = 1\text{ W}$, $f_{in} = 1\text{ kHz}$	-	0.04	-	%
VN	Total output noise	Inputs shorted and connected to GND, A Curve, $G_V = 20.8\text{ dB}$	-	150	-	μV

3.5 Parallel BTL (mono) application

All specifications are for $V_{CC} = 22\text{ V}$, $R_{osc} = 33\text{ k}\Omega$, $f = 1\text{ kHz}$, $T_{amb} = 25\text{ }^\circ\text{C}$, INPB, INN B connected to VDDS, unless otherwise specified.

Table 7: Stereo BTL (mono) application

Symbol	Parameter	Condition	Min.	Typ.	Max.	Unit
P_o	Output power	$R_L = 3\ \Omega$, THD = 10%	-	90	-	W
		$R_L = 3\ \Omega$, THD = 1%	-	70	-	
		$R_L = 3\ \Omega$, THD = 10%, $V_{CC} = 18\text{ V}$	-	53	-	
		$R_L = 3\ \Omega$, THD = 1%, $V_{CC} = 18\text{ V}$	-	41	-	
THD	Total harmonic distortion	$P_o = 1\text{ W}$, $f_{in} = 1\text{ kHz}$	-	0.04	-	%
VN	Total output noise	Inputs shorted and connected to GND, A Curve, $G_V = 20.8\text{ dB}$	-	150	-	μV

4 Application information

4.1 Gain setting

The four gain settings of the TDA7492PE are set by GAIN (pin 31). Internally, gain is set by changing the feedback resistors of the amplifier. The gain setting pins can be controlled by standard logic drivers.

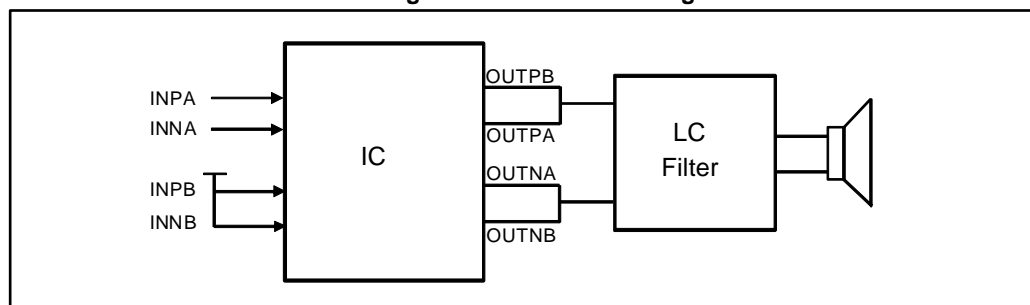
Table 8: Gain settings

Voltage on GAIN pin	Total gain	Application recommendations
$V_{GAIN} < 0.25 \cdot V_{DD5}$	20.8 dB	GAIN pin connected to SGND
$0.25 \cdot V_{DD5} < V_{GAIN} < 0.5 \cdot V_{DD5}$	26.8 dB	External resistor divider < 100 k
$0.5 \cdot V_{DD5} < V_{GAIN} < 0.75 \cdot V_{DD5}$	30 dB	External resistor divider < 100 k
$V_{GAIN} > 0.75 \cdot V_{DD5}$	32.8 dB	GAIN pin connected to VDD5

4.2 Stereo and mono applications

The TDA7492PE can be used in stereo BTL or in mono BTL configuration. When the input pins, INPB and INNB of the right channel are directly shorted to VDD5 (without input capacitors) the device is in mono configuration as shown in [Figure 3: "Mono BTL settings"](#).

Figure 3: Mono BTL settings



4.3 Smart protections

4.3.1 Overcurrent protection (OCP)

If the overcurrent protection threshold is reached, the power stage will be shut down immediately. The device will recover automatically when the fault is removed.

Table 9: Overcurrent protection

	I (Shutdown)
High side (A)	11.2
Low side (A)	10.0

The thresholds in mute mode are reduced to about 1/2 and two typical thresholds are as follows.

Table 10: Overcurrent protection (mute mode)

	I (Shutdown)
High side (A)	6.2
Low side (A)	5.9

4.3.2 Thermal protection

When internal die temperature exceeds 140 °C, the device enters into Mute by pulling the MUTE pin low first.

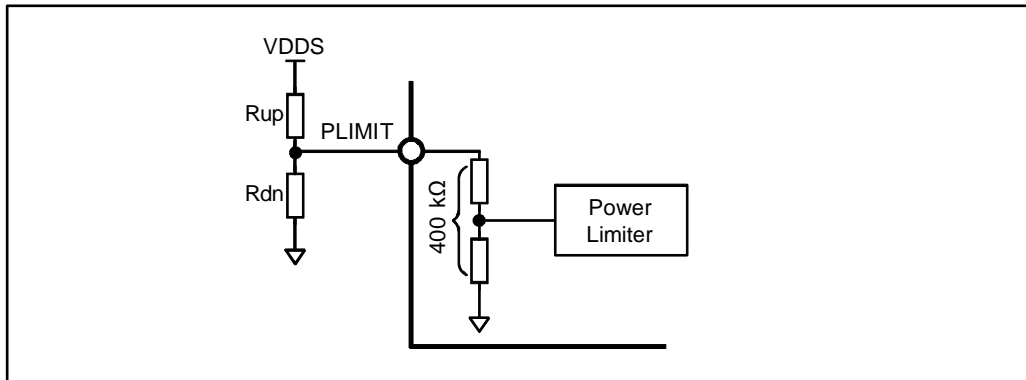
When internal die temperature exceeds 150 °C, the device directly shuts down the power stage. The TDA7492PE automatically recovers when the temperature become lower than the threshold.

4.3.3 Power limit

A built-in power limit is used to limit the output voltage level below the supply rail by limiting the duty cycle. The limit level is set through the voltage at PLIMIT (pin 30). The pin voltage is set by the following equation:

$$V_{PLIMIT} = V_{DD} \left[\frac{(R_{dn}/400k)}{(R_{dn}/400k + R_{up})} \right]$$

Figure 4: Recommended power limit pin connections



It is recommended that external resistors are less than 40 kΩ if a voltage divider is used as shown in [Figure 4: "Recommended power limit pin connections"](#). The relationship of the maximum duty cycle (D_{max}) and the voltage at P_{LIMIT} is:

$$D_{max} = \frac{\left\{ 8.8 \times \frac{V_{PLIMIT}}{V_{CC} - \frac{R_{load} \times 2 \times R_s}{2 \times V_{CC} \times R_s}} + 1 \right\}}{2}$$

Where V_{CC} is the power supply voltage, V_{PLIMIT} is the voltage applied at the P_{LIMIT} pin, R_s is the series resistance including R_{dson} of the power transistor, output filter resistance and bonding wire resistance. R_{load} is the load resistance.

An example of maximum effective control voltage at P_{LIMIT} vs. power supply and load resistance is shown in [Table 11: "Max effective voltage of PLIMIT pin vs. power supply and load"](#).

Table 11: Max effective voltage of PLIMIT pin vs. power supply and load

Rload	Power supply		
	7 V	13 V	24 V
4 Ω	0.71 V	1.32 V	2.44 V
6 Ω	0.74 V	1.37 V	2.53 V
8 Ω	0.75 V	1.39 V	2.57 V

4.4 Mode selection

The three operating modes of the TDA7492PE are set by two inputs: STBY (pin 20) and MUTE (pin 21).

- Standby mode: all circuits are turned off, very low current consumption.
- Mute mode: inputs are connected to ground and the positive and negative PWM outputs are at 50% duty cycle
- Play mode: the amplifiers are active.

The protection functions of the TDA7492PE are implemented by pulling down the voltages of the STBY and MUTE inputs shown in [Figure 5: "Standby and mute circuits"](#). The input current of the corresponding pins must be limited to 200 μ A.

Table 12: Mode settings

Mode	STBY	MUTE
Standby	L ⁽¹⁾	X (don't care)
Mute	H	L
Play	H	H

Notes:

⁽¹⁾Drive levels defined in [Table 5: "Electrical specifications"](#).

Figure 5: Standby and mute circuits

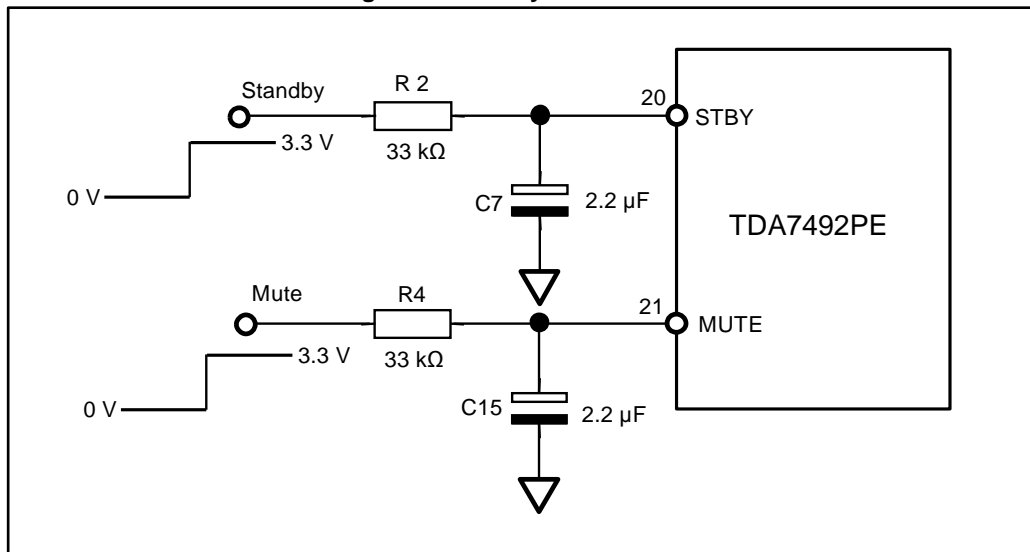
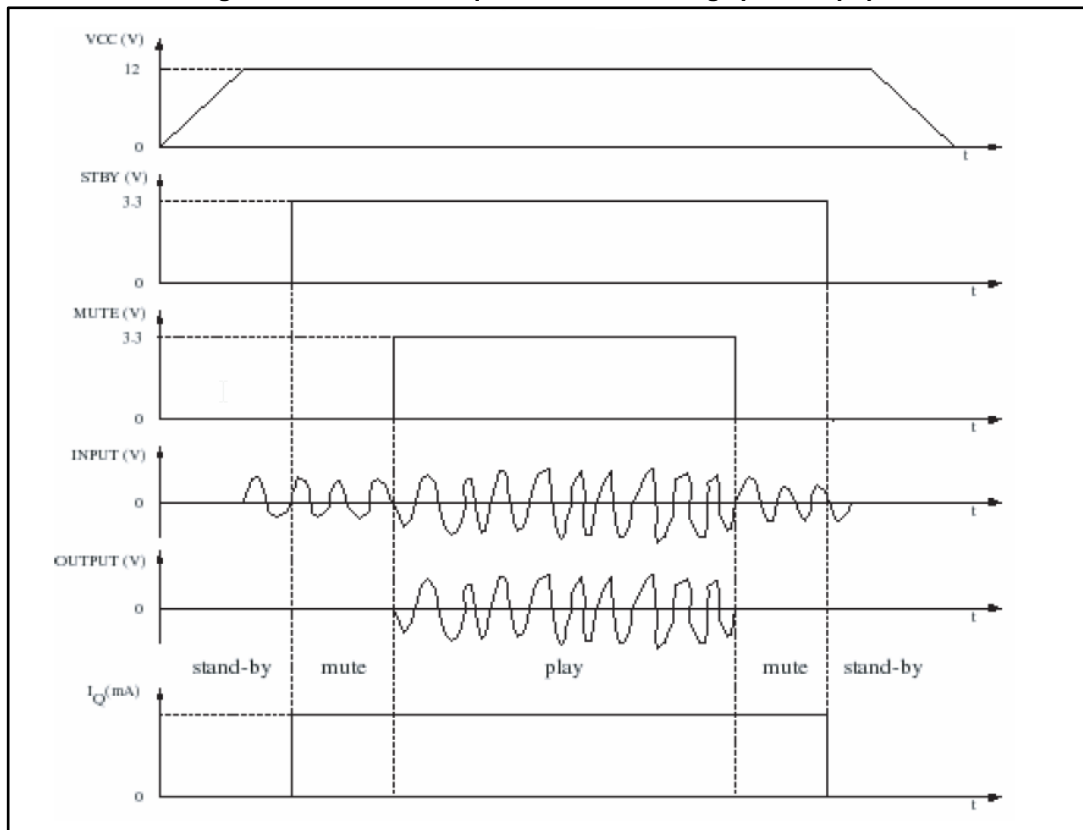


Figure 6: Turn-on/off sequence for minimizing speaker “pop”



5 Schematic diagram

Figure 7: Application circuit

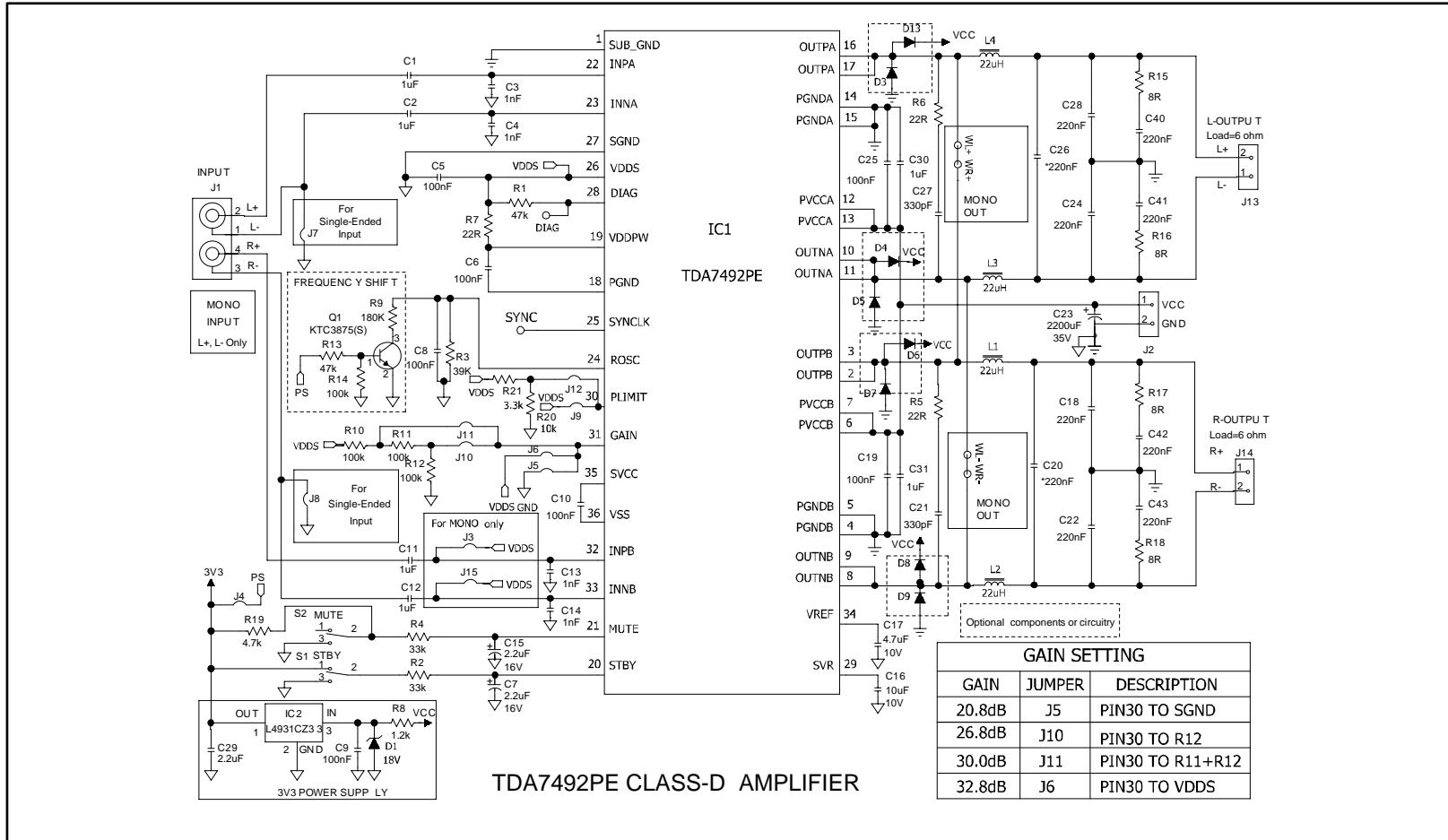


Table 13: BTL configuration

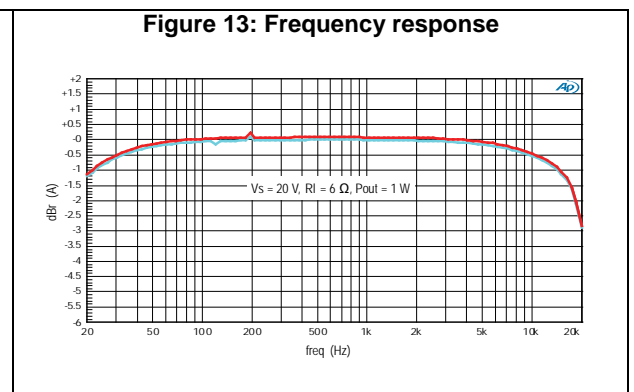
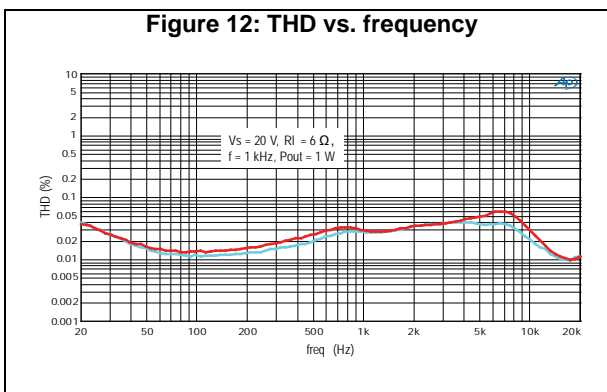
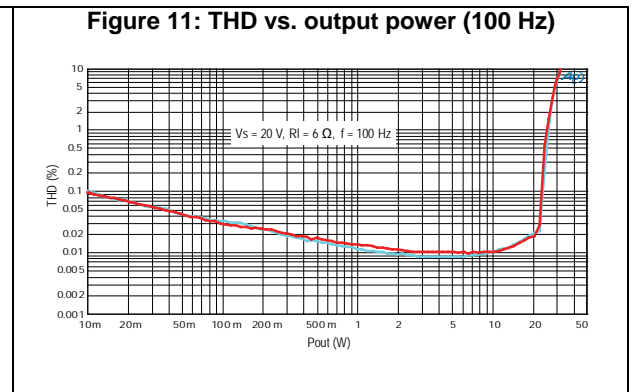
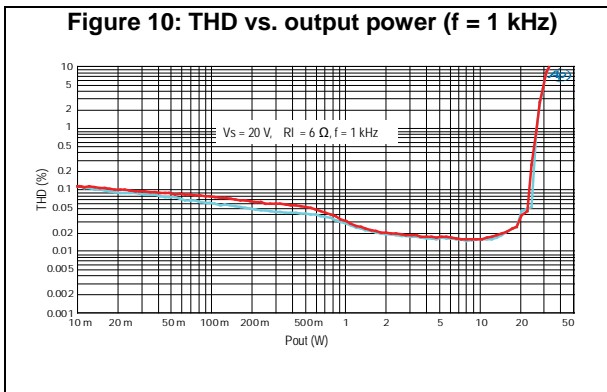
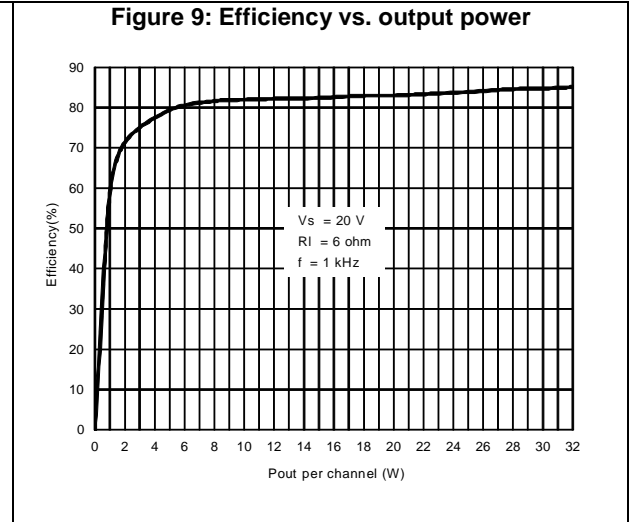
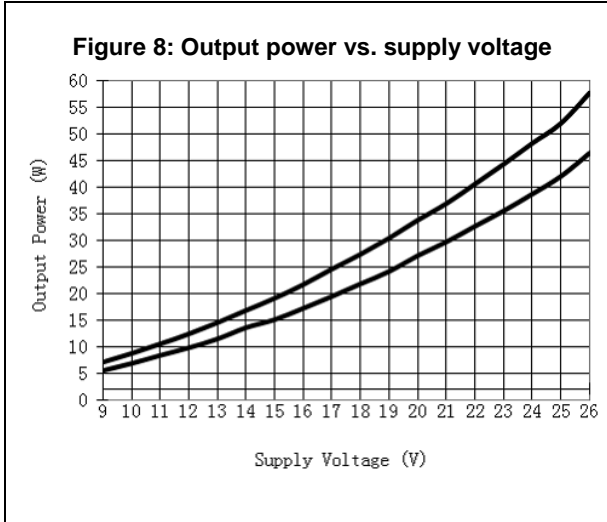
Load impedance	L4, L3, L2, L1	C26, C20	C28, C24, C22, C18	R15, R16, R17, R18	C40, C41, C42, C43
4 Ω	15 μ h	1 μ F	220 nF	8 Ω	220 nF
6 Ω	22 μ h	680 nF	220 nF	8 Ω	220 nF
8 Ω	22 μ h	470 nF	220 nF	8 Ω	220 nF

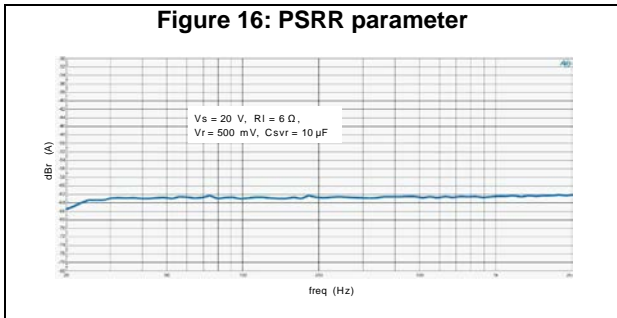
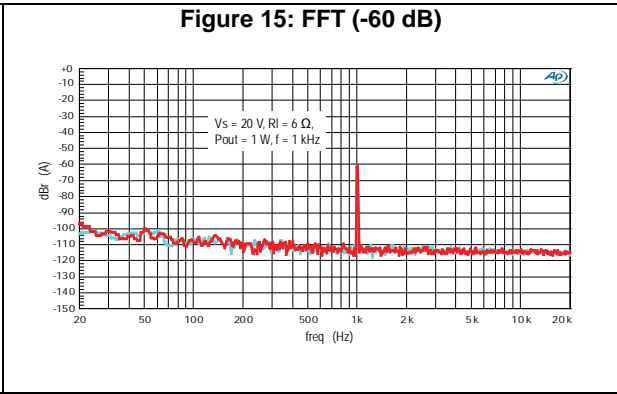
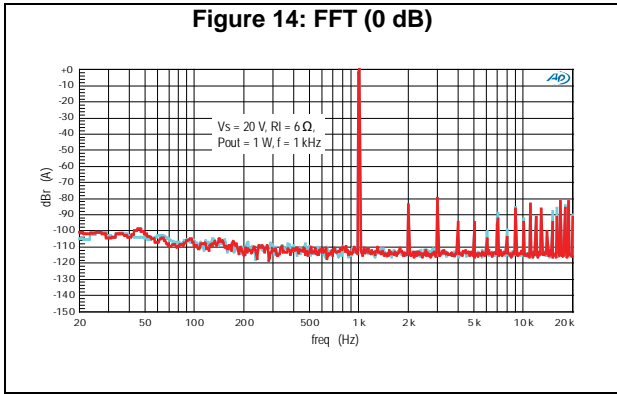
6 Characterization curves

Unless otherwise stated, measurements were made under the following conditions:

$V_{CC} = 22\text{ V}$, $R_I = 6\ \Omega$, $f = 1\text{ kHz}$, $G_v = 20.8\text{ dB}$, $R_{osc} = 33\text{ k}\Omega$, $\text{Gain} = 20.8\text{ dB}$ and $T_{amb} = 25\text{ }^\circ\text{C}$.

Note: Maximum output power must be derated according to case temperature.





7 Package information

In order to meet environmental requirements, ST offers these devices in different grades of ECOPACK® packages, depending on their level of environmental compliance. ECOPACK® specifications, grade definitions and product status are available at: www.st.com. ECOPACK® is an ST trademark.

7.1 PowerSSO36 EPD package information

The TDA7492PE comes in a 36-pin PowerSSO package with exposed pad down (EPD).

Figure 17: "PowerSSO-36 EPD package outline" shows the package outline and *Table 14: "PowerSSO-36 EPD package mechanical data"* gives the dimensions.

Figure 17: PowerSSO-36 EPD package outline

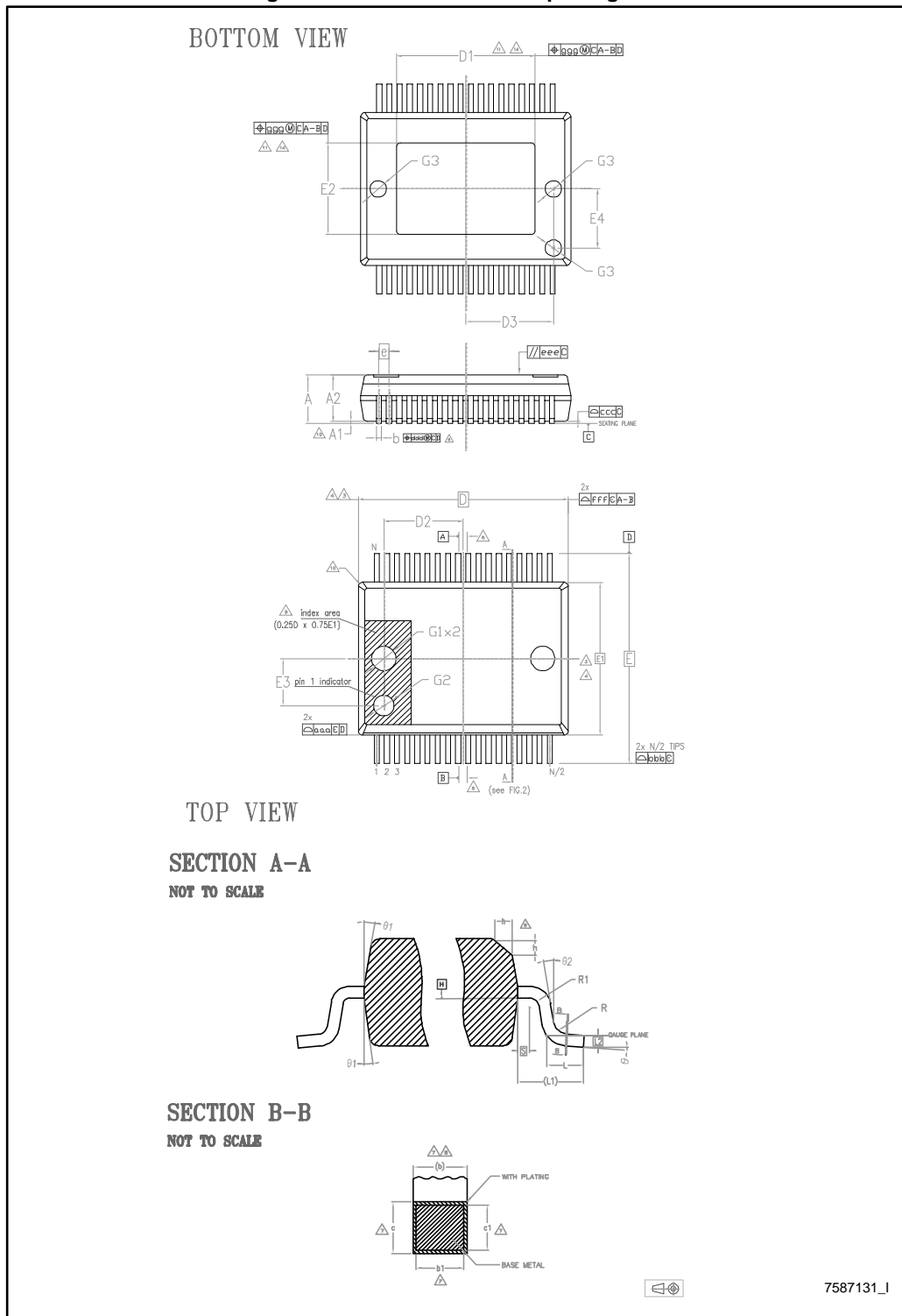


Table 14: PowerSSO-36 EPD package mechanical data

Symbol	Dimensions in mm			Dimensions in inches		
	Min.	Typ.	Max.	Min.	Typ.	Max.
θ	0°	-	8°	0°	-	8°
$\theta 1$	5°	-	10°	5°	-	10°
$\theta 2$	0°	-	-	0°	-	-
A	2.15	-	2.45	0.085	-	0.096
A1	0.00	-	0.10	0.00	-	0.004
A2	2.15	-	2.35	0.085	-	0.093
b	0.18	-	0.32	0.007	-	0.013
b1	0.13	0.25	0.30	0.005	0.010	0.012
c	0.23	-	0.32	0.009	-	0.013
c1	0.20	0.20	0.30	0.008	0.008	0.012
D	10.30 BSC			0.406 BSC		
D1	6.50	-	7.10	0.256	-	0.280
D2	-	3.65	-	-	0.144	-
D3	-	4.30	-	-	0.169	-
e	0.50 BSC			0.020 BSC		
E	10.30 BSC			0.406 BSC		
E1	7.50 BSC			0.295 BSC		
E2	4.10	-	4.70	0.161	-	0.185
E3	-	2.30	-	-	0.091	-
E4	-	2.90	-	-	0.114	-
G1	-	1.20	-	-	0.047	-
G2	-	1.00	-	-	0.039	-
G3	-	0.80	-	-	0.032	-
h	0.30	-	0.40	0.012	-	0.016
L	0.55	0.70	0.85	0.022	0.028	0.033
L1	1.40 REF			0.055 REF		
L2	0.25 BSC			0.010 BSC		
N	36					
R	0.30	-	-	0.012	-	-
R1	0.20	-	-	0.008	-	-
S	0.25	-	-	0.010	-	-

8 Revision history

Table 15: Document revision history

Date	Revision	Changes
14-Nov-2014	1	Initial release
24-Feb-2017	2	Updated minimum voltage to 7 V throughout datasheet Updated V_{OS} and T_r , T_f in Table 5: "Electrical specifications" Updated Section 7.1: "PowerSSO36 EPD package information"

IMPORTANT NOTICE – PLEASE READ CAREFULLY

STMicroelectronics NV and its subsidiaries ("ST") reserve the right to make changes, corrections, enhancements, modifications, and improvements to ST products and/or to this document at any time without notice. Purchasers should obtain the latest relevant information on ST products before placing orders. ST products are sold pursuant to ST's terms and conditions of sale in place at the time of order acknowledgement.

Purchasers are solely responsible for the choice, selection, and use of ST products and ST assumes no liability for application assistance or the design of Purchasers' products.

No license, express or implied, to any intellectual property right is granted by ST herein.

Resale of ST products with provisions different from the information set forth herein shall void any warranty granted by ST for such product.

ST and the ST logo are trademarks of ST. All other product or service names are the property of their respective owners.

Information in this document supersedes and replaces information previously supplied in any prior versions of this document.

© 2017 STMicroelectronics – All rights reserved

Данный компонент на территории Российской Федерации

Вы можете приобрести в компании MosChip.

Для оперативного оформления запроса Вам необходимо перейти по данной ссылке:

<http://moschip.ru/get-element>

Вы можете разместить у нас заказ для любого Вашего проекта, будь то серийное производство или разработка единичного прибора.

В нашем ассортименте представлены ведущие мировые производители активных и пассивных электронных компонентов.

Нашей специализацией является поставка электронной компонентной базы двойного назначения, продукции таких производителей как XILINX, Intel (ex.ALTERA), Vicor, Microchip, Texas Instruments, Analog Devices, Mini-Circuits, Amphenol, Glenair.

Сотрудничество с глобальными дистрибьюторами электронных компонентов, предоставляет возможность заказывать и получать с международных складов практически любой перечень компонентов в оптимальные для Вас сроки.

На всех этапах разработки и производства наши партнеры могут получить квалифицированную поддержку опытных инженеров.

Система менеджмента качества компании отвечает требованиям в соответствии с ГОСТ Р ИСО 9001, ГОСТ РВ 0015-002 и ЭС РД 009

Офис по работе с юридическими лицами:

105318, г.Москва, ул.Щербаковская д.3, офис 1107, 1118, ДЦ «Щербаковский»

Телефон: +7 495 668-12-70 (многоканальный)

Факс: +7 495 668-12-70 (доб.304)

E-mail: info@moschip.ru

Skype отдела продаж:

moschip.ru

moschip.ru_4

moschip.ru_6

moschip.ru_9