

MAX4908/MAX4909/ MAX4930/MAX4932

Dual 3:1 Clickless Audio Multiplexers with Negative-Signal Handling

General Description

The MAX4908/MAX4909/MAX4930/MAX4932 dual 3:1 clickless audio multiplexers feature negative-signal capability that allows signals as low as $V_{CC} - 5.5V$ to pass through without distortion. These analog multiplexers have a low on-resistance (0.38Ω), low supply current, and operate from a single +1.8V to +5.5V supply.

The MAX4908 has shunt resistors on all input terminals, and the MAX4909 has shunt resistors on all input terminals except X0 and Y0. The MAX4930 has shunt resistors only on the X2 and Y2 terminals, and the MAX4932 has no shunt resistors. The shunt resistor feature reduces click-and-pop sounds by automatically discharging the capacitance at the input terminal when they are not connected. A break-before-make feature further reduces popping.

The MAX4908/MAX4909/MAX4930/MAX4932 use two digital control inputs CB1 and CB2 to switch between signals. The digital control inputs can accept up to +5.5V independent of the supply voltage.

The MAX4908/MAX4909/MAX4930/MAX4932 are available in 12-bump wafer-level package (WLP) and 14-pin TDFN-EP package and operate over the $-40^{\circ}C$ to $+85^{\circ}C$ extended temperature range.

Applications

- Cell Phones
- PDAs and Handheld Devices
- Notebook Computers
- MP3 Players

Benefits and Features

- Distortion-Free Negative Signal Throughput Down to $V_{CC} - 5.5V$
- Internal Shunt Resistors Reduce Click-and-Pop Sounds
- High PSRR Reduces Supply Noise
- Low On-Resistance: 0.38Ω (typ)
- Channel-to-Channel Matching: 0.1Ω (max)
- On-Resistance Flatness: 0.35Ω (max)
- Single +1.8V to +5.5V Supply Voltage
- $-70dB$ (typ) Crosstalk (20kHz)
- $-80dB$ (typ) Off-Isolation (20kHz)
- 0.02% (typ) Total Harmonic Distortion
- 50nA Leakage Current
- 50nA Supply Current

Absolute Maximum Ratings

(All voltages referenced to GND.)

V _{CC} , CB ₋	-0.3V to +6.0V
X, X ₋ , Y, Y ₋	(V _{CC} - 6V) to (V _{CC} + 0.3V)
Continuous Current X, X ₋ , Y, Y ₋	±300mA
Peak Current X, X ₋ , Y, Y ₋ (pulsed at 1ms, 50% Duty Cycle)	±400mA
Peak Current X, X ₋ , Y, Y ₋ (pulsed at 1ms, 10% Duty Cycle)	±500mA

Continuous Power Dissipation (T _A = +70°C)	
12-Bump WLP (derate 8.5mW/°C above +70°C)	678mW
14-Pin TDFN, Single-Layer Board (derate 18.5mW/°C above +70°C)	1482mW
14-Pin TDFN, Multilayer Board (derate 24.4mW/°C above +70°C)	1951mW
Operating Temperature Range	-40°C to +85°C
Junction Temperature	+150°C
Storage Temperature Range	-65°C to +150°C
Lead Temperature (soldering, 10s)	+300°C

Stresses beyond those listed under "Absolute Maximum Ratings" may cause permanent damage to the device. These are stress ratings only, and functional operation of the device at these or any other conditions beyond those indicated in the operational sections of the specifications is not implied. Exposure to absolute maximum rating conditions for extended periods may affect device reliability.

Electrical Characteristics

(V_{CC} = +2.7V to +5.5V, T_A = -40°C to +85°C, unless otherwise noted. Typical values are at V_{CC} = +3.0V, T_A = +25°C.) (Note 1)

PARAMETER	SYMBOL	CONDITIONS	MIN	TYP	MAX	UNITS
POWER SUPPLY						
Supply Voltage	V _{CC}		1.8		5.5	V
Supply Current	I _{CC}	V _{CC} = +5.5V, V _{CB-} = 0V or V _{CC}		0.05	2	μA
		V _{CC} = +2.7V, V _{CB-} = +0.5V or +1.4V			4	
		V _{CC} = +5.5V, V _{CB-} = +0.5V or +1.4V			8	
ANALOG SWITCH						
Analog Signal Range (Note 2)	V _{X-} , V _{Y-} , V _X , V _Y		V _{CC} - 5.5V		V _{CC}	V
On-Resistance (Note 3)	R _{ON}	V _{CC} = +2.7V; V _{X-} = V _{Y-} = V _{CC} - 5.5V; -1V, 0V, +1V, +2V, V _{CC} ; I _{X-} = I _{Y-} = 100mA	T _A = +25°C	0.38	0.75	Ω
			T _A = T _{MIN} to T _{MAX}		0.8	
On-Resistance Match Between Channels (Notes 3 and 4)	ΔR _{ON}	Between X0 and Y0, X1 and Y1, X2 and Y2; V _{CC} = +2.7V; V _{X-} or V _{Y-} = 0V; I _{X-} = I _{Y-} = 100mA			0.1	Ω
On-Resistance Flatness (Notes 3 and 5)	R _{FLAT}	V _{CC} = +2.7V; V _{X-} = V _{Y-} = V _{CC} - 5.5V, -1V, 0, +1V, +2V, V _{CC} ; I _{X-} = I _{Y-} = 100mA			0.35	Ω
Shunt Switch Resistance	R _{SH}		2	3.8	6	kΩ
X0, Y0 Off-Leakage Current (MAX4909/MAX4930/MAX4932)	I _{L(OFF)}	V _{CC} = +2.7V, switch open, V _{X0} or V _{Y0} = -2.5V or +2.5V, V _X or V _Y = +2.5V or -2.5V	T _A = +25°C	-50	+50	nA
			T _A = T _{MIN} to T _{MAX}	-200	+200	
			T _A = +25°C	-50	+50	
X1, Y1 Off-Leakage Current (MAX4930/MAX4932)	I _{L(OFF)}	V _{CC} = +2.7V, switch open, V _{X1} or V _{Y1} = -2.5V or +2.5V, V _X or V _Y = +2.5V or -2.5V	T _A = +25°C	-50	+50	nA
T _A = T _{MIN} to T _{MAX}			-200	+200		
X2, Y2 Off-Leakage Current (MAX4932)	I _{L(OFF)}	V _{CC} = +2.7V, switch open, V _{X2} or V _{Y2} = -2.5V or +2.5V, V _X or V _Y = +2.5V or -2.5V	T _A = +25°C	-50	+50	nA
T _A = T _{MIN} to T _{MAX}			-200	+200		
X, Y On-Leakage Current	I _{L(ON)}	V _{CC} = +2.7V, switch closed, V _{X0} or V _{Y0} = -2.5V or +2.5V or unconnected, V _X = V _Y = -2.5V or +2.5V or floating	T _A = +25°C	-100	+100	nA
			T _A = T _{MIN} to T _{MAX}	-300	+300	

Electrical Characteristics (continued)

($V_{CC} = +2.7V$ to $+5.5V$, $T_A = -40^\circ C$ to $+85^\circ C$, unless otherwise noted. Typical values are at $V_{CC} = +3.0V$, $T_A = +25^\circ C$.) (Note 1)

PARAMETER	SYMBOL	CONDITIONS	MIN	TYP	MAX	UNITS
DYNAMIC CHARACTERISTICS						
Turn-On Time	t_{ON}	$V_{CC} = +2.7V$, $CB_{-} = \text{low to high}$, $R_L = 50\Omega$, $C_L = 5pF$, Figure 2		1.0		μs
Turn-Off Time	t_{OFF}	$V_{CC} = +2.7V$, $CB_{-} = \text{high to low}$, $R_L = 50\Omega$, $C_L = 5pF$, Figure 2		1.0		μs
Break-Before-Make Delay Time	t_D	$V_{CC} = +2.7V$, $CB_{-} = \text{low to high or high to low}$, $R_L = 50\Omega$, $C_L = 5pF$, Figure 3	1.0	15		ns
Charge Injection	Q	$V_X = V_Y = 0V$, $R_{GEN} = 0\Omega$, $C_L = 1nF$, Figure 4		300		pC
Power-Supply Rejection Ratio	PSRR	$f_{SW} = 20kHz$, V_X or $V_Y = 1V_{RMS}$, $R_L = 50\Omega$, $C_L = 5pF$		60		dB
Off-Isolation	V_{ISO}	$f_{SW} = 20kHz$, $V_X = V_Y = 1V_{RMS}$, $R_L = 50\Omega$, Figure 5 (Note 6)		-80		dB
Crosstalk	V_{CT}	$f_{SW} = 20kHz$, V_X or $V_Y = 1V_{RMS}$, $R_L = 50\Omega$, Figure 5		-70		dB
Total Harmonic Distortion	THD	$f_{SW} = 20Hz$ to $20kHz$, V_X or $V_Y = 0.5V_{P-P}$, $R_L = 50\Omega$, DC bias = 0		0.02		%
X, Y Off-Capacitance	$C_{X(OFF)}$ $C_{Y(OFF)}$	$f_{SW} = 1MHz$, V_X or $V_Y = 0.5V_{P-P}$, DC bias = 0, Figure 6		200		pF
X, Y On-Capacitance	$C_{X(ON)}$ $C_{Y(ON)}$	$f_{SW} = 1MHz$, V_X or $V_Y = 0.5V_{P-P}$, DC bias = 0, Figure 6		450		pF
DIGITAL INPUTS (CB_{-})						
Input Logic-High	V_{IH}		1.4			V
Input Logic-Low	V_{IL}				0.5	V
Input Leakage Current	I_{CB}	$V_{CB_{-}} = 0V$ or V_{CC}	-1		+1	μA

Note 1: All parameters are production tested at $T_A = +25^\circ C$ and guaranteed by design over the specified temperature range.

Note 2: Signals on X, Y, X_{-} , or Y_{-} exceeding V_{CC} are clamped by internal diodes. Limit forward-diode current to maximum current rating.

Note 3: Guaranteed by design; not production tested.

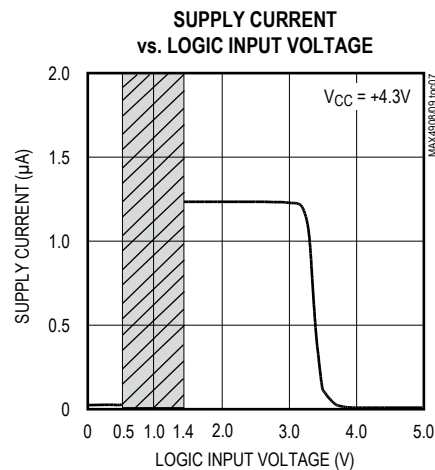
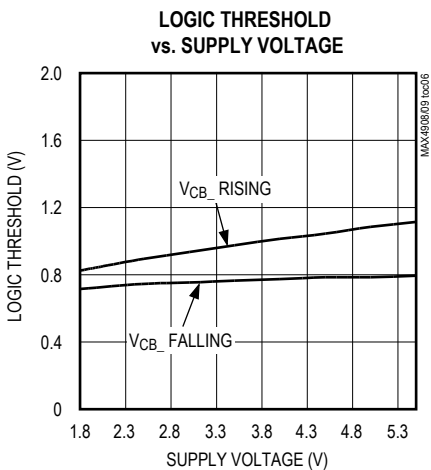
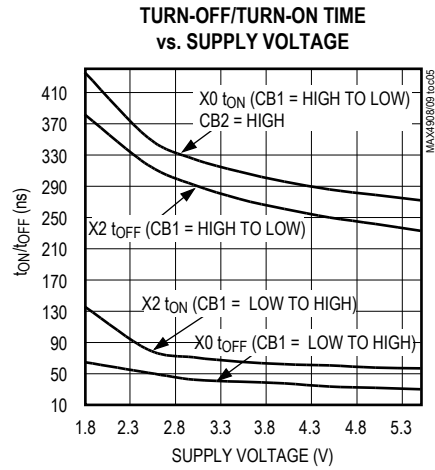
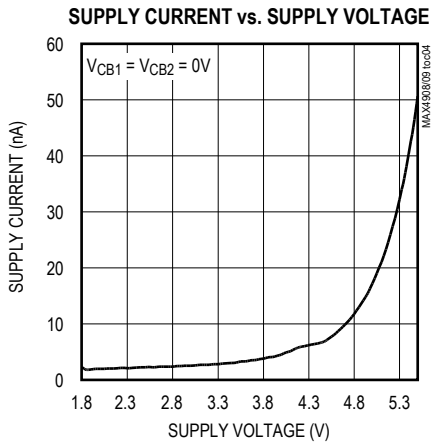
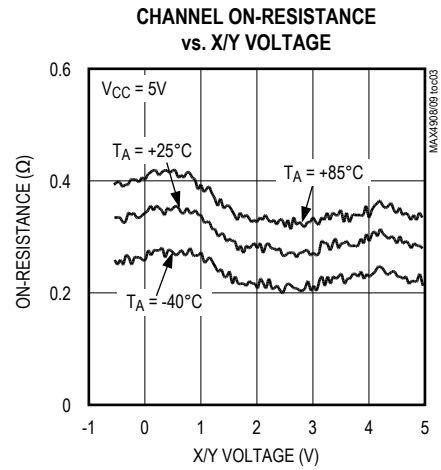
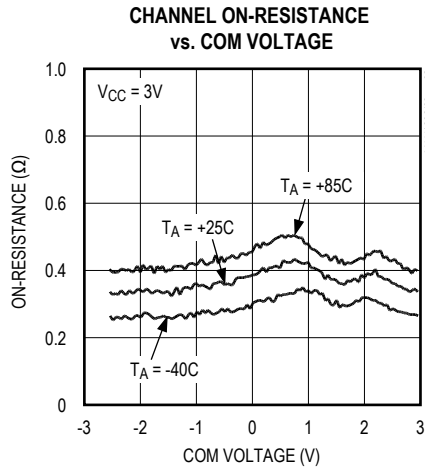
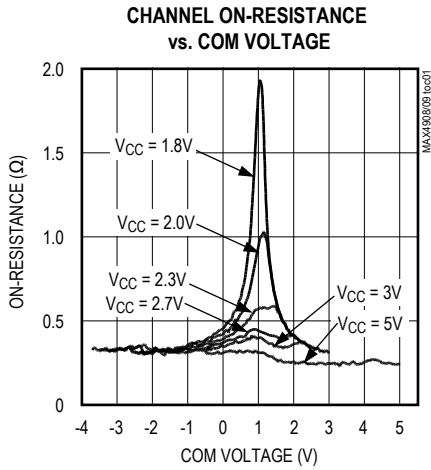
Note 4: $\Delta R_{ON} = R_{ON(MAX)} - R_{ON(MIN)}$.

Note 5: Flatness is defined as the difference between the maximum and minimum value of on-resistance as measured over the specified analog signal ranges.

Note 6: X Off-Isolation = $20\log_{10} [V_X / V_{X_{-}}]$, V_X = output, $V_{X_{-}}$ = input to off switch. Y Off-Isolation = $20\log_{10} [V_Y / V_{Y_{-}}]$, V_Y = output, $V_{Y_{-}}$ = input to off switch.

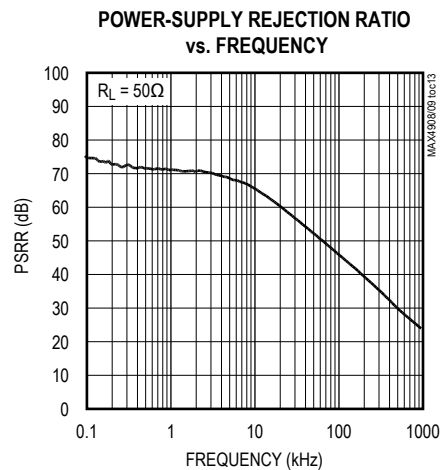
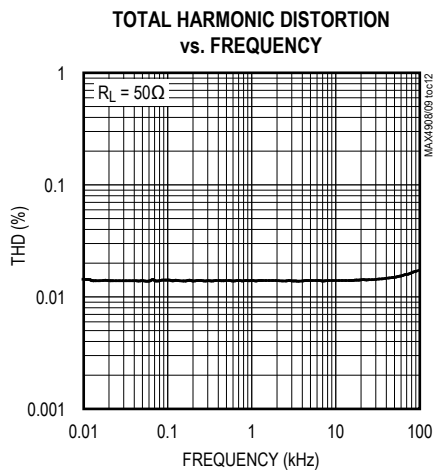
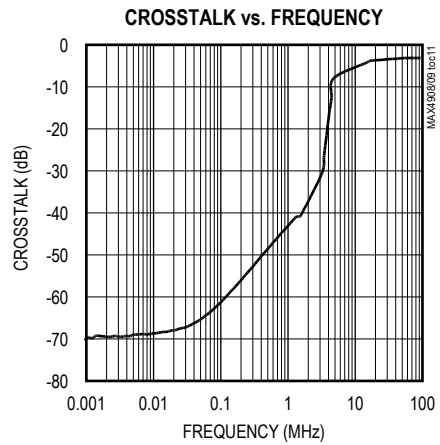
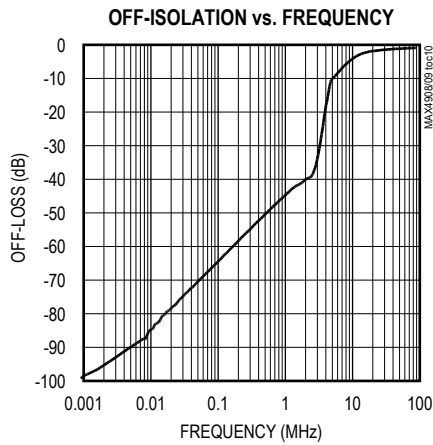
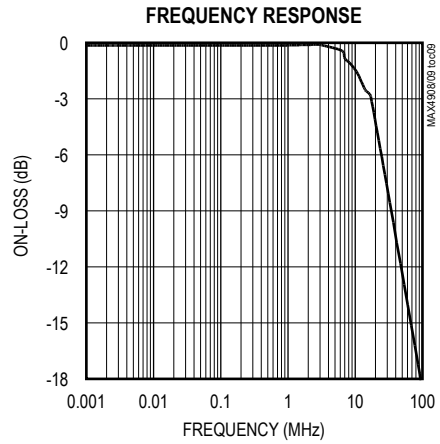
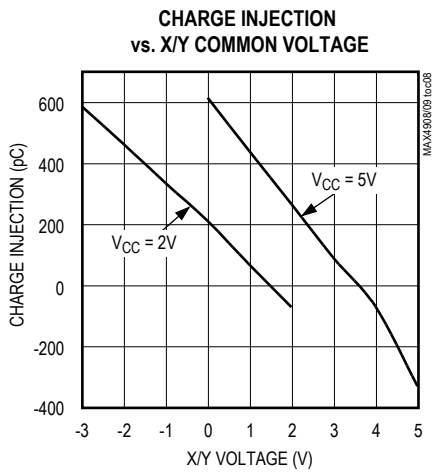
Typical Operating Characteristics

($V_{CC} = 3.0V$, $T_A = +25^\circ C$, unless otherwise noted.)

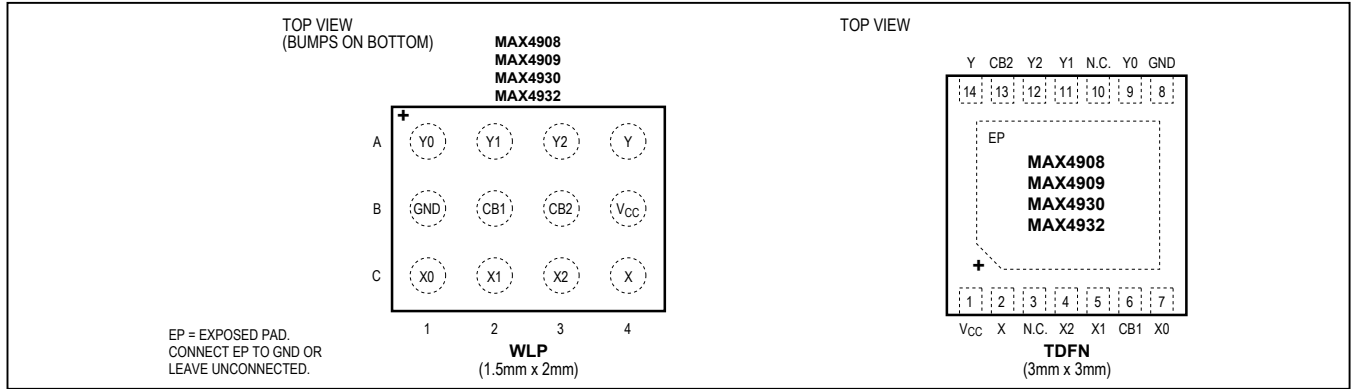


Typical Operating Characteristics (continued)

($V_{CC} = 3.0V$, $T_A = +25^\circ C$, unless otherwise noted.)



Bump Configurations



Bump Descriptions

PIN		NAME	FUNCTION
TDFN-EP	WLP		
1	B4	VCC	Positive Supply Voltage Input
2	C4	X	Analog Output X Common Terminal
3,10	—	N.C.	No Connection. Not internally connected.
4	C3	X2	Analog Input X2
5	C2	X1	Analog Input X1
6	B2	CB1	Digital Control Input 1
7	C1	X0	Analog Input X0
8	B1	GND	Ground
9	A1	Y0	Analog Input Y0
11	A2	Y1	Analog Input Y1
12	A3	Y2	Analog Input Y2
13	B3	CB2	Digital Control Input 2
14	A4	Y	Analog Output Y Common Terminal
—	—	EP	Exposed Pad. Connect to ground or leave unconnected.

Detailed Description

The MAX4908/MAX4909/MAX4930/MAX4932 dual 3:1 clickless audio multiplexers are low 0.38Ω (typ) on-resistance, low 150nA (typ) supply current, high power-supply rejection ratio (PSRR) devices that operate from a +1.8V to +5.5V single supply. These devices feature a negative signal capability that allows signals below GND to pass through without distortion and break-before-make switching.

The MAX4908/MAX4909/MAX4930/MAX4932 use two digital control bits CB1 and CB2 to switch between signals (see [Table 1](#)). The MAX4908 has shunt resistors on all the unselected terminals to suppress click-and-pop sounds that may occur from switching to a precharged terminal. The MAX4909 does not have click-and-pop suppression resistors on X0 and Y0 terminals for applications that do not require precharge switching. The MAX4930 only has shunt resistors on X2 and Y2 terminals. The MAX4932 has no shunt resistors on all terminals.

Table 1. Truth Table

CB1	CB2	COMMON X	COMMON Y
0	0	High Impedance	High Impedance
0	1	Connected to X0	Connected to Y0
1	0	Connected to X1	Connected to Y1
1	1	Connected to X2	Connected to Y2

Applications Information

Digital Control Inputs

The MAX4908/MAX4909/MAX4930/MAX4932 logic inputs accept up to +5.5V regardless of supply voltage. For example, with a +3.3V supply, CB_ can be driven low to GND and high to +5.5V, allowing for mixing of logic levels in a system. Driving CB_ rail-to-rail minimizes power consumption. For a +3.3V supply voltage, the logic thresholds are +0.5V (low) and +1.4V (high).

Analog Signal Levels

These devices have a low on-resistance of 0.38Ω (typ) and the on-resistance flatness is guaranteed over temperature and will show minimal variation over the entire voltage supply range (see the [Typical Operating Characteristics](#)). The on-resistance flatness and low-leakage features make it ideal for bidirectional operation. The switches are bidirectional, so X_, Y_, and common terminals X and Y pins can be either inputs or outputs.

These devices pass signals as low as $V_{CC} - 5.5V$, including signals below ground with minimal distortion.

Click-Pop Suppression

The MAX4908 has a 3.8kΩ (typ) shunt resistor on all of its input terminals to automatically discharge any capacitance when they are not connected to common terminal X and Y. The MAX4909 has shunt resistors on all terminals except X0 and Y0. The MAX4930 only has shunt resistors on X2 and Y2. The shunt resistors reduce audible click-and-pop sounds that occur when switching between audio sources.

Audible clicks and pops are caused when a step DC voltage is switched into the speaker. The DC step transients can be reduced by automatically discharging the side that is not connected to the common terminal, thus reducing any residual DC voltage and clicks and pops.

Break-Before-Make Switching

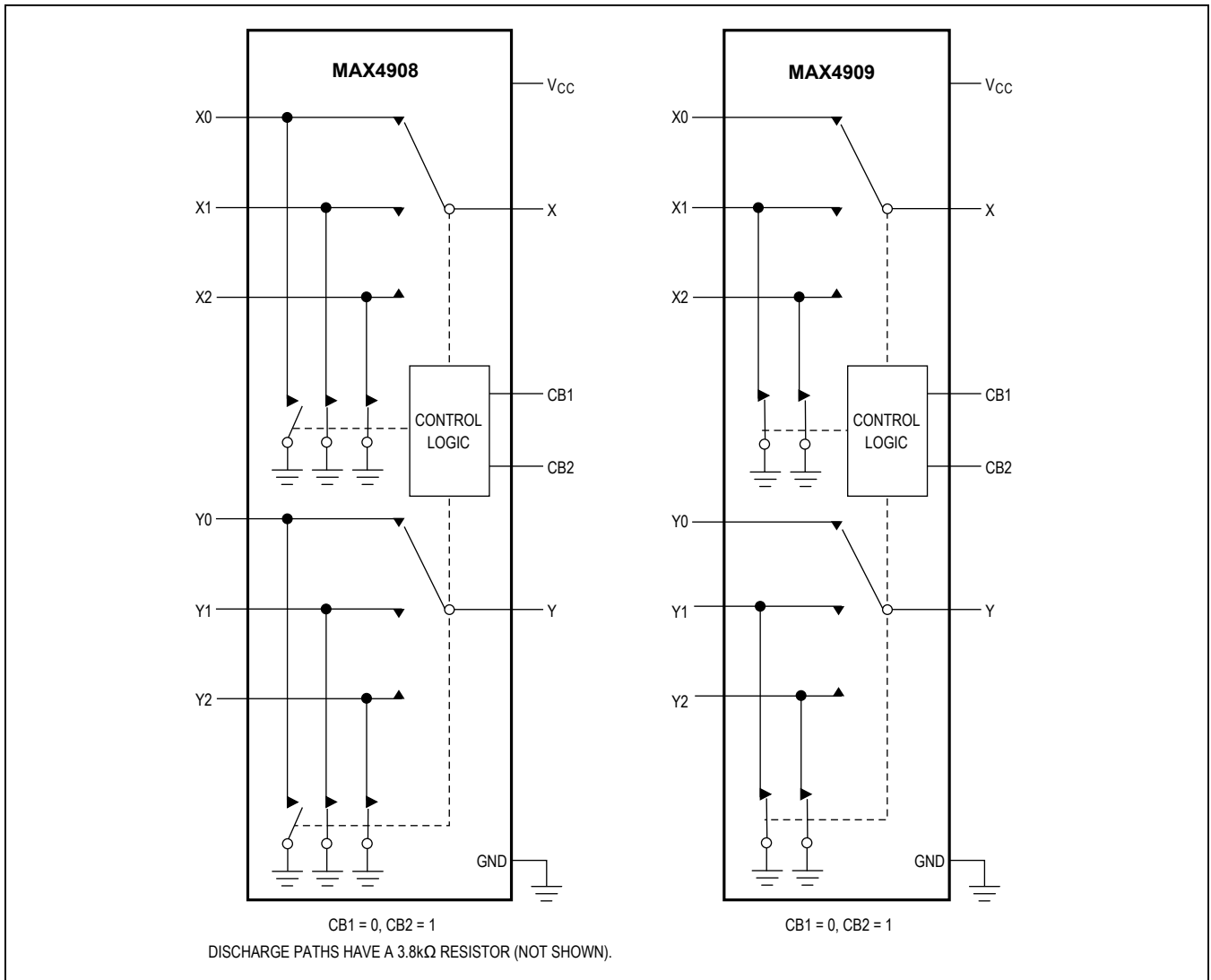
The MAX4908/MAX4909/MAX4930/MAX4932 feature break-before-make switching, which is configured to break (open) the first set of contacts before engaging (closing) the new contacts. This prevents the momentary connection of the old and new signal paths to the output, further reducing click-and-pop sounds.

Power-Supply Sequencing and Overvoltage Protection

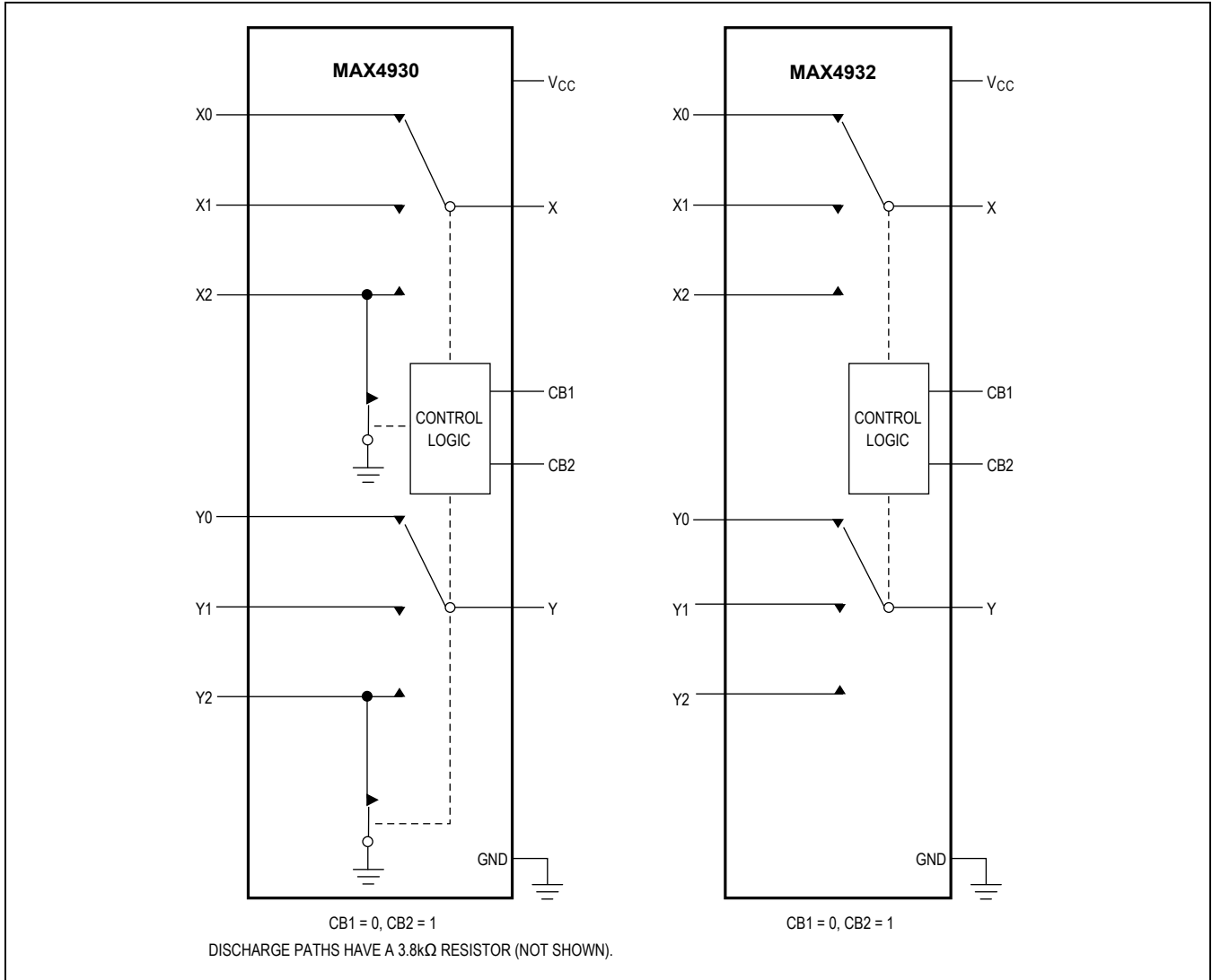
Caution: Do not exceed the Absolute Maximum Ratings since stresses beyond the listed ratings may cause permanent damage to the device.

Proper power-supply sequencing is recommended for all CMOS devices. Improper supply sequencing can force the switch into latchup, causing it to draw excessive supply current. The only way out of latchup is to recycle the power and reapply properly. Connect all ground pins first, apply power to V_{CC} , and finally apply signals to X_, Y_, and common terminals. Follow the reverse order upon power-down.

Functional Diagram



Functional Diagram (continued)



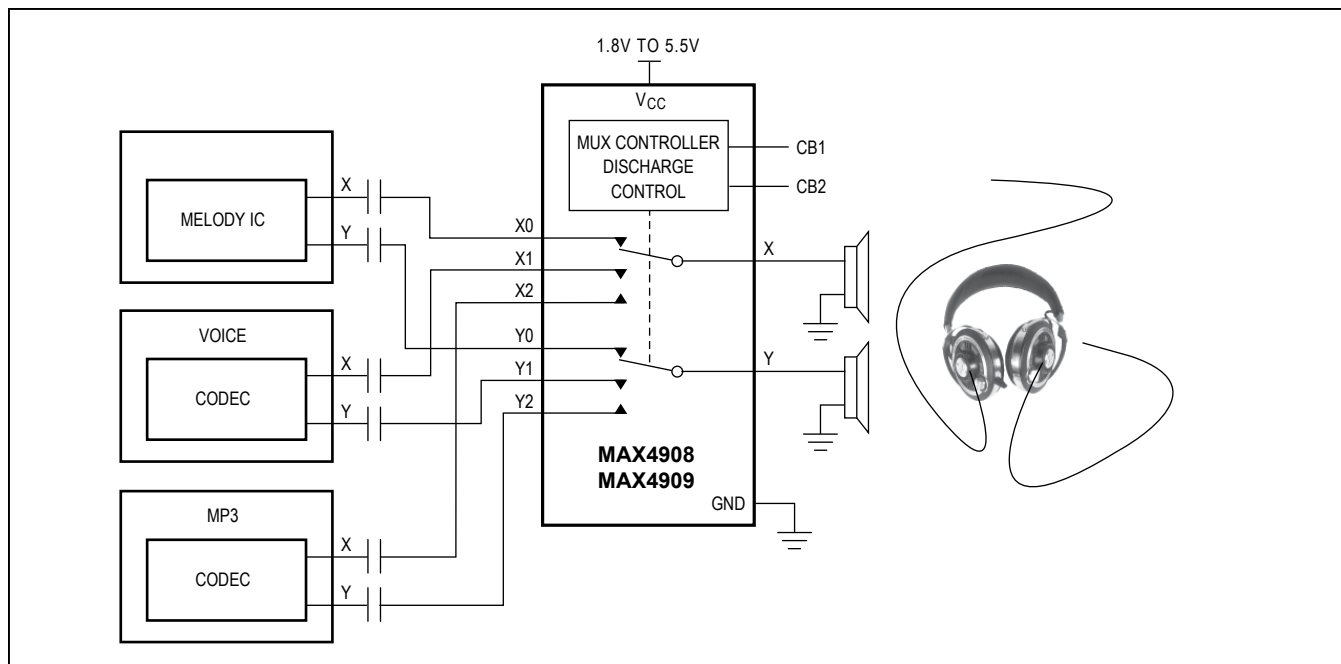


Figure 1. Typical Application Circuit

Test Circuits/Timing Diagrams

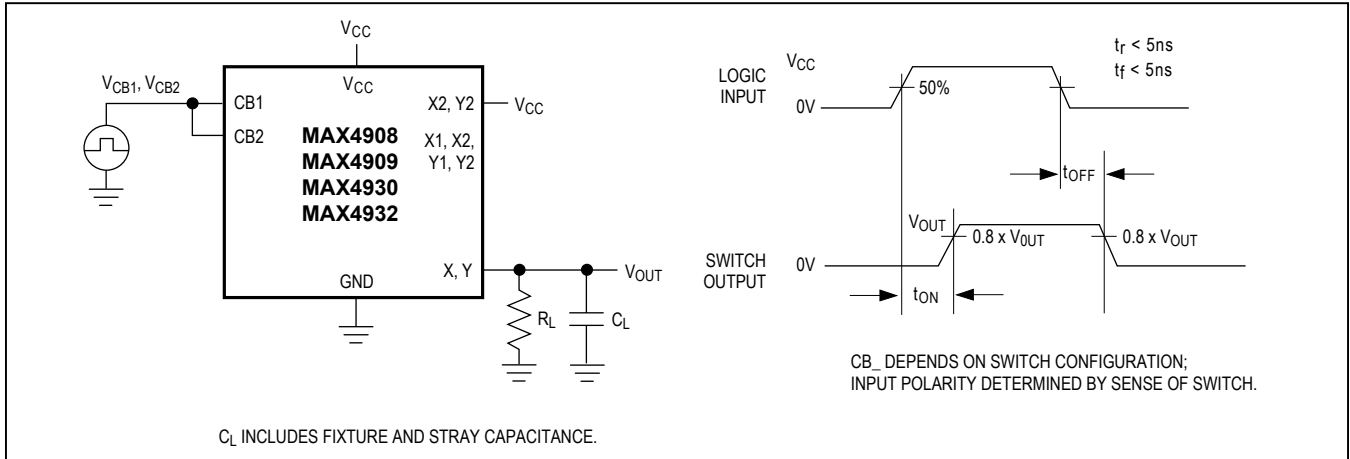


Figure 2. Switching Time

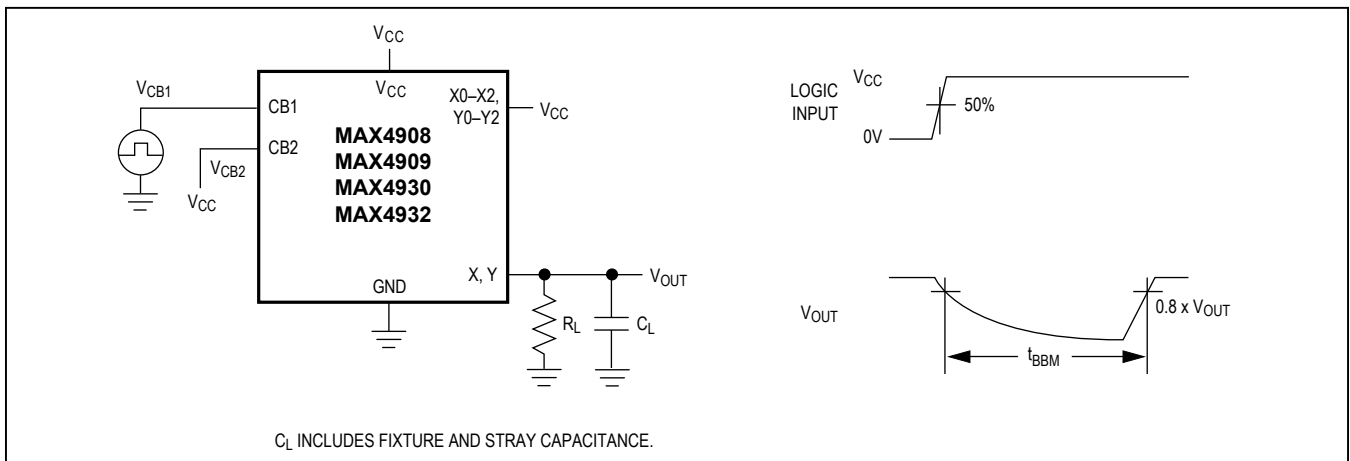


Figure 3. Break-Before-Make Interval

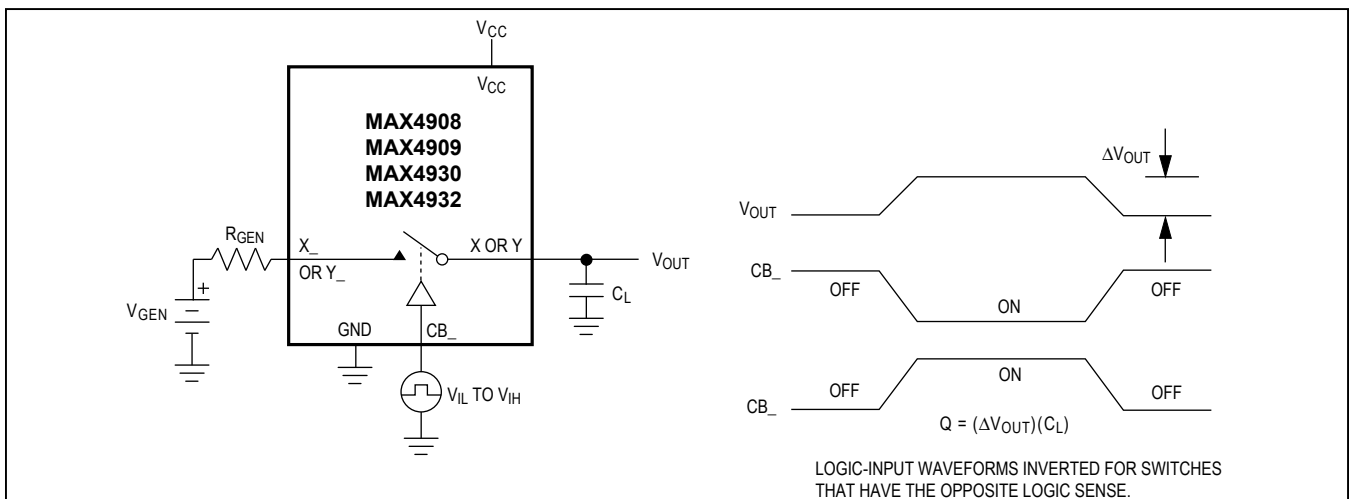


Figure 4. Charge Injection

Test Circuits/Timing Diagrams (continued)

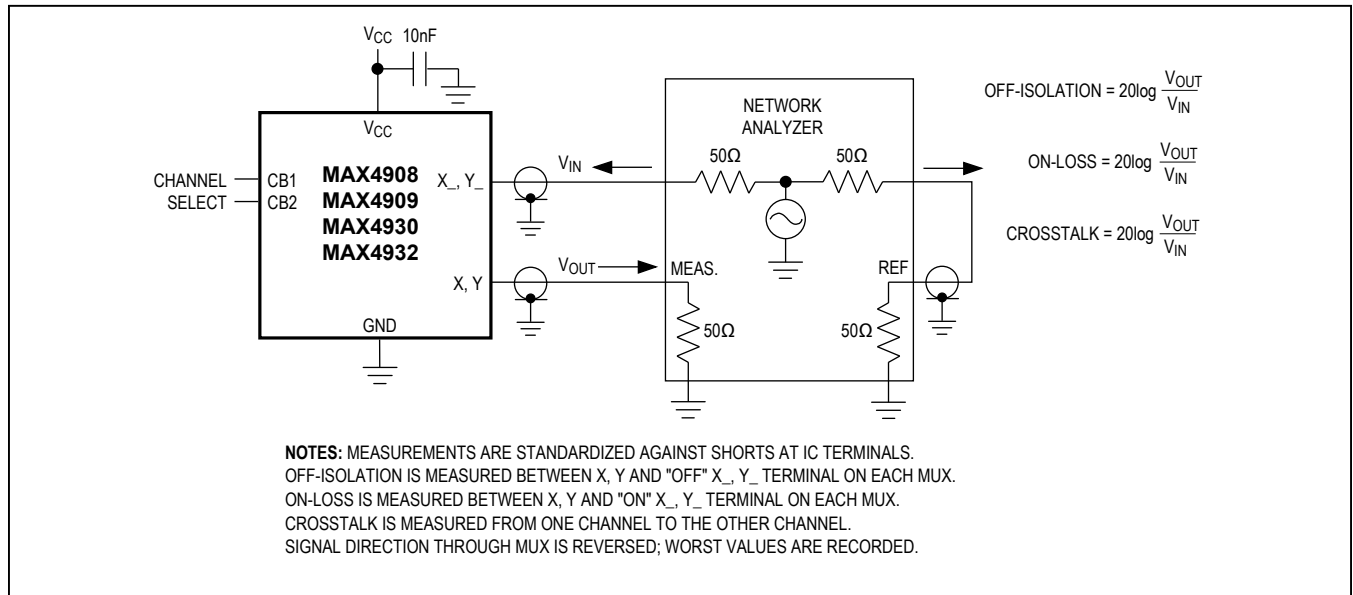


Figure 5. On-Loss, Off-Isolation, and Crosstalk

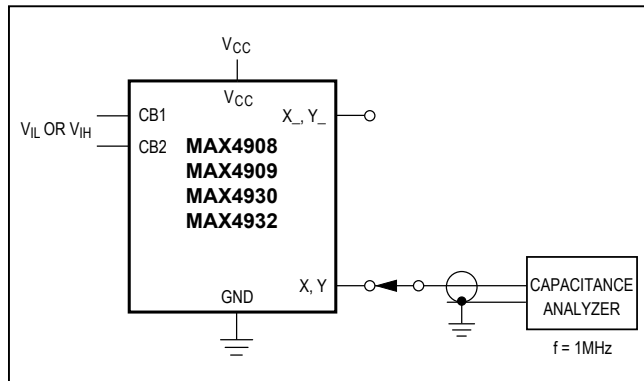


Figure 6. Channel Off/On-Capacitance

MAX4908/MAX4909/
MAX4930/MAX4932

Dual 3:1 Clickless Audio Multiplexers with Negative-Signal Handling

Ordering Information

PART	TEMP RANGE	PIN-PACKAGE	TOP MARK
MAX4908 ETD+T	-40°C to +85°C	14 TDFN-EP**	ABI
MAX4908EWC+T	-40°C to +85°C	12 WLP	AAF
MAX4909 ETD+T	-40°C to +85°C	14 TDFN-EP**	ABJ
MAX4909EWC+T*	-40°C to +85°C	12 WLP	AAG
MAX4930 ETD+T	-40°C to +85°C	14 TDFN-EP**	ADM
MAX4930EWC+T*	-40°C to +85°C	12 WLP	ADY
MAX4932 ETD+T	-40°C to +85°C	14 TDFN-EP**	ADN
MAX4932EWC+T*	-40°C to +85°C	12 WLP	AAN

+Denotes a lead-free/RoHS-compliant package.

T = Tape and reel.

*Future product—contact factory for availability.

**EP = Exposed pad.

Chip Information

PROCESS: BiCMOS

Package Information

For the latest package outline information and land patterns (footprints), go to www.maximintegrated.com/packages. Note that a "+", "#", or "-" in the package code indicates RoHS status only. Package drawings may show a different suffix character, but the drawing pertains to the package regardless of RoHS status.

PACKAGE TYPE	PACKAGE CODE	DOCUMENT NO.
14 TDFN	T1433+2	21-0137
12 WLP	W121B2+1	21-100112

Revision History

REVISION NUMBER	REVISION DATE	DESCRIPTION	PAGES CHANGED
1	7/07	Adding of the MAX4930/MAX4932	1-13
2	6/08	Changing UCSP to WLP packaging	1,2,6,8,11
3	1/16	Removed future product asterisk from MAX4908EWC+T	12
4	3/16	Updated package codes and package outline drawing in <i>Package Information</i> table	13

For pricing, delivery, and ordering information, please contact Maxim Direct at 1-888-629-4642, or visit Maxim Integrated's website at www.maximintegrated.com.

Maxim Integrated cannot assume responsibility for use of any circuitry other than circuitry entirely embodied in a Maxim Integrated product. No circuit patent licenses are implied. Maxim Integrated reserves the right to change the circuitry and specifications without notice at any time. The parametric values (min and max limits) shown in the Electrical Characteristics table are guaranteed. Other parametric values quoted in this data sheet are provided for guidance.

Данный компонент на территории Российской Федерации

Вы можете приобрести в компании MosChip.

Для оперативного оформления запроса Вам необходимо перейти по данной ссылке:

<http://moschip.ru/get-element>

Вы можете разместить у нас заказ для любого Вашего проекта, будь то серийное производство или разработка единичного прибора.

В нашем ассортименте представлены ведущие мировые производители активных и пассивных электронных компонентов.

Нашей специализацией является поставка электронной компонентной базы двойного назначения, продукции таких производителей как XILINX, Intel (ex.ALTERA), Vicor, Microchip, Texas Instruments, Analog Devices, Mini-Circuits, Amphenol, Glenair.

Сотрудничество с глобальными дистрибьюторами электронных компонентов, предоставляет возможность заказывать и получать с международных складов практически любой перечень компонентов в оптимальные для Вас сроки.

На всех этапах разработки и производства наши партнеры могут получить квалифицированную поддержку опытных инженеров.

Система менеджмента качества компании отвечает требованиям в соответствии с ГОСТ Р ИСО 9001, ГОСТ РВ 0015-002 и ЭС РД 009

Офис по работе с юридическими лицами:

105318, г.Москва, ул.Щербаковская д.3, офис 1107, 1118, ДЦ «Щербаковский»

Телефон: +7 495 668-12-70 (многоканальный)

Факс: +7 495 668-12-70 (доб.304)

E-mail: info@moschip.ru

Skype отдела продаж:

moschip.ru

moschip.ru_4

moschip.ru_6

moschip.ru_9