

Power Modules (Power Supplies with Ultra-low Standby Power Consumption)

■ Features

1. Easy to design compact AC/DC due to small number of external components
2. Enables significant reduction in power consumption of no-load and light load
3. Corresponding world wide input and PFC output voltage (Vin:DC100V~420V)
4. Unique Tamura design insures significant reduction in 'buzz' under light-load conditions for lower noise level
5. Reinforced insulation



■ Applications

- Industrial equipment
- Information processing equipment
- AV equipment
- Home electric appliances
- Other standby power supplies and compact power supplies

■ Certified safety standards

UL62368-1, CSA C22.2 No.62368-1 (E132244)
IEC62368-1(CB)

Certified input voltage range
...DC100-420V

■ Applicable safety standards

UL/CSA/IEC/EN62368-1
UL/CSA/IEC/EN60950-1
UL/CSA/IEC/EN60065
IEC/EN60335-1

Applicable input voltage range
...DC100-420V

■ Application circuit

Method to select external parts for input rectification and smoothing as well as output smoothing is supported by the application note.

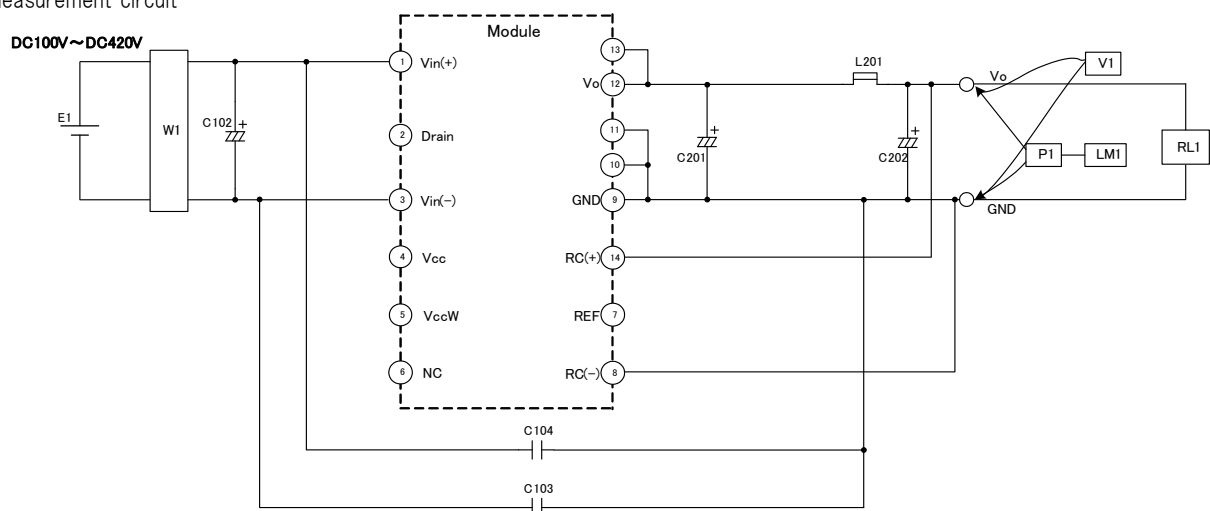
Input-output condition

| Item | Specification | Conditions·Note |
|----------------------------------|-----------------------------|--|
| Input voltage range | DC100V~420V (DC50V~420V) | Average voltage (Refer to the Input voltage derating curve) |
| Maximum input voltage | 420V or less | Including peak value |
| Input ripple voltage lower limit | 75V or more | Ripple voltage of the AC input rectified |
| Rated input voltage | DC140V, DC340V | |
| Rated output voltage | 36V | |
| Rated load current | 0.75A | |
| Maximum peak load current | 1.12A | 5s or less, Duty 30%. Average current 0.75A or less. |

Electrical specification Ta=25°C

| Item | Specification | Conditions·Note |
|--------------------------|-----------------------|---|
| Efficiency | 85% or more (90% TYP) | Rated input voltage Rated output current |
| Output voltage tolerance | ±5% | |
| Line regulation | 100mV or less | Input voltage DC100V~420V |
| Load regulation | 250mV or less | Output current 0~rated output current |
| No-load power | 75mW or less | Rated input voltage |
| Ripple | 360mVp-p or less | Rated input voltage Rated output current |
| Ripple noise | 400mVp-p or less | |

Measurement circuit



E1 : DC power supply
 W1 : Power meter WT210 (YOKOGAWA)
 RL1: Electronic load
 V1 : Voltmeter Class 0.5
 P1 : Differential probe DP-100(KG)
 LM1: Ripple noise meter RM-103(KG)

C102 : 450BXW82M (RUBYCON)
 C103 : CD75-B2GA331K (TDK)
 C104 : CD75-B2GA331K (TDK)
 C201 : 63ZLJ270M (RUBYCON)
 C202 : 63ZLJ100M (RUBYCON)
 L201 : PC8Z-2R2N (KORIN)

Protection

| Item | Specification | Conditions · Note |
|------------------------|---------------|-------------------|
| Overcurrent protection | 1.2A~2.5A | Hiccup mode |
| Overvoltage protection | 40.0V~57.0V | Latch off |
| Overheat protection | | Latch off |

Insulation

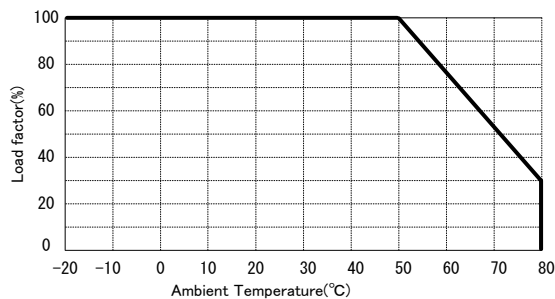
| Item | Specification | Conditions · Note |
|---|---------------|-------------------|
| Dielectric withstand voltage (Between Pri—Sec) | AC3.75kV 1min | Cutoff 5mA |
| Insulation resistance (Between Pri—Sec) | 100MΩ or more | DC500V |

Environmental conditions

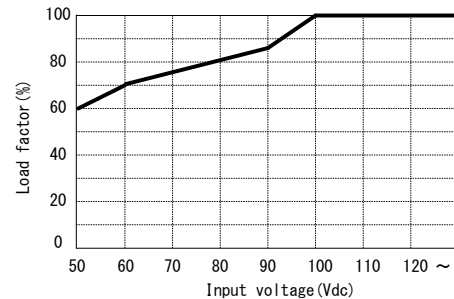
| Item | Specification | Conditions · Note |
|-----------------------|-------------------------------|---|
| Operating temperature | -20°C~80°C | Refer to the Ambient temperature derating curve |
| Operating humidity | 20~95%RH (No condensation) | |
| Storage temperature | -25°C~85°C | |
| Storage humidity | 5~95%RH (No condensation) | |

Ambient temperature derating curve

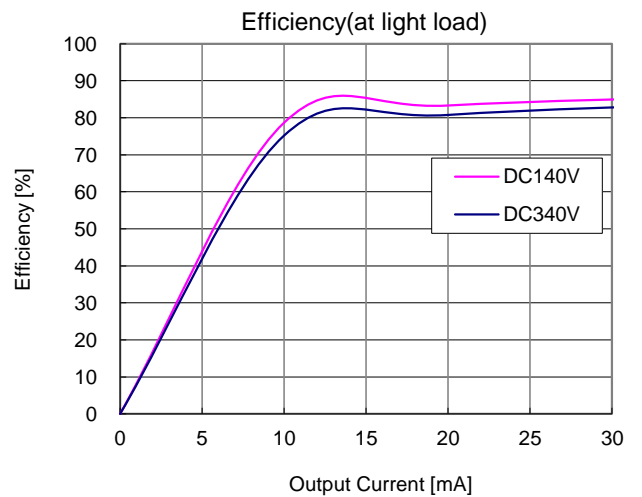
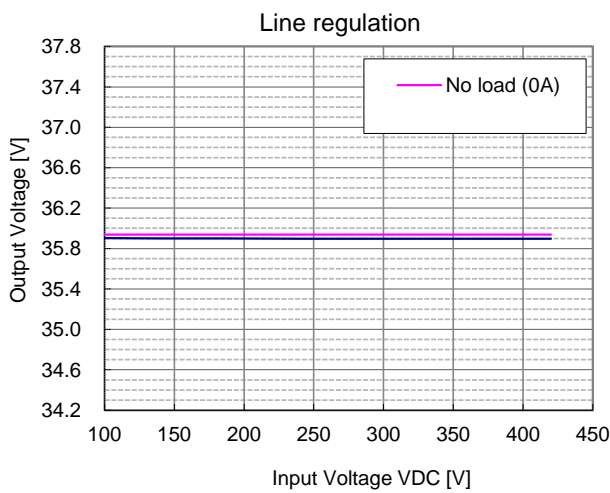
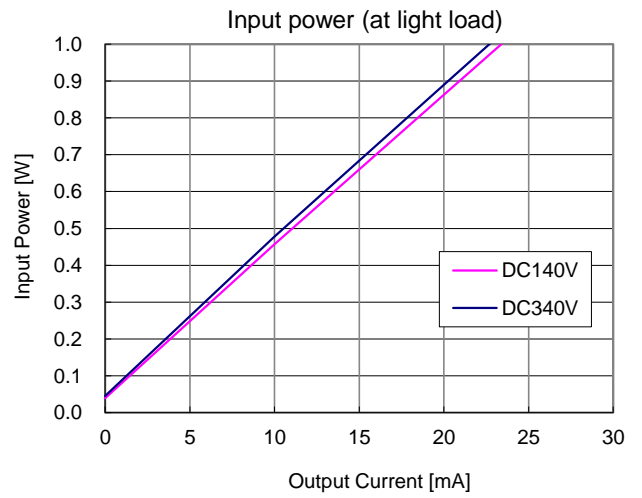
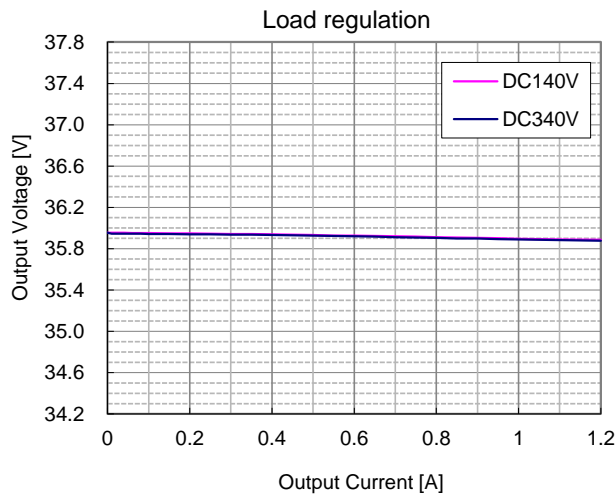
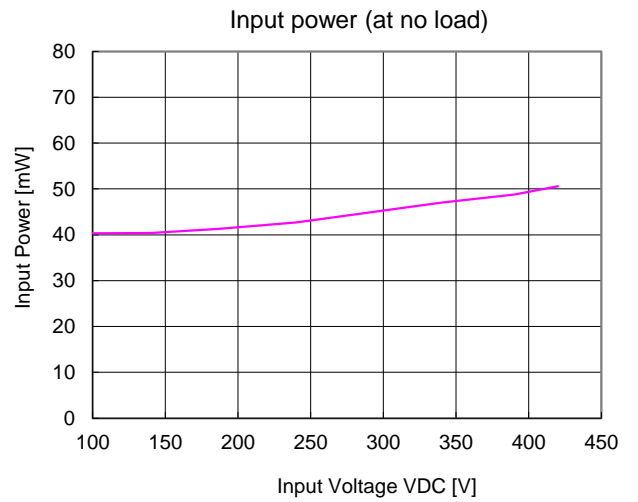
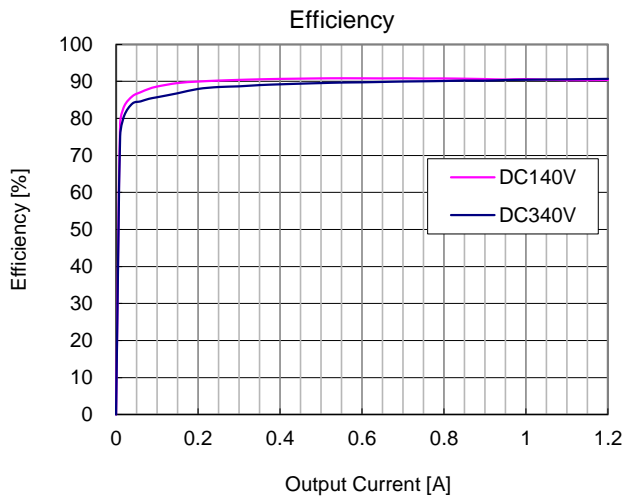
Reduce the load current according to the following temperature derating table.


Input voltage derating curve

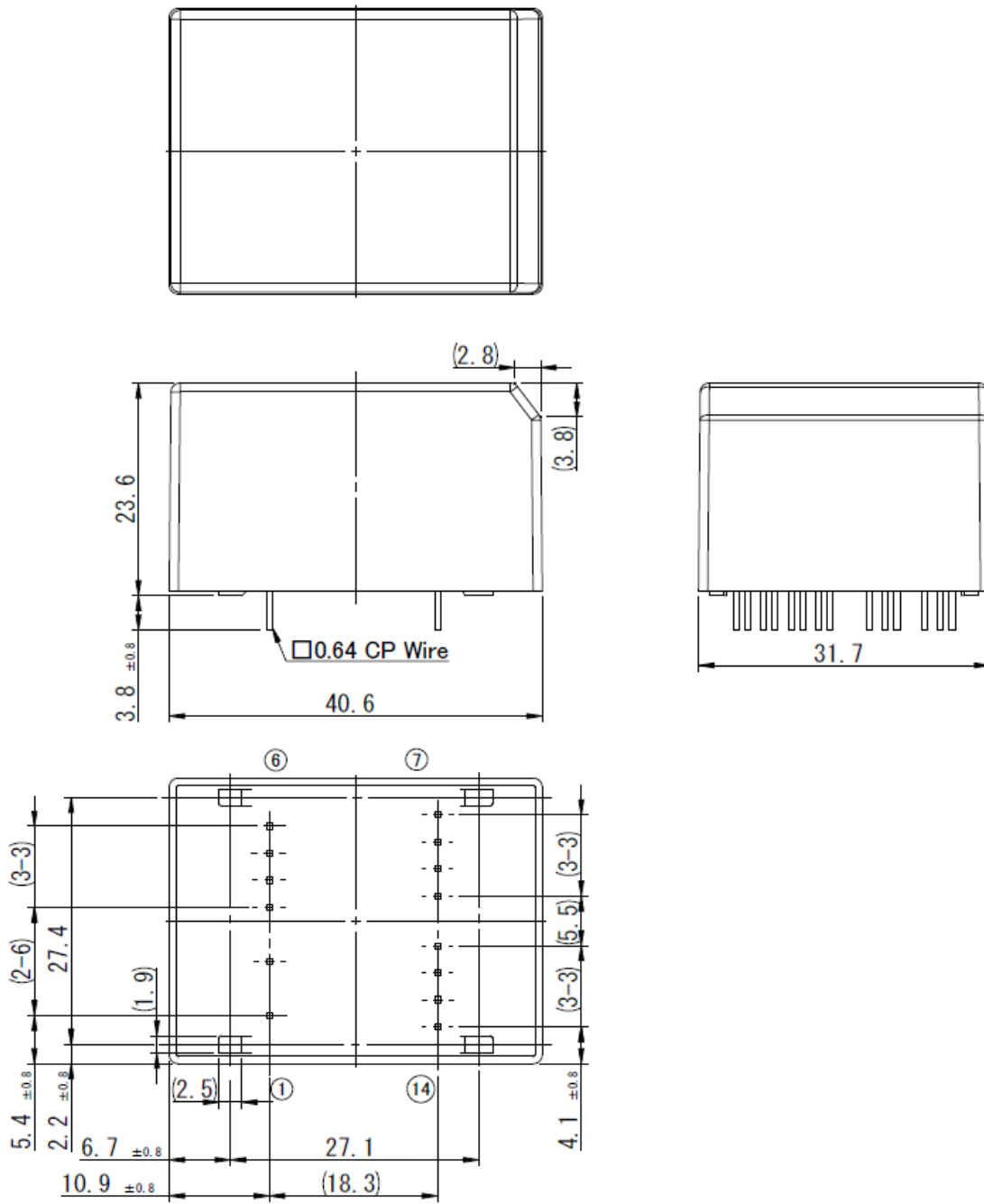
Reduce the load current according to the following input voltage derating table.



■ Typical characteristics Ta=25°C

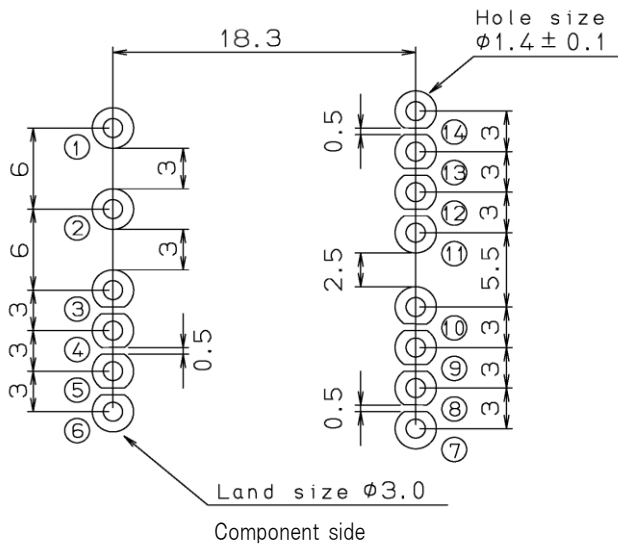


■ Outline dimensional drawing



Note :1.The dimensional tolerance without directions is $\pm 0.5\text{mm}$.

Unit : mm

Recommended hole diameter and land size


※ The round pulling out figure is a pin numbering.

Terminal function and connection

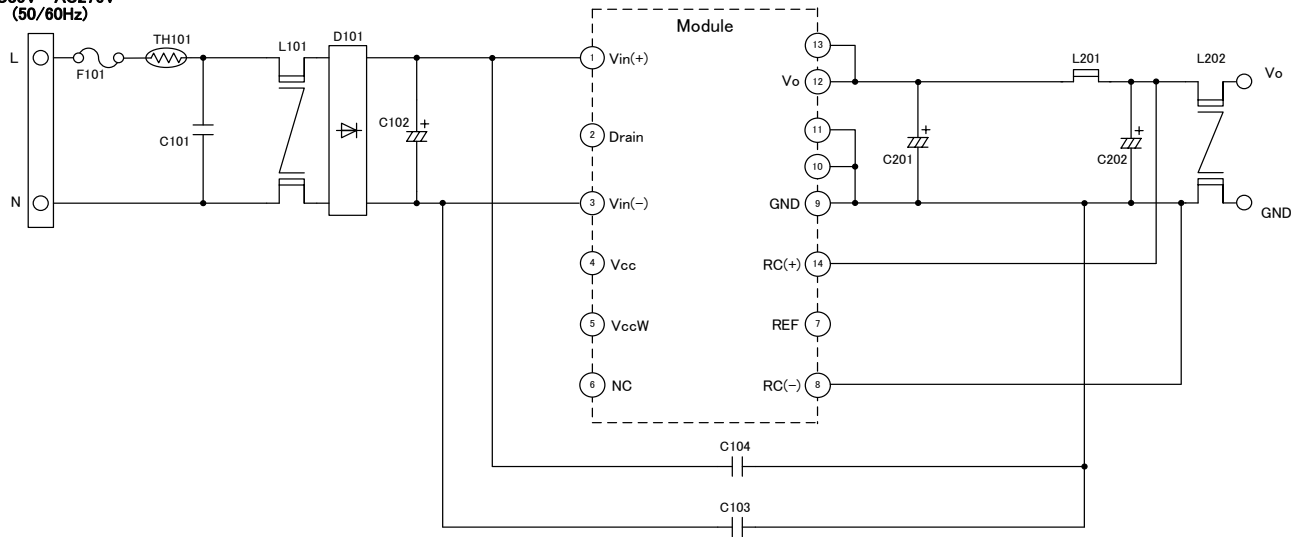
Primaries

| Pin No. | Name | Explanation of terminals |
|---------|--------|--|
| 1 | Vin(+) | DC voltage input terminal (+) |
| 2 | Drain | Terminal for noise adjustment |
| 3 | Vin(-) | DC voltage input terminal (-) |
| 4 | Vcc | Terminal for start-up time adjustment |
| 5 | VccW | Auxiliary winding terminal ※Don't connect with other circuits. |
| 6 | N.C. | Unused terminal ※Don't connect with other circuits. |

Secondaries

| Pin No. | Name | Explanation of terminals |
|---------|-------|---------------------------------------|
| 7 | REF | Output voltage adjustment terminal |
| 8 | RC(-) | Output voltage detection terminal (-) |
| 9 | GND | Output terminal (-) |
| 10 | GND | Output terminal (-) |
| 11 | GND | Output terminal (-) |
| 12 | Vo | Output1 terminal (+) |
| 13 | Vo | Output1 terminal (+) |
| 14 | RC(+) | Output voltage detection terminal (+) |

Application circuit example

 AC85V~AC276V
(50/60Hz)


| Symbol | Description | Part No. | Manufacturer |
|--------|-------------|------------------|---------------|
| D101 | Diode | D2SB60A | SHINDENGEN |
| L101 | Inductor | LF-4Z-E193H | KORIN |
| L201 | Inductor | PC8Z-2R2N | KORIN |
| L202 | Inductor | 0-5127-15-TM | KORIN |
| C101 | Capacitor | LE104-MX | OKAYA |
| C102 | Capacitor | 450BXW82M | RUBYCON |
| C103 | Capacitor | CD75-B2GA331K | TDK |
| C104 | Capacitor | CD75-B2GA331K | TDK |
| C201 | Capacitor | 63ZLJ270M | RUBYCON |
| C202 | Capacitor | 63ZLJ100M | RUBYCON |
| F101 | Fuse | FIH 250V 2.0A | NIPPON-SEISEN |
| TH101 | Thermistor | SCK102R55AMIA499 | THINKING |

※Mount the fuse on the input Live side to ensure safety without fail.
Recommended parts:FIH 250V 2.0A~3.15A / NIPPON-SEISEN

※Depend on the applying safety standard, please add the discharge resistance in paralell with C101.

■ Usage cautions

- Always mount fuse on the Live side of input for ensuring safety because the fuse is not built-in the product. Please select the fuse considering conditions such as steady current, inrush current, and ambient temperature at your own responsibility.
 ※Recommended parts: FIH 250V 2.0A~3.15A / NIPPON-SEISEN
 When using a fuse having large rated current or high capacity input electrolytic condenser, by combining another converter and input line and input electrolytic condenser, fuse may not blow off in the case of abnormality. Do not combine high voltage line and fuse.

■ Important notice

- The content of this document is subject to change without prior notice for the purpose of improvements, etc. Ensure that you are in possession of the most up-to-date information when using this product.
- The operation examples and circuit examples shown in this document are for reference purposes only, and TAMURA Corporation disclaims all responsibility for any violations of industrial property rights, intellectual property rights and any other rights owned by TAMURA Corporation or third parties that these may entail.
- The circuit examples and part constants listed in this document are provided as reference for the verification of characteristics. You are to perform design, verification, and judgment at your own responsibility, taking into account the various conditions.
- TAMURA Corporation constantly strives to improve quality and reliability, but malfunction or failures are bound to occur with some probability in power products. To ensure that failures do not cause accidents resulting in injury or death, fire accidents, social damage, and so on, you are to thoroughly verify the safety of their designs in devices and/or systems, at your own responsibility.
- This product is intended for use in consumer electronics (electric home appliances, business equipment, Information equipment, communication terminal equipment, measuring devices, and so on.) If considering use of this product in equipment or devices that require high reliability (medical devices, transportation equipment, traffic signal control equipment, fire and crime prevention equipment, aeronautics and space devices, nuclear power control, fuel control, in-vehicle equipment, safety devices, and so on), please consult a TAMURA sales representative in advance. Do not use this product for such applications without written permission from TAMURA Corporation.
- This product is intended for use in environments where consumer electronics are commonly used. It is not designed for use in special environments such as listed below, and if such use is considered, you are to perform thorough safety and reliability checks at your own responsibility.
 - Use in liquids such as water, oil, chemical solutions, or organic solvents, and use in locations where the product will be exposed to such liquids.
 - Use that involves exposure to direct sunlight, outdoor exposure, or dusty conditions.
 - Use in locations where corrosive gases such as salt air, C12, H2S, NH3, SO2, or NO2, are present.
 - Use in environments with strong static electricity or electromagnetic radiation.
 - Use that involves placing inflammable material next to the product.
 - Use of this product either sealed with a resin filling or coated with resin.
 - Use of water or a water soluble detergent for flux cleaning.
 - Use in locations where condensation is liable to occur.
- This product is not designed to resist radiation.
- This product is not designed to be connected in parallel.
Do not operate this product in a parallel, or N+1 redundant configuration.

- Do not use or otherwise make available the TAMURA products or the technology described in this document for any military purposes, including without limitation, for the design, development, use, stockpiling or manufacturing of mass destruction weapons (e.g. nuclear, chemical, or biological weapons or missile technology products).
When exporting and re-exporting the products or technology described in this document, you should comply with the applicable export control laws and regulations and follow the procedures required by such laws and regulations including, without limitation, Japan -Foreign Exchange and Foreign Trade Control Law and U.S.- Export Administration Regulations.
The TAMURA products and related technology should not be used for or incorporated into any products or systems whose manufacture, use, or sale is prohibited under any applicable domestic or foreign laws or regulations.

- Please contact your TAMURA sales office for details as to environmental matters such as the RoHS compatibility of product.
Please use TAMURA products in compliance with all applicable laws and regulations that regulate the inclusion or use of controlled substances, including without limitation, the EU RoHS Directive.
TAMURA assumes no liability for damages or losses occurring as a result of your noncompliance with applicable laws and regulations.

- TAMURA assumes no liability for damages or losses incurred by you or third parties as a result of unauthorized use of TAMURA products.

- This document and any information herein may not be reproduced in whole or in part without prior written permission from TAMURA.

Данный компонент на территории Российской Федерации

Вы можете приобрести в компании MosChip.

Для оперативного оформления запроса Вам необходимо перейти по данной ссылке:

<http://moschip.ru/get-element>

Вы можете разместить у нас заказ для любого Вашего проекта, будь то серийное производство или разработка единичного прибора.

В нашем ассортименте представлены ведущие мировые производители активных и пассивных электронных компонентов.

Нашей специализацией является поставка электронной компонентной базы двойного назначения, продукции таких производителей как XILINX, Intel (ex.ALTERA), Vicor, Microchip, Texas Instruments, Analog Devices, Mini-Circuits, Amphenol, Glenair.

Сотрудничество с глобальными дистрибьюторами электронных компонентов, предоставляет возможность заказывать и получать с международных складов практически любой перечень компонентов в оптимальные для Вас сроки.

На всех этапах разработки и производства наши партнеры могут получить квалифицированную поддержку опытных инженеров.

Система менеджмента качества компании отвечает требованиям в соответствии с ГОСТ Р ИСО 9001, ГОСТ РВ 0015-002 и ЭС РД 009

Офис по работе с юридическими лицами:

105318, г.Москва, ул.Щербаковская д.3, офис 1107, 1118, ДЦ «Щербаковский»

Телефон: +7 495 668-12-70 (многоканальный)

Факс: +7 495 668-12-70 (доб.304)

E-mail: info@moschip.ru

Skype отдела продаж:

moschip.ru

moschip.ru_4

moschip.ru_6

moschip.ru_9