

FEATURES

- Wideband switch: -3 dB @ 4 GHz
- Absorptive/reflective switches
- High off isolation (43 dB @ 1 GHz)
- Low insertion loss (0.8 dB @ 1 GHz)
- Single 1.65 V to 2.75 V power supply
- CMOS/LVTTL control logic
- 8-lead MSOP and tiny 3 mm \times 3 mm LFCSP packages
- Low power consumption (<1 μ A)

APPLICATIONS

- Wireless communications
- General-purpose RF switching
- Dual-band applications
- High speed filter selection
- Digital transceiver front end switch
- IF switching
- Tuner modules
 - Antenna diversity switching

GENERAL DESCRIPTION

The ADG918/ADG919 are wideband switches using a CMOS process to provide high isolation and low insertion loss to 1 GHz. The ADG918 is an absorptive (matched) switch having 50 Ω terminated shunt legs, whereas the ADG919 is a reflective switch. These devices are designed such that the isolation is high over the dc to 1 GHz frequency range. They have on-board CMOS control logic, thus eliminating the need for external controlling circuitry. The control inputs are both CMOS and



Figure 2. Off Isolation vs. Frequency

03335-003

FUNCTIONAL BLOCK DIAGRAMS

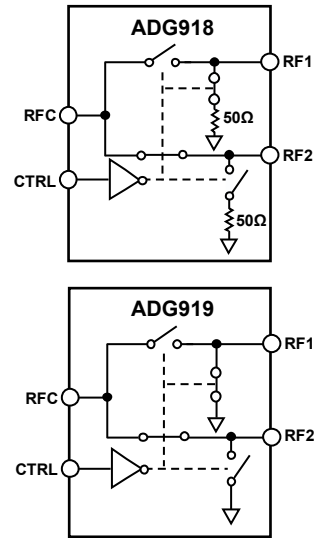


Figure 1.

03335-001

LVTTL compatible. The low power consumption of these CMOS devices makes them ideally suited to wireless and general-purpose high frequency switching applications.

PRODUCT HIGHLIGHTS

1. -43 dB off isolation @ 1 GHz.
2. 0.8 dB insertion loss @ 1 GHz.
3. Tiny 8-lead MSOP/LFCSP packages.

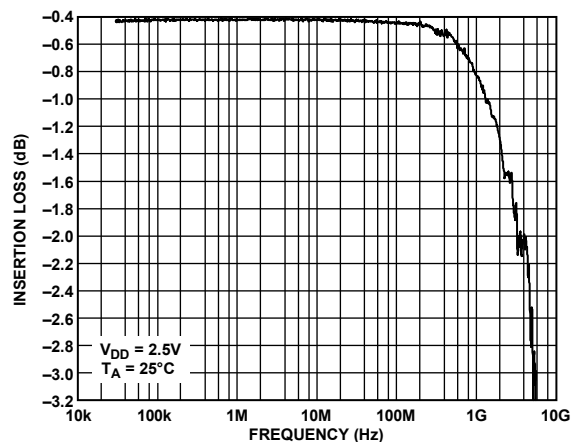


Figure 3. Insertion Loss vs. Frequency

03335-004

Rev. C

Information furnished by Analog Devices is believed to be accurate and reliable. However, no responsibility is assumed by Analog Devices for its use, nor for any infringements of patents or other rights of third parties that may result from its use. Specifications subject to change without notice. No license is granted by implication or otherwise under any patent or patent rights of Analog Devices. Trademarks and registered trademarks are the property of their respective owners.

TABLE OF CONTENTS

| | | | |
|--|---|---------------------------------------|----|
| Features | 1 | Terminology | 10 |
| Applications..... | 1 | Test Circuits..... | 11 |
| Functional Block Diagrams..... | 1 | Applications Information | 13 |
| General Description | 1 | Absorptive vs. Reflective Switch..... | 13 |
| Product Highlights | 1 | Wireless Metering..... | 13 |
| Revision History | 2 | Tuner Modules..... | 13 |
| Specifications..... | 3 | Filter Selection | 13 |
| Absolute Maximum Ratings..... | 5 | ADG9xx Evaluation Board | 14 |
| ESD Caution..... | 5 | Outline Dimensions | 15 |
| Pin Configuration and Function Descriptions..... | 6 | Ordering Guide | 16 |
| Typical Performance Characteristics | 7 | | |

REVISION HISTORY

9/08—Rev. B to Rev. C

| | |
|---------------------------------|----|
| Changes to Ordering Guide | 16 |
|---------------------------------|----|

8/08—Rev. A to Rev. B

| | |
|---|----|
| Changes to Table 1, AC Electrical Characteristics, Third Order Intermodulation Intercept..... | 3 |
| Updated Outline Dimensions | 15 |
| Changes to Ordering Guide | 16 |

9/04—Changed from Rev. 0 to Rev. A

| | |
|---|-----------|
| Updated Format..... | Universal |
| Change to Data Sheet Title..... | 1 |
| Change to Features | 1 |
| Change to Product Highlights | 1 |
| Changes to Specifications..... | 3 |
| Change to ADG9xx Evaluation Board section | 13 |
| Changes to Ordering Guide | 14 |

8/03 Revision 0: Initial Version

SPECIFICATIONS

$V_{DD} = 1.65\text{ V to }2.75\text{ V}$, $GND = 0\text{ V}$, input power = 0 dBm, all specifications T_{MIN} to T_{MAX} , unless otherwise noted. Temperature range for B Version: $-40^{\circ}\text{C to }+85^{\circ}\text{C}$.

Table 1.

| Parameter | Symbol | Conditions | B Version | | | Unit |
|--|--------------------|---|---------------|------------------|---------------|---------------|
| | | | Min | Typ ¹ | Max | |
| AC ELECTRICAL CHARACTERISTICS | | | | | | |
| Operating Frequency ² | | | dc | | 2 | GHz |
| 3 dB Frequency ³ | | | | | 4 | GHz |
| Input Power ³ | | 0 V dc bias | | | 7 | dBm |
| | | 0.5 V dc bias | | | 16 | dBm |
| Insertion Loss | S_{21}, S_{12} | DC to 100 MHz; $V_{DD} = 2.5\text{ V} \pm 10\%$ | | 0.4 | 0.7 | dB |
| | | 500 MHz; $V_{DD} = 2.5\text{ V} \pm 10\%$ | | 0.5 | 0.8 | dB |
| | | 1000 MHz; $V_{DD} = 2.5\text{ V} \pm 10\%$ | | 0.8 | 1.25 | dB |
| Isolation—RFC to RF1/RF2 (CP Package) | S_{21}, S_{12} | 100 MHz | 57 | 60 | | dB |
| | | 500 MHz | 46 | 49 | | dB |
| | | 1000 MHz | 36 | 43 | | dB |
| Isolation—RFC to RF1/RF2 (RM Package) | S_{21}, S_{12} | 100 MHz | 55 | 60 | | dB |
| | | 500 MHz | 43 | 47 | | dB |
| | | 1000 MHz | 34 | 37 | | dB |
| Isolation—RF1 to RF2 (Crosstalk) (CP Package) | S_{21}, S_{12} | 100 MHz | 55 | 58 | | |
| | | 500 MHz | 41 | 44 | | |
| | | 1000 MHz | 31 | 37 | | |
| Isolation—RF1 to RF2 (Crosstalk) (RM Package) | S_{21}, S_{12} | 100 MHz | 54 | 57 | | |
| | | 500 MHz | 39 | 42 | | |
| | | 1000 MHz | 31 | 33 | | |
| Return Loss (On Channel) ³ | S_{11}, S_{22} | DC to 100 MHz | 21 | 27 | | dB |
| | | 500 MHz | 22 | 27 | | dB |
| | | 1000 MHz | 22 | 26 | | dB |
| Return Loss (Off Channel) ³ ADG918 | S_{11}, S_{22} | DC to 100 MHz | 18 | 23 | | dB |
| | | 500 MHz | 17 | 21 | | dB |
| | | 1000 MHz | 16 | 20 | | dB |
| On Switching Time ³ | t_{ON} | 50% CTRL to 90% RF | | 6.6 | 10 | ns |
| Off Switching Time ³ | t_{OFF} | 50% CTRL to 10% RF | | 6.5 | 9.5 | ns |
| Rise Time ³ | t_{RISE} | 10% to 90% RF | | 6.1 | 9 | ns |
| Fall Time ³ | t_{FALL} | 90% to 10% RF | | 6.1 | 9 | ns |
| 1 dB Compression ³ | $P_{-1\text{ dB}}$ | 1000 MHz | | 17 | | dBm |
| Third Order Intermodulation Intercept | IP_3 | 900 MHz/901 MHz, 4 dBm | 28.5 | 36 | | dBm |
| Video Feedthrough ⁴ | | | | 2.5 | | mV p-p |
| DC ELECTRICAL CHARACTERISTICS | | | | | | |
| Input High Voltage | V_{INH} | $V_{DD} = 2.25\text{ V to }2.75\text{ V}$ | 1.7 | | | V |
| | V_{INH} | $V_{DD} = 1.65\text{ V to }1.95\text{ V}$ | 0.65 V_{CC} | | | V |
| Input Low Voltage | V_{INL} | $V_{DD} = 2.25\text{ V to }2.75\text{ V}$ | | | 0.7 | V |
| | V_{INL} | $V_{DD} = 1.65\text{ V to }1.95\text{ V}$ | | | 0.35 V_{CC} | V |
| Input Leakage Current | I_I | $0\text{ V} \leq V_{IN} \leq 2.75\text{ V}$ | | ± 0.1 | ± 1 | μA |

ADG918/ADG919

| Parameter | Symbol | Conditions | B Version | | | Unit |
|--------------------------------|--------------------|---|-----------|------------------|------|------|
| | | | Min | Typ ¹ | Max | |
| CAPACITANCE ³ | | | | | | |
| RF On Capacitance | C _{RF ON} | f = 1 MHz | | 1.6 | | pF |
| CTRL Input Capacitance | C _{CTRL} | f = 1 MHz | | 2 | | pF |
| POWER REQUIREMENTS | | | | | | |
| V _{DD} | | | 1.65 | | 2.75 | V |
| Quiescent Power Supply Current | I _{DD} | Digital inputs = 0 V or V _{DD} | | 0.1 | 1 | μA |

¹ Typical values are at V_{DD} = 2.5 V and 25°C, unless otherwise stated.

² Point at which insertion loss degrades by 1 dB.

³ Guaranteed by design, not subject to production test.

⁴ The dc transience at the output of any port of the switch when the control voltage is switched from high to low or low to high in a 50 Ω test setup, measured with 1 ns rise time pulses and 500 MHz bandwidth.

ABSOLUTE MAXIMUM RATINGS

$T_A = 25^\circ\text{C}$, unless otherwise noted.

Table 2.

| Parameter | Rating |
|---|--|
| V_{DD} to GND | -0.5 V to +4 V |
| Inputs to GND | -0.5 V to $V_{DD} + 0.3\text{ V}$ ¹ |
| Continuous Current | 30 mA |
| Input Power | 18 dBm |
| Operating Temperature Range | |
| Industrial (B Version) | -40°C to +85°C |
| Storage Temperature Range | -65°C to +150°C |
| Junction Temperature | 150°C |
| MSOP Package | |
| θ_{JA} Thermal Impedance | 206°C/W |
| LFCSP Package | |
| θ_{JA} Thermal Impedance (2-layer board) | 84°C/W |
| θ_{JA} Thermal Impedance (4-layer board) | 48°C/W |
| Lead Temperature, Soldering (10 sec) | 300°C |
| IR Reflow, Peak Temperature (<20 sec) | 235°C |
| ESD | 1 kV |

¹RF1 and RF2 off port inputs to ground: -0.5 V to $V_{DD} - 0.5\text{ V}$.

Stresses above those listed under Absolute Maximum Ratings may cause permanent damage to the device. This is a stress rating only; functional operation of the device at these or any other conditions above those indicated in the operational section of this specification is not implied. Exposure to absolute maximum rating conditions for extended periods may affect device reliability.

ESD CAUTION



ESD (electrostatic discharge) sensitive device. Charged devices and circuit boards can discharge without detection. Although this product features patented or proprietary protection circuitry, damage may occur on devices subjected to high energy ESD. Therefore, proper ESD precautions should be taken to avoid performance degradation or loss of functionality.

ADG918/ADG919

PIN CONFIGURATION AND FUNCTION DESCRIPTIONS



Figure 4. 8-Lead MSOP (RM-8) and 8-Lead 3 mm x 3 mm LFCSP (CP-8); Exposed Pad Tied to Substrate, GND

Table 3. Pin Function Descriptions

| Pin No. | Mnemonic | Function |
|---------|-----------------|--|
| 1 | V _{DD} | Power Supply Input. These parts can be operated from 1.65 V to 2.75 V, and V _{DD} should be decoupled to GND. |
| 2 | CTRL | Logic Control Input. See Table 4. |
| 3, 6, 7 | GND | Ground Reference Point for All Circuitry on the Part. |
| 4 | RFC | COMMON RF Port for Switch. |
| 5 | RF2 | RF2 Port. |
| 8 | RF1 | RF1 Port. |

Table 4. Truth Table

| CTRL | Signal Path |
|------|-------------|
| 0 | RF2 to RFC |
| 1 | RF1 to RFC |

TYPICAL PERFORMANCE CHARACTERISTICS



Figure 5. Insertion Loss vs. Frequency over Supplies (RF1/RF2, S12, and S21)



Figure 8. Insertion Loss vs. Frequency over Temperature (RF1/RF2, S12, and S21)



Figure 6. Insertion Loss vs. Frequency over Supplies (RF1/RF2, S12, and S21) (Zoomed Figure 5 Plot)

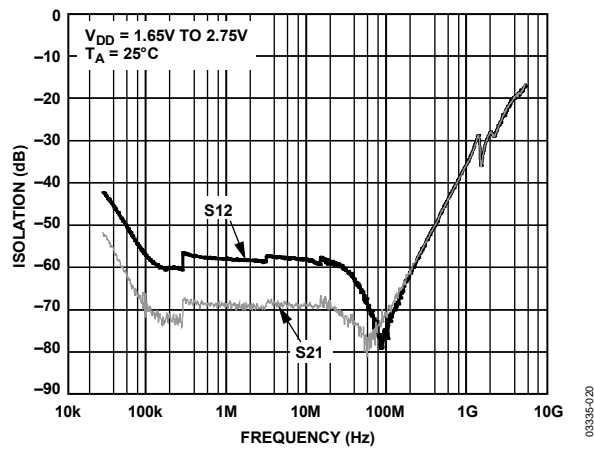


Figure 9. Isolation vs. Frequency over Supplies (RF1/RF2, ADG918)

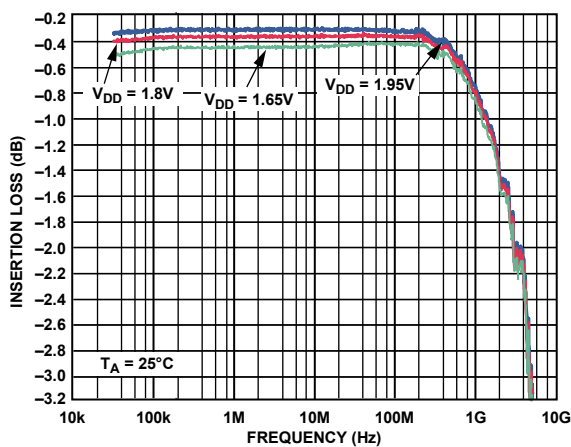


Figure 7. Insertion Loss vs. Frequency over Supplies (RF1/RF2, S12, and S21)



Figure 10. Isolation vs. Frequency over Supplies (RF1/RF2, ADG919)

ADG918/ADG919



03335-023

Figure 11. Isolation vs. Frequency over Temperature (RF1/RF2, ADG919)

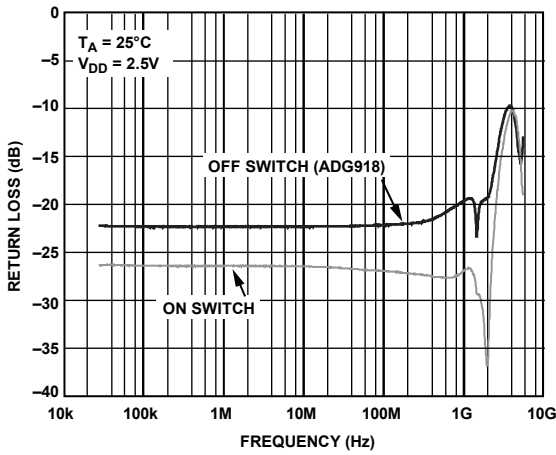


CH1 = CTRL = 1V/DIV
CH2 = RF1 = 100mV/DIV
CH3 = RF2 = 100mV/DIV

T_{RISE} = 6.1ns
T_{FALL} = 6.1ns

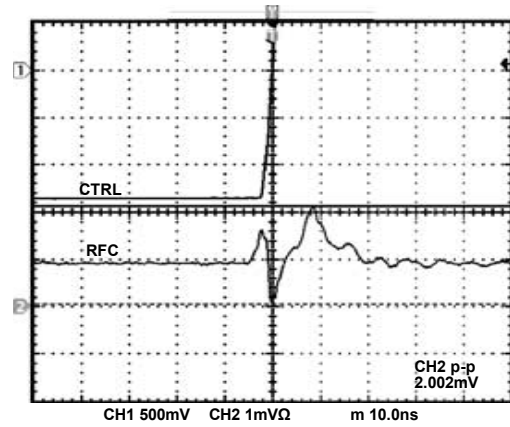
03335-024

Figure 14. Switch Timing



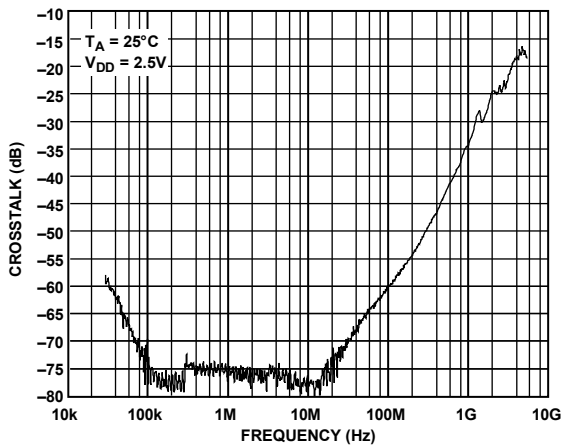
03335-026

Figure 12. Return Loss vs. Frequency (RF1/RF2, S11)



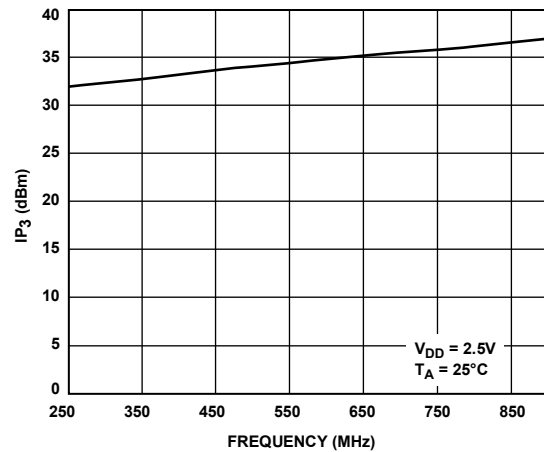
03335-027

Figure 15. Video Feedthrough



03335-028

Figure 13. Crosstalk vs. Frequency (RF1/RF2, S12, S21)



03335-029

Figure 16. IP3 vs. Frequency



Figure 17. P-1 dB vs. Frequency

TERMINOLOGY

V_{DD}

Most positive power supply potential.

I_{DD}

Positive supply current.

GND

Ground (0 V) reference.

CTRL

Logic control input.

V_{INL}

Maximum input voltage for Logic 0.

V_{INH}

Minimum input voltage for Logic 1.

I_{INL} (I_{INH})

Input current of the digital input.

C_{IN}

Digital input capacitance.

t_{ON}

Delay between applying the digital control input and the output switching on.

t_{OFF}

Delay between applying the digital control input and the output switching off.

t_{RISE}

Rise time; time for the RF signal to rise from 10% to 90% of the on level.

t_{FALL}

Fall time; time for the RF signal to fall from 90% to 10% of the on level.

Off Isolation

The attenuation between the input and output ports of the switch when the switch control voltage is in the off condition.

Insertion Loss

The attenuation between the input and output ports of the switch when the switch control voltage is in the on condition.

P_{-1 dB}

1 dB compression point. The RF input power level at which the switch insertion loss increases by 1 dB over its low level value. It is a measure of how much power the on switch can handle before the insertion loss increases by 1 dB.

IP₃

Third order intermodulation intercept. This is a measure of the power in false tones that occur when closely spaced tones are passed through a switch, whereby the nonlinearity of the switch causes these false tones to be generated.

Return Loss

The amount of reflected power relative to the incident power at a port. Large return loss indicates good matching. By measuring return loss, the VSWR (voltage standing wave ratio) can be calculated from conversion charts. VSWR indicates the degree of matching present at a switch RF port.

Video Feedthrough

Spurious signals present at the RF ports of the switch when the control voltage is switched from high to low or low to high without an RF signal present.

TEST CIRCUITS

Setups for the ADG918 are similar.



Figure 18. Switch Timing: t_{ON} , t_{OFF}



Figure 21. Insertion Loss



Figure 19. Switch



Figure 22. Crosstalk



Figure 20. Off Isolation

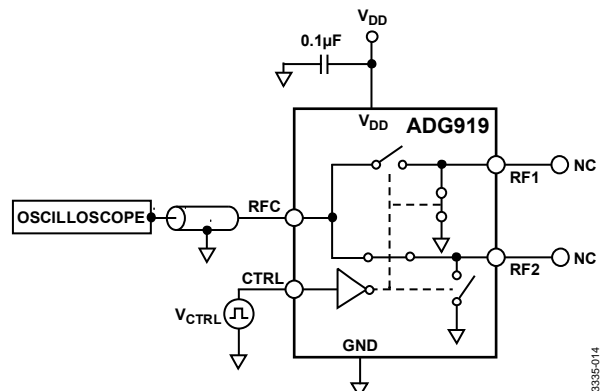


Figure 23. Video Feedthrough

ADG918/ADG919

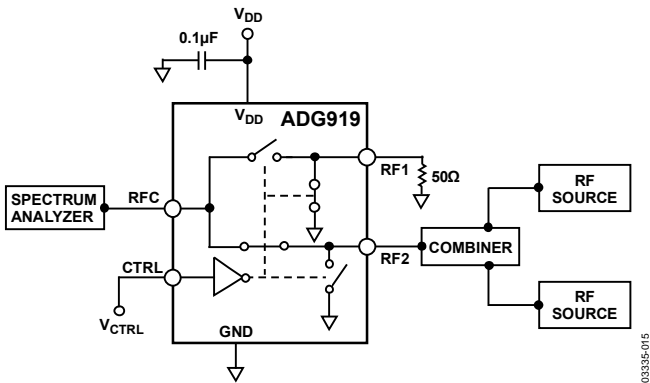


Figure 24. IP_3

03335-015

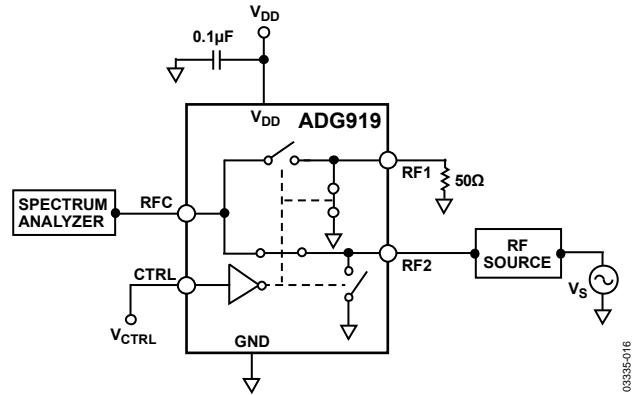


Figure 25. $P_{-1\text{ dB}}$

03335-016

APPLICATIONS INFORMATION

The ADG918/ADG919 are ideal solutions for low power, high frequency applications. The low insertion loss, high isolation between ports, low distortion, and low current consumption of these parts make them excellent solutions for many high frequency switching applications. The most obvious application is in a transmit/receive block, as shown in the wireless metering block diagram in Figure 26.

Other applications include switching between high frequency filters, an ASK generator, an FSK generator, and an antenna diversity switch in many tuner modules.

ABSORPTIVE VS. REFLECTIVE SWITCH

The ADG918 is an absorptive (matched) switch with 50 Ω terminated shunt legs, and the ADG919 is a reflective switch with 0 Ω terminated shunts to ground. The ADG918 absorptive switch has a good VSWR on each port, regardless of the switch mode. An absorptive switch should be used when there is a need for a good VSWR that is looking into the port but not passing the through signal to the common port. The ADG918 is therefore ideal for applications that require minimum reflections back to the RF source. It also ensures that the maximum power is transferred to the load.

The ADG919 reflective switch is suitable for applications where high off port VSWR does not matter and the switch has some other desired performance feature. It can be used in many applications, including high speed filter selection. In most cases, an absorptive switch can be used instead of a reflective switch, but not vice versa.

WIRELESS METERING

The ADG918 can be used in wireless metering applications. It can be used in conjunction with the ADF7020 transceiver IC for

a utility metering transceiver application, providing the required isolation between the transmit and receive signals. The SPDT configuration isolates the high frequency receive signal from the high frequency transmit.



Figure 26. Wireless Metering

TUNER MODULES

The ADG918 can be used in a tuner module to switch between the cable TV input and the off-air antenna. This part is also ideal for use as an antenna diversity switch, switching different antenna to the tuner.



Figure 27. Tuner Modules

FILTER SELECTION

The ADG919 can be used as a 2:1 demultiplex to switch high frequency signals between different filters and also to multiplex the signal to the output.



Figure 28. Filter Selection

ADG9xx EVALUATION BOARD

The ADG9xx evaluation board allows designers to evaluate the high performance wideband switches with a minimum of effort.

In addition to the evaluation board, the user requires only a power supply and a network analyzer. An application note is available with the evaluation board and gives complete information about operating the evaluation board.

The RFC port (see Figure 29) is connected through a $50\ \Omega$ transmission line to the top left SMA connector J1. RF1 and RF2 are connected through $50\ \Omega$ transmission lines to the top two SMA connectors, J2 and J3 respectively. A through transmission line connects J4 and J5 and is used to estimate the loss of the PCB over the environmental conditions being evaluated.

The board is constructed of a 4-layer, FR4 material with a dielectric constant of 4.3 and an overall thickness of 0.062 inches. Two ground layers with grounded planes provide ground for the RF transmission lines. The transmission lines were designed using a coplanar waveguide with ground plane model using a trace width of 0.052 inches, a clearance to ground plane of 0.030 inches, a dielectric thickness of 0.029 inches, and a metal thickness of 0.014 inches.

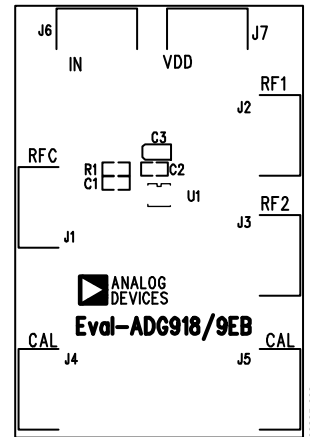


Figure 29. ADG9xx Evaluation Board Top View

OUTLINE DIMENSIONS



COMPLIANT TO JEDEC STANDARDS MO-187-AA

Figure 30. 8-Lead Mini Small Outline Package [MSOP] (RM-8)

Dimensions shown in millimeters

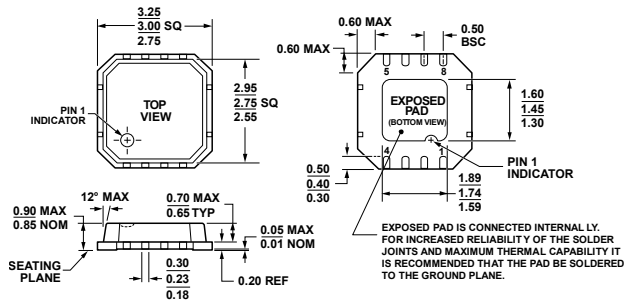


Figure 31. 8-Lead Lead Frame Chip Scale Package [LFCS_P_VD] 3 mm x 3 mm Body, Very Thin, Dual Lead (CP-8-2)

Dimensions shown in millimeters

ADG918/ADG919

ORDERING GUIDE

| Model | Temperature Range | Package Description | Package Option | Branding |
|--------------------------------|-------------------|---|----------------|----------|
| ADG918BRM | -40°C to +85°C | 8-Lead Mini Small Outline Package (MSOP) | RM-8 | W4B |
| ADG918BRM-500RL7 | -40°C to +85°C | 8-Lead Mini Small Outline Package (MSOP) | RM-8 | W4B |
| ADG918BRM-REEL | -40°C to +85°C | 8-Lead Mini Small Outline Package (MSOP) | RM-8 | W4B |
| ADG918BRM-REEL7 | -40°C to +85°C | 8-Lead Mini Small Outline Package (MSOP) | RM-8 | W4B |
| ADG918BRMZ ¹ | -40°C to +85°C | 8-Lead Mini Small Outline Package (MSOP) | RM-8 | W4B# |
| ADG918BRMZ-500RL7 ¹ | -40°C to +85°C | 8-Lead Mini Small Outline Package (MSOP) | RM-8 | W4B# |
| ADG918BRMZ-REEL ¹ | -40°C to +85°C | 8-Lead Mini Small Outline Package (MSOP) | RM-8 | W4B# |
| ADG918BRMZ-REEL7 ¹ | -40°C to +85°C | 8-Lead Mini Small Outline Package (MSOP) | RM-8 | W4B# |
| ADG918BCP-500RL7 | -40°C to +85°C | 8-Lead Lead Frame Chip Scale Package (LFCSP_VD) | CP-8-2 | W4B |
| ADG918BCP-REEL7 | -40°C to +85°C | 8-Lead Lead Frame Chip Scale Package (LFCSP_VD) | CP-8-2 | W4B |
| ADG918BCPZ-500RL7 ¹ | -40°C to +85°C | 8-Lead Lead Frame Chip Scale Package (LFCSP_VD) | CP-8-2 | W4B# |
| ADG918BCPZ-REEL7 ¹ | -40°C to +85°C | 8-Lead Lead Frame Chip Scale Package (LFCSP_VD) | CP-8-2 | W4B# |
| ADG919BRM | -40°C to +85°C | 8-Lead Mini Small Outline Package (MSOP) | RM-8 | W5B |
| ADG919BRM-500RL7 | -40°C to +85°C | 8-Lead Mini Small Outline Package (MSOP) | RM-8 | W5B |
| ADG919BRM-REEL | -40°C to +85°C | 8-Lead Mini Small Outline Package (MSOP) | RM-8 | W5B |
| ADG919BRM-REEL7 | -40°C to +85°C | 8-Lead Mini Small Outline Package (MSOP) | RM-8 | W5B |
| ADG919BRMZ ¹ | -40°C to +85°C | 8-Lead Mini Small Outline Package (MSOP) | RM-8 | S1X |
| ADG919BRMZ-REEL ¹ | -40°C to +85°C | 8-Lead Mini Small Outline Package (MSOP) | RM-8 | S1X |
| ADG919BRMZ-REEL7 ¹ | -40°C to +85°C | 8-Lead Mini Small Outline Package (MSOP) | RM-8 | S1X |
| ADG919BCP-500RL7 | -40°C to +85°C | 8-Lead Lead Frame Chip Scale Package (LFCSP_VD) | CP-8-2 | W5B |
| ADG919BCP-REEL7 | -40°C to +85°C | 8-Lead Lead Frame Chip Scale Package (LFCSP_VD) | CP-8-2 | W5B |
| ADG919BCPZ-REEL7 ¹ | -40°C to +85°C | 8-Lead Lead Frame Chip Scale Package (LFCSP_VD) | CP-8-2 | S1X |
| EVAL-ADG918EBZ ¹ | | Evaluation Board | | |
| EVAL-ADG919EBZ ¹ | | Evaluation Board | | |

¹ Z = RoHS Compliant Part, # denotes RoHS compliant product, may be top or bottom marked.

Данный компонент на территории Российской Федерации

Вы можете приобрести в компании MosChip.

Для оперативного оформления запроса Вам необходимо перейти по данной ссылке:

<http://moschip.ru/get-element>

Вы можете разместить у нас заказ для любого Вашего проекта, будь то серийное производство или разработка единичного прибора.

В нашем ассортименте представлены ведущие мировые производители активных и пассивных электронных компонентов.

Нашей специализацией является поставка электронной компонентной базы двойного назначения, продукции таких производителей как XILINX, Intel (ex.ALTERA), Vicor, Microchip, Texas Instruments, Analog Devices, Mini-Circuits, Amphenol, Glenair.

Сотрудничество с глобальными дистрибьюторами электронных компонентов, предоставляет возможность заказывать и получать с международных складов практически любой перечень компонентов в оптимальные для Вас сроки.

На всех этапах разработки и производства наши партнеры могут получить квалифицированную поддержку опытных инженеров.

Система менеджмента качества компании отвечает требованиям в соответствии с ГОСТ Р ИСО 9001, ГОСТ РВ 0015-002 и ЭС РД 009

Офис по работе с юридическими лицами:

105318, г.Москва, ул.Щербаковская д.3, офис 1107, 1118, ДЦ «Щербаковский»

Телефон: +7 495 668-12-70 (многоканальный)

Факс: +7 495 668-12-70 (доб.304)

E-mail: info@moschip.ru

Skype отдела продаж:

moschip.ru

moschip.ru_4

moschip.ru_6

moschip.ru_9