

## CMOS Photoelectric Smoke Detector ASIC with Interconnect and Timer Mode

### Features

- Internal Power-On Reset
- Low Quiescent Current Consumption
- ESD Protection on all Pins
- Interconnect up to 40 Detectors
- 10 Minute Timer for Sensitivity Control
- 75% Duty Cycle Horn Pattern
- Internal Low Battery and Chamber Test
- Compatible with Allegro A5358
- UL Recognized per File S24036

### General Description

The RE46C144 is a low-power, CMOS photoelectric-type smoke detector IC. With minimal external components, this circuit will provide all the required features for a photoelectric-type smoke detector.

The design incorporates a gain selectable photo amplifier for use with an infrared emitter/detector pair.

An internal oscillator strobes power to the smoke detection circuitry for 100  $\mu$ s every 10 seconds to keep standby current to a minimum. If smoke is sensed, the detection rate is increased to verify an Alarm condition. A High Gain mode is available for push-button chamber testing.

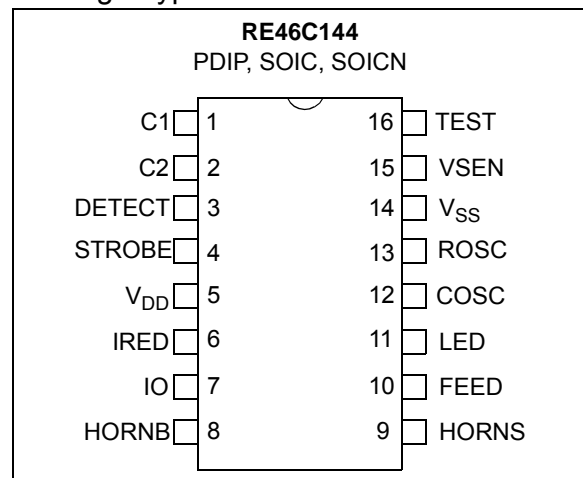
A check for a low-battery condition and chamber integrity is performed every 43 seconds, when in Standby. The alarm horn pattern utilizes a 75% duty cycle.

An interconnect pin allows multiple detectors to be connected such that when one units alarms, all units will sound.

An internal 10 minute timer can be used for a reduced sensitivity mode.

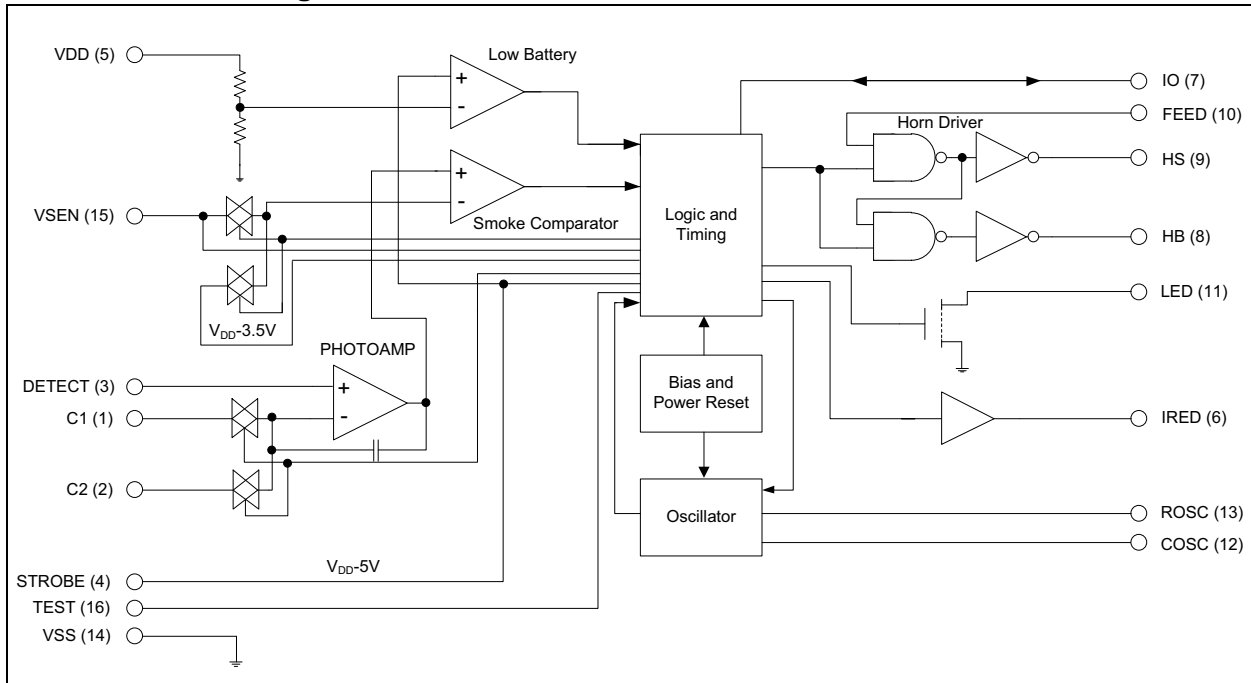
The RE46C144 device is recognized by Underwriters Laboratories for use in smoke detectors that comply with specification UL217 and UL268.

### Package Types

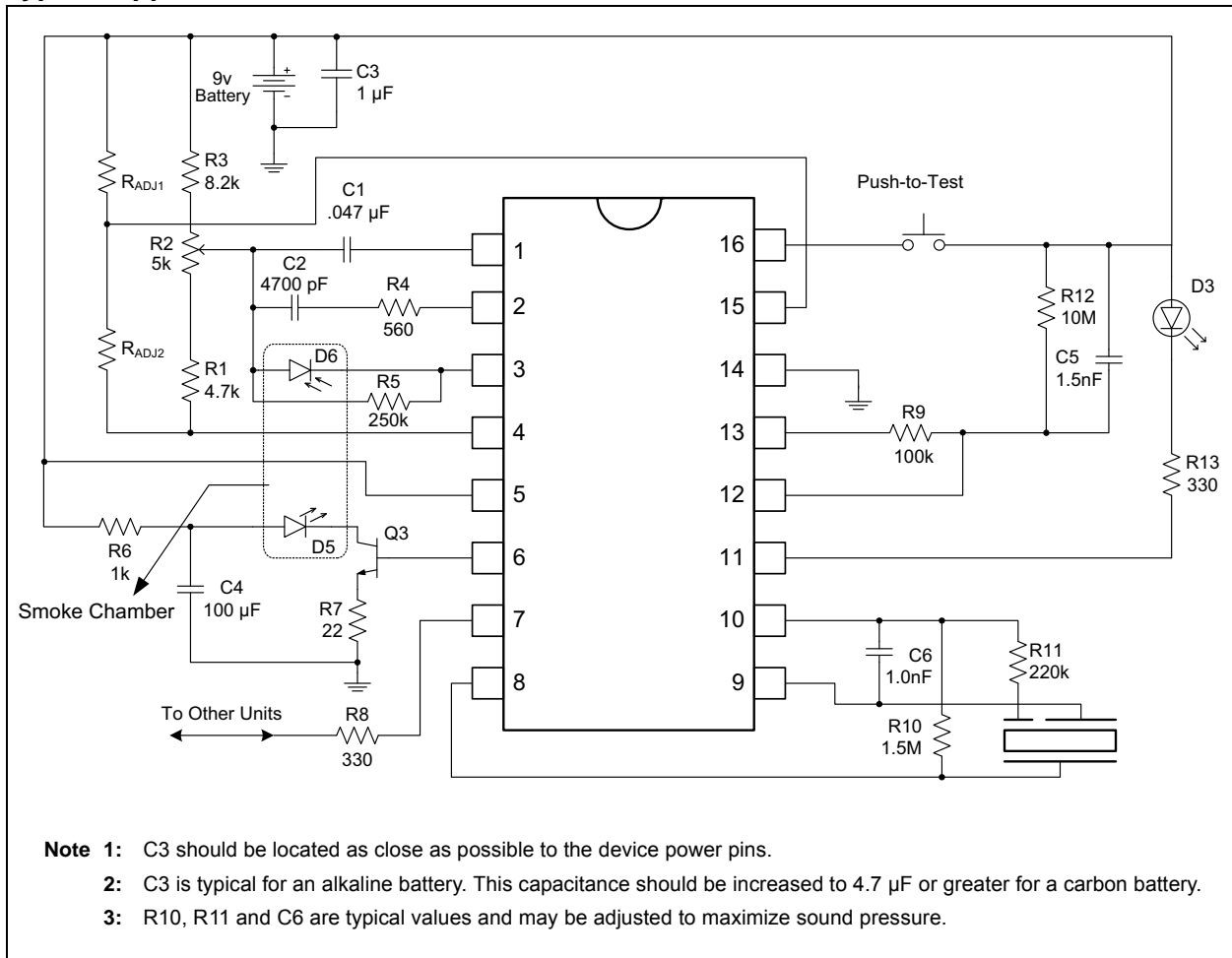


# RE46C144

## Functional Block Diagram



## Typical Application



## 1.0 ELECTRICAL CHARACTERISTICS

### 1.1 Absolute Maximum Ratings†

V <sub>DD</sub> .....	15V
Input Voltage Range Except FEED, IO.....	V <sub>IN</sub> = -3V to V <sub>DD</sub> +.3V
FEED Input Voltage Range.....	V <sub>INFD</sub> = -10 to +22V
IO Input Voltage Range.....	V <sub>IO1</sub> = -.3 to 15V
Input Current except FEED.....	I <sub>IN</sub> = 10 mA
Operating Temperature.....	T <sub>A</sub> = -25 to +75°C
Storage Temperature.....	T <sub>STG</sub> = -55 to +125°C
Maximum Junction Temperature.....	T <sub>J</sub> = +150°C

† **Notice:** Stresses above those listed under “Maximum ratings” may cause permanent damage to the device. This is a stress rating only and functional operation of the device at these or any other conditions above those indicated in the operation listings of this specification is not implied. Exposure to maximum rating conditions for extended periods may affect device reliability.

## DC ELECTRICAL CHARACTERISTICS

DC Electrical Characteristics: Unless otherwise indicated, all parameters apply at T <sub>A</sub> = -25°C to +75°C, V <sub>DD</sub> = 9V.							
Parameter	Symbol	Test Pin	Min.	Typ.	Max.	Units	Conditions
Supply Voltage	V <sub>DD</sub>	5	6	—	12	V	Operating
Supply Current	I <sub>DD1</sub>	5	—	4	6	µA	Configured as in <a href="#">Typical Application</a> , COSC=V <sub>SS</sub>
	I <sub>DD2</sub>	5	—	5.5	8	µA	Configured as in <a href="#">Typical Application</a> , V <sub>DD</sub> = 12V, COSC = V <sub>SS</sub>
	I <sub>DD3</sub>	5	—	—	2	mA	Configured as in <a href="#">Typical Application</a> , STROBE on, IRED off, V <sub>DD</sub> = 12V
	I <sub>DD4</sub>	5	—	—	3	mA	Configured as in <a href="#">Typical Application</a> , STROBE on, IRED on, V <sub>DD</sub> = 12V, <a href="#">Note 1</a>
Input Voltage High	V <sub>IH1</sub>	10	6.2	—	—	V	FEED
	V <sub>IH2</sub>	7	3.2	—	—	V	No Local Alarm, IO as input
	V <sub>IH3</sub>	15	1.6	—	—	V	V <sub>SEN</sub>
	V <sub>IH4</sub>	16	8.5	—	—	V	TEST
Input Voltage Low	V <sub>IL1</sub>	10	—	—	2.7	V	FEED
	V <sub>IL2</sub>	7	—	—	1.5	V	No Local Alarm, IO as Input
	V <sub>IL3</sub>	15	—	—	.5	V	V <sub>SEN</sub>
	V <sub>IL4</sub>	16	—	—	7	V	TEST
Input Leakage Low	I <sub>IL1</sub>	1, 2, 3	—	—	-100	nA	V <sub>DD</sub> = 12V, COSC = 12V, STROBE active
	I <sub>IL2</sub>	10, 12	—	—	-100	nA	V <sub>DD</sub> = 12V, V <sub>IN</sub> = V <sub>SS</sub>
	I <sub>IL3</sub>	15, 16	—	—	-1	µA	V <sub>DD</sub> = 12V, V <sub>IN</sub> = V <sub>SS</sub>
	I <sub>IFD</sub>	10	—	—	-50	µA	FEED = -10V

**Note 1:** Does not include Q3 emitter current.

**2:** Not production tested.

**3:** Typical values are for design information and are not ensured.

**4:** Limits over the specified temperature range are not production tested and are based on characterization data.

# RE46C144

## DC ELECTRICAL CHARACTERISTICS (CONTINUED)

DC Electrical Characteristics: Unless otherwise indicated, all parameters apply at $T_A = -25^{\circ}\text{C}$ to $+75^{\circ}\text{C}$ , $V_{DD} = 9\text{V}$ .							
Parameter	Symbol	Test Pin	Min.	Typ.	Max.	Units	Conditions
Input Leakage High	$I_{IH1}$	1, 2	—	—	100	nA	$V_{DD} = 12\text{V}$ , $V_{IN} = V_{DD}$ , STROBE active
	$I_{IH2}$	3, 10, 12	—	—	100	nA	$V_{DD} = 12\text{V}$ , $V_{IN} = V_{DD}$
	$I_{HFD}$	10	—	—	50	$\mu\text{A}$	FEED = 22V
Input Pull Down Current	$I_{PD1}$	16	.25	—	10	$\mu\text{A}$	$V_{IN} = V_{DD}$
	$I_{PD2}$	15	.1	.25	.5	$\mu\text{A}$	$V_{IN} = V_{DD}$
	$I_{PDIO1}$	7	20	—	80	$\mu\text{A}$	$V_{IN} = V_{DD}$
	$I_{PDIO2}$	7	—	—	140	$\mu\text{A}$	$V_{IN} = 15\text{V}$ , $V_{DD} = 12\text{V}$
Output Leakage Current Low	$I_{OZL1}$	11, 13	—	—	-1	$\mu\text{A}$	Output Off, Output = $V_{SS}$
Output Leakage Current High	$I_{OZH1}$	11, 13	—	—	1	$\mu\text{A}$	Output Off, Output = $V_{DD}$
Output Voltage Low	$V_{OL1}$	8, 9	—	—	1	V	$I_{OL} = 16\text{ mA}$ , $V_{DD} = 6.5\text{V}$
	$V_{OL2}$	13	—	.5	—	V	$I_{OL} = 5\text{ mA}$ , $V_{DD} = 6.5\text{V}$
	$V_{OL3}$	11	—	—	.6	V	$I_{OL} = 10\text{ mA}$ , $V_{DD} = 6.5\text{V}$
Output Voltage High	$V_{OH1}$	8, 9	5.5	—	—	V	$I_{OL} = -16\text{ mA}$ , $V_{DD} = 6.5\text{V}$
Output Current	$I_{IOH1}$	7	-4	—	-16	mA	Alarm, $V_{IO} = V_{DD} - 2\text{V}$ or $V_{IO} = 0\text{V}$
	$I_{IODMP}$	7	5	—	—	mA	At Conclusion of Local Alarm or Test, $V_{IO} = 1\text{V}$
Low Battery Alarm Voltage	$V_{LB}$	5	6.9	7.2	7.5	V	
Output Voltage	$V_{STOF}$	4	$V_{DD} - .1$	—	—	V	STROBE off, $V_{DD} = 12\text{V}$ , $I_{OUT} = -1\text{ }\mu\text{A}$
	$V_{STON}$	4	$V_{DD} - 5.25$	$V_{DD} - 5$	$V_{DD} - 4.75$	V	STROBE on, $V_{DD} = 9\text{V}$ , $I_{OUT} = 100\text{ }\mu\text{A}$ to $500\text{ }\mu\text{A}$
	$V_{IREDOF}$	6	—	—	.1	V	IRED off, $V_{DD} = 12\text{V}$ , $I_{OUT} = 1\text{ }\mu\text{A}$
	$V_{IREDON}$	6	2.85	3.1	3.35	V	IRED on, $V_{DD} = 9\text{V}$ , $I_{OUT} = 0$ to $-6\text{ mA}$ , $T_A = +25^{\circ}\text{C}$
Common Mode Voltage	$V_{CM1}$	1, 2, 3	.5	—	$V_{DD} - 2$	V	Local smoke, Push-to-Test or Chamber Test, <a href="#">Note 2</a>
Smoke Compare Reference	$V_{REF}$	—	$V_{DD} - 3.7$	—	$V_{DD} - 3.3$	V	Internal Reference
Temperature Coefficient	$T_{CST}$	4	—	.01	—	%/ $^{\circ}\text{C}$	$V_{DD} = 6\text{V}$ to $12\text{V}$ , STROBE Output Voltage
	$T_{CIRED}$	6	—	.3	—	%/ $^{\circ}\text{C}$	$V_{DD} = 6\text{V}$ to $12\text{V}$ , IRED Output Voltage
Line Regulation	$\Delta V_{STON}$	4, 5	—	-50	—	dB	Active, $V_{DD} = 6\text{V}$ to $12\text{V}$
	$\Delta V_{IREDON}$	6, 5	—	-30	—	dB	Active, $V_{DD} = 6\text{V}$ to $12\text{V}$

**Note 1:** Does not include Q3 emitter current.

**2:** Not production tested.

**3:** Typical values are for design information and are not ensured.

**4:** Limits over the specified temperature range are not production tested and are based on characterization data.

**TABLE 1-1: AC ELECTRICAL CHARACTERISTICS**

**AC Electrical Characteristics:** Unless otherwise indicated, all parameters apply at  $T_A = -25^{\circ}\text{C}$  to  $+75^{\circ}\text{C}$ ,  $V_{DD} = 9\text{V}$ ,  $V_{SS} = 0\text{V}$ , Component Values from [Typical Application](#);  $R_9 = 100\text{K}\Omega$ ,  $R_{12} = 10\text{M}\Omega$ ,  $C_5 = 1.5\text{nF}$ .

Parameter	Symbol	Test Pin	Min	Typ	Max	Units	Conditions
Oscillator Period	$T_{\text{POSC}}$	12	9.4	10.5	11.5	ms	No alarm condition
LED and STROBE On Time	$T_{\text{ON1}}$	11, 4	9.4	10.5	11.5	ms	Operating
LED Period	$T_{\text{PLED1}}$	11	39	43	47	s	Standby, no alarm
	$T_{\text{PLED2}}$	11	.6	.67	.74	s	Local alarm condition
	$T_{\text{PLED3}}$	11	9.6	10.75	11.8	s	Timer mode, no local alarm
	$T_{\text{PLED4}}$	11	LED IS NOT ON			s	Remote alarm only
STROBE and IRED Pulse Period	$T_{\text{PER1}}$	4, 6	9.6	10.75	11.8	s	Standby, no alarm
	$T_{\text{PER1A}}$	4, 6	2.42	2.7	2.96	s	Standby, after one valid smoke sample
	$T_{\text{PER1B}}$	4, 6	1.21	1.33	1.47	s	Standby, after two consecutive valid smoke samples
	$T_{\text{PER2}}$	4, 6	1.21	1.33	1.47	s	In Local Alarm (three consecutive valid smoke samples)
	$T_{\text{PER3}}$	4, 6	9.7	10.5	11.8	s	In Remote Alarm
	$T_{\text{PER4}}$	4, 6	300	336	370	ms	Push-button Test
	$T_{\text{PER5}}$	4, 6	39		47	s	Chamber Test or Low-battery Test, no alarms
IRED On Time	$T_{\text{ON2}}$	6	94	104	115	$\mu\text{s}$	Operating
Horn On Time	$T_{\text{HON1}}$	8, 9	227	252	277	ms	Operating, alarm condition, <a href="#">Note 1</a>
	$T_{\text{HON2}}$	8, 9	9.5	10.5	11.5	ms	Low Battery or Failed Chamber Test, no alarm
Horn Off Time	$T_{\text{HOF1}}$	8, 9	76	84	92	ms	Operating, Alarm Condition, <a href="#">Note 1</a>
	$T_{\text{HOF3}}$	8, 9	39	43	47	s	Low Battery or Failed Chamber Test, no alarm
IO Charge Dump Duration	$T_{\text{IODMP}}$	7	.91		1.46	s	At conclusion of local alarm or test
IO Delay	$T_{\text{IODLY1}}$	7		0		s	From start of local alarm to IO Active
IO Filter	$T_{\text{IOFILT}}$	7			600	ms	IO pulse-width ensured to be filtered. IO as input, no local alarm
Remote Alarm Delay	$T_{\text{IODLY2}}$	7	.75		1.65	s	No local alarm, from IO Active to Horn Active
Timer Period	$T_{\text{TPER}}$		7	8.5	10	Min	No alarm condition, <a href="#">Note 2</a>

**Note 1:** See timing diagram for Horn Temporal Pattern

- 2: During the Timer mode, the LED period is 10.5 seconds. The LED period will return to 43 seconds at the conclusion of the Timer mode.
- 3:  $T_{\text{POSC}}$  and  $T_{\text{ON2}}$  are 100% production tested. All other timing is guaranteed by functional testing.
- 4: Typical values are for design information and are not ensured.
- 5: Limits over the specified temperature range are not production tested and are based on characterization data.

# RE46C144

---

---

## TEMPERATURE CHARACTERISTICS

Electrical Specifications: Unless otherwise indicated, $V_{DD} = 9V$ , $V_{SS} = 0V$						
Parameters	Symbol	Min.	Typ.	Max.	Units	Conditions
<b>Temperature Ranges</b>						
Operating Temperature Range	$T_A$	-25	—	+75	°C	
Storage Temperature Range	$T_{STG}$	-55	—	+125	°C	
<b>Thermal Package Resistances</b>						
Thermal Resistance, 16L-PDIP	$\theta_{JA}$	—	70	—	°C/W	
Thermal Resistance, 16L-SOIC (150 mil.)	$\theta_{JA}$	—	86.1	—	°C/W	
Thermal Resistance, 16L-SOIC (300 mil.)	$\theta_{JA}$	—	80	—	°C/W	

## 2.0 PIN DESCRIPTION

The descriptions of the pins are listed in .

**TABLE 2-1: PIN FUNCTION TABLE**

RE46C144 PDIP, SOIC, SOICN	Symbol	Function
1	C1	High Gain Capacitor Pin
2	C2	Normal Gain Capacitor Pin
3	DETECT	Photo Diode Input
4	STROBE	Strobed Detection Negative Supply
5	V <sub>DD</sub>	Positive Power Supply
6	IREDD	Infrared Emitting Diode Pin
7	IO	Interconnect Pin
8	HB	Horn Brass, Inverted Output
9	HS	Horn Silver Output
10	FEED	Horn Feedback Pin
11	LED	LED Driver Pin
12	COSC	Oscillator Capacitor Input
13	ROSC	Oscillator Resistor Drive Low
14	V <sub>SS</sub>	Negative Power Supply
15	VSEN	HushTimer Sensitivity Pin
16	TEST	Test Pin

### 2.1 High/Normal Gain Capacitor Pins (C1, C2)

The capacitor connected to the C1 pin sets the photo amplifier gain (high) for the push-to-test and chamber sensitivity test. The size of this capacitor will depend on the chamber background reflections.  $A = 1 + (C1/10)$ , where C1 is expressed in pF. The gain should be <10000.

The capacitor connected to the C2 pin sets the photo amplifier gain (normal) during Standby. The value of this capacitor will depend on the smoke sensitivity required.  $A = 1 + (C2/10)$ , where C2 is expressed in pF.

### 2.2 Photo Diode Input (DETECT)

This input is normally connected to the cathode of an external photo diode operated at zero bias.

### 2.3 Strobed Detection Negative Supply (STROBE)

Regulated output voltage of V<sub>DD</sub>-5 which is active during a test for smoke. This output is the negative side of the photo amplifier reference circuitry.

### 2.4 Positive Power Supply (V<sub>DD</sub>)

The V<sub>DD</sub> pin is the device's positive power supply input.

### 2.5 Infrared Emitting Diode Pin (IREDD)

Provides a regulated pulsed output voltage pre-driver for the infrared emitter. This output usually drives the base of an NPN transistor.

### 2.6 Interconnect Pin (I/O)

This bidirectional pin provides the capability to interconnect many detectors in a single system. This pin has an internal pull-down device.

### 2.7 Horn Brass, Inverted Output (HB)

The HB pin is connected to the metal electrode of a piezoelectric transducer.

### 2.8 Horn Silver Output Pin (HS)

The HS pin is a complementary output to HB and connects to the ceramic electrode of the piezoelectric transducer.

# RE46C144

---

## 2.9 Horn Feedback Pin (FEED)

Usually this pin is connected to the feedback electrode through a current limiting resistor. If not used, this pin must be connected to  $V_{DD}$  or  $V_{SS}$ .

## 2.10 LED Driver Pin (LED)

This pin is an open drain NMOS output used to drive a visible LED.

## 2.11 Oscillator Capacitor Input (COSC)

A capacitor connected to this pin, with a parallel resistor, sets the internal clock low time, which is approximately the clock period.

## 2.12 Oscillator Resistor Drive Low (ROSC)

A resistor between this pin and COSC pin sets the internal clock high time. This also sets the IRED pulse width (100 - 200  $\mu$ s).

## 2.13 Hush Timer Sensitivity Pin (VSEN)

In Timer mode, this input pin can be used to set an external smoke comparator reference.

## 2.14 TEST Pin

This input is used to invoke two test modes and the timer mode. This input has an internal pull-down.



### 3.0 DEVICE DESCRIPTION

**Note:** All timing references are nominal. See electrical characteristics for limits.

#### 3.1 Standby Internal Timing

With the external components specified in the illustration [Typical Application](#) for ROSC and COSC, the internal oscillator has a nominal period of 10 ms. Normally the analog circuitry is powered down to minimize standby current (typically 4  $\mu$ A at 9V). Once every 11 seconds, the detection circuitry (normal gain) is powered up for 10 ms. Prior to completion of the 10 ms period, the IRED pulse is active for 100  $\mu$ s. At the conclusion of the 10 ms period, the photo amplifier is compared to an internal reference to determine the chamber status and latched. If a smoke condition is present, the period to the next detection decreases and additional checks are made. Three consecutive smoke detections will cause the device to go into alarm, and the horn circuit and interconnect will be active.

Once every 43 seconds, the status of the battery voltage is checked. This status is checked and latched at the conclusion of the LED pulse. In addition, once every 43 seconds the chamber is activated and, using the high gain mode (capacitor C1), a check of the chamber is made by amplifying background reflections. If either the low battery or the photo chamber test fails, the horn will chirp for 10 ms every 43 seconds.

The oscillator period is determined by the values of R9, R12 and C5 (see [Typical Application](#)). The oscillator period is as follows:

#### EQUATION 3-1:

$$T = T_R + T_F$$

Where:

$$T_R = .693 \times R12 \times C5$$

$$T_F = .693 \times R9 \times C5$$

#### 3.2 Smoke Detection Circuitry

A comparator compares the photo amp output to an internal reference voltage. If the required number of consecutive smoke conditions is met, the device will go into local alarm and the horn will be active. In local alarm, the C2 gain is internally increased by approximately 10% to provide alarm hysteresis.

#### 3.3 Push-to-Test Operation

If the Test input pin is activated ( $V_{IH}$ ), after one internal clock cycle, the smoke detection rate increases to once every 330 ms. In this mode, the high-gain capacitor C1 is selected, and background reflections are used to simulate a smoke condition. After the required consecutive detections, the device will go into a local alarm condition. When the Test input is deactivated ( $V_{IL}$ ) and after one clock cycle, the normal gain capacitor C1 is selected. The detection rate continues at once every 330 ms until three consecutive no smoke conditions are detected. At this point, the device returns to standby timing.

#### 3.4 LED Operation

In Standby, the LED is pulsed on for 10 ms every 43 seconds. In a local alarm condition or the push-to-test alarm, the LED pulse frequency is increased to once every .5 seconds. In the case of a remote alarm the LED not active. In the Timer mode of operation, the LED is pulsed on for 10 ms every 10 seconds.

#### 3.5 Interconnect Operation

The bidirectional I/O pin allows for interconnection of multiple detectors. In a local alarm condition, this pin is driven high immediately through a constant current source. Shorting this output to ground will not cause excessive current. The I/O is ignored as an input during a local alarm.

The I/O pin also has an NMOS discharge device that is active for 1 second after the conclusion of any type of local alarm. This device helps to quickly discharge any capacitance associated with the interconnect line.

If a remote active high signal is detected, the device goes into remote alarm and the horn will be active. Internal protection circuitry allows for the signaling unit to have a higher supply voltage than the signaled unit, without excessive current draw.

The interconnect input has a 670 ms nominal digital filter. This allows for interconnection to other types of alarms (carbon monoxide, for example) that may have a pulsed interconnect signal.

# RE46C144

## 3.6 Low Battery Detection

In Standby, an internal reference is compared to the voltage divided  $V_{DD}$  supply. A low battery status is latched at the conclusion of the LED pulse. The horn will chirp for 10 ms every 43 seconds, until the low battery condition no longer exists. The low battery test is not performed in a local or remote alarm condition.

The low battery notification does not sound in a local or remote alarm condition.

## 3.7 Chamber Fail Detection

In Standby, a chamber test is also performed every 43 seconds, by switching to the high gain capacitor C1 and sensing the photo chamber background reflections. Two consecutive chamber test failures will also cause the horn to chirp for 10 ms every 43 seconds. The low battery chirp occurs just before the LED pulse (see [Figure 3-1](#)). The chamber test and chamber test failure chirp occurs approximately 21 seconds after the LED pulse. The chamber tests are not performed in a local or remote alarm condition.

The chamber fail notification does not sound in a local or remote alarm condition.

## 3.8 Timer Mode

If resistors  $R_{ADJ1}$  and  $R_{ADJ2}$  are in place and a high-to-low transition occurs on the Test input, the device enters a 10 minute timer mode. In this mode, the smoke comparator reference is switched from the internal  $V_{DD} - 3.5V$  reference to the voltage that appears on VSEN (pin 15). This allows the sensitivity to be modified for the duration of the 10 minute timer period. The chamber test is performed in Timer mode.

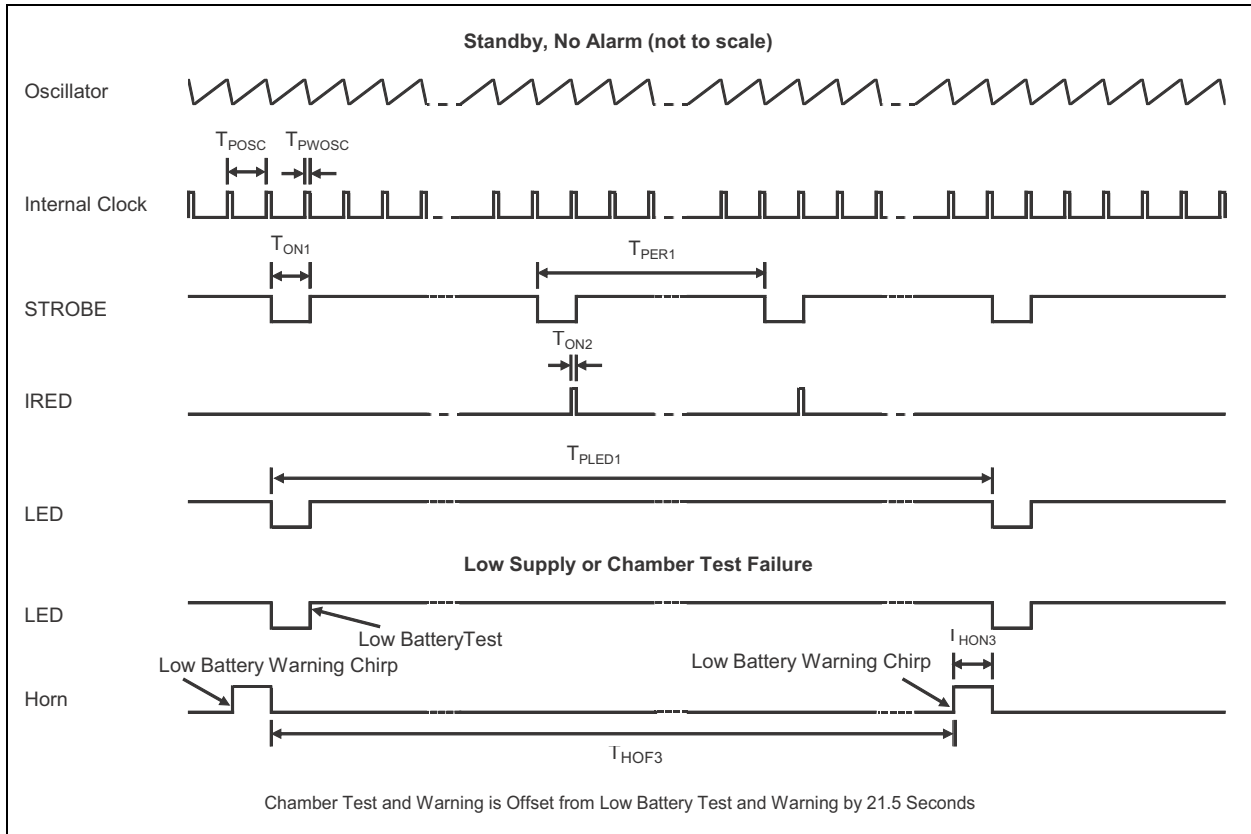
If VSEN is left unconnected or tied to  $V_{SS}$ , the Timer mode of operation is inhibited.

## 3.9 Diagnostic Mode

In addition to the normal function of the Test input, a special diagnostic mode is available to calibrate and test the smoke detector. Taking the Test pin below  $V_{SS}$  and sourcing  $\sim 300 \mu A$  out of the pin for one clock cycle will enable the diagnostic mode. In diagnostic mode, some of the pin functions are redefined. Refer to [Table 3-1](#) for redefined pin functions in the diagnostic mode. In addition, in this mode Strobe is always enabled, and the IRED is pulsed at the clock rate of 10 ms nominal.

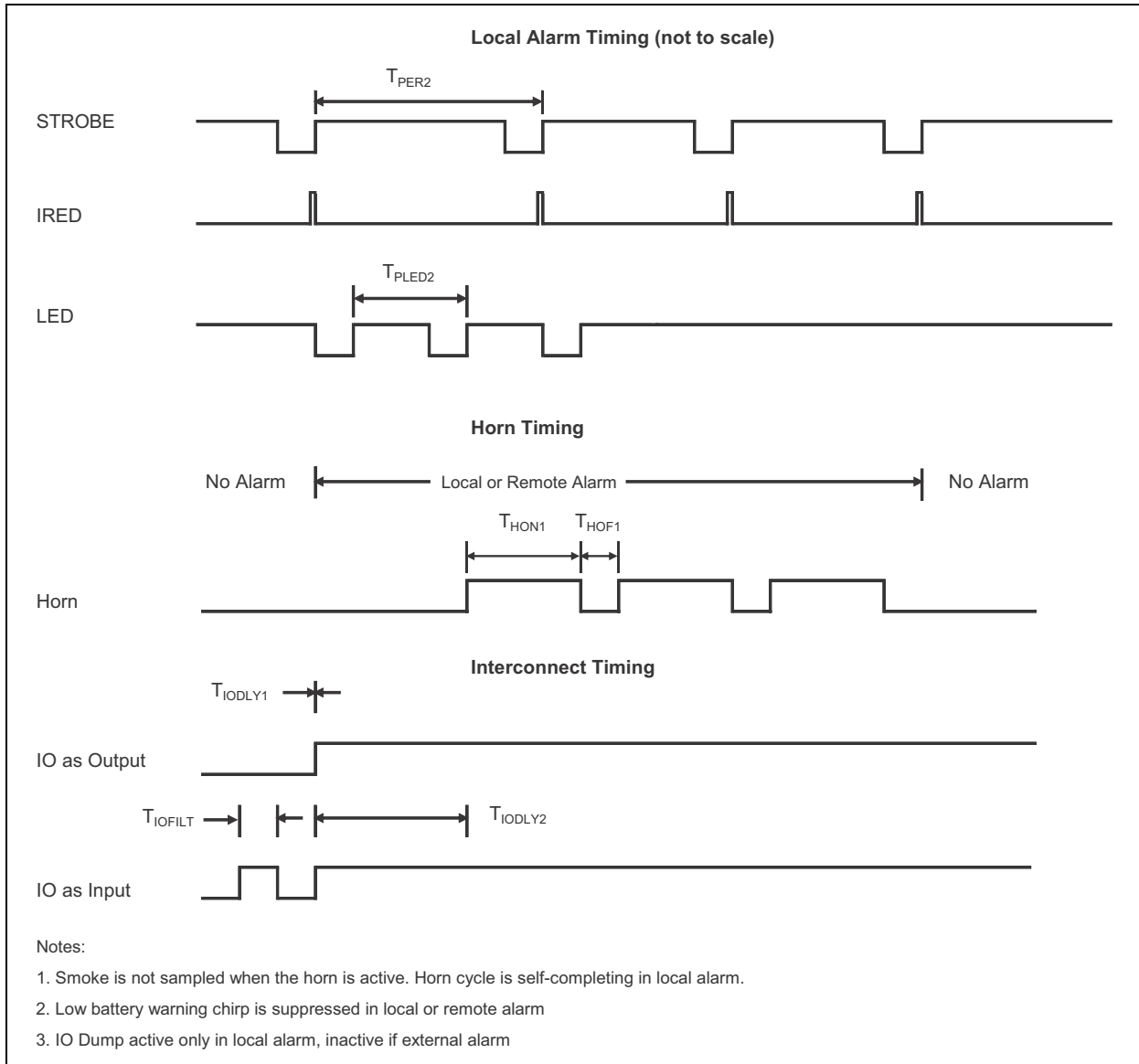
TABLE 3-1: DIAGNOSTIC MODE PIN FUNCTION

Pin Name	Pin Number	Function
IO	7	Disabled as an output. A high on this pin directs the photo amplifier output to pin C1 (1) or C2 (2), determined by the level on VSEN (15). Amplification occurs during the IRED active time.
VSEN	15	If IO is high, then this pin controls the gain capacitor that is used. If VSEN is low, the normal gain is selected and the photo amplifier output appears on C1 (1). If VSEN is high, high gain is selected and the photo amplifier output is on C2 (2).
FEED	10	If VSEN (15) is low, then taking this input high will enable hysteresis, which is a nominal 10% gain increase in normal gain mode.
COSC	12	If desired, this pin can be driven by an external clock.
HORNB	8	This pin becomes the smoke integrator output. A high level indicates that an alarm condition has been detected.
LED	11	The LED pin is used as a low battery indicator. For $V_{DD}$ above the low battery threshold, the open drain NMOS is off. If $V_{DD}$ falls below the threshold, the NMOS turns on.



**FIGURE 3-1:** RE46C144 Timing Diagram – Standby, Low Supply and Chamber Test Failure.

# RE46C144

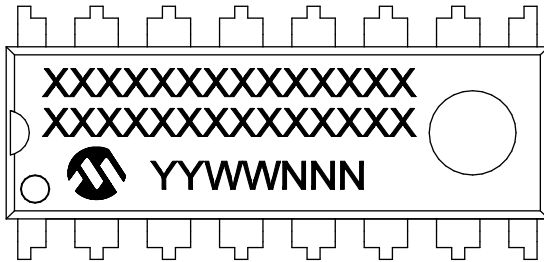


**FIGURE 3-2:** RE46C144 Timing Diagram – Local Alarm, Horn and Interconnect Timings.

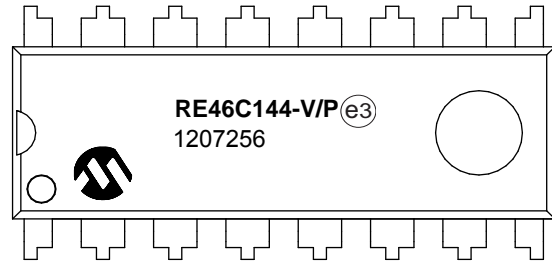
## 4.0 PACKAGING INFORMATION

### 4.1 Package Marking Information

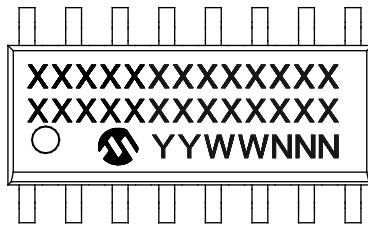
16-Lead PDIP (300 mil)



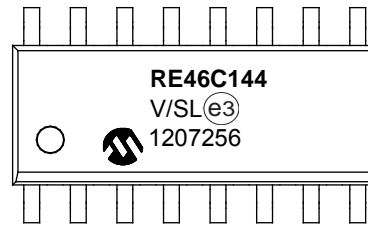
Example



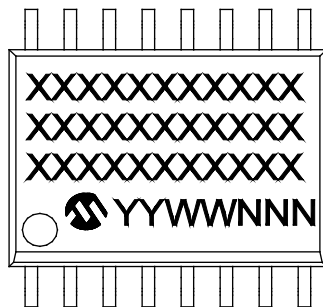
16-Lead Narrow SOIC (3.90 mm)



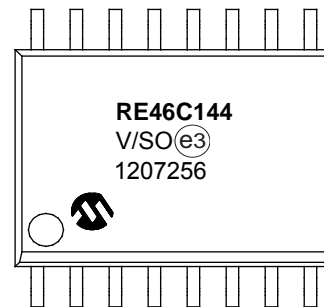
Example



16-Lead Wide SOIC (7.50 mm)



Example



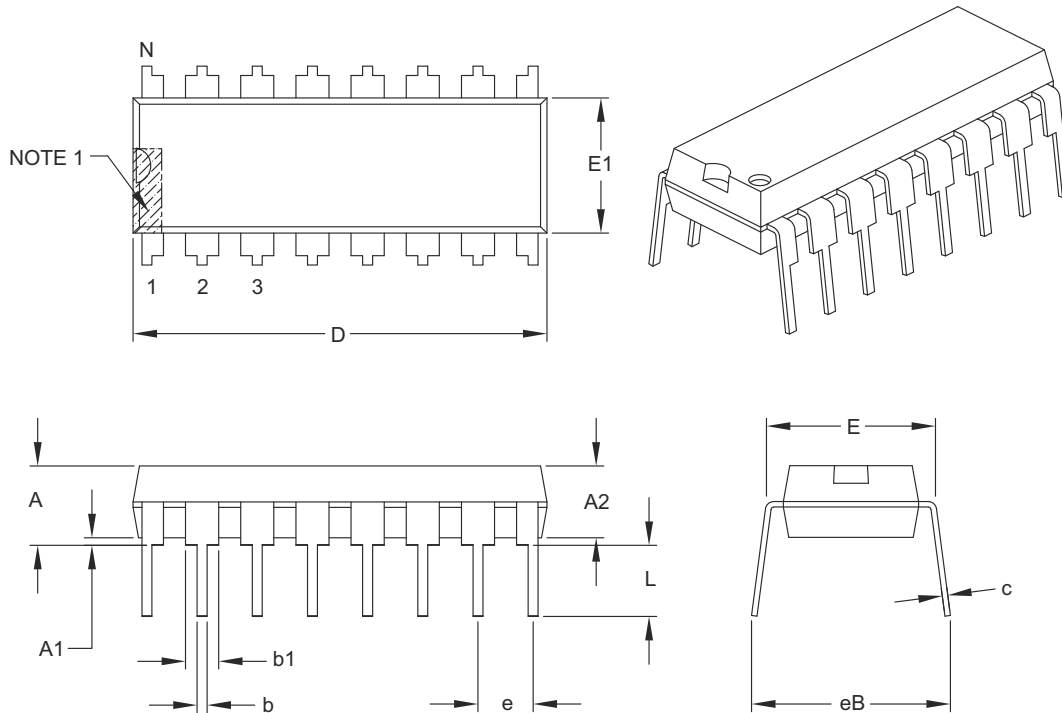
<b>Legend:</b>	XX...X	Customer-specific information
	Y	Year code (last digit of calendar year)
	YY	Year code (last 2 digits of calendar year)
	WW	Week code (week of January 1 is week '01')
	NNN	Alphanumeric traceability code
	(e3)	Pb-free JEDEC designator for Matte Tin (Sn)
	*	This package is Pb-free. The Pb-free JEDEC designator (e3) can be found on the outer packaging for this package.

**Note:** In the event the full Microchip part number cannot be marked on one line, it will be carried over to the next line, thus limiting the number of available characters for customer-specific information.

# RE46C144

## 16-Lead Plastic Dual In-Line (P) – 300 mil Body [PDIP]

**Note:** For the most current package drawings, please see the Microchip Packaging Specification located at <http://www.microchip.com/packaging>



Dimension Limits	Units	INCHES		
		MIN	NOM	MAX
Number of Pins	N	16		
Pitch	e	.100 BSC		
Top to Seating Plane	A	–	–	.210
Molded Package Thickness	A2	.115	.130	.195
Base to Seating Plane	A1	.015	–	–
Shoulder to Shoulder Width	E	.290	.310	.325
Molded Package Width	E1	.240	.250	.280
Overall Length	D	.735	.755	.775
Tip to Seating Plane	L	.115	.130	.150
Lead Thickness	c	.008	.010	.015
Upper Lead Width	b1	.045	.060	.070
Lower Lead Width	b	.014	.018	.022
Overall Row Spacing §	eB	–	–	.430

**Notes:**

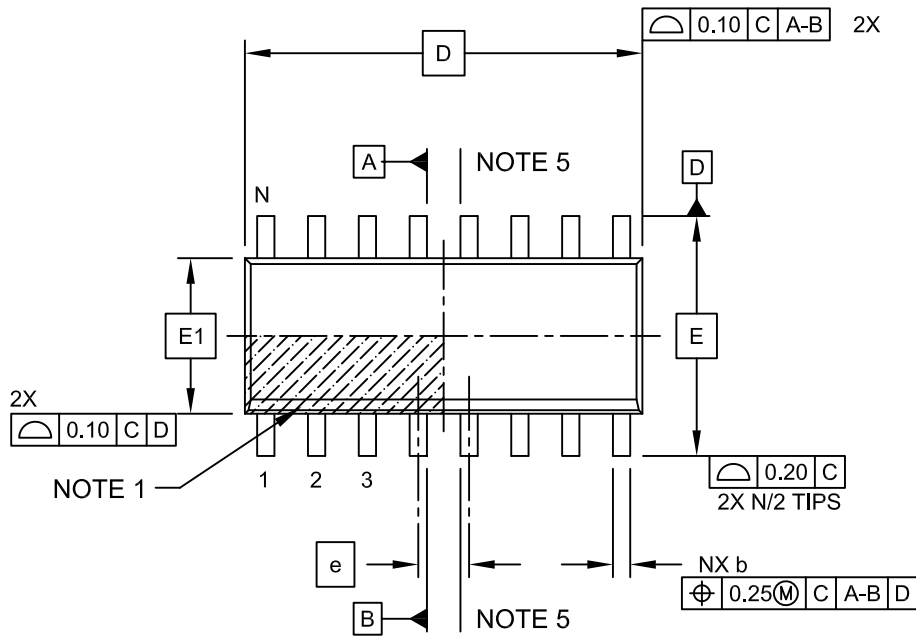
- Pin 1 visual index feature may vary, but must be located within the hatched area.
- § Significant Characteristic.
- Dimensions D and E1 do not include mold flash or protrusions. Mold flash or protrusions shall not exceed .010" per side.
- Dimensioning and tolerancing per ASME Y14.5M.

BSC: Basic Dimension. Theoretically exact value shown without tolerances.

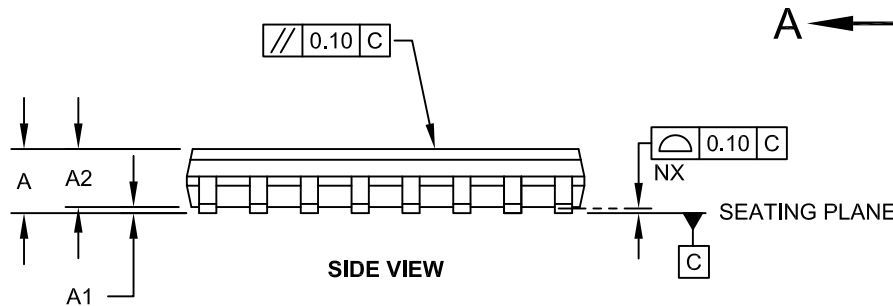
Microchip Technology Drawing C04-017B

## 16-Lead Plastic Small Outline (SL) - Narrow, 3.90 mm Body [SOIC]

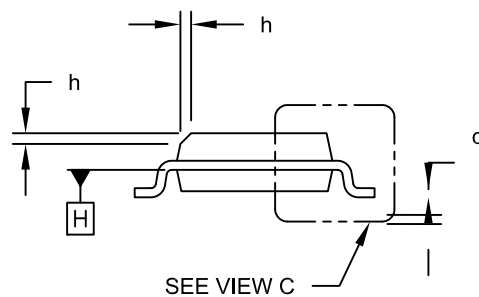
**Note:** For the most current package drawings, please see the Microchip Packaging Specification located at <http://www.microchip.com/packaging>



**TOP VIEW**



**SIDE VIEW**



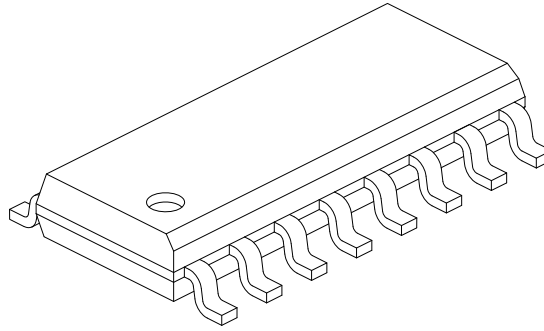
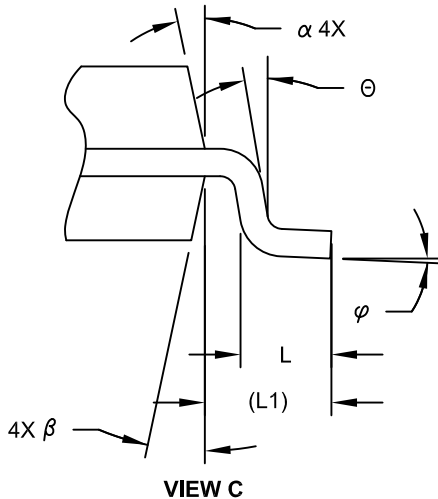
**VIEW A-A**

Microchip Technology Drawing No. C04-108C Sheet 1 of 2

# RE46C144

## 16-Lead Plastic Small Outline (SL) - Narrow, 3.90 mm Body [SOIC]

**Note:** For the most current package drawings, please see the Microchip Packaging Specification located at <http://www.microchip.com/packaging>



		MILLIMETERS		
Units		MIN	NOM	MAX
Dimension Limits				
Number of Pins	N	16		
Pitch	e	1.27 BSC		
Overall Height	A	-	-	1.75
Molded Package Thickness	A2	1.25	-	-
Standoff §	A1	0.10	-	0.25
Overall Width	E	6.00 BSC		
Molded Package Width	E1	3.90 BSC		
Overall Length	D	9.90 BSC		
Chamfer (Optional)	h	0.25	-	0.50
Foot Length	L	0.40	-	1.27
Footprint	L1	1.04 REF		
Lead Angle	θ	0°	-	-
Foot Angle	φ	0°	-	8°
Lead Thickness	c	0.10	-	0.25
Lead Width	b	0.31	-	0.51
Mold Draft Angle Top	α	5°	-	15°
Mold Draft Angle Bottom	β	5°	-	15°

### Notes:

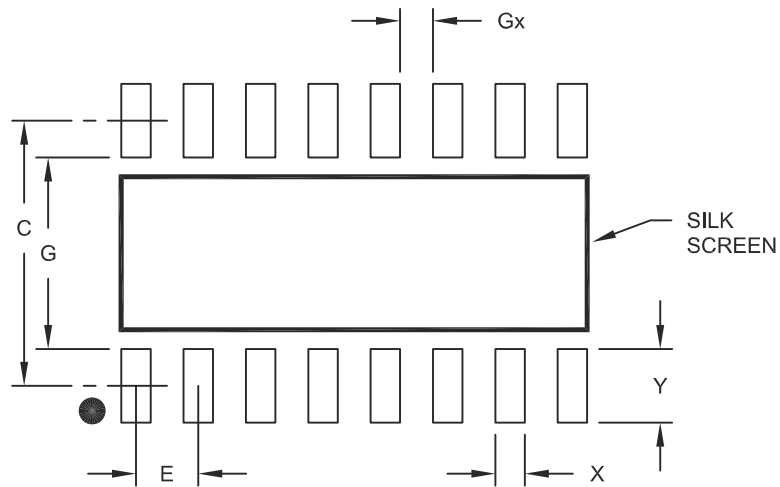
- Pin 1 visual index feature may vary, but must be located within the hatched area.
- § Significant Characteristic
- Dimension D does not include mold flash, protrusions or gate burrs, which shall not exceed 0.15 mm per end. Dimension E1 does not include interlead flash or protrusion, which shall not exceed 0.25 mm per side.
- Dimensioning and tolerancing per ASME Y14.5M
  - BSC: Basic Dimension. Theoretically exact value shown without tolerances.
  - REF: Reference Dimension, usually without tolerance, for information purposes only.
- Datums A & B to be determined at Datum H.

Microchip Technology Drawing No. C04-108C Sheet 2 of 2



## 16-Lead Plastic Small Outline (SL) - Narrow, 3.90 mm Body [SOIC]

**Note:** For the most current package drawings, please see the Microchip Packaging Specification located at <http://www.microchip.com/packaging>



### RECOMMENDED LAND PATTERN

Dimension Limits	Units	MILLIMETERS		
		MIN	NOM	MAX
Contact Pitch	E	1.27 BSC		
Contact Pad Spacing	C		5.40	
Contact Pad Width	X			0.60
Contact Pad Length	Y			1.50
Distance Between Pads	Gx	0.67		
Distance Between Pads	G	3.90		

**Notes:**

1. Dimensioning and tolerancing per ASME Y14.5M

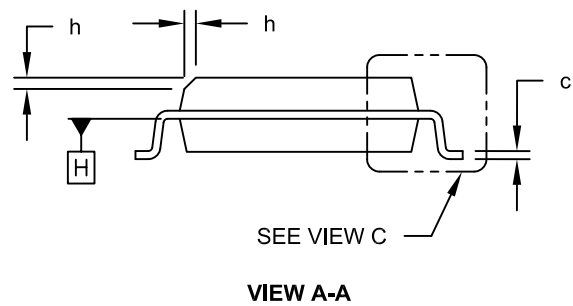
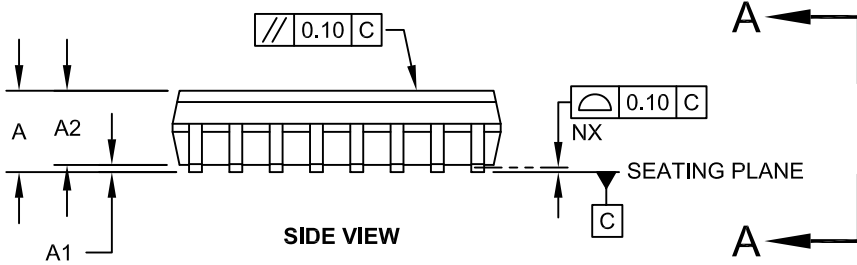
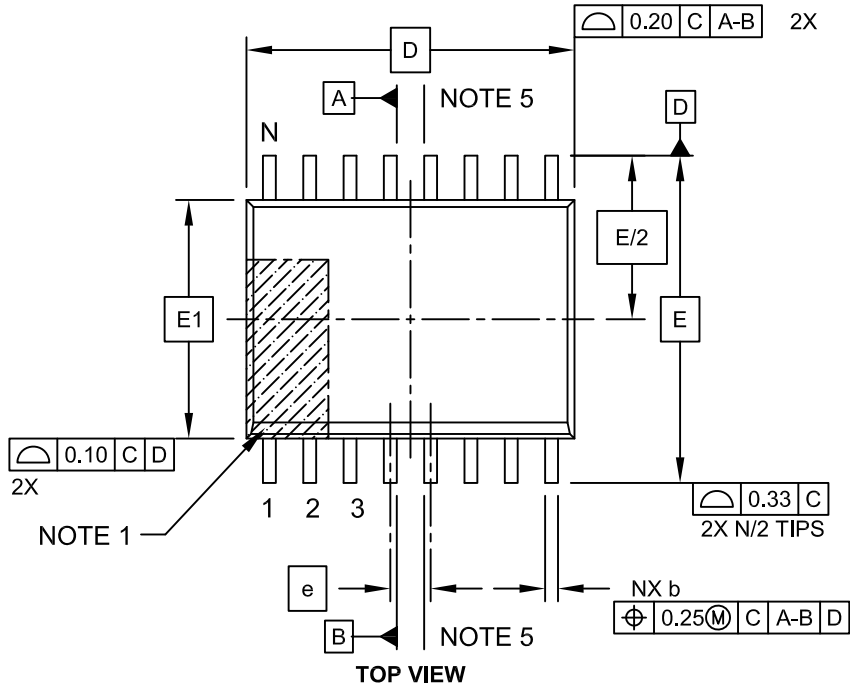
BSC: Basic Dimension. Theoretically exact value shown without tolerances.

Microchip Technology Drawing No. C04-2108A

# RE46C144

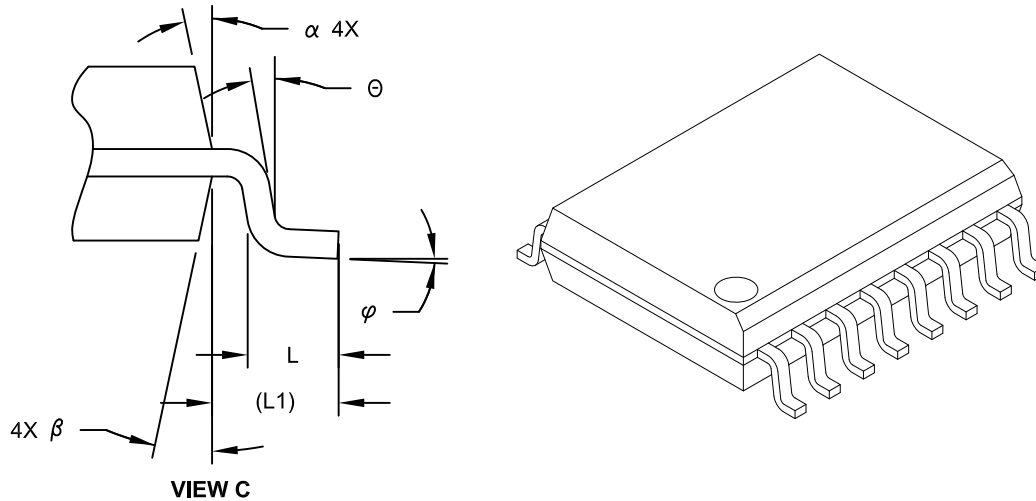
## 16-Lead Plastic Small Outline (SO) - Wide, 7.50 mm Body [SOIC]

**Note:** For the most current package drawings, please see the Microchip Packaging Specification located at <http://www.microchip.com/packaging>



## 16-Lead Plastic Small Outline (SO) - Wide, 7.50 mm Body [SOIC]

**Note:** For the most current package drawings, please see the Microchip Packaging Specification located at <http://www.microchip.com/packaging>



Dimension Limits	Units	MILLIMETERS		
		MIN	NOM	MAX
Number of Pins	N	16		
Pitch	e	1.27 BSC		
Overall Height	A	-	-	2.65
Molded Package Thickness	A2	2.05	-	-
Standoff §	A1	0.10	-	0.30
Overall Width	E	10.30 BSC		
Molded Package Width	E1	7.50 BSC		
Overall Length	D	10.30 BSC		
Chamfer (Optional)	h	0.25	-	0.75
Foot Length	L	0.40	-	1.27
Footprint	L1	1.40 REF		
Lead Angle	$\Theta$	0°	-	-
Foot Angle	$\varphi$	0°	-	8°
Lead Thickness	c	0.20	-	0.33
Lead Width	b	0.31	-	0.51
Mold Draft Angle Top	$\alpha$	5°	-	15°
Mold Draft Angle Bottom	$\beta$	5°	-	15°

**Notes:**

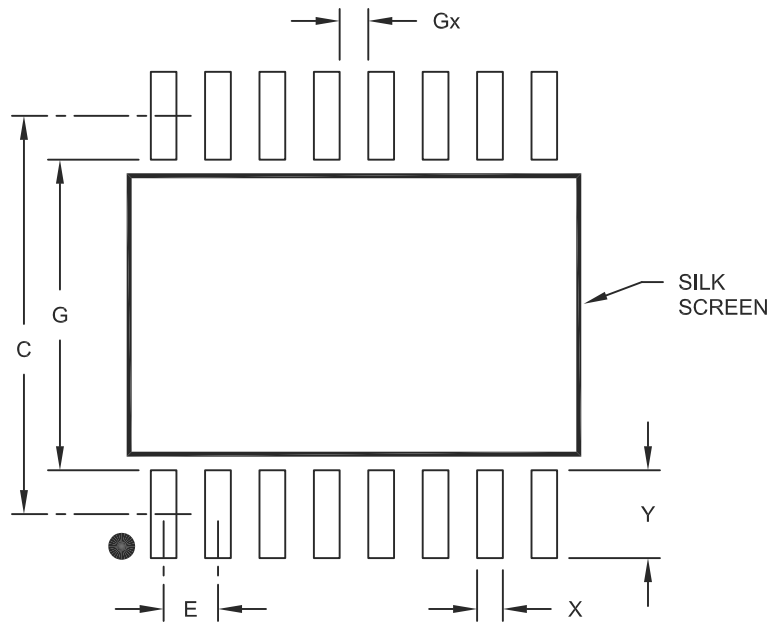
- Pin 1 visual index feature may vary, but must be located within the hatched area.
- § Significant Characteristic
- Dimension D does not include mold flash, protrusions or gate burrs, which shall not exceed 0.15 mm per end. Dimension E1 does not include interlead flash or protrusion, which shall not exceed 0.25 mm per side.
- Dimensioning and tolerancing per ASME Y14.5M  
BSC: Basic Dimension. Theoretically exact value shown without tolerances.  
REF: Reference Dimension, usually without tolerance, for information purposes only.
- Datums A & B to be determined at Datum H.

Microchip Technology Drawing No. C04-102C Sheet 2 of 2

# RE46C144

## 16-Lead Plastic Small Outline (SO) – Wide, 7.50 mm Body [SOIC] Land Pattern

**Note:** For the most current package drawings, please see the Microchip Packaging Specification located at <http://www.microchip.com/packaging>



RECOMMENDED LAND PATTERN

Dimension Limits	Units	MILLIMETERS		
		MIN	NOM	MAX
Contact Pitch	E	1.27 BSC		
Contact Pad Spacing	C		9.30	
Contact Pad Width	X			0.60
Contact Pad Length	Y			2.05
Distance Between Pads	Gx	0.67		
Distance Between Pads	G	7.25		

**Notes:**

1. Dimensioning and tolerancing per ASME Y14.5M

BSC: Basic Dimension. Theoretically exact value shown without tolerances.

Microchip Technology Drawing No. C04-2102A

## APPENDIX A: REVISION HISTORY

### Revision C (June 2012)

The following is the list of modifications:

1. Restructured the entire document.
2. Moved the [Functional Block Diagram](#) and [Typical Application](#) figures to the beginning of the document.
3. Added [Temperature Characteristics](#) table.
4. Reorganized [Section 2.0, Pin Description](#). Simplified [Table 3-1](#), and added description sections.
5. Added [Section 4.0, Packaging Information](#).
6. Added the [Product Identification System](#) section.

### Revision B (October 2009)

- Undocumented changes

### Revision A (May 2009)

- Original Release of this Document

# RE46C144

---

NOTES:

## PRODUCT IDENTIFICATION SYSTEM

To order or obtain information, e.g., on pricing or delivery, refer to the factory or the listed sales office.

<u>PART NO.</u>		<u>/X</u>	<u>XX</u>
Device	Package	Number of Pins	
Device	RE46C144:	CMOS Photoelectric Smoke Detector ASIC	
	RE46C144T:	CMOS Photoelectric Smoke Detector ASIC (Tape and Reel, SOIC only)	
Package	E	=	Plastic Dual In-Line, 300 mil. Body, 16-Lead (PDIP)
	S	=	Small Plastic Outline - Narrow, 3.90 mm Body, 16-Lead (SOIC)
	SW	=	Small Plastic Outline - Wide, 7.50 mm Body, 16-Lead (SOIC)

Examples:	
a)	RE46C144E16F: 16LD PDIP Package
b)	RE46C144S16F: 16LD SOIC Package
c)	RE46C144S16TF: 16LD SOIC Package, Tape and Reel
d)	RE46C144SW16F: 16LD SOIC Package
e)	RE46C144SW16TF: 16LD SOIC Package, Tape and Reel

# RE46C144

---

NOTES:



---

**Note the following details of the code protection feature on Microchip devices:**

- Microchip products meet the specification contained in their particular Microchip Data Sheet.
- Microchip believes that its family of products is one of the most secure families of its kind on the market today, when used in the intended manner and under normal conditions.
- There are dishonest and possibly illegal methods used to breach the code protection feature. All of these methods, to our knowledge, require using the Microchip products in a manner outside the operating specifications contained in Microchip's Data Sheets. Most likely, the person doing so is engaged in theft of intellectual property.
- Microchip is willing to work with the customer who is concerned about the integrity of their code.
- Neither Microchip nor any other semiconductor manufacturer can guarantee the security of their code. Code protection does not mean that we are guaranteeing the product as “unbreakable.”

Code protection is constantly evolving. We at Microchip are committed to continuously improving the code protection features of our products. Attempts to break Microchip's code protection feature may be a violation of the Digital Millennium Copyright Act. If such acts allow unauthorized access to your software or other copyrighted work, you may have a right to sue for relief under that Act.

---

Information contained in this publication regarding device applications and the like is provided only for your convenience and may be superseded by updates. It is your responsibility to ensure that your application meets with your specifications. MICROCHIP MAKES NO REPRESENTATIONS OR WARRANTIES OF ANY KIND WHETHER EXPRESS OR IMPLIED, WRITTEN OR ORAL, STATUTORY OR OTHERWISE, RELATED TO THE INFORMATION, INCLUDING BUT NOT LIMITED TO ITS CONDITION, QUALITY, PERFORMANCE, MERCHANTABILITY OR FITNESS FOR PURPOSE. Microchip disclaims all liability arising from this information and its use. Use of Microchip devices in life support and/or safety applications is entirely at the buyer's risk, and the buyer agrees to defend, indemnify and hold harmless Microchip from any and all damages, claims, suits, or expenses resulting from such use. No licenses are conveyed, implicitly or otherwise, under any Microchip intellectual property rights.

**Trademarks**

The Microchip name and logo, the Microchip logo, dsPIC, KEELOQ, KEELOQ logo, MPLAB, PIC, PICmicro, PICSTART, PIC<sup>32</sup> logo, rPIC and UNI/O are registered trademarks of Microchip Technology Incorporated in the U.S.A. and other countries.

FilterLab, Hampshire, HI-TECH C, Linear Active Thermistor, MXDEV, MXLAB, SEEVAL and The Embedded Control Solutions Company are registered trademarks of Microchip Technology Incorporated in the U.S.A.

Analog-for-the-Digital Age, Application Maestro, chipKIT, chipKIT logo, CodeGuard, dsPICDEM, dsPICDEM.net, dsPICworks, dsSPEAK, ECAN, ECONOMONITOR, FanSense, HI-TIDE, In-Circuit Serial Programming, ICSP, Mindi, MiWi, MPASM, MPLAB Certified logo, MPLIB, MPLINK, mTouch, Omniscient Code Generation, PICC, PICC-18, PICDEM, PICDEM.net, PICKit, PICtail, REAL ICE, rLAB, Select Mode, Total Endurance, TSHARC, UniWinDriver, WiperLock and ZENA are trademarks of Microchip Technology Incorporated in the U.S.A. and other countries.

SQTP is a service mark of Microchip Technology Incorporated in the U.S.A.

All other trademarks mentioned herein are property of their respective companies.

© 2009-2012, Microchip Technology Incorporated, Printed in the U.S.A., All Rights Reserved.

 Printed on recycled paper.

ISBN: 978-1-62076-352-0

**QUALITY MANAGEMENT SYSTEM**  
**CERTIFIED BY DNV**  
**== ISO/TS 16949 ==**

*Microchip received ISO/TS-16949:2009 certification for its worldwide headquarters, design and wafer fabrication facilities in Chandler and Tempe, Arizona; Gresham, Oregon and design centers in California and India. The Company's quality system processes and procedures are for its PIC<sup>®</sup> MCUs and dsPIC<sup>®</sup> DSCs, KEELOQ<sup>®</sup> code hopping devices, Serial EEPROMs, microperipherals, nonvolatile memory and analog products. In addition, Microchip's quality system for the design and manufacture of development systems is ISO 9001:2000 certified.*



# MICROCHIP

## Worldwide Sales and Service

### AMERICAS

**Corporate Office**  
2355 West Chandler Blvd.  
Chandler, AZ 85224-6199  
Tel: 480-792-7200  
Fax: 480-792-7277  
Technical Support:  
<http://www.microchip.com/support>  
Web Address:  
[www.microchip.com](http://www.microchip.com)

**Atlanta**  
Duluth, GA  
Tel: 678-957-9614  
Fax: 678-957-1455

**Boston**  
Westborough, MA  
Tel: 774-760-0087  
Fax: 774-760-0088

**Chicago**  
Itasca, IL  
Tel: 630-285-0071  
Fax: 630-285-0075

**Cleveland**  
Independence, OH  
Tel: 216-447-0464  
Fax: 216-447-0643

**Dallas**  
Addison, TX  
Tel: 972-818-7423  
Fax: 972-818-2924

**Detroit**  
Farmington Hills, MI  
Tel: 248-538-2250  
Fax: 248-538-2260

**Indianapolis**  
Noblesville, IN  
Tel: 317-773-8323  
Fax: 317-773-5453

**Los Angeles**  
Mission Viejo, CA  
Tel: 949-462-9523  
Fax: 949-462-9608

**Santa Clara**  
Santa Clara, CA  
Tel: 408-961-6444  
Fax: 408-961-6445

**Toronto**  
Mississauga, Ontario,  
Canada  
Tel: 905-673-0699  
Fax: 905-673-6509

### ASIA/PACIFIC

**Asia Pacific Office**  
Suites 3707-14, 37th Floor  
Tower 6, The Gateway  
Harbour City, Kowloon  
Hong Kong  
Tel: 852-2401-1200  
Fax: 852-2401-3431

**Australia - Sydney**  
Tel: 61-2-9868-6733  
Fax: 61-2-9868-6755

**China - Beijing**  
Tel: 86-10-8569-7000  
Fax: 86-10-8528-2104

**China - Chengdu**  
Tel: 86-28-8665-5511  
Fax: 86-28-8665-7889

**China - Chongqing**  
Tel: 86-23-8980-9588  
Fax: 86-23-8980-9500

**China - Hangzhou**  
Tel: 86-571-2819-3187  
Fax: 86-571-2819-3189

**China - Hong Kong SAR**  
Tel: 852-2401-1200  
Fax: 852-2401-3431

**China - Nanjing**  
Tel: 86-25-8473-2460  
Fax: 86-25-8473-2470

**China - Qingdao**  
Tel: 86-532-8502-7355  
Fax: 86-532-8502-7205

**China - Shanghai**  
Tel: 86-21-5407-5533  
Fax: 86-21-5407-5066

**China - Shenyang**  
Tel: 86-24-2334-2829  
Fax: 86-24-2334-2393

**China - Shenzhen**  
Tel: 86-755-8203-2660  
Fax: 86-755-8203-1760

**China - Wuhan**  
Tel: 86-27-5980-5300  
Fax: 86-27-5980-5118

**China - Xian**  
Tel: 86-29-8833-7252  
Fax: 86-29-8833-7256

**China - Xiamen**  
Tel: 86-592-2388138  
Fax: 86-592-2388130

**China - Zhuhai**  
Tel: 86-756-3210040  
Fax: 86-756-3210049

### ASIA/PACIFIC

**India - Bangalore**  
Tel: 91-80-3090-4444  
Fax: 91-80-3090-4123

**India - New Delhi**  
Tel: 91-11-4160-8631  
Fax: 91-11-4160-8632

**India - Pune**  
Tel: 91-20-2566-1512  
Fax: 91-20-2566-1513

**Japan - Osaka**  
Tel: 81-66-152-7160  
Fax: 81-66-152-9310

**Japan - Yokohama**  
Tel: 81-45-471-6166  
Fax: 81-45-471-6122

**Korea - Daegu**  
Tel: 82-53-744-4301  
Fax: 82-53-744-4302

**Korea - Seoul**  
Tel: 82-2-554-7200  
Fax: 82-2-558-5932 or  
82-2-558-5934

**Malaysia - Kuala Lumpur**  
Tel: 60-3-6201-9857  
Fax: 60-3-6201-9859

**Malaysia - Penang**  
Tel: 60-4-227-8870  
Fax: 60-4-227-4068

**Philippines - Manila**  
Tel: 63-2-634-9065  
Fax: 63-2-634-9069

**Singapore**  
Tel: 65-6334-8870  
Fax: 65-6334-8850

**Taiwan - Hsin Chu**  
Tel: 886-3-5778-366  
Fax: 886-3-5770-955

**Taiwan - Kaohsiung**  
Tel: 886-7-536-4818  
Fax: 886-7-330-9305

**Taiwan - Taipei**  
Tel: 886-2-2500-6610  
Fax: 886-2-2508-0102

**Thailand - Bangkok**  
Tel: 66-2-694-1351  
Fax: 66-2-694-1350

### EUROPE

**Austria - Wels**  
Tel: 43-7242-2244-39  
Fax: 43-7242-2244-393

**Denmark - Copenhagen**  
Tel: 45-4450-2828  
Fax: 45-4485-2829

**France - Paris**  
Tel: 33-1-69-53-63-20  
Fax: 33-1-69-30-90-79

**Germany - Munich**  
Tel: 49-89-627-144-0  
Fax: 49-89-627-144-44

**Italy - Milan**  
Tel: 39-0331-742611  
Fax: 39-0331-466781

**Netherlands - Drunen**  
Tel: 31-416-690399  
Fax: 31-416-690340

**Spain - Madrid**  
Tel: 34-91-708-08-90  
Fax: 34-91-708-08-91

**UK - Wokingham**  
Tel: 44-118-921-5869  
Fax: 44-118-921-5820

11/29/11

## Данный компонент на территории Российской Федерации

### Вы можете приобрести в компании MosChip.

Для оперативного оформления запроса Вам необходимо перейти по данной ссылке:

<http://moschip.ru/get-element>

Вы можете разместить у нас заказ для любого Вашего проекта, будь то серийное производство или разработка единичного прибора.

В нашем ассортименте представлены ведущие мировые производители активных и пассивных электронных компонентов.

Нашей специализацией является поставка электронной компонентной базы двойного назначения, продукции таких производителей как XILINX, Intel (ex.ALTERA), Vicor, Microchip, Texas Instruments, Analog Devices, Mini-Circuits, Amphenol, Glenair.

Сотрудничество с глобальными дистрибьюторами электронных компонентов, предоставляет возможность заказывать и получать с международных складов практически любой перечень компонентов в оптимальные для Вас сроки.

На всех этапах разработки и производства наши партнеры могут получить квалифицированную поддержку опытных инженеров.

Система менеджмента качества компании отвечает требованиям в соответствии с ГОСТ Р ИСО 9001, ГОСТ РВ 0015-002 и ЭС РД 009

### Офис по работе с юридическими лицами:

105318, г.Москва, ул.Щербаковская д.3, офис 1107, 1118, ДЦ «Щербаковский»

Телефон: +7 495 668-12-70 (многоканальный)

Факс: +7 495 668-12-70 (доб.304)

E-mail: [info@moschip.ru](mailto:info@moschip.ru)

Skype отдела продаж:

moschip.ru

moschip.ru\_4

moschip.ru\_6

moschip.ru\_9