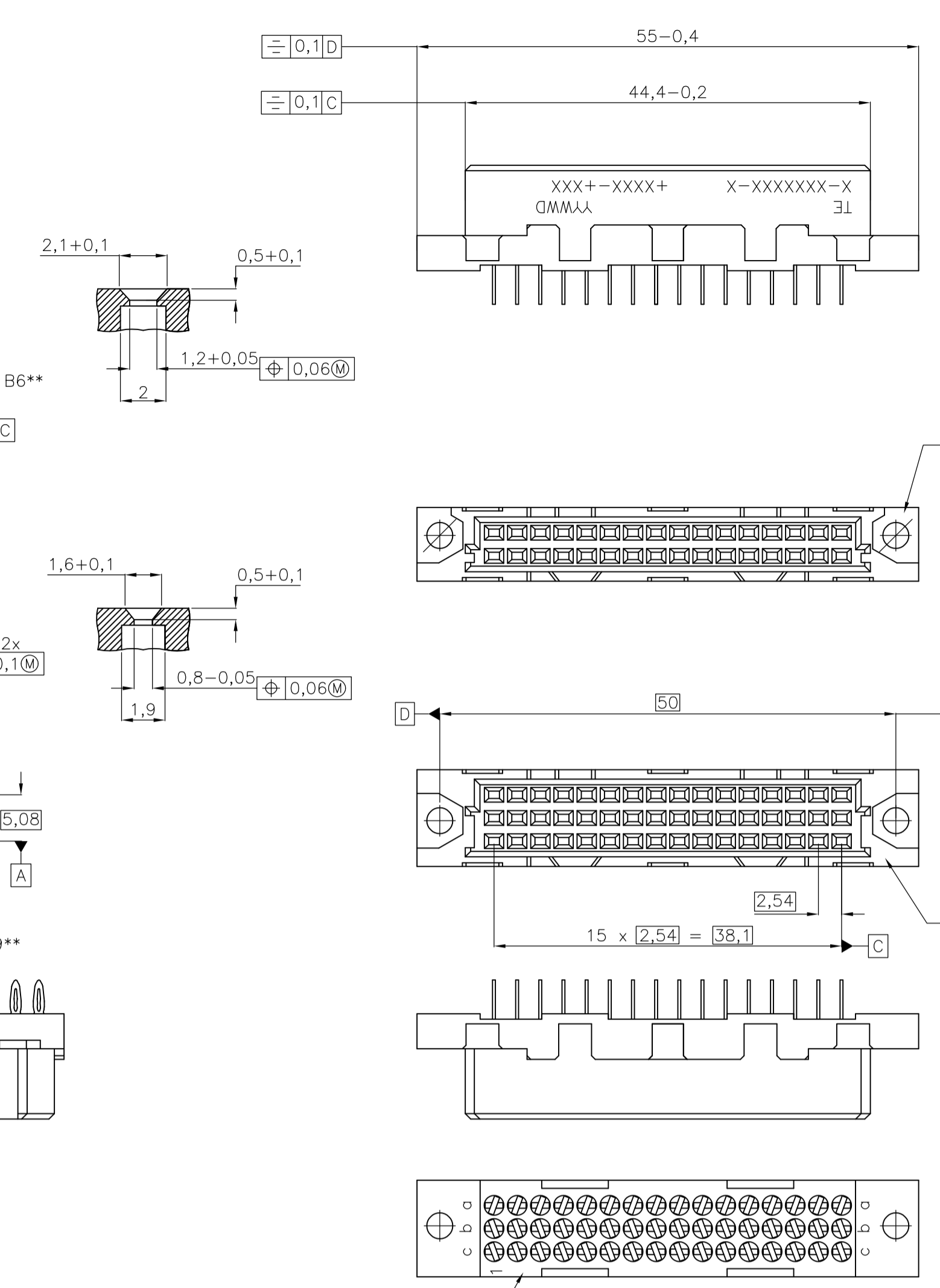
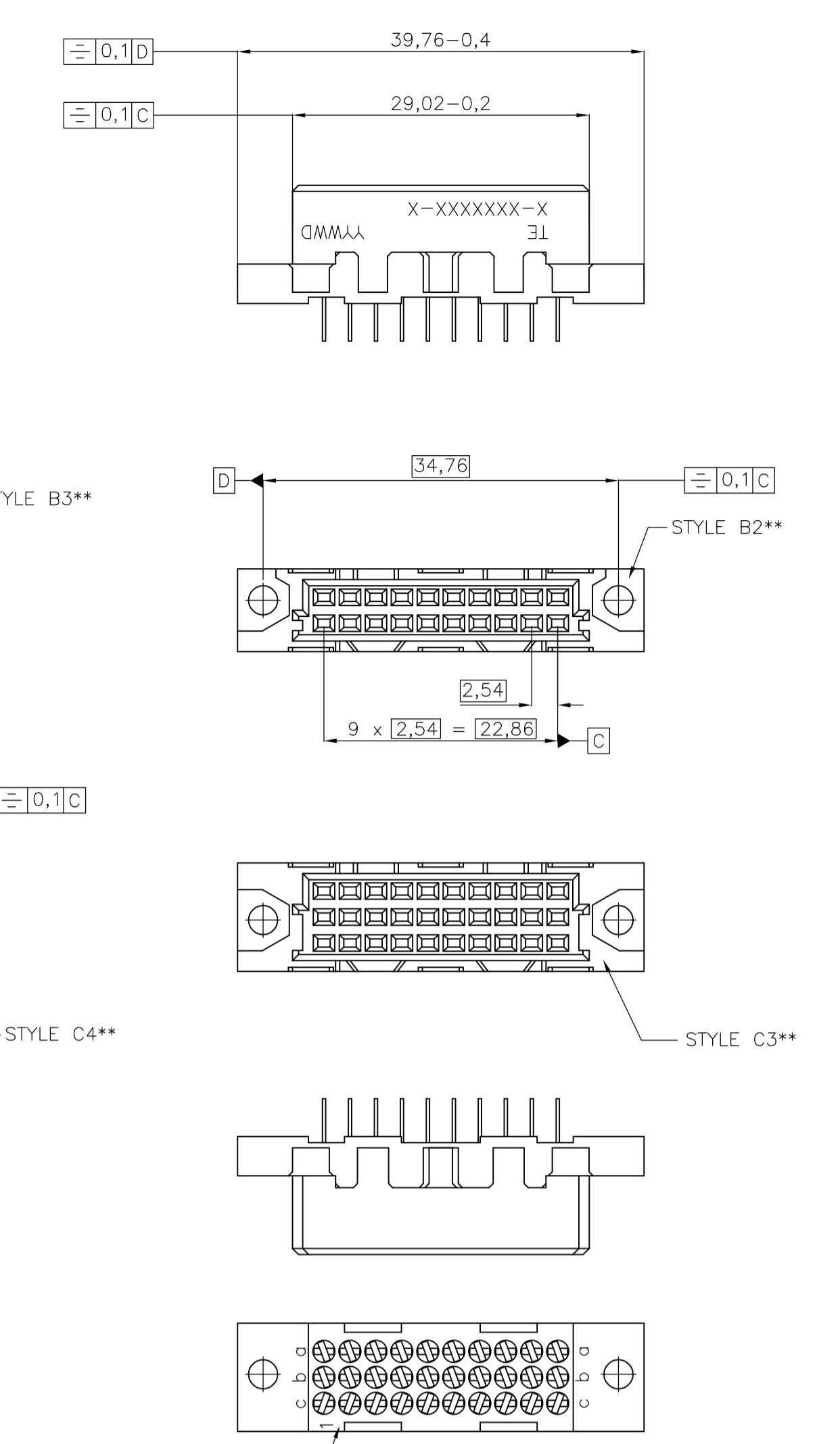


HOUSING MATERIAL: PBTP 30% GLASSFILLED (UL94V-0) PEBBLE GREY, SIMILAR RAL 7032

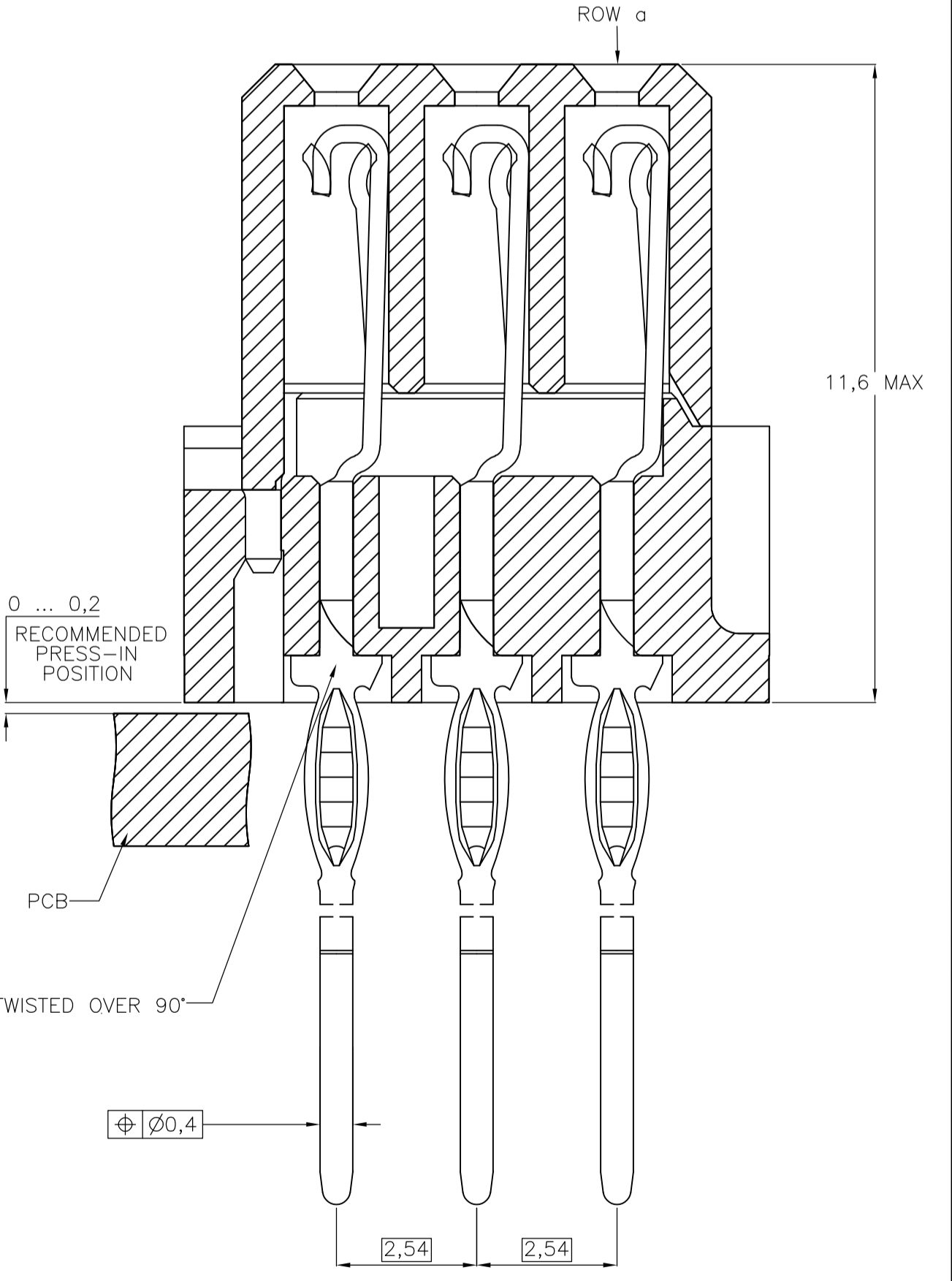
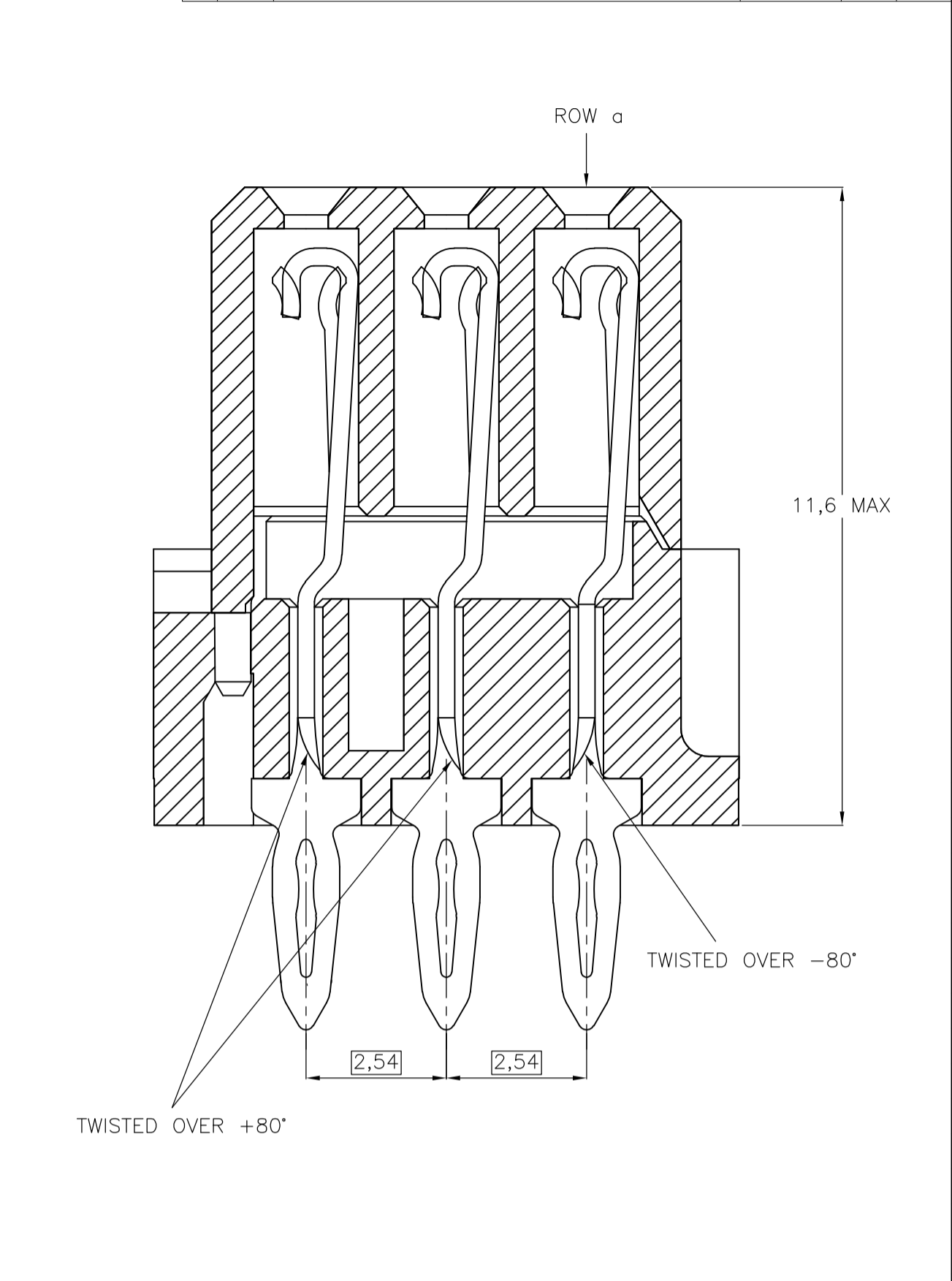


HOUSING MATERIAL: PBTP 30% GLASSFILLED (UL94V-0) PEBBLE GREY, SIMILAR RAL 7032

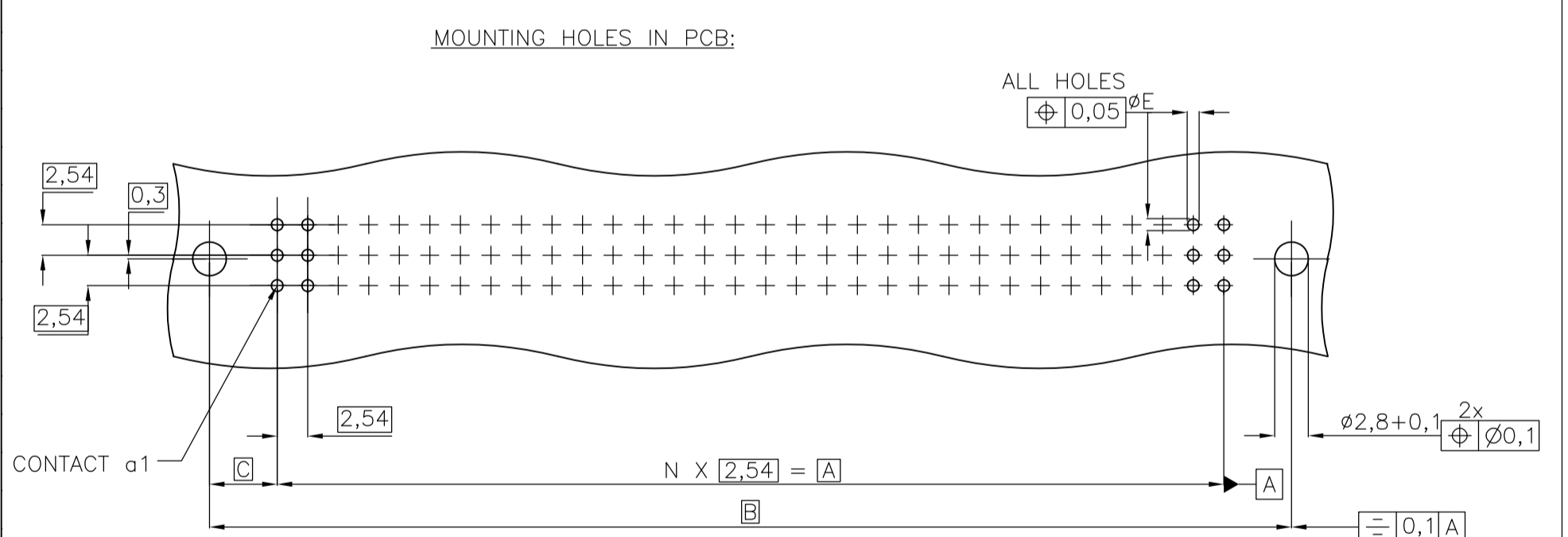


HOUSING MATERIAL: PBTP 30% GLASSFILLED (UL94V-0) PEBBLE GREY, SIMILAR RAL 7032

REVISONS		DATE	DNV	APVD
D4	ECR-08-012252	18-03-09	AEG	MKO
D5	ECR-10-002555	01JUN10	RK	MKO
D6	ECR-10-004503	13SEP11	RK	MKO

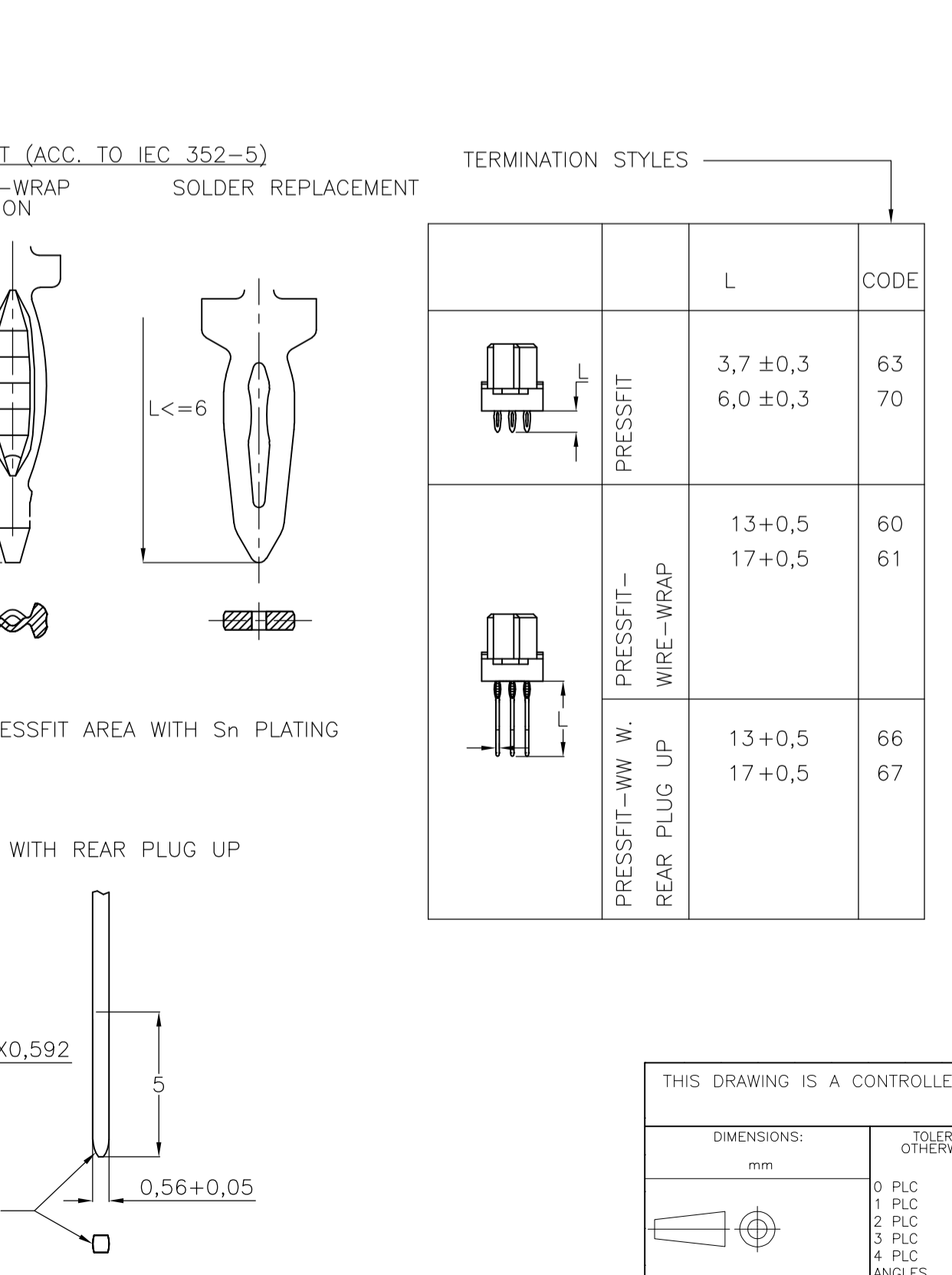
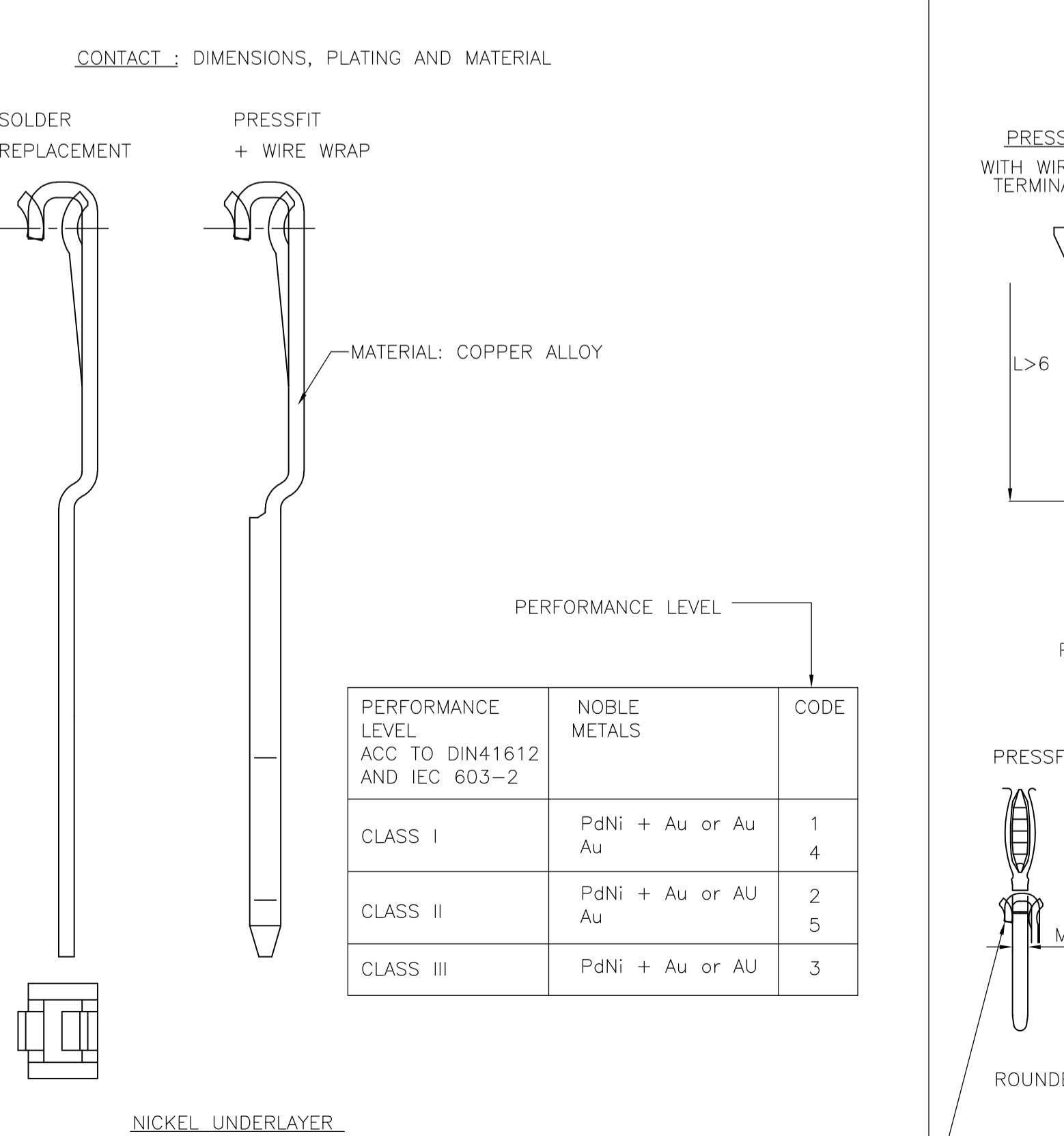
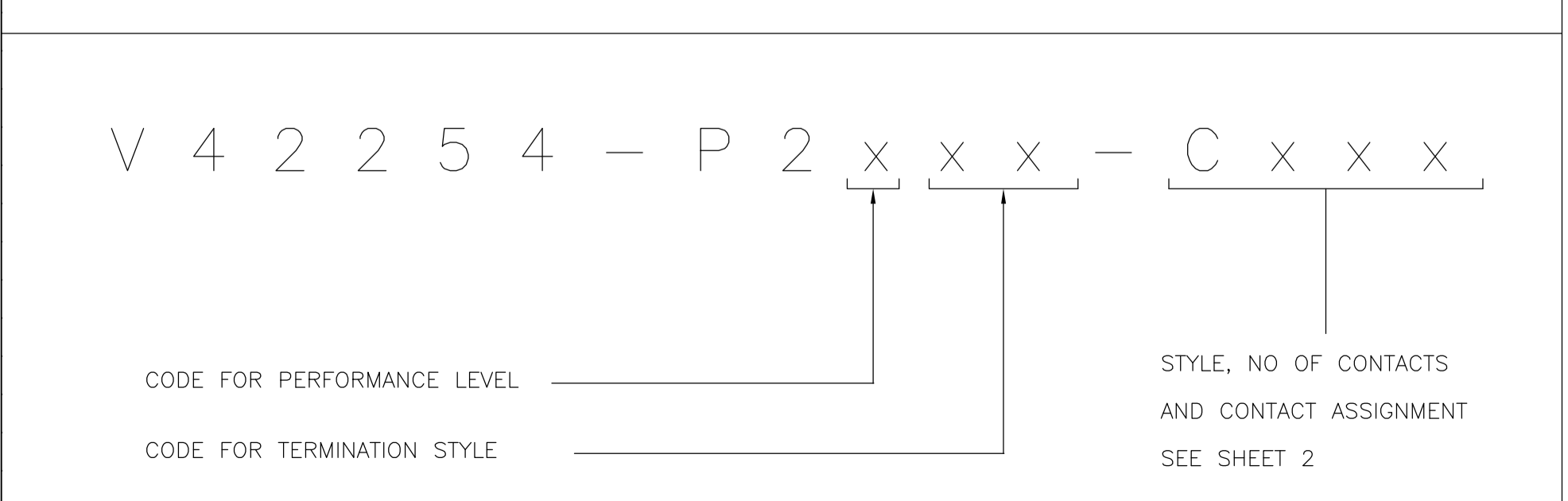


ALL FEMALE CONNECTORS CAN BE PRESSED-IN WITH A FLAT STAMP (OVER THE CONNECTOR HOUSING)



E	TERMINATION
0,94±0,15	PRESS FIT <sup>1)</sup>

1) PLATED-THROUGH HOLE : DRILLED HOLE = 1,15 mm  
CU MIN 25 µm  
SnPb = 5...15 µm



THIS DRAWING IS A CONTROLLED DOCUMENT.

DIMENSIONS: mm	TOLERANCES UNLESS OTHERWISE SPECIFIED:	0 PLC ±	1 PLC ±	2 PLC ±	3 PLC ±	4 PLC ±	ANGLES ±
MATERIAL	FINISH	WEIGHT	SIZE	CAGE CODE	DRAWING NO	RESTRICTED TO	

STE TE Connectivity  
RECEPTACLE ASSEMBLY EUROCARD PRESS FIT, TYPES B,C AND SHORT VERSIONS (PN:V42254-P2\*\*\*-C\*\*\*-7626)  
A1 00779 ©=1393637-7  
CUSTOMER DRAWING SCALE NTS SHEET 1 OF 2 REV D6


OLD PART NUMBER	TE PIN	STYLE & NUMBER OF POSITIONS	TERMINATION POSTS	LOADED ROWS	PERFORMANCE LEVEL	BOARD LOCKS
V42254-P2163-C483	1393637-6	C48	3,7mm PRESS-IN TERMINALS	ROW A+C , EVERY PITCH	1	NO
V42254-P2163-C960	1393637-7	C96	3,7mm PRESS-IN TERMINALS	EVERY ROW , EVERY PITCH	1	NO
V42254-P2163-C963	1393637-9	C96	3,7mm PRESS-IN TERMINALS	ROW A+C , EVERY PITCH	1	NO
V42254-P2167-C960	1-1393637-0	C96	17mm PRESS-IN TERMINALS WITH WIRE-WRAP AND INSERTION AREA LEVEL 2	EVERY ROW , EVERY PITCH	1	NO
V42254-P2170-C960	1-1393637-2	C96	6,0mm PRESS-IN TERMINALS	EVERY ROW , EVERY PITCH	1	NO
V42254-P2260-B640	1-1393637-9	B64	13mm PRESS-IN TERMINALS WITH WIRE-WRAP	EVERY ROW , EVERY PITCH	2	NO
V42254-P2260-B640N	2-1393637-0	B64	13mm PRESS-IN TERMINALS WITH WIRE-WRAP	EVERY ROW , EVERY PITCH	2	NO
V42254-P2260-C480	2-1393637-2	C48	13mm PRESS-IN TERMINALS WITH WIRE-WRAP	EVERY ROW , EVERY PITCH	2	NO
V42254-P2260-C960	2-1393637-3	C96	13mm PRESS-IN TERMINALS WITH WIRE-WRAP	EVERY ROW , EVERY PITCH	2	NO
V42254-P2260-C962	2-1393637-5	C96	13mm PRESS-IN TERMINALS WITH WIRE-WRAP	ROW A+B , EVERY PITCH	2	NO
V42254-P2260-C963	2-1393637-6	C96	13mm PRESS-IN TERMINALS WITH WIRE-WRAP	ROW A+C , EVERY PITCH	2	NO
V42254-P2261-B640	2-1393637-8	B64	17mm PRESS-IN TERMINALS WITH WIRE-WRAP	EVERY ROW , EVERY PITCH	2	NO
V42254-P2261-C960	2-1393637-9	C96	17mm PRESS-IN TERMINALS WITH WIRE-WRAP	EVERY ROW , EVERY PITCH	2	NO
V42254-P2261-C963	3-1393637-0	C96	17mm PRESS-IN TERMINALS WITH WIRE-WRAP	ROW A+C , EVERY PITCH	2	NO
V42254-P2263-B320	3-1393637-3	B32	3,7mm PRESS-IN TERMINALS	EVERY ROW , EVERY PITCH	2	NO
V42254-P2263-B325	3-1393637-4	B32	3,7mm PRESS-IN TERMINALS	EVERY ROW , EVERY EVEN PITCH	2	NO
V42254-P2263-B325N	3-1393637-5	B32	3,7mm PRESS-IN TERMINALS	EVERY ROW , EVERY EVEN PITCH	2	NO
V42254-P2263-B640	3-1393637-6	B64	3,7mm PRESS-IN TERMINALS	EVERY ROW , EVERY PITCH	2	NO
V42254-P2263-C300	4-1393637-0	C30	3,7mm PRESS-IN TERMINALS	EVERY ROW , EVERY PITCH	2	NO
V42254-P2263-C303	4-1393637-2	C30	3,7mm PRESS-IN TERMINALS	ROW A+C , EVERY PITCH	2	NO
V42254-P2263-C480	4-1393637-4	C48	3,7mm PRESS-IN TERMINALS	EVERY ROW , EVERY PITCH	2	NO
V42254-P2263-C480N	4-1393637-5	C48	3,7mm PRESS-IN TERMINALS	EVERY ROW , EVERY PITCH	2	NO
V42254-P2263-C483	2-1392009-7	C48	3,7mm PRESS-IN TERMINALS	ROW A+C , EVERY PITCH	2	NO
V42254-P2263-C960	4-1393637-6	C96	3,7mm PRESS-IN TERMINALS	EVERY ROW , EVERY PITCH	2	NO
V42254-P2263-C963	4-1393637-9	C96	3,7mm PRESS-IN TERMINALS	ROW A+C , EVERY PITCH	2	NO
V42254-P2263-C965	5-1393637-2	C96	3,7mm PRESS-IN TERMINALS	EVERY ROW , EVERY EVEN PITCH	2	NO
V42254-P2263-C968	5-1393637-3	C96	3,7mm PRESS-IN TERMINALS	ROW A+C , EVERY EVEN PITCH	2	NO
V42254-P2266-B320	6-1393637-2	B32	13mm PRESS-IN TERMINALS WITH WIRE-WRAP AND INSERTION AREA LEVEL 2	EVERY ROW , EVERY PITCH	2	NO
V42254-P2266-B640	6-1393637-3	B64	13mm PRESS-IN TERMINALS WITH WIRE-WRAP AND INSERTION AREA LEVEL 2	EVERY ROW , EVERY PITCH	2	NO
V42254-P2266-C480	6-1393637-5	C48	13mm PRESS-IN TERMINALS WITH WIRE-WRAP AND INSERTION AREA LEVEL 2	EVERY ROW , EVERY PITCH	2	NO
V42254-P2266-C960	6-1393637-6	C96	13mm PRESS-IN TERMINALS WITH WIRE-WRAP AND INSERTION AREA LEVEL 2	EVERY ROW , EVERY PITCH	2	NO
V42254-P2266-C963	6-1393637-9	C96	13mm PRESS-IN TERMINALS WITH WIRE-WRAP AND INSERTION AREA LEVEL 2	ROW A+C , EVERY PITCH	2	NO
V42254-P2266-C965	7-1393637-0	C96	13mm PRESS-IN TERMINALS WITH WIRE-WRAP AND INSERTION AREA LEVEL 2	EVERY ROW , EVERY EVEN PITCH	2	NO
V42254-P2266-C968	7-1393637-1	C96	13mm PRESS-IN TERMINALS WITH WIRE-WRAP AND INSERTION AREA LEVEL 2	ROW A+C , EVERY EVEN PITCH	2	NO
V42254-P2267-C960	7-1393637-3	C96	17mm PRESS-IN TERMINALS WITH WIRE-WRAP AND INSERTION AREA LEVEL 2	EVERY ROW , EVERY PITCH	2	NO
V42254-P2267-C963	7-1393637-4	C96	17mm PRESS-IN TERMINALS WITH WIRE-WRAP AND INSERTION AREA LEVEL 2	ROW A+C , EVERY PITCH	2	NO
V42254-P2270-C483	2-1392009-0	C48	6,0mm PRESS-IN TERMINALS	ROW A+C , EVERY PITCH	2	NO
V42254-P2270-C960	8-1393637-0	C96	6,0mm PRESS-IN TERMINALS	EVERY ROW , EVERY PITCH	2	NO
V42254-P2270-C960N	8-1393637-2	C96	6,0mm PRESS-IN TERMINALS	EVERY ROW , EVERY PITCH	2	NO
V42254-P2270-C963	8-1393637-4	C96	6,0mm PRESS-IN TERMINALS	ROW A+C , EVERY PITCH	2	NO
V42254-P2270-C963N	8-1393637-6	C96	6,0mm PRESS-IN TERMINALS	ROW A+C , EVERY PITCH	2	NO
V42254-P2270-C968	8-1393637-7	C96	6,0mm PRESS-IN TERMINALS	ROW A+C , EVERY EVEN PITCH	2	NO
V42254-P2470-C960	1-1393638-2	C96	6,0mm PRESS-IN TERMINALS	EVERY ROW , EVERY PITCH	1	NO
V42254-P2470-C963	1-1393638-3	C96	6,0mm PRESS-IN TERMINALS	ROW A+C , EVERY PITCH	1	NO

SUPERSEDED BY 4-1393637-6

SUPERSEDED BY 7-1393637-3

SUPERSEDED BY 5650865-5

1) CONNECTORS WITHOUT MARKING, IN TE PACKAGING.  
ACTIVE PART NUMBERS.  
CONTACT TE FOR OTHER CONFIGURATION AVAILABILITY

THIS DRAWING IS A CONTROLLED DOCUMENT.		DN CUVELIER	07JUN94		TE Connectivity	
DIMENSIONS: mm		CHK	-		RECEPTACLE ASSEMBLY EUROCARD PRESS FIT, TYPES B,C AND SHORT VERSIONS (PN:V42254-P2***-C***-7626)	
TOLERANCES UNLESS OTHERWISE SPECIFIED:		APVD	-	NAME		
0 PLC ± -		PRODUCT SPEC		SIZE		
1 PLC ± -		APPLICATION SPEC		CASE CODE		
2 PLC ± -		WEIGHT		DRAWING NO		
3 PLC ± -		CUSTOMER DRAWING		RESTRICTED TO		
4 PLC ± -		SCALE		SHEET		
ANGLES ± -		NTS		2 OF 2		
MATERIAL		FINISH		REV		
-		-		D6		

## Данный компонент на территории Российской Федерации

### Вы можете приобрести в компании MosChip.

Для оперативного оформления запроса Вам необходимо перейти по данной ссылке:

<http://moschip.ru/get-element>

Вы можете разместить у нас заказ для любого Вашего проекта, будь то серийное производство или разработка единичного прибора.

В нашем ассортименте представлены ведущие мировые производители активных и пассивных электронных компонентов.

Нашей специализацией является поставка электронной компонентной базы двойного назначения, продукции таких производителей как XILINX, Intel (ex.ALTERA), Vicor, Microchip, Texas Instruments, Analog Devices, Mini-Circuits, Amphenol, Glenair.

Сотрудничество с глобальными дистрибьюторами электронных компонентов, предоставляет возможность заказывать и получать с международных складов практически любой перечень компонентов в оптимальные для Вас сроки.

На всех этапах разработки и производства наши партнеры могут получить квалифицированную поддержку опытных инженеров.

Система менеджмента качества компании отвечает требованиям в соответствии с ГОСТ Р ИСО 9001, ГОСТ РВ 0015-002 и ЭС РД 009

### Офис по работе с юридическими лицами:

105318, г.Москва, ул.Щербаковская д.3, офис 1107, 1118, ДЦ «Щербаковский»

Телефон: +7 495 668-12-70 (многоканальный)

Факс: +7 495 668-12-70 (доб.304)

E-mail: [info@moschip.ru](mailto:info@moschip.ru)

Skype отдела продаж:

moschip.ru

moschip.ru\_4

moschip.ru\_6

moschip.ru\_9