



FEATURES

- LVPECL or LVDS input to 22 LVPECL outputs
- 100K ECL compatible outputs
- LVDS input includes 100Ω termination
- Guaranteed AC parameters over voltage:
 - > 2GHz f_{MAX} (toggle)
 - < 35ps max. ch-ch skew
- Low voltage operation: 2.5V, 3.3V
- Temperature range: -40°C to +85°C
- Output enable pin
- Available in a 64-Pin EPAD-TQFP

APPLICATIONS

- High-performance PCs
- Workstations
- Parallel processor-based systems
- Other high-performance computing
- Communications



Precision Edge®

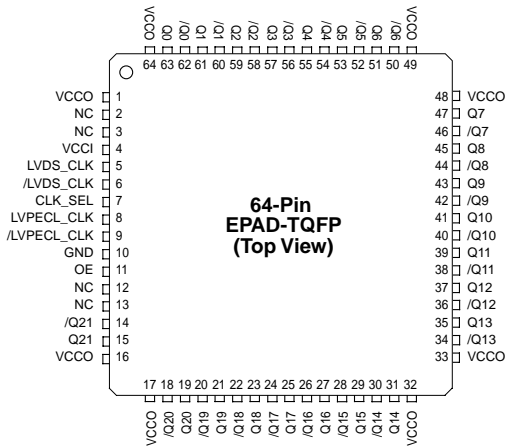
DESCRIPTION

The SY89825U is a High Performance Bus Clock Driver with 22 differential LVPECL output pairs. This part is designed for use in low voltage (2.5V, 3.3V) applications which require a large number of outputs to drive precisely aligned, ultra low skew signals to their destination. The input is multiplexed from either LVDS or LVPECL by the CLK_SEL pin. The LVDS input includes a 100Ω internal termination, thus eliminating the need for external termination. The Output Enable (OE) is synchronous so that the outputs will only be enabled/disabled when they are already in the LOW state. This eliminates any chance of generating a runt clock pulse when the device is enabled/disabled as can happen with an asynchronous control.

The SY89825U features low pin-to-pin skew (35ps max.) —performance previously unachievable in a standard product having such a high number of outputs. The SY89825U is available in a single space saving package which provides a lower overall cost solution. In addition, a single chip solution improves timing budgets by eliminating the multiple device solution with their corresponding large part-to-part skew.

PACKAGE/ORDERING INFORMATION

Ordering Information⁽¹⁾



64-Pin EPAD-TQFP (H64-1)

Part Number	Package Type	Operating Range	Package Marking	Lead Finish
SY89825UHI	H64-1	Industrial	SY89825UHI	Sn-Pb
SY89825UHITR ⁽²⁾	H64-1	Industrial	SY89825UHI	SN-PB
SY89825UHY ⁽³⁾	H64-1	Industrial	SY89825UHY with Pb-Free bar-line indicator	Pb-Free Matte-Sn
SY89825UHYTR ^(2,3)	H64-1	Industrial	SY89825UHY with Pb-Free bar-line indicator	Pb-Free Matte-Sn

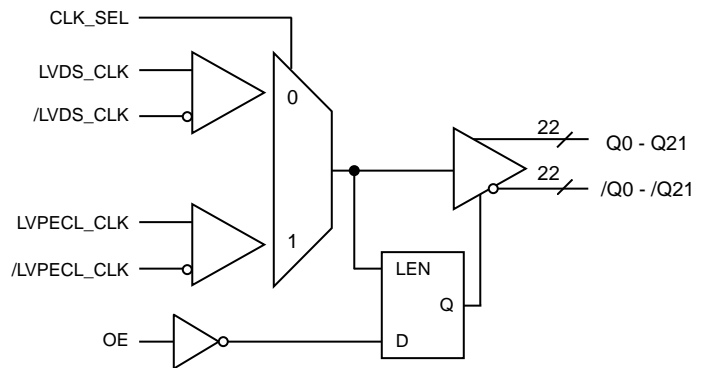
Notes:

1. Contact factory for die availability. Dice are guaranteed at T_A = 25°C, DC electricals only.
2. Tape and Reel.
3. Pb-Free package recommended for new designs.

PIN NAMES

Pin	Function
LVDS_CLK, /LVDS_CLK	Differential LVDS Inputs (Internal 100Ω termination included)
LVPECL_CLK, /LVPECL_CLK	Differential LVPECL Inputs.
CLK_SEL	Input CLK Select (LVTTTL)
OE	Output Enable (LVTTTL)
Q ₀ - Q ₂₁ , /Q ₀ - /Q ₂₁	Differential LVPECL Outputs. Terminate with 50Ω to V _{CC} -2V
GND	Ground
V _{CCI}	Power Supply. Connect to V _{CC} on PCB. V _{CCI} and V _{CCO} are not internally connected
V _{CCO}	Power Supply for Output Buffer. Connect to V _{CCI} on PCB. V _{CCI} and V _{CCO} are not internally connected

LOGIC SYMBOL



TRUTH TABLE

OE ⁽¹⁾	CLK_SEL	Q ₀ – Q ₂₁	/Q ₀ – /Q ₂₁
0	0	LOW	HIGH
0	1	LOW	HIGH
1	0	LVDS_CLK	/LVDS_CLK
1	1	LVPECL_CLK	/LVPECL_CLK

SIGNAL GROUPS

Signal	I/O	Level
LVDS_CLK, /LVDS_CLK	Input	LVDS
Q ₀ – Q ₂₁ , /Q ₀ – /Q ₂₁	Output	LVPECL
LVPECL_CLK, /LVPECL_CLK	Input	LVPECL
CLK_SEL, OE	Input	LVC MOS/LVTTL

NOTE:

- The OE (output enable) signal is synchronized with the low level of the LVDS_CLK and LVPECL_CLK signal.

ABSOLUTE MAXIMUM RATINGS⁽¹⁾

Symbol	Rating	Value	Unit	
V _{CCI} /V _{CCO}	V _{CC} Pin Potential to Ground Pin	–0.5 to +4.0	V	
V _{IN}	Input Voltage	–0.5 to V _{CCI}	V	
I _{OUT}	DC Output Current	–50	mA	
T _{store}	Storage Temperature	–65 to +150	°C	
θ _{JA}	Package Thermal Resistance (Junction-to-Ambient)			
	<u>With</u> exposed pad soldered to GND	– Still-Air (multi-layer PCB)	23	°C/W
		– 200lfpm (multi-layer PCB)	18	°C/W
		– 500lfpm (multi-layer PCB)	15	°C/W
	Exposed pad <u>not</u> soldered to GND	– Still-Air (multi-layer PCB)	44	°C/W
		– 200lfpm (multi-layer PCB)	36	°C/W
– 500lfpm (multi-layer PCB)		30	°C/W	
θ _{JC}	Package Thermal Resistance (Junction-to-Case)	4.3	°C/W	

NOTE:

- Permanent device damage may occur if ABSOLUTE MAXIMUM RATINGS are exceeded. This is a stress rating only and functional operation is not implied at conditions other than those detailed in the operational sections of this data book. Exposure to ABSOLUTE MAXIMUM RATING conditions for extended periods may affect device reliability.

DC ELECTRICAL CHARACTERISTICS**Power Supply**

Symbol	Parameter	T _A = -40°C			T _A = +25°C			T _A = +85°C			Unit
		Min.	Typ.	Max.	Min.	Typ.	Max.	Min.	Typ.	Max.	
V _{CCI} , V _{CCO}	Power Supply ⁽¹⁾	2.37	—	3.6	2.37	—	3.8	2.37	—	3.6	V
I _{CC}	Total Supply Current ⁽²⁾	—	100	150	—	100	150	—	100	150	mA

Notes:

- V_{CCI} and V_{CCO} must be connected together on the PCB such that they remain at the same potential. V_{CCI} and V_{CCO} are not internally connected on the die.
- No load. Outputs floating.

LVDS Input (V_{CC} = 2.37V to 3.6V, GND = 0V)

Symbol	Parameter	T _A = -40°C			T _A = +25°C			T _A = +85°C			Unit
		Min.	Typ.	Max.	Min.	Typ.	Max.	Min.	Typ.	Max.	
V _{IN}	Input Voltage Range	0	—	2.4	0	—	2.4	0	—	2.4	V
V _{ID}	Differential Input Swing	100	—	—	100	—	—	100	—	—	mV
I _{IL}	Input Low Current ⁽¹⁾	-1.25	—	—	-1.25	—	—	-1.25	—	—	mA
R _{IN}	LVDS Differential Input Resistance (LVDS_CLK to /LVDS_CLK)	80	100	120	80	100	120	80	100	120	Ω

Note:

- For I_{IL}, both LVDS inputs are grounded.

LVPECL Input/Output (V_{CC} = 2.37V to 3.6V, GND = 0V)

Symbol	Parameter	T _A = -40°C		T _A = +25°C		T _A = +85°C		Unit
		Min.	Max.	Min.	Max.	Min.	Max.	
V _{IH}	Input HIGH Voltage (Single ended)	V _{CC} - 1.165	V _{CC} - 0.88	V _{CC} - 1.165	V _{CC} - 0.88	V _{CC} - 1.165	V _{CC} - 0.88	V
V _{IL}	Input LOW Voltage	V _{CC} - 1.945	V _{CC} - 1.625	V _{CC} - 1.945	V _{CC} - 1.625	V _{CC} - 1.945	V _{CC} - 1.625	V
V _{PP}	Minimum Input Swing ⁽¹⁾ LVPECL_CLK	600	—	600	—	600	—	mV
V _{CMR}	Common Mode Range ⁽²⁾ LVPECL_CLK	-1.5	-0.4	-1.5	-0.4	-1.5	-0.4	V
V _{OH}	Output HIGH Voltage ⁽³⁾	V _{CCO} - 1.085	V _{CCO} - 0.880	V _{CCO} - 1.025	V _{CCO} - 0.880	V _{CCO} - 1.025	V _{CCO} - 0.880	V
V _{OL}	Output LOW Voltage ⁽³⁾	V _{CCO} - 1.830	V _{CCO} - 1.555	V _{CCO} - 1.810	V _{CCO} - 1.620	V _{CCO} - 1.810	V _{CCO} - 1.620	V
I _{IH}	Input HIGH Current	—	150	—	150	—	150	μA
I _{IL}	Input LOW Current	0.5	—	0.5	—	0.5	—	μA

Notes:

- The V_{PP} (min.) is defined as the minimum input differential voltage which will cause no increase in the propagation delay.
- V_{CMR} is defined as the range within which the V_{IH} level may vary, with the device still meeting the propagation delay specification. The numbers in the table are referenced to V_{CCI}. The V_{IL} level must be such that the peak-to-peak voltage is less than 1.0V and greater than or equal to V_{PP} (min.). The lower end of the CMR range varies 1:1 with V_{CCI}. The V_{CMR} (min) will be fixed at 3.3V - |V_{CMR} (min)|.
- Outputs loaded with 50Ω to V_{CC} - 2V.

LVC MOS/LVTTL Control Inputs (OE, CLK_SEL) (V_{CC} = 2.37V to 3.6V, GND = 0V)

Symbol	Parameter	T _A = -40°C			T _A = +25°C			T _A = +85°C			Unit
		Min.	Typ.	Max.	Min.	Typ.	Max.	Min.	Typ.	Max.	
V _{IH}	Input HIGH Voltage	2.0	—	—	2.0	—	—	2.0	—	—	V
V _{IL}	Input LOW Voltage	—	—	0.8	—	—	0.8	—	—	0.8	V
I _{IH}	Input HIGH Current	+20	—	-250	+20	—	-250	+20	—	-250	μA
I _{IL}	Input LOW Current	—	—	-600	—	—	-600	—	—	-600	μA

AC ELECTRICAL CHARACTERISTICS⁽¹⁾

V_{CC} = 2.37V to 3.6V, GND = 0V

Symbol	Parameter	T _A = -40°C			T _A = +25°C			T _A = +85°C			Unit
		Min.	Typ.	Max.	Min.	Typ.	Max.	Min.	Typ.	Max.	
f _{MAX}	Max Toggle Frequency ⁽²⁾	2	—	—	2	—	—	2	—	—	GHz
t _{PHL} t _{PLH}	Propagation Delay (Differential) ⁽³⁾										ns
	LVPECL IN	0.600	—	1.2	0.600	0.900	1.2	0.600	—	1.2	
	LVDS IN	0.800	—	1.4	0.800	1.1	1.4	0.800	—	1.4	
t _{SKEW}	Within-Device Skew ⁽⁴⁾	—	—	35	—	20	35	—	—	35	ps
	Part-to-Part Skew ⁽⁵⁾	—	100	200	—	100	200	—	100	200	ps
t _{S(OE)}	OE Set-Up Time ⁽⁶⁾	1.0	—	—	1.0	—	—	1.0	—	—	ns
t _{H(OE)}	OE Hold Time ⁽⁶⁾	0.5	—	—	0.5	—	—	0.5	—	—	ns
t _{JITTER}	Random Jitter ⁽⁷⁾	—	—	1	—	—	1	—	—	1	ps _(RMS)
	Cycle-to-Cycle Jitter ⁽⁸⁾	—	—	1	—	—	1	—	—	1	ps _(RMS)
	Total Jitter ⁽⁹⁾	—	—	10	—	—	10	—	—	10	ps _(PP)
t _r t _f	Output Rise/Fall Time (20% – 80%)	300	—	600	300	450	600	300	—	600	ps
t _(switchover)	Input Switchover CLK_SEL-to-valid output	—	—	1.2	—	—	1.2	—	—	1.2	ns

Notes:

1. Outputs loaded with 50Ω to V_{CC} – 2V. Airflow ≥ 300lfpm.
2. f_{MAX} is defined as the maximum toggle frequency measured. Measured with a 750mV input signal, all loading with 50Ω to V_{CC} – 2V.
3. Differential propagation delay is defined as the delay from the crossing point of the differential input signals to the crossing point of the differential output signals.
4. The within-device skew is defined as the worst case difference between any two similar delay paths within a single device operating at the same voltage and temperature.
5. The part-to-part skew is defined as the absolute worst case difference between any two delay paths on any two devices operating at the same voltage and temperature. Part-to-part skew is the total skew difference; pin-to-pin skew + part-to-part skew.
6. Set-up and hold time applies to synchronous applications that intend to enable/disable before the next clock cycle. For asynchronous applications, set-up and hold time does not apply. OE set-up time is defined with respect to the rising edge of the clock. OE HIGH to LOW transition ensures outputs remain disabled during the next clock cycle. OE LOW to HIGH transition enables normal operation of the next input clock.
7. Random jitter is measured using K28.7 pattern, measured at ≤ f_{MAX}.
8. Cycle-to-cycle definition: the variation of periods between adjacent cycles, T_n–T_{n-1} where T is the time between rising edges of the output signal.
9. Total jitter definition: with an ideal clock input of frequency ≤ f_{MAX}, no more than one output edge in 10²⁰ output edges will deviate by more than the specified peak-to-peak jitter value.

LVDS/LVPECL INPUTS

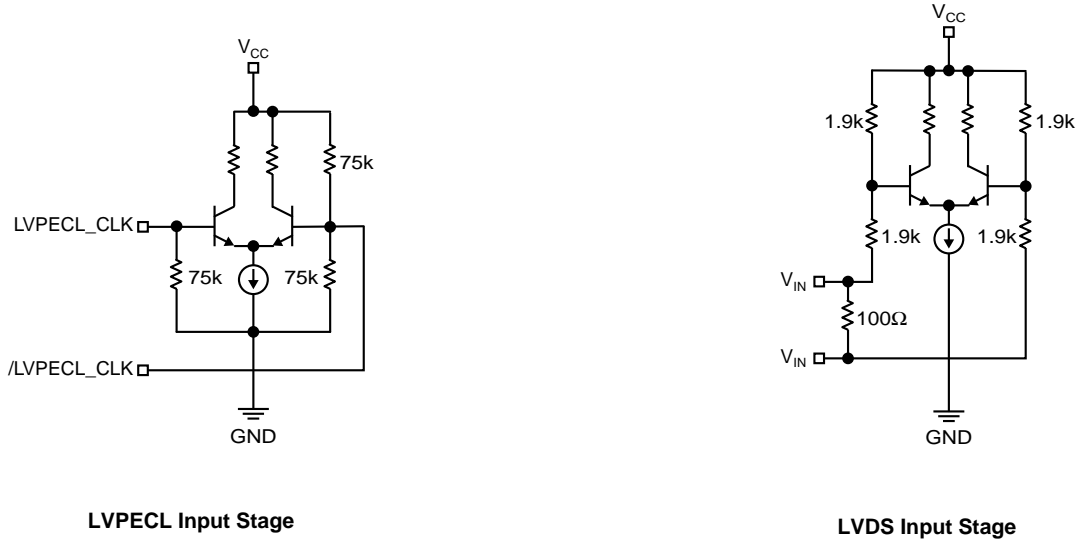
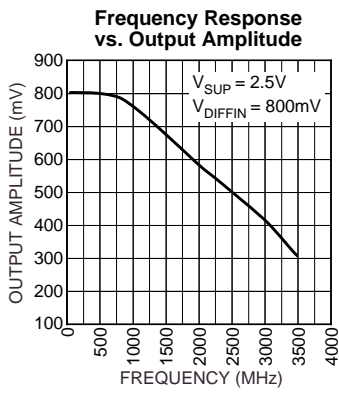
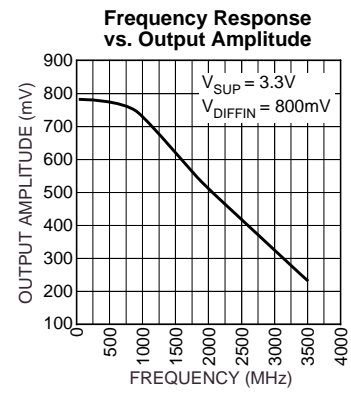


Figure 1. Simplified LVPECL & LVDS Input Stage

TYPICAL CHARACTERISTICS



Frequency Response vs. Output Amplitude @2.5V



Frequency Response vs. Output Amplitude @3.3V

LVPECL TERMINATION RECOMMENDATIONS

Output Considerations

Be sure to properly terminate all outputs as shown below, or equivalent. For AC coupled applications, be sure to include a pull

down resistor at the output of each driver. The emitter follower outputs requires a DC current path to GND. Unused outputs can be left floating with minimal impact on skew and jitter.

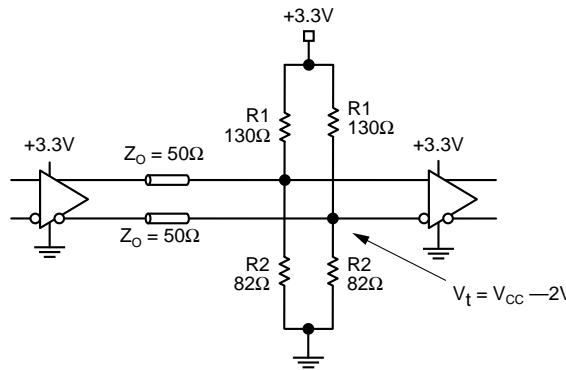


Figure 1. Parallel Termination-Thevenin Equivalent

Notes:

- 1. For +2.5V systems:
R1 = 250Ω
R2 = 62.5Ω

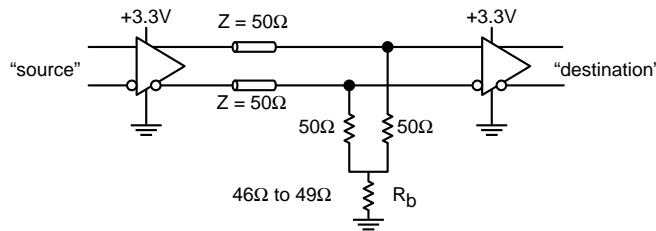
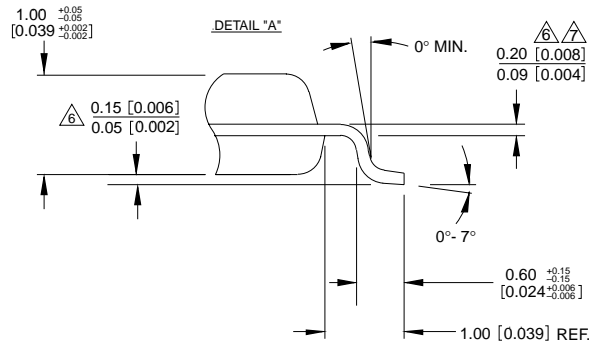
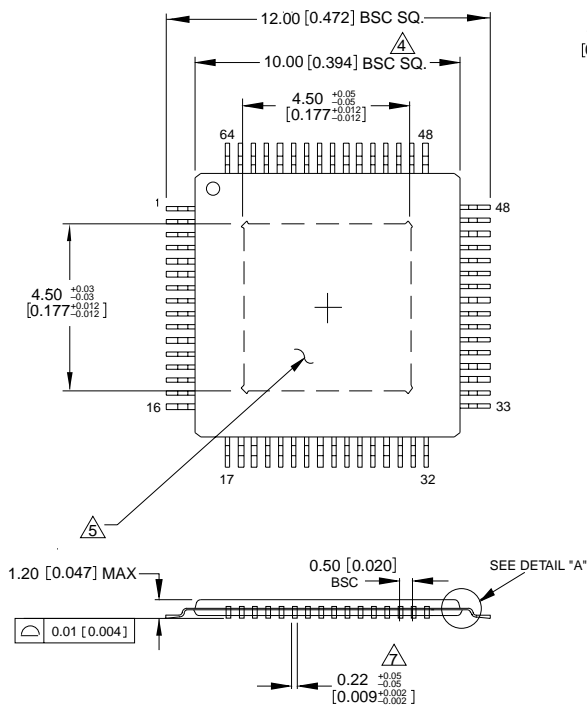


Figure 2. Three-Resistor "Y-Termination"

Notes:

- 1. Power-saving alternative to Thevenin termination.
- 2. Place termination resistors as close to destination inputs as possible.
- 3. R_b resistor sets the DC bias voltage equal to V_t. For +3.3V systems R_b = 46Ω to 49Ω.
- 4. Precision, low-cost 3-Resistor networks are available from resistor manufacturers such as Thin Film Technology (www.thinfilm.com).

64-PIN EPAD-TQFP (DIE UP) (H64-1)



- NOTES:**
1. DIMENSIONS ARE IN MM[INCHES].
 2. CONTROLLING DIMENSION: MM.
 3. EXPOSED PAD: Cu WITH Sn/Pb PLATING.
 - △ DIMENSION DOES NOT INCLUDE MOLD FLASH OF 0.254[0.010] MAX.
 - △ DIE UP ORIENTATION SHOWN. EXPOSED PAD IS VISIBLE FROM BOTTOM OF PACKAGE.
 - △ MAXIMUM AND MINIMUM SPECIFICATIONS ARE INDICATED AS FOLLOWS: $\frac{\text{MAX}}{\text{MIN}}$
 - △ THIS DIMENSION INCLUDES LEAD FINISH.

Rev. 03

MICREL, INC. 2180 FORTUNE DRIVE SAN JOSE, CA 95131 USA

TEL + 1 (408) 944-0800 FAX + 1 (408) 474-1000 WEB <http://www.micrel.com>

The information furnished by Micrel in this data sheet is believed to be accurate and reliable. However, no responsibility is assumed by Micrel for its use. Micrel reserves the right to change circuitry and specifications at any time without notification to the customer.

Micrel Products are not designed or authorized for use as components in life support appliances, devices or systems where malfunction of a product can reasonably be expected to result in personal injury. Life support devices or systems are devices or systems that (a) are intended for surgical implant into the body or (b) support or sustain life, and whose failure to perform can be reasonably expected to result in a significant injury to the user. A Purchaser's use or sale of Micrel Products for use in life support appliances, devices or systems is at Purchaser's own risk and Purchaser agrees to fully indemnify

Micrel for any damages resulting from such use or sale.

© 2005 Micrel, Incorporated.

Данный компонент на территории Российской Федерации

Вы можете приобрести в компании MosChip.

Для оперативного оформления запроса Вам необходимо перейти по данной ссылке:

<http://moschip.ru/get-element>

Вы можете разместить у нас заказ для любого Вашего проекта, будь то серийное производство или разработка единичного прибора.

В нашем ассортименте представлены ведущие мировые производители активных и пассивных электронных компонентов.

Нашей специализацией является поставка электронной компонентной базы двойного назначения, продукции таких производителей как XILINX, Intel (ex.ALTERA), Vicor, Microchip, Texas Instruments, Analog Devices, Mini-Circuits, Amphenol, Glenair.

Сотрудничество с глобальными дистрибьюторами электронных компонентов, предоставляет возможность заказывать и получать с международных складов практически любой перечень компонентов в оптимальные для Вас сроки.

На всех этапах разработки и производства наши партнеры могут получить квалифицированную поддержку опытных инженеров.

Система менеджмента качества компании отвечает требованиям в соответствии с ГОСТ Р ИСО 9001, ГОСТ РВ 0015-002 и ЭС РД 009

Офис по работе с юридическими лицами:

105318, г.Москва, ул.Щербаковская д.3, офис 1107, 1118, ДЦ «Щербаковский»

Телефон: +7 495 668-12-70 (многоканальный)

Факс: +7 495 668-12-70 (доб.304)

E-mail: info@moschip.ru

Skype отдела продаж:

moschip.ru

moschip.ru_4

moschip.ru_6

moschip.ru_9