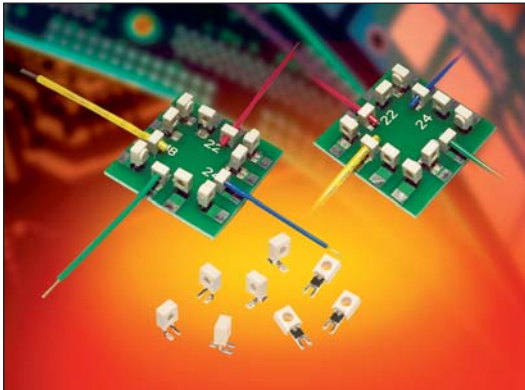


Single Tine SMT 18-24 AWG: WTB

9176-650



The market and applications for simple and reliable discrete Wire-to-Board (WTB) connectors continue to evolve. Developed for harsh industrial and automotive applications, Insulation Displacement Connectors (IDC) have been used in hundreds of applications connecting wires to PCB's from transportation wiring to every day LED lighting and smart meter/sensor connections. Size, performance and simplicity have been the key factors for selecting this connector when long term reliability is critical.

This single contact version of the proven 9176 family of connectors offers a lower cost solution to the market with only a 10% reduction in current rating. The SMT footprint is backward compatible with the standard dual contact configurations; offers all the same wire gauges and termination benefits of the integrated cap and provides a 10% height reduction.

APPLICATIONS

- Machine Controls: motors, drives, solenoids, sensors, fans and pumps
- Commercial Buildings: controls, security, fire and sensors
- Smart Grid: meters, breakers and panels
- SSL/LED: bulbs, fixtures, signage and streetlights
- Application notes: reference 201-01-142

FEATURES AND BENEFITS

- IDC contact provides a gas-tight connection to the PCB for long term reliability
- Plastic cap retains the contact in position prior to automatic placement, then acts as the assembly tool to terminate the wires; no special tooling.
- Tested to automotive levels on shock, vibration and temperature cycling for reliability
- Identical contact and footprint pattern to the existing 9176 for full backward compatibility and functionality
- The IDC contact reduces the total applied cost versus solder or crimp processes
- Connectors are available in two configurations for maximum flexibility: End and Through Wire

ELECTRICAL

- Current Rating: See matrix below
- Voltage Rating: 600 VAC

ENVIRONMENTAL

- Operating Temperature: -40°C to +125°C

MECHANICAL

- Contact Material: Phosphor Bronze
- Contact Plating: Tin over Nickel
- Durability: 3 Cycles

HOW TO ORDER

00 Prefix
9176 Series
001 Number of Ways
001 = 1

65X Contact Style

9 Color Option
9 = UL White

X Cap Options

6 Plating Option
Tin Plated

| Code | Description | Accepted Wire Gauge | Wire Gauges |
|------|-----------------------------------|---------------------------|-------------|
| 650 | Capped IDC Connector SMT Mount | 18 AWG Stranded | ø1.6-2.1 |
| 651 | | 20 AWG Solid and Stranded | ø1.6-2.1 |
| 652 | | 22 AWG Solid and Stranded | ø1.1-1.6 |
| 653 | | 24 AWG Solid and Stranded | ø1.1-1.6 |

| Code | Cap Option | Description | Details |
|------|--------------|--|------------|
| 0 | Through Wire | Allows wire to be terminated at any point | See page 2 |
| 9 | Wire Stop | Terminates end of wire End protected by stop face | See page 3 |

CURRENT RATING

| 18AWG | 20AWG | 22AWG | 24AWG |
|-------|-------|-------|-------|
| 9A | 8A | 6A | 5A |

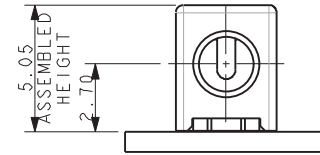
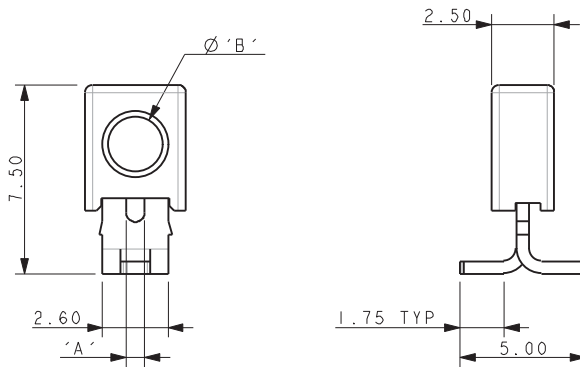
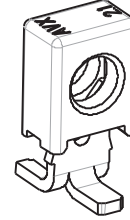
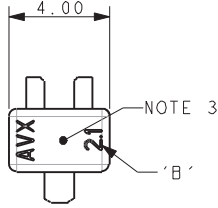
Certification: UL File #E90723



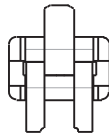
Single Tine SMT 18-24 AWG: WTB

9176-650

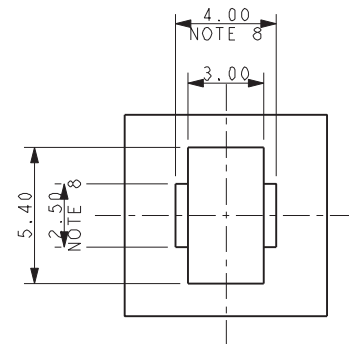
18-24 AWG 1 WAY IDC CONNECTOR THROUGH WIRE CAPPED



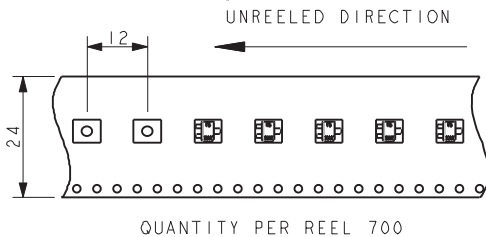
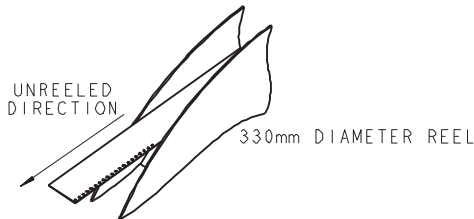
| Code | Accepted Wire Gauge | A | Wire Insulation | B |
|------|--------------------------|------|-----------------|-----|
| 650 | 18 AWG Stranded | 0.74 | Ø 1.6-2.1 | 2.1 |
| 651 | 20 AWG Solid or Stranded | 0.60 | Ø 1.6-2.1 | 2.1 |
| 652 | 22 AWG Solid or Stranded | 0.47 | Ø 1.1-1.6 | 1.6 |
| 653 | 24 AWG Solid or Stranded | 0.37 | Ø 1.1-1.6 | 1.6 |



SUGGESTED PCB LAYOUT



PACKING DETAILS



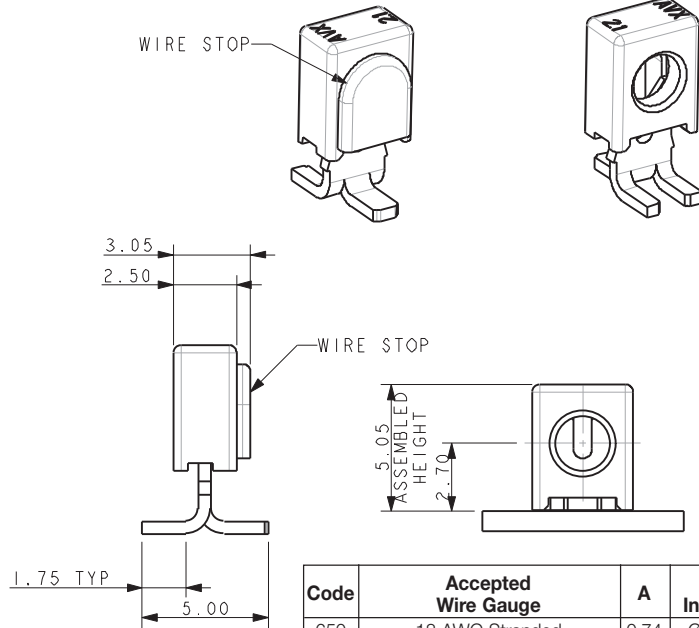
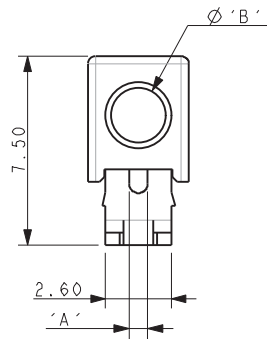
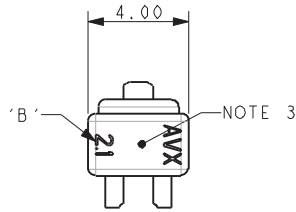
NOTES:

- 1 WAY CONNECTOR FOR IDC WIRE TO BOARD CONNECTION, PRE-ASSEMBLED THROUGH WIRE CAP, CODE SEE PAGE 1.
- CONTACT/CAP TO MATCH 20AWG-24AWG SOLID AND STRANDED WIRES, 18AWG WILL ONLY ACCEPT STRANDED WIRES, SEE TABLE.
- FLAT FACE ON TOP OF CAP TO AID PICK AND PLACE ASSEMBLY, MAXIMUM DIAMETER 1.8MM.
- FOR FULL PRODUCT SPECIFICATION ON STANDARD CONNECTORS REFER TO ELCO SPEC 201-01-163.
- ASSEMBLY PROCEDURE, REFER TO APPLICATION NOTES 201-01-142.
- GENERAL TOLERANCE ± 0.20 UNLESS STATED.
- PACKED IN TAPE AND REEL, QUANTITY PER REEL 700.
- CONNECTOR OUTLINE.
- CONTACT MATERIAL: TIN PLATED COPPER ALLOY.
- INSULATION MATERIAL: HIGH TEMPERATURE NYLON, GLASS FILLED, UL94 V-O. COLOR REFER TO PAGE 1.

Single Tine SMT 18-24 AWG: WTB

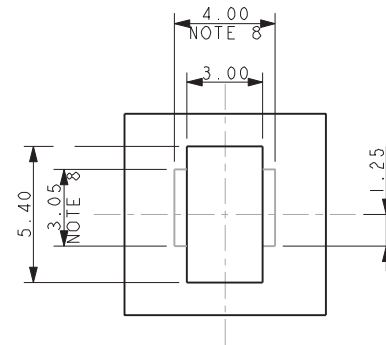
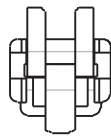
9176-650

18-24 AWG 1 WAY IDC CONNECTOR WIRE STOP CAPPED

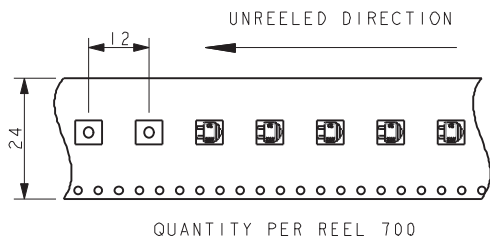
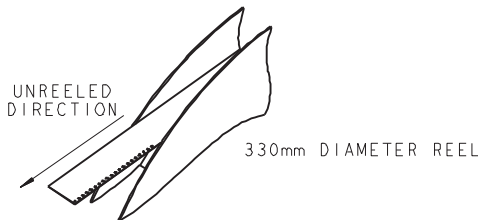


| Code | Accepted Wire Gauge | A | Wire Insulation | B |
|------|--------------------------|------|-----------------|-----|
| 650 | 18 AWG Stranded | 0.74 | Ø 1.6-2.1 | 2.1 |
| 651 | 20 AWG Solid or Stranded | 0.60 | Ø 1.6-2.1 | 2.1 |
| 652 | 22 AWG Solid or Stranded | 0.47 | Ø 1.1-1.6 | 1.6 |
| 653 | 24 AWG Solid or Stranded | 0.37 | Ø 1.1-1.6 | 1.6 |

SUGGESTED PCB LAYOUT



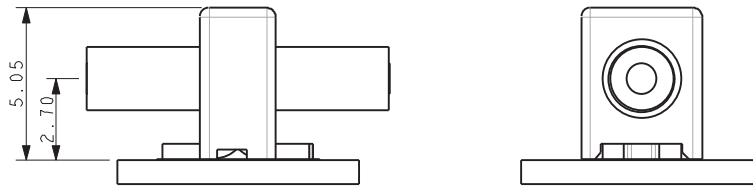
PACKING DETAILS



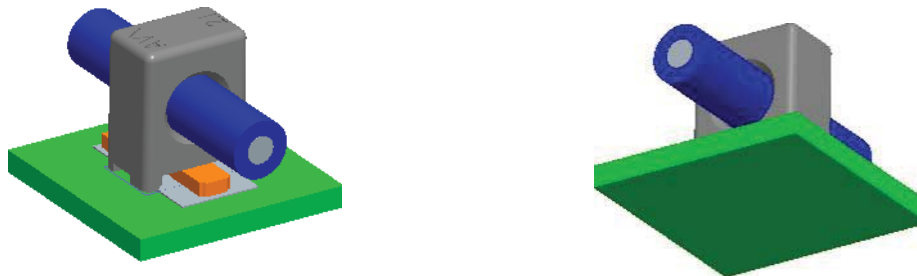
NOTES:

- 1 WAY CONNECTOR FOR IDC WIRE TO BOARD CONNECTION, PRE-ASSEMBLED WIRE STOP CAP, CODE SEE PAGE 1.
- CONTACT/CAP TO MATCH 20AWG-24AWG SOLID AND STRANDED WIRES, 18AWG WILL ONLY ACCEPT STRANDED WIRES, SEE TABLE.
- FLAT FACE ON TOP OF CAP TO AID PICK AND PLACE ASSEMBLY, MAXIMUM DIAMETER 1.8MM.
- FOR FULL PRODUCT SPECIFICATION ON STANDARD CONNECTORS REFER TO ELCO SPEC 201-01-163.
- ASSEMBLY PROCEDURE, REFER TO APPLICATION NOTES 201-01-142.
- GENERAL TOLERANCE ± 0.20 UNLESS STATED.
- PACKED IN TAPE AND REEL, QUANTITY PER REEL 700.
- CONNECTOR OUTLINE.
- CONTACT MATERIAL: TIN PLATED COPPER ALLOY.
- INSULATION MATERIAL: HIGH TEMPERATURE NYLON, GLASS FILLED, UL94 V-O. COLOR REFER TO PAGE 1.
- WIRE STOP CAP PROTECTS END OF WIRE.

18-24 AWG ASSEMBLED CAPPE IDC CONNECTORS



NOMINAL ASSEMBLED HEIGHTS



TYPICAL THROUGH WIRE ASSEMBLIES



TYPICAL WIRE STOP ASSEMBLIES

Данный компонент на территории Российской Федерации

Вы можете приобрести в компании MosChip.

Для оперативного оформления запроса Вам необходимо перейти по данной ссылке:

<http://moschip.ru/get-element>

Вы можете разместить у нас заказ для любого Вашего проекта, будь то серийное производство или разработка единичного прибора.

В нашем ассортименте представлены ведущие мировые производители активных и пассивных электронных компонентов.

Нашей специализацией является поставка электронной компонентной базы двойного назначения, продукции таких производителей как XILINX, Intel (ex.ALTERA), Vicor, Microchip, Texas Instruments, Analog Devices, Mini-Circuits, Amphenol, Glenair.

Сотрудничество с глобальными дистрибьюторами электронных компонентов, предоставляет возможность заказывать и получать с международных складов практически любой перечень компонентов в оптимальные для Вас сроки.

На всех этапах разработки и производства наши партнеры могут получить квалифицированную поддержку опытных инженеров.

Система менеджмента качества компании отвечает требованиям в соответствии с ГОСТ Р ИСО 9001, ГОСТ РВ 0015-002 и ЭС РД 009

Офис по работе с юридическими лицами:

105318, г.Москва, ул.Щербаковская д.3, офис 1107, 1118, ДЦ «Щербаковский»

Телефон: +7 495 668-12-70 (многоканальный)

Факс: +7 495 668-12-70 (доб.304)

E-mail: info@moschip.ru

Skype отдела продаж:

moschip.ru

moschip.ru_4

moschip.ru_6

moschip.ru_9