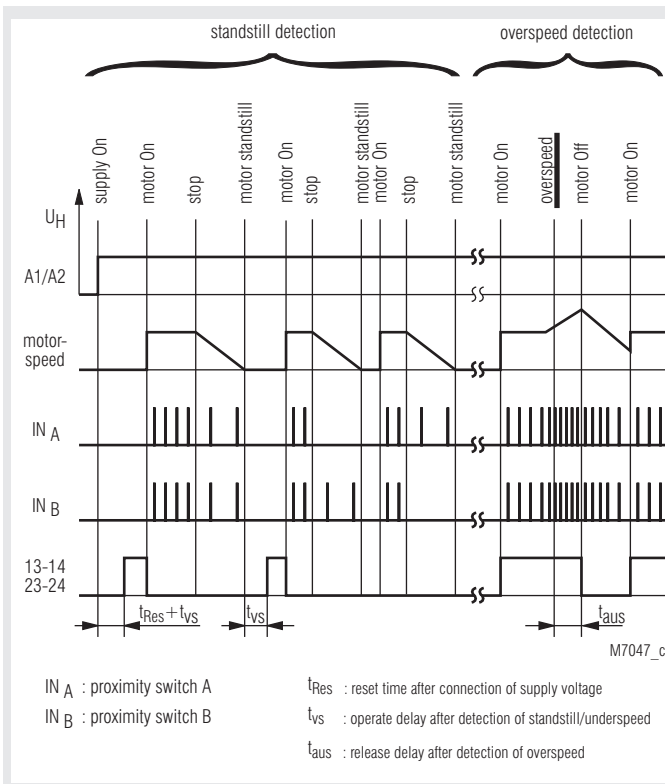




- According to
 - Performance Level (PL) e and category 3 to EN ISO 13849-1: 2008
 - SIL Claimed Level (SIL CL) 3 to IEC/EN 62061
 - Safety Integrity Level (SIL) 3 to IEC/EN 61508 and IEC/EN 61511
- For stop category 0 according to EN 418
- 2-channel input
- To monitor rotation and linear movement
- PNP proximity sensor inputs
- Optionally inputs for NPN proximity sensors
- Monitoring of connected sensor
- Fixed setting, adjustable as option
- Energized when speed is under setting value
- LED indication
- Feedback circuit X1 - X2 to monitor external contacts
- Forcibly guided contacts
- 2 NO, 1 NC contact
- Wire connection: also 2 x 1.5 mm² stranded ferruled (isolated), DIN 46 228-1/-2/-3/-4 or 2 x 2.5 mm² stranded ferruled DIN 46 228-1/-2/-3
- Width 45 mm

Function Diagram



Approvals and Marking



* see variants

Applications

Monitoring of speed or standstill also during setup operation

Indication

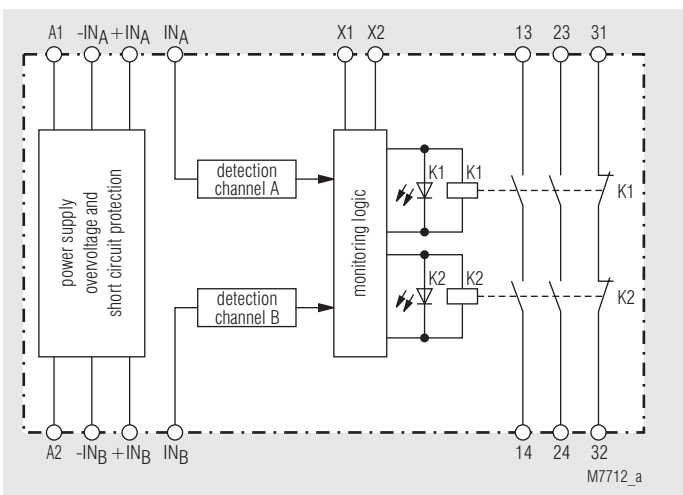
Standstill monitoring:

1. green LED: on, when supply voltage connected
2. green LED: on, when standstill detected on channel 1
3. green LED: on, when standstill detected on channel 2

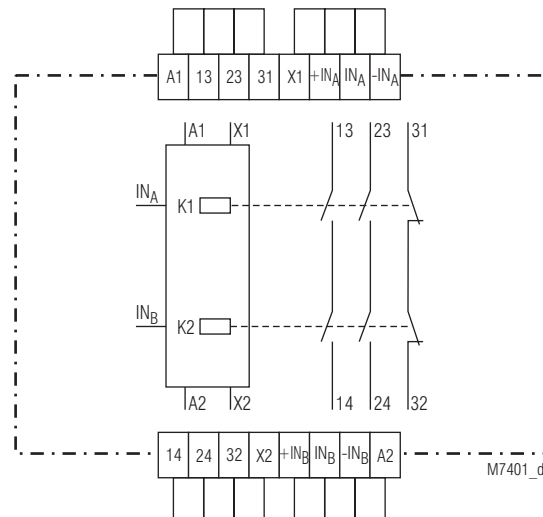
Overspeed monitoring:

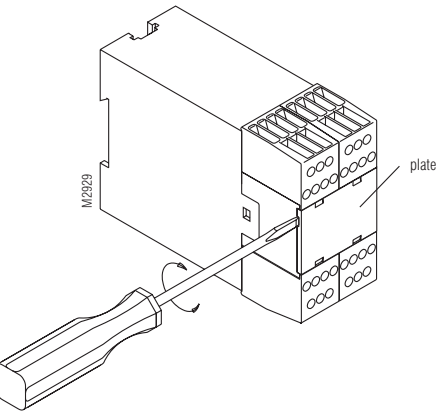
1. green LED: on, when supply voltage connected
2. green LED: on, when no overspeed detected on channel 1
3. green LED: on, when no overspeed detected on channel 2

Block Diagram

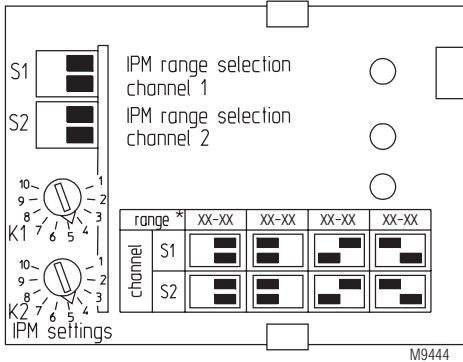


Circuit Diagram





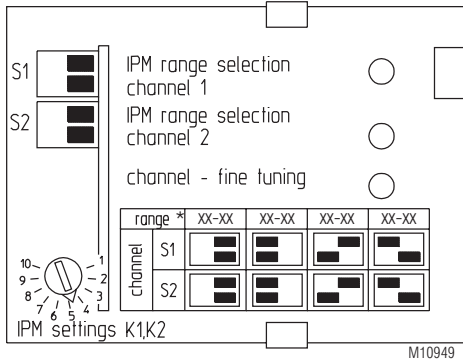
Model with separate adjustable channels



range* : 8-60 / 60-450 / 450-3600 / 1800-14000 lpm
 or 20-110 / 120-900 / 950-7000 / 3700-26000 lpm

Only operate switches while unit is disconnected

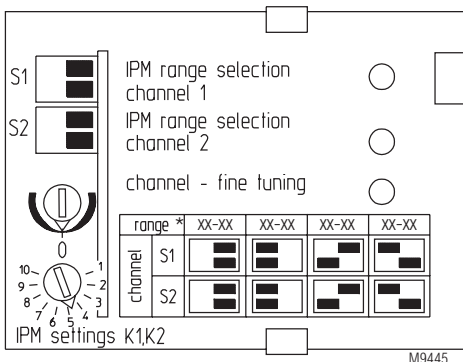
Model with common setting for both input channels



range* : 8-60 / 60-450 / 450-3600 / 1800-14000 lpm
 or 7-90 / 60-700 / 470-5500 / 1800-21000 lpm

Only operate switches while unit is disconnected

Model with common setting for both input channels and fine tuning to synchronise both channels



range* : 5-40 / 35-340 / 300-2700 / 1200-10500 lpm
 or 10-80 / 80-650 / 600-5300 / 2400-20000 lpm

Only operate switches while unit is disconnected

The device can be used for standstill and speed monitoring. All units have 2 sensing channels.

Variants

Three main variants are available:
 BH 5932.22/_ _0: Devices with fixed tripping value
 BH 5932.22/_ _2: Devices with separate adjustment for both channels
 BH 5932.22/_ _1: Devices with common adjustment for both channels
 BH 5932.22/_ _3: Devices with common adjustment for both channels and fine tuning to synchronise both channels

Setting ranges

On adjustable units the total range is split up in 4 sub ranges that can be selected with 2 DIP-switches per channel. To adjust the setting value in the selected range the potentiometers are used.

Adjustment of setting range

The number of pulses [lpm] to be adjusted can be calculated using the following formula:

$$\text{Rpm} \times \text{number of sensing spots} = \text{lpm}$$

e.g. 7.5 Rpm x 2 sensing spots = 15 lpm

Operation as standstill monitor

Both channels must be adjusted so that they switch simultaneously. The maximum time after standstill detection until switching of the output relays is depending on the adjusted lpm value. This delay can be calculated as follows:

$$\frac{60 \text{ s}}{\text{adjusted lpm-value}} + 2.5 \text{ s} = t_{vs}$$

t_{vs} = operate delay after standstill detection

e.g. at a setting of 15 lpm

$$\frac{60 \text{ s}}{15} + 2.5 \text{ s} = 6.5 \text{ s}$$

Operation as overspeed monitor

Especially on overspeed monitoring it is necessary to adjust both channels precisely on simultaneous switching. If the two channels switch not at the same time the disconnection of the drive is only made with the faster channel. The speed can drop immediately so that the slower channel does not detect overspeed and remains switched on. A new start is then disabled and the relay does not switch on again. A restart is only possible by disconnecting the power supply. To achieve an accurate setting the lpm setting value should be in the middle part of the setting range. The adjustment of simultaneous switching is easier on units with separate setting for each channel as on units with fine tuning potentiometer.

Proximity sensors

For safe operation the proximity sensors should be mounted vibration free. The position of the sensors should be chosen in a way that both sensors are operated simultaneously. Care must be taken that the sensors do not influence each other. The connection of the sensors to the supply is monitored. If there is an interruption in the sensor supply the corresponding output relay cannot be switched on, or if it is already on, it will switch off immediately. To achieve a fault free operation, the sensor must have draw at least 3 mA in off state. If sensors with lower consumption are used only devices without sensor detection can be operated. According to EN ISO 13849-1, the sensors must be checked for correct function in reasonable time intervals.

Feedback circuit, reset, LEDs and timing

The reset circuit X1 - X2 must be closed before connecting the power supply. The unit is ready for operation after typically 1.5 sec after the supply is connected.

The LEDs channel 1 and channel 2 are on when the corresponding relay is energized. The output contacts of the relays will only be activated if both input channels reach the enabling condition within a time span of approx. 2 sec. If the response value is not reached on both channels within this time, e.g. because of a defective sensor or because the sensors do not simultaneously switch the output contacts are not enabled.

Technical Data

Input

Nominal voltage U_N:	AC/DC 24 V AC 110, 230 V
Voltage range	
AC:	0.85 ... 1.1 U_N
DC:	0.9 ... 1.1 U_N
Nominal consumption:	approx. 4 VA, 2.5 W
Nominal frequency	50 / 60 Hz
Frequency range:	45 ... 65 Hz
Start up reset time t_{Res}:	1.5 s
Hysteresis:	typ. 6 %

Inputs for NPN- or optional PNP Proximity Sensors

Input voltage:	DC 24 V
Input current:	max. 25 mA (per channel)
Min. current of sensor	3 mA
Min. pulse time:	1 ms On, 1 ms Off
Max. lpm at inputs	
IN_A und IN_B:	30000 lpm

Speed Ranges [lpm]

Devices with fixed tripping value

BH 5932.22/_ _0:	15 / 30 / 60 / 120 lpm, fixed others on request (the output contacts close, when the speed is under the fixed lpm values)
Operate delay at standstill:	see formula
Release delay on overspeed:	t_{aus} = typ. 700 ms

Devices with separate adjustment for both channels

BH 5932.22/_ _2	
Range 8 ... 14000 lpm:	adjustable in 4 subranges 8 ... 60, 60 ... 450, 450 ... 3600, 1800 ... 14000 lpm
or	
range 20 ... 26000 lpm:	adjustable in 4 subranges 20 ... 110, 120 ... 900, 950 ... 7000, 3700 ... 26000 lpm
Operate delay at standstill:	see formula
Release delay on overspeed	
Range 8 ... 14000:	t_{off} = typ. 700 ms
Range 20 ... 26000:	t_{off} = typ. 350 ms

Devices with common adjustment for both channels

BH 5932.22/_ _1	
Range 8 ... 14000 lpm:	adjustable in 4 subranges 8 ... 60, 60 ... 450, 450 ... 3600, 1800 ... 14000 lpm oder
Range 7 ... 21000 lpm:	adjustable in 4 subranges 7 ... 90, 60 ... 700, 470 ... 5500, 1800 ... 21000 lpm
Operate delay at standstill:	see formula
Release delay on overspeed	
Range 8 ... 14000:	t_{aus} = typ. 700 ms
Range 7 ... 21000:	t_{aus} = typ. 350 ms

Devices with common adjustment for both channels and fine tuning to synchronise both channels

BH 5932.22/_ _3	
Range 5 ... 10500 lpm:	adjustable in 4 subranges 5 ... 40, 35 ... 340, 300 ... 2700, 1200 ... 10500 lpm
or	
range 10 ... 20000 lpm:	adjustable in 4 subranges 10 ... 80, 80 ... 650, 600 ... 5300, 2400 ... 20000 lpm
Operate delay at standstill:	see formula
Release delay on overspeed	
Range 5 ... 10500:	t_{off} = typ. 700 ms
Range 10 ... 20000:	t_{off} = typ. 350 ms

Technical Data

Output

Contacts:	2 NO, 1 NC
Contact type:	forcibly guided
Thermal current I_{th}:	4 A
Switching current:	AC: 8 A $\cos \varphi$ 1 ... 0.7
Switching capacity	
to AC 15	
NO contact:	3 A / AC 230 V IEC/EN 60 947-5-1
NC contact:	2 A / AC 230 V IEC/EN 60 947-5-1
nach DC 13	
NO contact:	1 A / DC 24 V IEC/EN 60 947-5-1
NC contact:	1 A / DC 24 V IEC/EN 60 947-5-1
according to DC 13	
NO contact:	4 A / DC 24 V at 0.1 Hz
NC contact:	4 A / DC 24 V at 0.1 Hz
Elektrical life	IEC/EN 60 947-5-1
to AC 15 at 2 A, AC 230 V:	$\geq 3 \times 10^5$ switching cycles
Short-circuit strength	
max. fuse rating:	4 A gL IEC/EN 60 947-5-1
Mechanical life:	$\geq 50 \times 10^6$ switching cycles

General Data

Operating mode:	Continuous operation
Temperature range	
operation:	- 25 ... + 60 °C
storage :	- 25 ... + 85 °C
altitude:	< 2.000 m
Clearance and creepage distances	
rated impuls voltage /	
pollution degree	IEC 60 664-1
Input / output	4 kV / 2
EMC	
Electrostatic discharge:	8 kV (Air) IEC/EN 61 000-4-2
HF irradiation:	10 V/m IEC/EN 61 000-4-3
Fast transients:	2 kV IEC/EN 61 000-4-4
Surge voltages	
between	
wires for power supply:	1 kV IEC/EN 61 000-4-5
between wire and ground:	2 kV IEC/EN 61 000-4-5
HF-wire guided:	10 V IEC/EN 61 000-4-6
Interference suppression:	Limit class B EN 55 011 at AC 24 V limit class A
Degree of protection	
Housing:	IP 40 IEC/EN 60 529
Terminals:	IP 20 IEC/EN 60 529
Housing:	Thermoplastic with V0 behaviour according to UL subject 94
Vibration resistance:	Amplitude 0.35 mm frequency 10 ... 55 Hz IEC/EN 60 068-2-6 20 / 060 / 04 IEC/EN 60 068-1
Climate resistance:	EN 50 005
Terminal designation:	
Wire connection:	1 x 4 mm ² solid or 1 x 2.5 mm ² stranded ferruled (isolated) or 2 x 1.5 mm ² stranded ferruled (isolated) DIN 46 228-1/-2/-3/-4 or 2 x 2.5 mm ² stranded ferruled DIN 46 228-1/-2/-3
Wire fixing:	Plus-minus terminal screws M3.5 box terminals with wire protection
Mounting:	DIN rail IEC/EN 60 715
Weight:	410 g
Dimensions	
Width x height x depth:	45 x 85 x 121 mm

Technical Data

Safety Related Data

Values according to EN ISO 13849-1:

Kategorie:	3	
PL:	e	
MTTF _d :	280.3	a (year)
DC / DC _{avg} :	99.0	%
d _{op} :	365	d/a (days/year)
h _{op} :	24	h/d (hours/day)
t _{Zyklus} :	3600	s/Zyklus
	≅ 1	/h (hour)

Values according to IEC/EN 62061 / IEC/EN 61508 / IEC/EN 61511:

SIL CL:	3	IEC/EN 62061
SIL:	3	IEC/EN 61508 / IEC/EN 61511
HFT:	1	
DC / DC _{avg} :	99.0	%
SFF:	99.7	%
PFH _D :	1.74E-10	h ⁻¹
PFD:	1.49E-05	
T _f :	20	a (year)

¹⁾ HFT = Hardware-Failure-Tolerance



The values stated above are valid for the standard type. Safety data for other variants are available on request.

The safety relevant data of the complete system has to be determined by the manufacturer of the system.

UL-Data

The safety functions were not evaluated by UL. Listing is accomplished according to requirements of Standard UL 508, "general use applications"

Switching capacity:

Ambient temperature 60°C:	Pilot duty B300
	4A 250Vac G.P.
	4A 24Vdc

Wire connection:

60°C / 75°C copper conductors only
AWG 20 - 12 Sol Torque 0.8 Nm
AWG 20 - 14 Str Torque 0.8 Nm



Technical data that is not stated in the UL-Data, can be found in the technical data section.

Standard Type

BH 5932.22/112	AC/DC 24 V	20 ... 26000 lpm
Article number:		0059482
BH 5932.22/112	AC/DC 24 V	8 ... 14000 lpm
Article number:		0059478
• Output:		2 NO, 1 NC contacts
• Nominal voltage U _N :		DC 24 V
• Input:		for pnp-sensors and with sensor detection
• Width:		45 mm

Variants

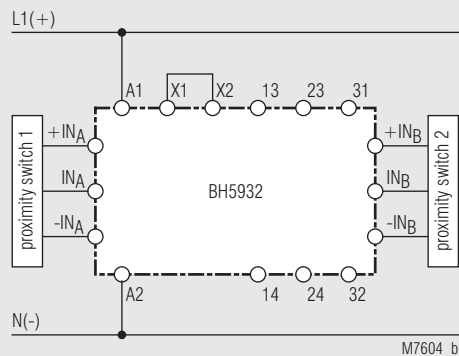
BH 5932.22/_/_/61: with UL-approval (Canada/USA)

Ordering example for variants

BH 5932 .22 / _ / _ /61 AC 230 V 50/60 Hz 60 lpm

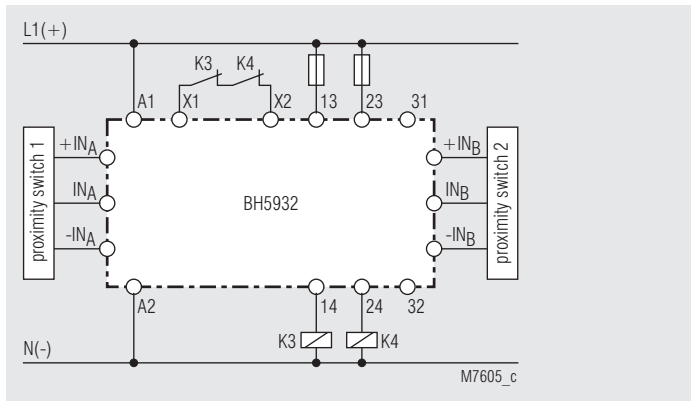
- Setting value
- Nominal frequency
- Nominal voltage
- UL approval
- Variants, if required
- 0 = fester Ansprechwert
- 1 = adjustable setting value channel 1 and 2 together adjustable
- 2 = adjustable setting value channel 1 and 2 separated adjustable
- 3 = adjustable setting value channel 1 and 2 together adjustable with fine tuning to synchronise both channels
- 0 = npn-input
- 1 = pnp-input
- 0 = without sensor detection
- 1 = with sensor detection
- Contacts
- Type

Connection Examples

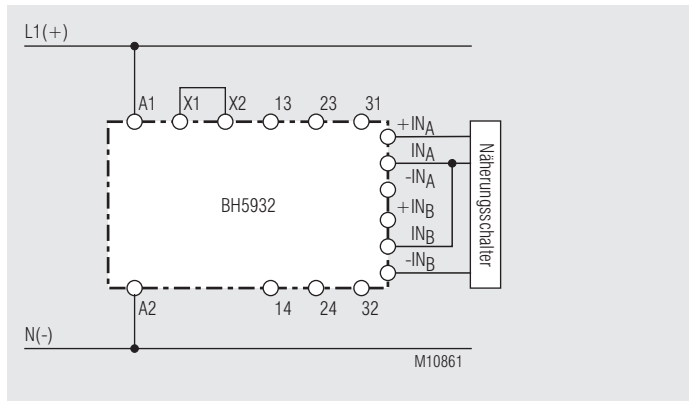


Standard connection suited up to SIL3, Performance Level e, Cat. 4

Connection Examples

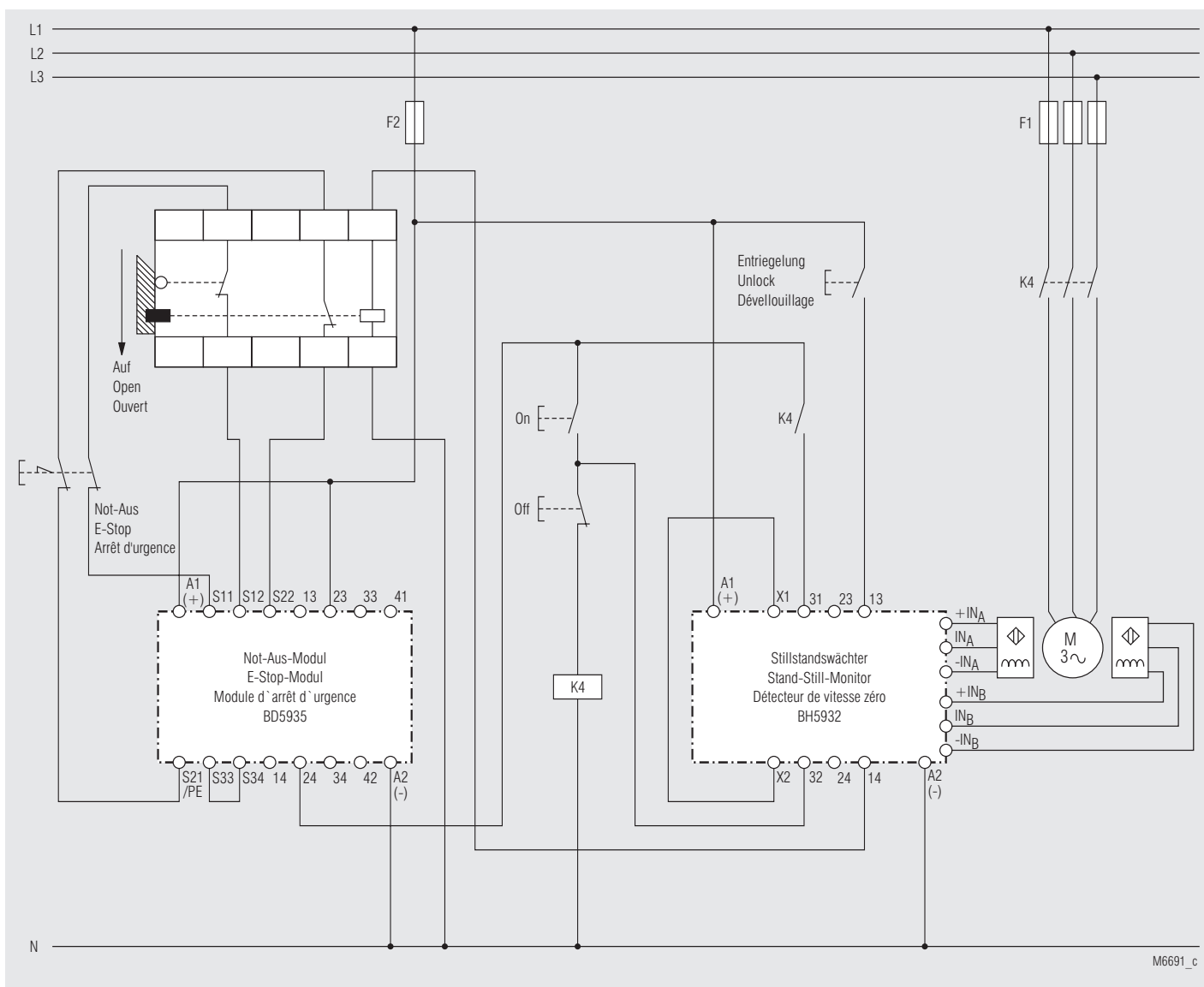


Connection with external contactors, suited up to SIL3, Performance Level e, Cat. 4

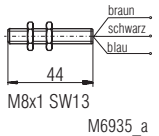
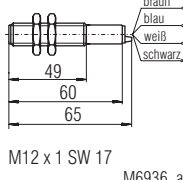
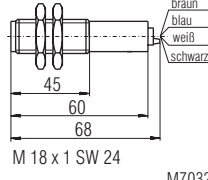
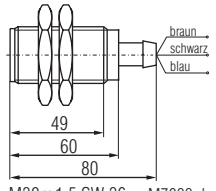


Connection with proximity sensors suited up to SIL3, Performance Level e, Cat. 4 (to achieve Cat. 2 the safety function has to be tested on a regulare base.)

Application Example



Initiators (proximity sensors), induktive

Type	NA 5001.01.10 pnp NA 5001.01.20 npn	NA 5002.01.34 pnp/npn	NA 5005.01.34 pnp/npn	NA 5010.01.10 pnp NA 5010.01.20 npn
Dimensions				
Enclosure	Metal	Metal	Metal	Metal
Switching distance S_n	1 mm	2 mm	5 mm	10 mm
Switching frequency	5 000 Hz	1 000 Hz	300 Hz	200 Hz
Hysteresis	2 ... 10 %			
Repeat accuracy	5 %			
Voltage range	10 ... 30 V			
Residual ripple	< 10 %			
Continuous current	≤ 200 mA	≤ 100 mA	≤ 100 mA	≤ 400 mA
Output	.10 pnp NO .20 npn NO	.34 pnp NO + npn NO	.34 pnp NO + npn NO	.10 pnp NO .20 npn NO
Indication of output state	LED			
Ambient temperature	- 25 ... 70°C			
Temperature influence	10 %			
Degree of protection	IP 67			
Connection wire	2 m			
Fixing torque	4 Nm	15 Nm	40 Nm	100 Nm
Weight	45 g	70 g	120 g	270 g

Connection Table BH 5932, BH 5932 / 00_

Type	Wire	Terminal on BH 5932
NA 5001.01.20	brown +	+ I_{n_A} / + I_{n_B}
	blue -	- I_{n_A} / - I_{n_B}
	black NO	I_{n_A} / I_{n_B}
NA 5002.01.34 NA 5005.01.34	brown +	+ I_{n_A} / + I_{n_B}
	blanc NO	I_{n_A} / I_{n_B}
	blue -	- I_{n_A} / - I_{n_B}
	black -	- I_{n_A} / - I_{n_B}
NA 5010.01.20	brown +	+ I_{n_A} / + I_{n_B}
	blue -	- I_{n_A} / - I_{n_B}
	black NO	I_{n_A} / I_{n_B}

Connection Table BH 5932, BH 5932 / 01_

Type	Wire	Terminal on BH 5932
NA 5001.01.10	brown +	+ I_{n_A} / + I_{n_B}
	blue -	- I_{n_A} / - I_{n_B}
	black NO	I_{n_A} / I_{n_B}
NA 5002.01.34 NA 5005.01.34	brown +	+ I_{n_A} / + I_{n_B}
	blanc +	+ I_{n_A} / + I_{n_B}
	blue -	- I_{n_A} / - I_{n_B}
	black NO	I_{n_A} / I_{n_B}
NA 5010.01.10	brown +	+ I_{n_A} / + I_{n_B}
	blue -	- I_{n_A} / - I_{n_B}
	black NO	I_{n_A} / I_{n_B}


ATTENTION!

Only the initiators NA5001.01.10, NA5001.01.20, NA5010.01.10 and NA5010.01.20 are usable for units with initiator-detection (BH 5932.22/1xx) !

Mouser Electronics

Authorized Distributor

Click to View Pricing, Inventory, Delivery & Lifecycle Information:

[Altech:](#)

[DOLD 62619](#)

Данный компонент на территории Российской Федерации

Вы можете приобрести в компании MosChip.

Для оперативного оформления запроса Вам необходимо перейти по данной ссылке:

<http://moschip.ru/get-element>

Вы можете разместить у нас заказ для любого Вашего проекта, будь то серийное производство или разработка единичного прибора.

В нашем ассортименте представлены ведущие мировые производители активных и пассивных электронных компонентов.

Нашей специализацией является поставка электронной компонентной базы двойного назначения, продукции таких производителей как XILINX, Intel (ex.ALTERA), Vicor, Microchip, Texas Instruments, Analog Devices, Mini-Circuits, Amphenol, Glenair.

Сотрудничество с глобальными дистрибьюторами электронных компонентов, предоставляет возможность заказывать и получать с международных складов практически любой перечень компонентов в оптимальные для Вас сроки.

На всех этапах разработки и производства наши партнеры могут получить квалифицированную поддержку опытных инженеров.

Система менеджмента качества компании отвечает требованиям в соответствии с ГОСТ Р ИСО 9001, ГОСТ РВ 0015-002 и ЭС РД 009

Офис по работе с юридическими лицами:

105318, г.Москва, ул.Щербаковская д.3, офис 1107, 1118, ДЦ «Щербаковский»

Телефон: +7 495 668-12-70 (многоканальный)

Факс: +7 495 668-12-70 (доб.304)

E-mail: info@moschip.ru

Skype отдела продаж:

moschip.ru

moschip.ru_4

moschip.ru_6

moschip.ru_9