

# IDS31-230W

Fully configurable, high-reliability, rugged display solution with choice of brightness, touch and video input 23" Industrial Open Frame Monitor

NEW



## Features

- 23" LCD wide screen panel with LED backlight for long service life
- Wide operating temperature 0 ~ +50° C for broad range of applications
- High brightness 300 cd/m<sup>2</sup>
- Mechanical formats : open frame with VESA standard mounting (Optional : closed frame)
- Configurable Options :
  - Brightness 300 cd/m<sup>2</sup>
  - Viewing angle 89°/89°/89°/89°
  - Mechanical housing
  - VGA,DVI (Optional : HDMI or DisplayPort)
- Touch Options (USB and/or RS232 input) :
  - Projected Capacitive Touch (Optional : 5-Wire Resistive or SAW Touch)



## Introduction

The IDS31-230W is a fully configurable, flexible display solution, able to be specified in a variety of screen brightness's, touch technologies and video inputs including displayport. The product can be specified in a number of compact mechanical constructions meeting all mounting demands, delivering complete flexibility in product design. All products have been designed to meet the demands of the industrial market and have leading in service performance characteristics guaranteed by 100% product burn-in and the service back up of the global Advantech corporation.

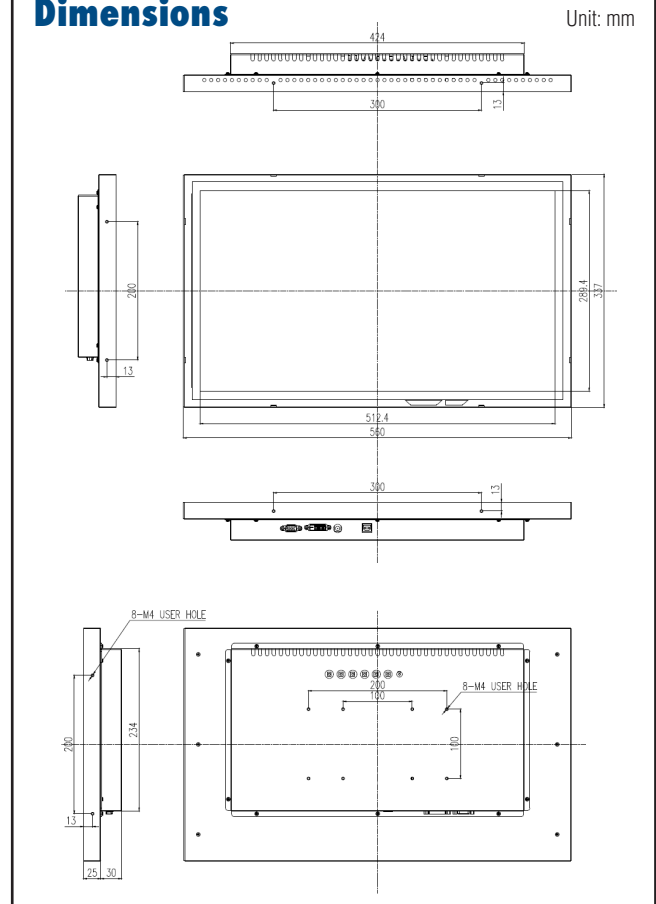
## Typical Applications

- Casino and gaming
- Industrial controls
- Kiosks and point of sale
- Remote signage and public information
- Transportation

## Specifications

Display Features	Spec	Notes
Model	IDS31-230W	
Backlight	LED + IPS	Light source
Resolution	1920x1080	Native resolution. Other resolutions supported by A/D card scaling
Brightness	300 cd/m <sup>2</sup>	Measured at typical operating voltage
Viewing Angle	89°/89°/89°/89°	Left/Right/Up/Down
Surface Treatment	7H	MoHS/Anti glare
Contrast Ratio	1000:1	In laboratory measurement conditions
Max Colors	264K/16.2m	6/8 bit per colour
Response Time	14 ms	Typical
Backlight Lifetime	30,000 hours	Typ. time to half brightness in room temperature operation

## Dimensions



## Touch Screen Options

Type 23.0" wide screen	Cover glass (CG)	Analogue Resistive (AR)	Surface Acoustic Wave (SAW)	Surface Capacitive (SCAP)	Projected Capacitive (PCT)	Infra-red (IR)	Multi-touch
	<input checked="" type="checkbox"/>	<input checked="" type="checkbox"/>	<input checked="" type="checkbox"/>	<input type="checkbox"/>	<input checked="" type="checkbox"/>	<input type="checkbox"/>	<input checked="" type="checkbox"/>
Construction	3.2mm heat strengthened glass	ITO film to ITO coated glass	4mm pure glass sensor	Hard coat ITO pure glass	ITO film/film with Chemical strengthened glass	3mm tempered glass with infrared sensor	Either PCT or IR
Surface Durability (no of touches)	7H	3H	7H	<4H	<4H	7H	-
Touches	-	> 1m	>5m	>1m	>1m	>1m	-
Transparency	0	1	1	1	1/2/10/30	1040g/63.5mm	-
Drop Ball	93±2%	81%	90±5%	91±1.5%	82%	-	-
Drop Ball	500g / 50cm	227g/38Φ steel ball from 80cm height	1040g / 90cm	UL60950 (Tough touch only)	227g/38Φ steel ball from 80cm height	1040g/63.5mm ball dropped from height of 1.0m	227g/38Φ steel ball from 80cm height
Added thickness (typ.)	4/5/6/10/12mm	1.8mm	6mm	8mm	3/4/5/6m	See drawing	See drawing
Custom Options	AR coating Optical bonding	Optical bonding	Dustproof, Waterproof, Antiglare, Safe touch	Optical bonding, Tough touch	AR coating, Glass painting, Customer logo, 10point touch (21.5", 23", 24"), Optical bonding	2point, AR coating, Optical bonding	Extended cover glass Back printing Whole cutting

## System/Electrical Features

System / Electrical	Spec	Unit / Notes
Power Consumption	38.0W	Typical consumption at standard brightness and temperature
Power Supply	12V / 3.5A	External DC power brick (included) Input voltage-DC +12V +/-5% @ 2.5A max Power connector: DC jack
Video Input (available options)	v VGA v DVI HDMI COMPOSITE USB DisplayPort	Native resolution. Other resolutions supported by A/D card scaling
On-screen Display (OSD)	5- keys Menu Functions	Menu / up / down / enter / Power ON-OFF Brightness, Contrast, Screen Setting, Colour Temp, Language OSD Settings, VGA/DVI, Recall, Auto Adjust
Custom BIOS options		

## Mechanical Features

Mechanical	Spec	Notes
Overall size	560 x 337 x 55 mm	Including open frame, closed frame and proflat formats
Active Area Size	512.4 (H) x 289.4 (V) mm	
Case / Bezel color	Zintec / Black power coat	Custom colour and finishes available
Weight	8.0kg	Typ .inc touch
VESA Mounting Options:	75 x 75 v 100 x 100 v 100 x 200 Brackets for panel mount	For User defined mounting requirements contact rep

## Environmental Features

Environmental	Spec
Operating Temp	0 to 50° C
Storage Temp	-20 to 60° C
Humidity	90% RH
Vibration	5-500Hz, 0.026G/Hz, 2.16 Grms, X, Y, Z. 1hr per axis
Agency Approvals	CE, FCC, RoHS

## Ordering Information

Model Name	Description
IDS31-230WP30DVA1E	23" wide screen, industrial open-frame monitor with PCT multi-touch touchscreen, 300CD/m <sup>2</sup> brightness, VGA&DVI input

All Advantech monitors are configurable to order. Use [www.advantech.com](http://www.advantech.com) for guidance on versions, pricing and deliver for all models

## Accessory Package

- Power supply (110V-240V), UK/EU/US power cord, VGA cable, DVI cable, USB cable (USB for touch option)

## Данный компонент на территории Российской Федерации

### Вы можете приобрести в компании MosChip.

Для оперативного оформления запроса Вам необходимо перейти по данной ссылке:

<http://moschip.ru/get-element>

Вы можете разместить у нас заказ для любого Вашего проекта, будь то серийное производство или разработка единичного прибора.

В нашем ассортименте представлены ведущие мировые производители активных и пассивных электронных компонентов.

Нашей специализацией является поставка электронной компонентной базы двойного назначения, продукции таких производителей как XILINX, Intel (ex.ALTERA), Vicor, Microchip, Texas Instruments, Analog Devices, Mini-Circuits, Amphenol, Glenair.

Сотрудничество с глобальными дистрибьюторами электронных компонентов, предоставляет возможность заказывать и получать с международных складов практически любой перечень компонентов в оптимальные для Вас сроки.

На всех этапах разработки и производства наши партнеры могут получить квалифицированную поддержку опытных инженеров.

Система менеджмента качества компании отвечает требованиям в соответствии с ГОСТ Р ИСО 9001, ГОСТ РВ 0015-002 и ЭС РД 009

### Офис по работе с юридическими лицами:

105318, г.Москва, ул.Щербаковская д.3, офис 1107, 1118, ДЦ «Щербаковский»

Телефон: +7 495 668-12-70 (многоканальный)

Факс: +7 495 668-12-70 (доб.304)

E-mail: [info@moschip.ru](mailto:info@moschip.ru)

Skype отдела продаж:

moschip.ru

moschip.ru\_4

moschip.ru\_6

moschip.ru\_9